



US00D368908S

United States Patent [19]

[11] **Patent Number: Des. 368,908**

Ikenaga

[45] **Date of Patent: **Apr. 16, 1996**

[54] **OPTICAL AND MAGNETIC DISC RECORDER**

[75] Inventor: **Takashi Ikenaga**, Tokyo, Japan

[73] Assignee: **Sony Corporation**, Tokyo, Japan

[**] Term: **14 Years**

[21] Appl. No.: **32,770**

[22] Filed: **Dec. 27, 1994**

[30] **Foreign Application Priority Data**

Jun. 29, 1994 [JP] Japan 6-18968

[52] **U.S. Cl.** **D14/156**; D14/260; D14/136; D14/167

[58] **Field of Search** D14/136, 156, D14/160, 161, 163, 167, 168, 260, 299; 369/75.1, 75.2, 77.1, 77.2, 213, 270

[56] **References Cited**

U.S. PATENT DOCUMENTS

D. 341,140	11/1993	Uehara	D14/168
D. 341,590	11/1993	Hosaka	D14/156
D. 341,591	11/1993	Nakamura	D14/156
D. 357,014	4/1995	Uehara	D14/156
4,539,671	9/1985	Higashihara	369/270
4,914,647	4/1990	Ono et al.	369/270
5,309,421	5/1994	Fujisawa	369/75.1

OTHER PUBLICATIONS

Sony Style Spring/Summer 1993 catalog p. 205 mini disc player/recorder.

Primary Examiner—Sandra L. Morris
Attorney, Agent, or Firm—Beveridge, DeGrandi, Weilacher & Young

[57] **CLAIM**

The ornamental design for an optical and magnetic disc recorder, as shown and described.

DESCRIPTION

FIG. 1 is a perspective view of the optical and magnetic disc recorder showing my new design;

FIG. 2 is a front elevational view of the optical and magnetic disc recorder;

FIG. 3 is a rear elevational view of the optical and magnetic disc recorder;

FIG. 4 is a top plan view of the optical and magnetic disc recorder;

FIG. 5 is a bottom plan view of the optical and magnetic disc recorder;

FIG. 6 is a left elevational view of the optical and magnetic disc recorder;

FIG. 7 is a right elevational view of the optical and magnetic disc recorder;

FIG. 8 is a perspective view of the optical and magnetic disc recorder in the open position;

FIG. 9 is a perspective view of another embodiment of the optical and magnetic disc recorder showing my new design;

FIG. 10 is a top plan view of the embodiment of FIG. 9;

FIG. 11 is a bottom plan view of the embodiment of FIG. 9;

FIG. 12 is a front elevational view of the embodiment of FIG. 9;

FIG. 13 is a rear elevational view of the embodiment of FIG. 9;

FIG. 14 is a left elevational view of the embodiment of FIG. 9; and,

FIG. 15 is a right elevational view of the embodiment of FIG. 9.

1 Claim, 6 Drawing Sheets

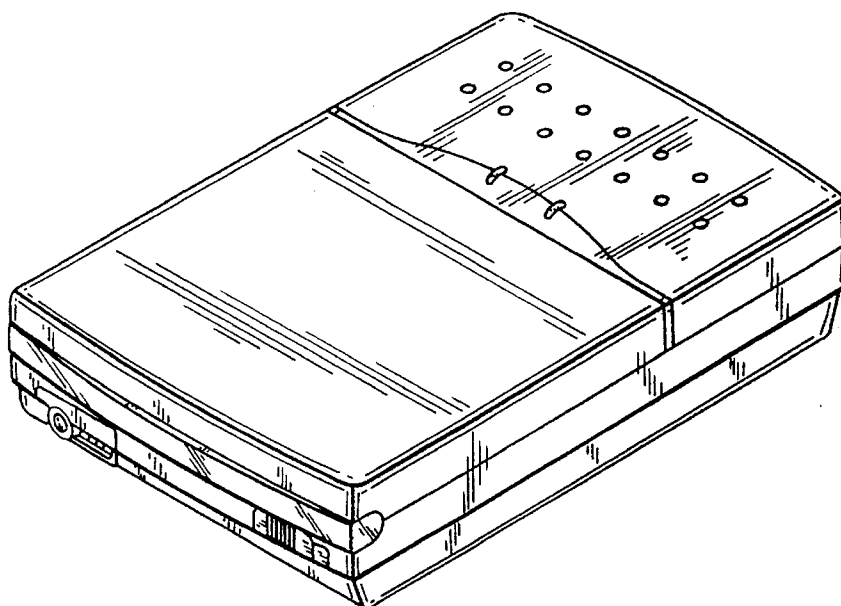


FIG. 1

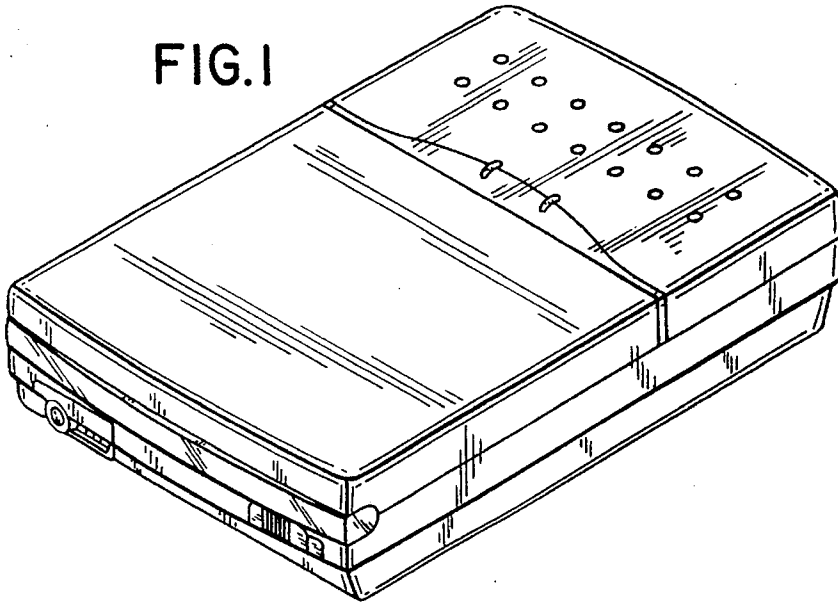


FIG. 2

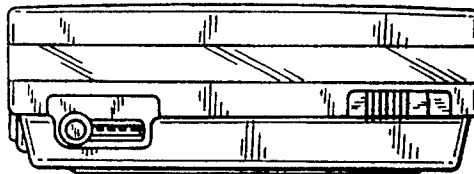


FIG. 3

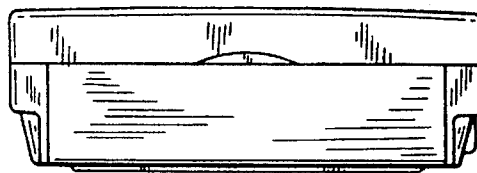


FIG. 4

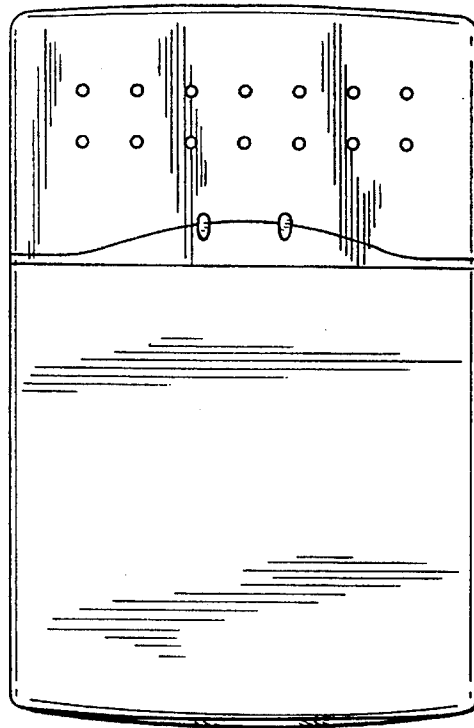


FIG. 5

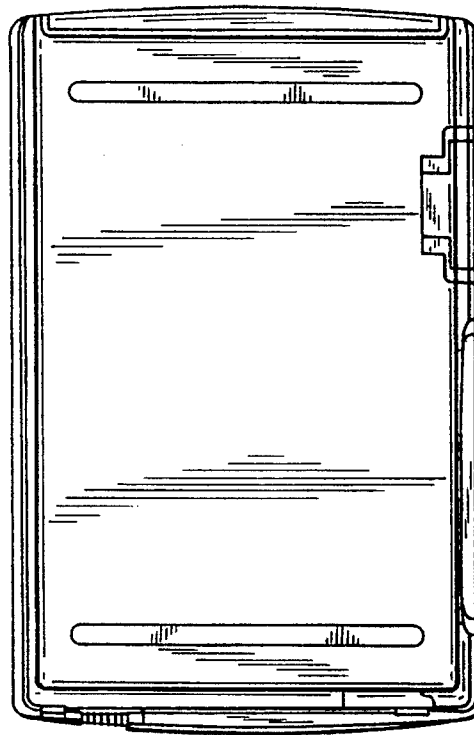


FIG.6

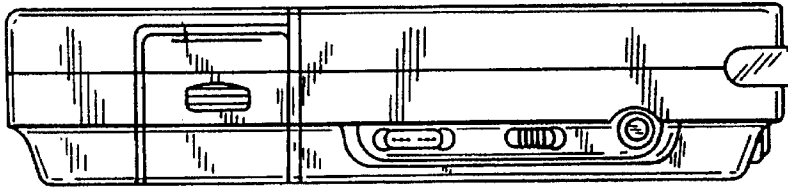


FIG.7

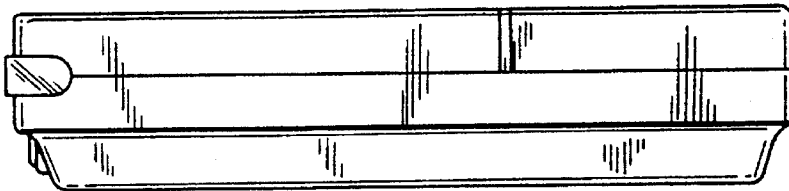


FIG.8

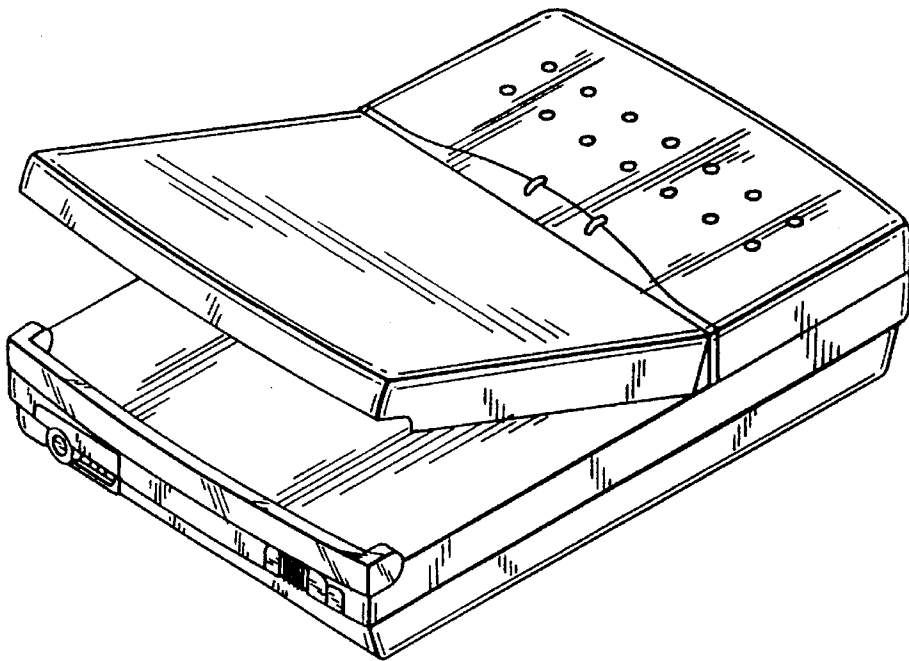


FIG.9

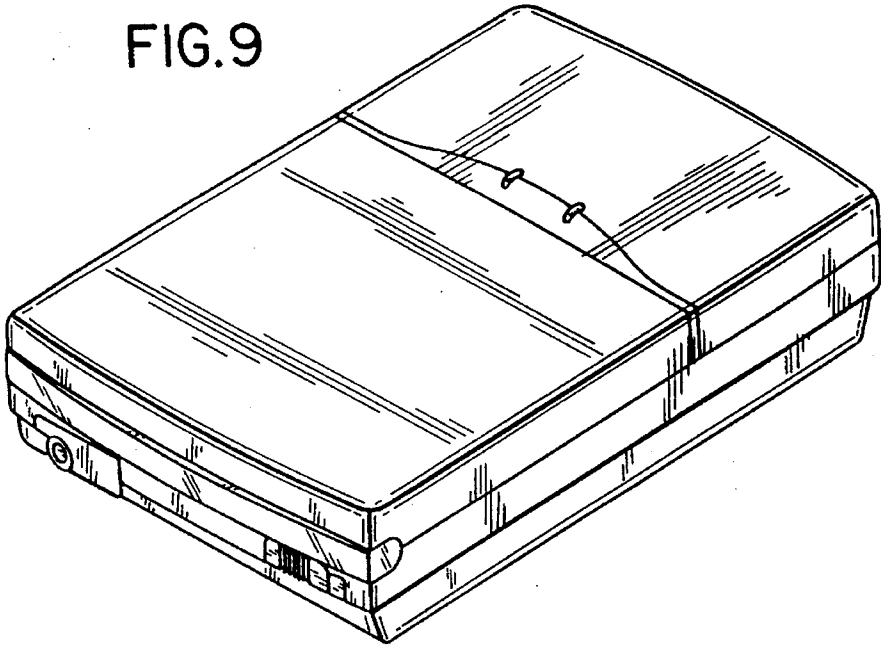


FIG.10

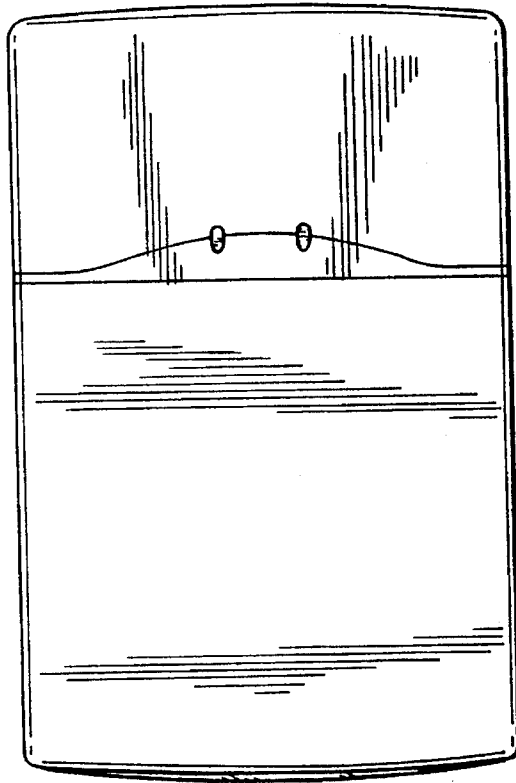


FIG.11

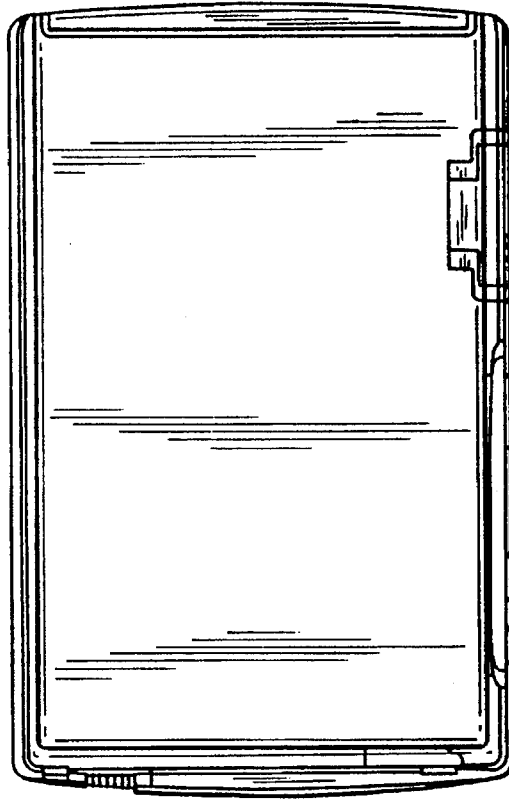


FIG.12

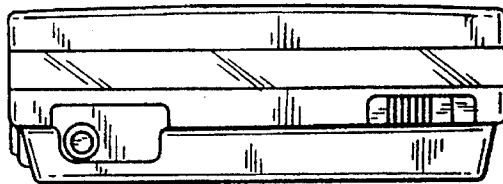


FIG.13

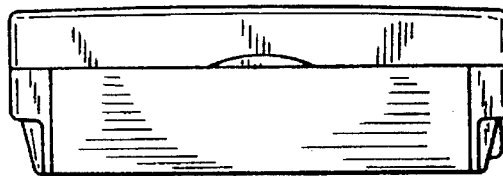


FIG.14

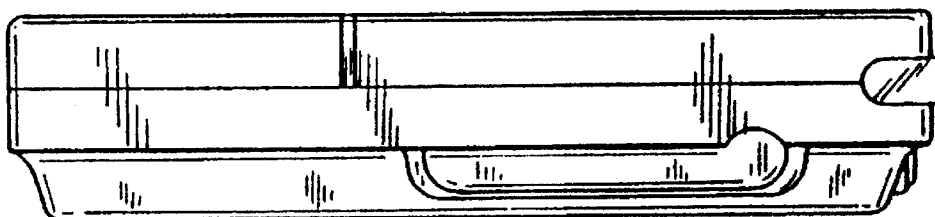


FIG.15

