

MZ-R55

SERVICE MANUAL

Self Diagnosis
Supported model

Ver 1.5 2001. 01
With SUPPLEMENT-1
(9-924-964-85)



US Model
Canadian Model
AEP Model
UK Model
E Model
Australian Model
Tourist Model

US and foreign patents licensed from Dolby Laboratories Licensing Corporation.

Model Name Using Similar Mechanism	NEW
MD Mechanism Type	MT-MZR55-161
Optical Pick-up Type	KMS-280A

SPECIFICATIONS

System

Audio playing system
MiniDisc digital audio system
Laser diode properties
Material: GaAlAs
Wavelength: $\lambda = 780 \text{ nm}$
Emission duration: continuous
Laser output: less than $44.6 \mu\text{W}$
(This output is the value measured at a distance of 200 mm from the lens surface on the optical pick-up block with 7 mm aperture.)
Recording and playback time
Maximum 74 minutes (MDW-74, stereo recording)
Maximum 148 minutes (MDW-74, monaural recording)
Revolutions
400 rpm to 900 rpm (CLV)
Error correction
Advanced Cross Interleave Reed Solomon Code (ACIRC)
Sampling frequency
44.1 kHz
Sampling rate converter
Input: 32 kHz / 44.1 kHz / 48 kHz
Coding
Adaptive TRansform Acoustic Coding (ATRAC)
Modulation system
EFM (Eight to Fourteen Modulation)
Number of channels
2 stereo channels
1 monaural channel

Frequency response

20 to 20,000 Hz $\pm 3 \text{ dB}$

Wow and Flutter

Below measurable limit

Inputs

Microphone: stereo mini-jack, 0.22-0.78 mV

Line in: stereo mini-jack, 69-194 mV

Optical (Digital) in: optical (digital) mini-jack

Outputs

Headphones: stereo mini-jack, maximum

output level 5 mW+ 5 mW, load impedance

16 ohm

Line out: stereo mini-jack, 194 mV, load

impedance 10 kilohm

General

Power requirements

Sony AC Power Adaptor (supplied)

connected at the DC IN 3V jack:

120 V AC, 60 Hz (US model)

220-240 V AC, 50/60 Hz (Hong Kong model)

100-240 V AC, 50/60 Hz (Tourist model)

Nickel metal hydride rechargeable battery NH-14WM (supplied)

Two LR6 (size AA) alkaline batteries (not supplied)

– Continued on next page –

PORTABLE MINIDISC RECORDER



SONY®

Battery operation time

Batteries	Recording	Playback
NH-14WM nickel metal hydride rechargeable battery	Approx. 2.5 hours	Approx. 4 hours
Two LR6 (SG) Sony alkaline dry batteries	Approx. 5 hours	Approx. 10 hours
NH-14WM + Two LR6 (SG)	Approx. 9.5 hours	Approx. 16 hours

Dimensions

Approx. 78.9 × 18.9 × 84 mm (w/h/d)
(3 1/8 × 3/4 × 3 3/8 in.)

Mass

Approx. 147 g (5.2 oz) the recorder only

Approx. 190 g (6.7 oz) incl. a recordable MD, and NH-14WM nickel metal hydride rechargeable battery

Supplied accessories

AC power adaptor AC-MZR55 (1)

Headphones with a remote control

MDR-A34SP (US model)/MDR-E838SP (Hong Kong, Tourist model)

and RM-MZR55 (1)

NH-14WM nickel metal hydride rechargeable battery (1)

Dry battery case (1)

Rechargeable battery carrying case (1)

Carrying pouch (1)

AC plug adaptor (1) (Tourist model only)

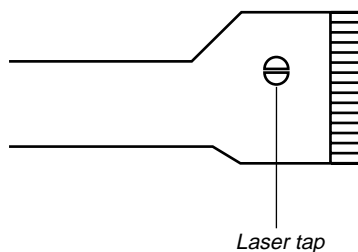
Design and specifications are subject to change without notice.

Precautions for Laser Diode Emission Check

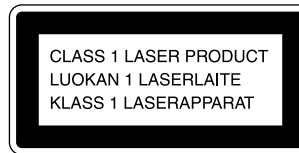
When checking the emission of the laser diode during adjustments, never view directly downwards as this may lead to blindness.

Precautions for Using Optical Pick-up (KMS-280A)

As the laser diode inside the optical pick-up damages by static electricity easily, solder the laser tap of the Optical pick-up flexible board when handling. Also take the necessary measures to prevent damages by static electricity. Handle the Optical pick-up flexible board with care as it breaks easily.



Optical Pick-up flexible board



This MiniDisc player is classified as a CLASS 1 LASER product. The CLASS 1 LASER PRODUCT label is located on the bottom exterior.

IN NO EVENT SHALL SELLER BE LIABLE FOR ANY DIRECT, INCIDENTAL OR CONSEQUENTIAL DAMAGES OF ANY NATURE, OR LOSSES OR EXPENSES RESULTING FROM ANY DEFECTIVE PRODUCT OR THE USE OF ANY PRODUCT.

“MD WALKMAN” is a trademark of Sony Corporation.

CAUTION

Use of controls or adjustments or performance of procedures other than those specified herein may result in hazardous radiation exposure.

Flexible Circuit Board Repairing

- Keep the temperature of the soldering iron around 270°C during repairing.
- Do not touch the soldering iron on the same conductor of the circuit board (within 3 times).
- Be careful not to apply force on the conductor when soldering or unsoldering.

Notes on chip component replacement

- Never reuse a disconnected chip component.
- Notice that the minus side of a tantalum capacitor may be damaged by heat.

SAFETY-RELATED COMPONENT WARNING!!

COMPONENTS IDENTIFIED BY MARK \triangle OR DOTTED LINE WITH MARK \triangle ON THE SCHEMATIC DIAGRAMS AND IN THE PARTS LIST ARE CRITICAL TO SAFE OPERATION. REPLACE THESE COMPONENTS WITH SONY PARTS WHOSE PART NUMBERS APPEAR AS SHOWN IN THIS MANUAL OR IN SUPPLEMENTS PUBLISHED BY SONY.

ATTENTION AU COMPOSANT AYANT RAPPORT À LA SÉCURITÉ!!

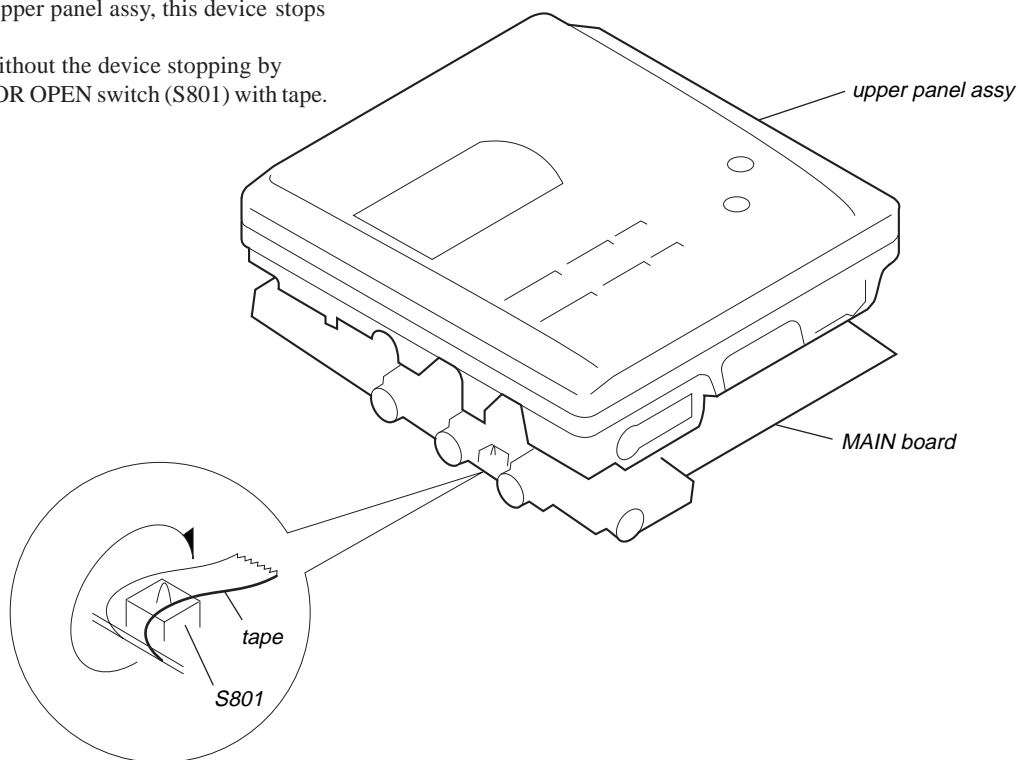
LES COMPOSANTS IDENTIFIÉS PAR UNE MARQUE \triangle SUR LES DIAGRAMMES SCHÉMATIQUES ET LA LISTE DES PIÈCES SONT CRITIQUES POUR LA SÉCURITÉ DE FONCTIONNEMENT. NE REMPLACER CES COMPOSANTS QUE PAR DES PIÈCES SONY DONT LES NUMÉROS SONT DONNÉS DANS CE MANUEL OU DANS LES SUPPLÉMENTS PUBLIÉS PAR SONY.

TABLE OF CONTENTS

<p>1. GENERAL 4</p> <p>2. SELF-DIAGNOSTIC</p> <p>2-1. General 5</p> <p>2-2. Test Mode Setting 5</p> <p>2-3. Operation in Test Mode Setting 5</p> <p>2-4. Releasing the Test Mode 5</p> <p>2-5. Self-Diagnostic Mode 5</p> <p>2-6. Clearing the Error Indication Code and Total Recording Time 6</p> <p>3. DISASSEMBLY</p> <p>3-1. Bottom Panel Assy 7</p> <p>3-2. Connector 7</p> <p>3-3. Upper Panel Block Assy 8</p> <p>3-4. LCD Block Assy 8</p> <p>3-5. Ornamental Belt Block Assy 9</p> <p>3-6. Main Board 9</p> <p>3-7. Chassis (Main) Assy 10</p> <p>3-8. OP Block Assy 10</p> <p>3-9. Holder Assy 11</p>	<p>4. TEST MODE</p> <p>4-1. General 12</p> <p>4-2. Test Mode Setting 12</p> <p>4-3. Test Mode Structure 12</p> <p>4-4. Manual Mode 12</p> <p>4-5. Overall Adjustment Mode 15</p> <p>4-6. Hybrid Mode, Key Check Mode 16</p> <p>5. ELECTRICAL ADJUSTMENTS 17</p> <p>6. DIAGRAMS</p> <p>6-1. IC Pin Descriptions 21</p> <p>6-2. Block Diagram – Servo Section – 25</p> <p>6-3. Block Diagram – Audio Section – 27</p> <p>6-4. Block Diagram – System Control Section – 29</p> <p>6-5. Printed Wiring Board (-11) 31</p> <p>6-6. Printed Wiring Board (-12) 34</p> <p>6-7. Printed Wiring Board (-13) 37</p> <p>6-8. Schematic Diagram – Main Section (1/3) – 40</p> <p>6-9. Schematic Diagram – Main Section (2/3) – 43</p> <p>6-10. Schematic Diagram – Main Section (3/3) – 46</p> <p>7. EXPLODED VIEWS</p> <p>7-1. Panel Section 54</p> <p>7-2. Chassis Section 55</p> <p>7-3. Mechanism Deck Section 56</p> <p>8. ELECTRICAL PARTS LIST 57</p>
---	---

SERVICING NOTE

- 1) When repairing this device with the power on, if you remove the main board or open the upper panel assy, this device stops working.
In this case, you can work without the device stopping by fastening the hook of the DOOR OPEN switch (S801) with tape.



- 2) This set is designed to perform automatic adjustment for each adjustment and write its value to EEPROM. Therefore, when EEPROM (IC801) has been replaced in service, be sure to perform automatic adjustment and write resultant values to the new EEPROM.
Refer to page 12 for details.

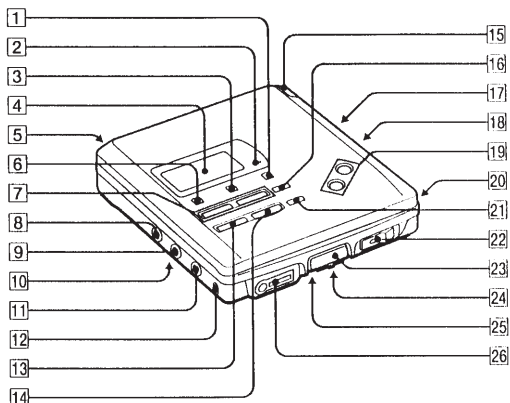
SECTION 1 GENERAL

This section is extracted from instruction manual.

Looking at the controls

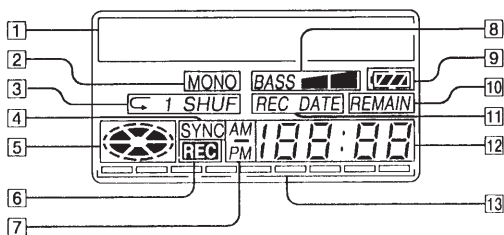
See pages in () for more details.

The recorder



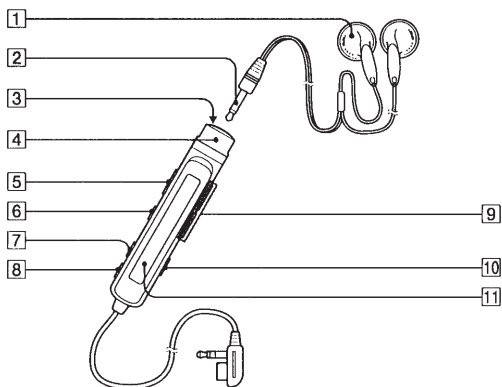
- 1 END SEARCH button (7)
- 2 REC indicator (14)
- 3 DISPLAY button (14, 19)
- 4 Display window (14, 19)
- 5 DC IN 3V jack (at the rear) (6)
- 6 MODE button (17)
- 7 **⏪** / **⏩** (search / AMS) button (7, 9)
- 8 LINE IN (OPTICAL) jack (6, 11)
- 9 MIC (PLUG IN POWER) jack (12)
- 10 MIC SENS switch (at the bottom) (12)
- 11 LINE OUT jack (20)
- 12 DIGITAL MEGA BASS button (18)
- 13 **■** / CHARGE button (7, 9, 27)
- 14 **▶** (play) button (7, 9)
- 15 Battery compartment (at the rear) (27)
- 16 EDIT/ENTER button (21)
- 17 AVLS switch (at the bottom) (18)
- 18 SYNCHRO REC (synchro-recording) switch (11)
- 19 VOLUME +/- button (9)
- 20 T MARK button (21)
- 21 **||** (pause) button (7, 9)
- 22 REC (record) switch (7)
- 23 OPEN button (6)
- 24 HOLD switch (20)
- 25 CLOCK SET button (at the bottom) (16)
- 26 **🎧** (headphones)/REMOTE jack (8)

The display window



- 1 Character information display (14, 19)
Displays the disc and track names, date, error messages, track numbers, etc.
- 2 MONO (monaural) indication
- 3 Play mode indication
Shows the play mode of the MD.
- 4 SYNC (synchro-recording) indication
- 5 Disc indication
Shows that the disc is rotating for recording, playing or editing an MD.
- 6 REC indication (7)
Lights up while recording. When flashing, the recorder is in record standby mode.
- 7 AM/PM indication (16)
Lights up along with the time indication in the 12-hour system.
- 8 Mega bass indication (18)
- 9 Battery indication (27)
Shows battery condition.
- 10 REMAIN (remaining time/tracks) indication (14, 19)
Lights up along with the remaining time of the track, the remaining time of the MD, or the remaining number of tracks.
- 11 REC DATE (recorded/current date) indication
Lights up along with the date and time the MD was recorded. When only "DATE" lights up, the current date and time are displayed.
- 12 Time display (14, 19)
Shows the recorded time, current time, elapsed time of the track or MD being recorded or played.
- 13 Level meter
Shows the volume of the MD being played or recorded.

The headphones with a remote control



- 1 Headphones
Can be replaced with optional headphones.
- 2 Stereo mini plug
- 3 **■** (stop) button (7,9)
- 4 Control (9)
To play, turn to **▶▶▶▶** during stop. Turn to **▶▶▶▶** during play to search the beginning of the succeeding track; hold in this position to fast-forward. Turn to **⏪** during play to search the beginning of the preceding track; hold in this position to rewind.
- 5 HOLD switch (20)
Slide to lock the controls of the remote control.
- 6 **||** (pause) button (7,9)
- 7 PLAY MODE button (17)
- 8 DISPLAY button (15, 19)
- 9 VOL (volume) +/- buttons (9)
- 10 TRACK MARK button (22)
- 11 Display window (15, 19)

SECTION 2 SELF-DIAGNOSTIC

2-1. GENERAL

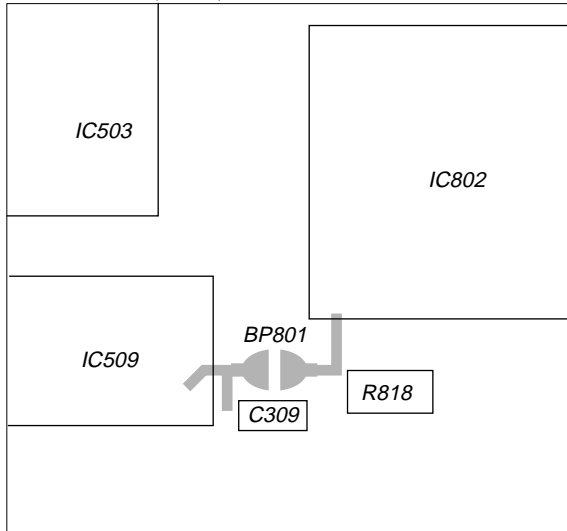
This set uses the self-diagnostic system in which if an error occurs in playback/recording mode, the error is detected by the model control and power control blocks of the microprocessor and information on the cause is stored as history in EEPROM. By viewing this history in test mode, it helps you to analyze a fault and determine its location.

2-2. TEST MODE SETTING

There are two different methods to set the test mode:

- ① Short BP801 (TEST) on the main board with a solder bridge (connect pin ②6 of IC801 to the ground). Then, turn on the power.

– main board (side B) –

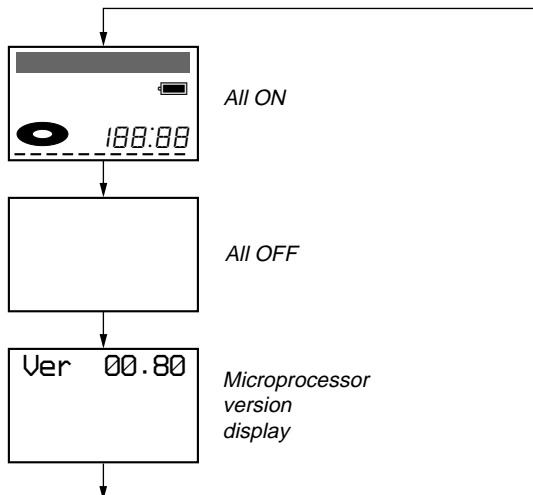


- ② In the normal mode, use the keys on the unit to perform the following operations:
Press and hold down and press the keys below in this turn:
 → → → → → → → → → →

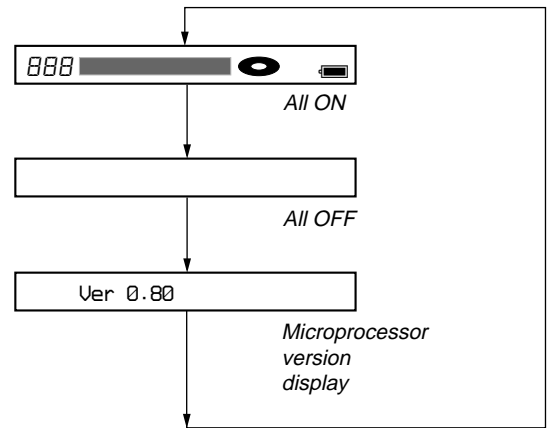
2-3. OPERATION IN TEST MODE SETTING

When the test mode is set, the LCD shows repeated cycles of the following display:

- 1) Unit LCD



- 2) Remote controller LCD



- Holding down allows the current display to be maintained while it being depressed.

2-4. RELEASING THE TEST MODE

For test mode set with the method ①:

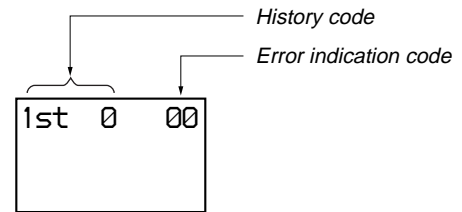
Turn off the power and open the solder bridge on BP801 on the main board.

For test mode set with the method ②:

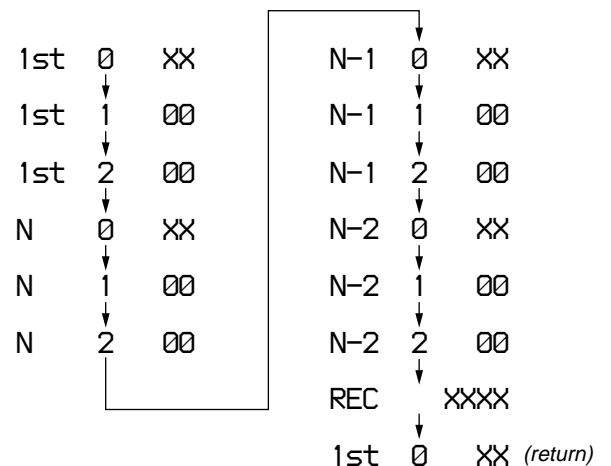
Turn off the power.

2-5. SELF-DIAGNOSTIC MODE

1. Go into the test mode.
2. With the unit LCD indicators all flashing, press key to go into the self-diagnostic mode.



3. Then, each time key is pressed, the reference information display changes as given below.



- Press key to go back to the previous display.

• Description of History Codes

History code number	Description
1st 0	The first error
1st 1	00 indicated
1st 2	
N 0	The last error
N 1	00 indicated
N 2	
N-1 0	One error before the last.
N-1 1	00 indicated
N-1 2	
N-2 0	Two errors before the last.
N-2 1	00 indicated
N-2 2	
REC	Total recording time *1)

*1) Total recording time

Total recording time is recorded in minutes as an index for load to the OP. It is recorded in hexadecimal format and up to 65,535 min. (about 886 discs of 74-minute disc) can be counted. It returns to "0000h" when recorder goes beyond this limit.

Example : REC 000A → Approx. 10 min.

REC 00A0 → Approx. 160 min.

REC 0A00 → Approx. 2560 min.



• Description of Error Indication Codes

Problem	Indication code	Meaning of code	Description
No error	00		
Abnormal stop during recording	01	Servo error	Abnormal disc RPM. Focus out of alignment. Attempt to access an abnormal address.
	02	ADIP read error	Unable to read the ADIP address.
	03	Shock detected during write	Jumped by 1.5 tracks or more due to shock during write.
	04	Shock detected during laser down	Shock detected when laser was moving down.
Abnormal stop during playback	11	No focus applied	Focus could not be applied.
	12	CRC error	Unable to read the address.
	15	FG error	Abnormal rotation of disc.
Abnormal stop of recording/playback caused by power system	21	Lower voltage due to overload	Power voltage reduced due to overload.
	22	Momentary interruption	Momentary interruption detected.
	23	Lower power voltage in motor system	Power voltage for motor continuously reduced to less than 1V.
	24	Low power voltage in DSP	

2-6. CLEARING THE ERROR INDICATION CODE AND TOTAL RECORDING TIME

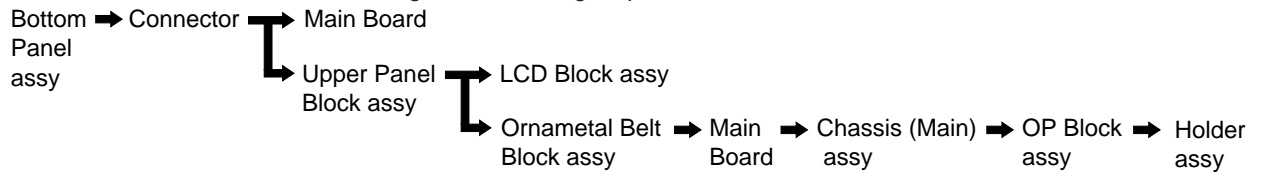
After repair, reset the error indication code.

Reset the total recording time when you have replaced the OP.

1. Go into the self-diagnostic mode. (See page 5.)
2. To reset the error indication code, slide **REC**  key when the code is displayed.
(All data including 1st, N, N-1 and N-2 are reset.)
3. To reset the total recording time, slide **REC**  key when the time is displayed.

SECTION 3 DISASSEMBLY

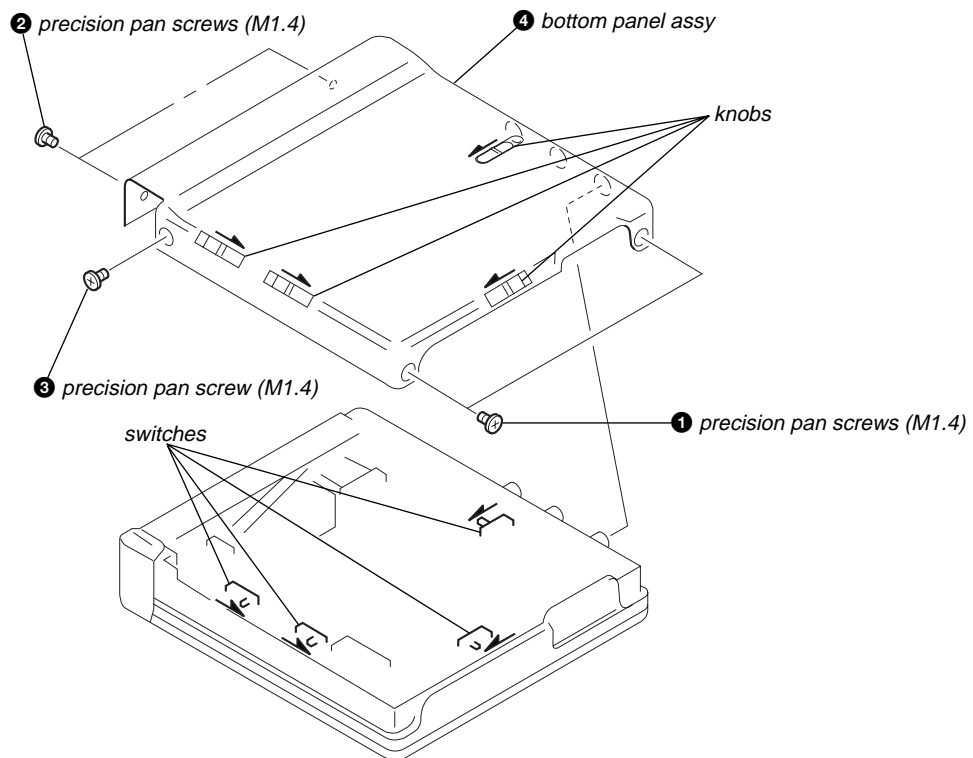
Note : This set can be disassemble according to the following sequence.



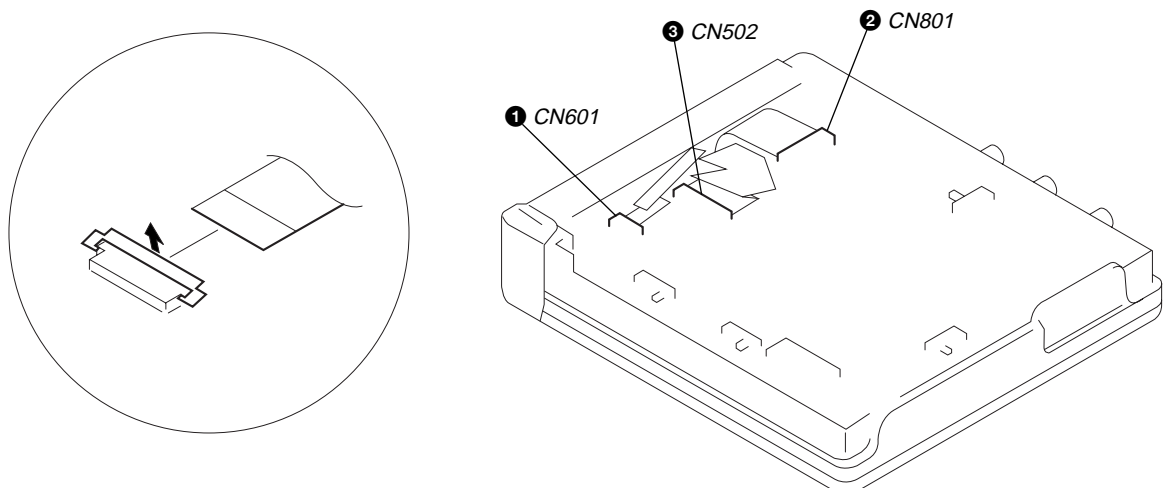
Note : Follow the disassembly procedure in the numerical order given.

3-1. BOTTOM PANEL ASSY

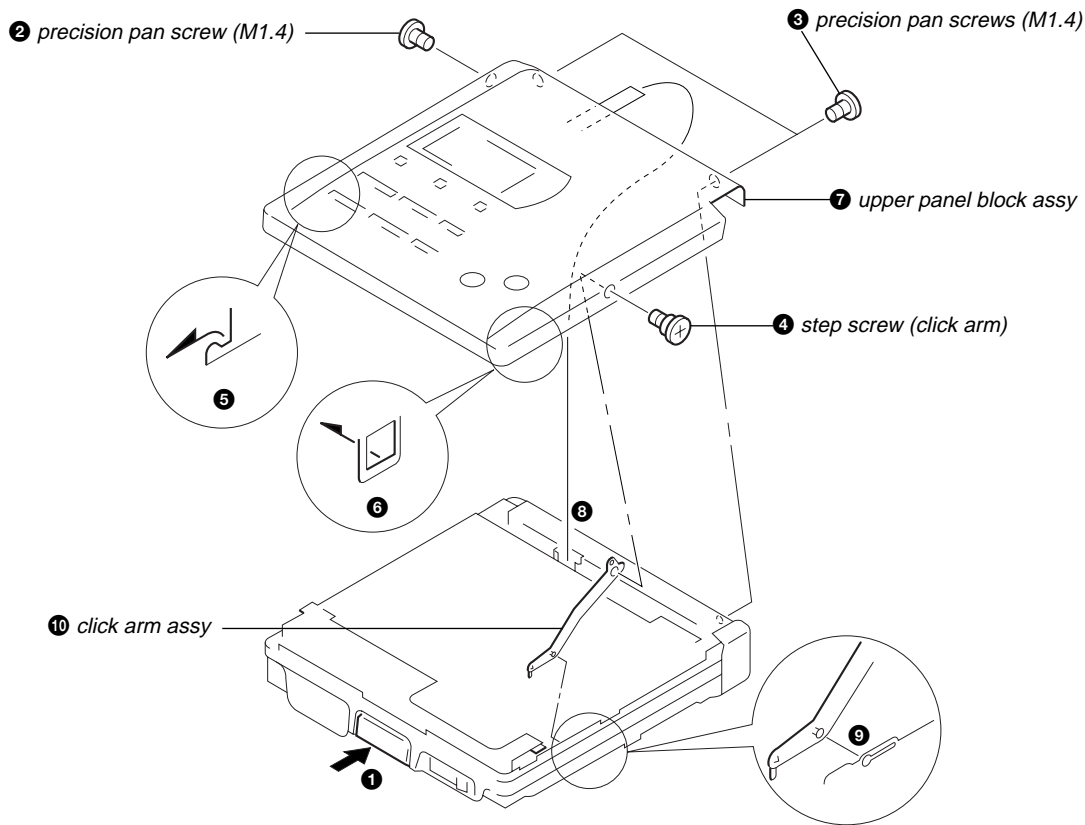
Note) When installing, fit the each positions knobs with switches.



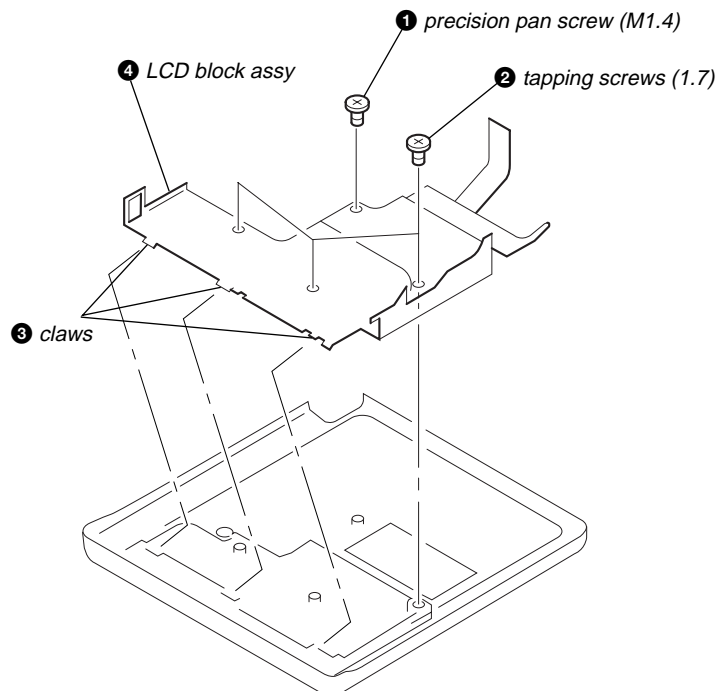
3-2. CONNECTOR



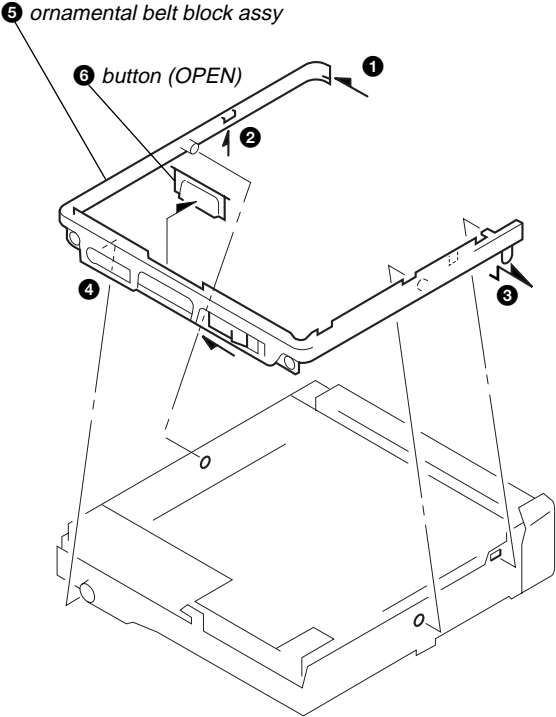
3-3. UPPER PANEL BLOCK ASSY



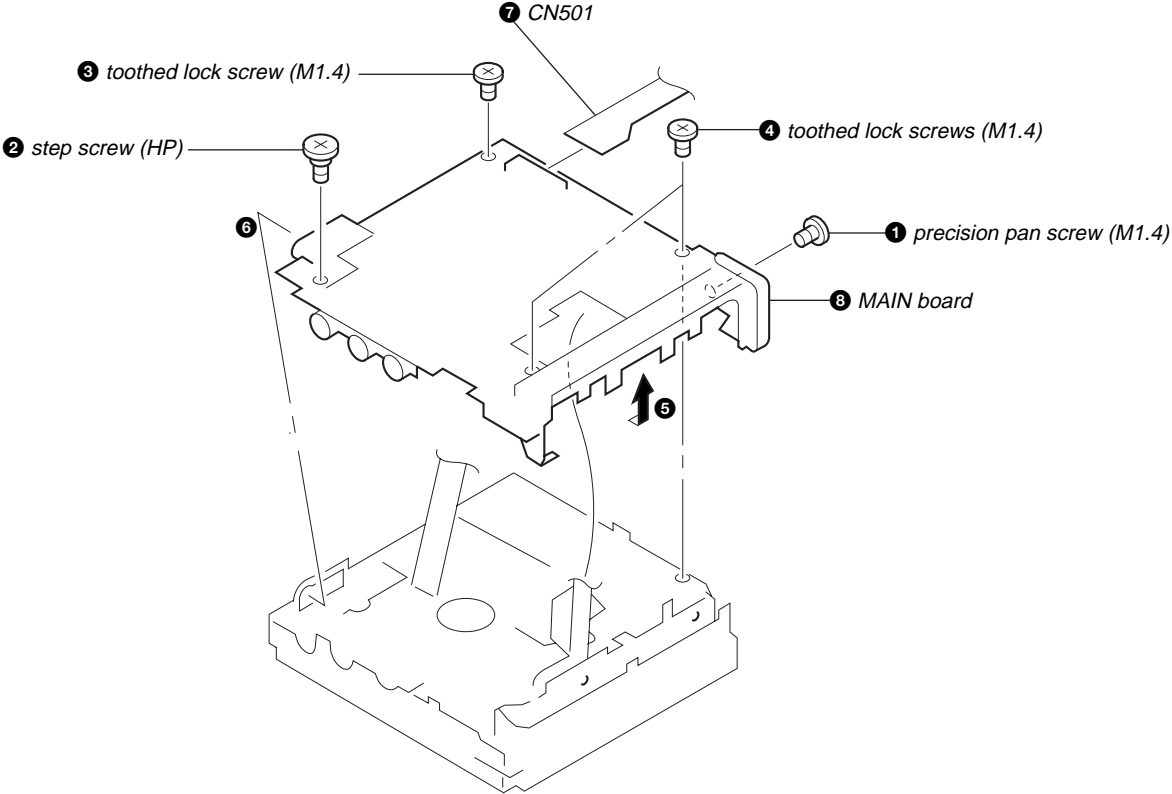
3-4. LCD BLOCK ASSY



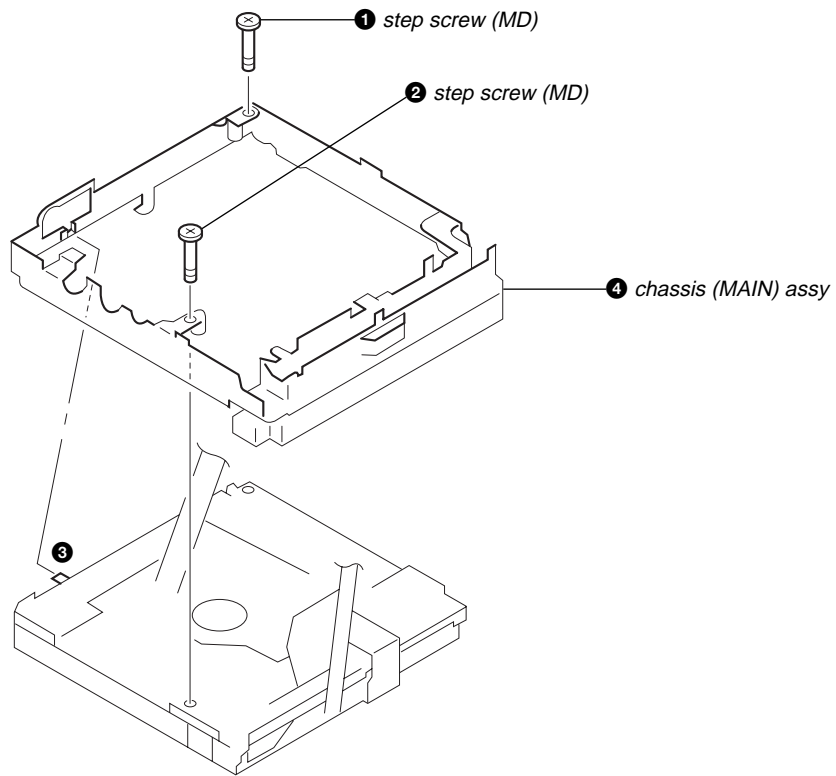
3-5. ORNAMENTAL BELT BLOCK ASSY



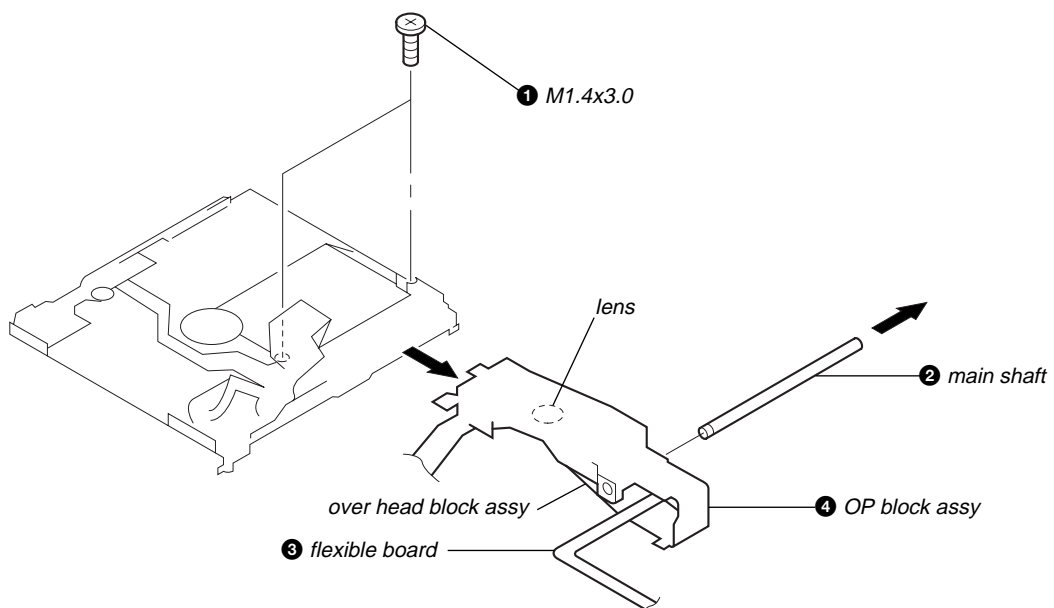
3-6. MAIN BOARD



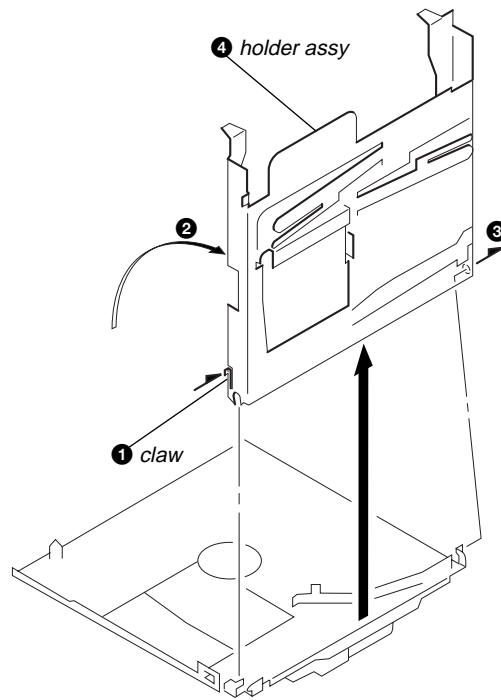
3-7. CHASSIS (MAIN) ASSY



3-8. OP BLOCK ASSY



3-9. HOLDER ASSY



SECTION 4 TEST MODE

4-1. GENERAL

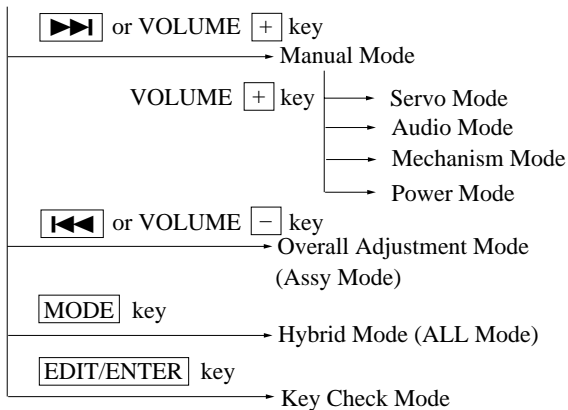
This set provides the Overall adjustment mode (Assy mode) that allows CD and MO disk to be automatically adjusted when in the test mode. In this Assy mode, the system discriminates between CD and MO disk and then automatically perform adjustments for them in sequence. If a fault is found, the system displays its location. Also, the Servo mode allows each individual adjustment to be automatically adjusted.

4-2. TEST MODE SETTING

See page 5.

4-3. TEST MODE STRUCTURE

Test mode



4-4. MANUAL MODE

(1) Servo Mode

• How to Transfer in the Servo Mode:

Mode No.	Test Description	Check	Write
000	Servo mode		
010	Offset correction value indication		
011	VC offset correction		
012	Focus bias correction		
013	FE offset correction		
014	ABCD offset correction		
015	All servo ON		
016	Temperature indication		
020	Laser power adjustment		
021	Laser CD/MO read adjustment		○ (08)
022	Laser MO write adjustment		○ (4C)
023	Sled normal		○ (45)
024	Sled intermittent		○ (65)
025	Sled access		○ (30)
030	MO test adjustment		
031	MO focus search adjustment		
032	MO read FE balance adjustment		○ (0F)
033	MO read ABCD level		○ (07)
034	MO write FE balance adjustment		○ (10)
035	MO write ABCD level		○ (18)
036	Laser MO read adjustment		○ (08)
037	MO focus gain		○ (30)
038	MO tracking gain		○ (30)
039	MO focus bias	○	○ (06)
040	Low reflection CD test adjustment		
041	Low reflection CD focus search adjustment		
042	Low reflection CD FE balance adjustment		○ (10)
043	Low reflection CD ABCD level		○ (06)
044	Laser low reflection CD read		○ (08)
045	Low reflection CD focus gain		○ (30)
046	Low reflection CD tracking gain		○ (30)

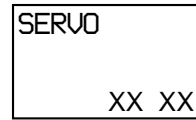
Mode No.	Test Description	Check	Write
047	Low reflection CD focus bias	○	○ (00)
050	CD test adjustment		
051	CD focus search adjustment		
052	CD FE balance adjustment		○ (10)
053	CD ABCD level adjustment		○ (15)
054	Laser CD read		○ (08)
055	CD focus gain		○ (30)
056	CD tracking gain		○ (30)
057	CD focus bias	○	○ (00)
060	Recording test		
061	32 cluster full recording		
062	Recording shock		
063	32 cluster full playback		

Check : Mode to display error rate and cluster.

Write : Mode to permit adjustment (Default value given in parentheses).

1. Go into the test mode.
2. Press ▶▶ or VOLUME + key to set the servo mode.

Unit LCD display



Adjustment value
(the data can be changed/
written when flashing.)

Mode No.
(The lower two digits are indicated.
Three digits are indicated on the
remote controller LCD.)

3. Press the keys below to change the mode No.

▶ : Increases the one place.

■ : Sets the one place to 0.

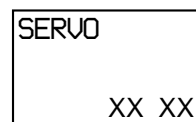
This key brings the ten place to 0 if the one place is 0.

VOLUME + : Increases the ten place by 10 if the one place is 0.
Increases the adjustment value if the one place is non-zero.

VOLUME - : Decreases the ten place by 10 if the one place is 0.
Decreases the adjustment value if the one place is non-zero.

• How to Adjust in Servo Mode:

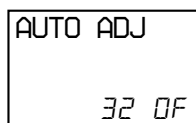
1. When the servo mode is set to the appropriate mode for each adjustment, the lower two digits of the mode No. and the value stored in EEPROM are displayed and flashing.



Adjustment value (flashing)

Mode No. (lower two digits)

- To perform automatic adjustment for an adjustment item with the mode number 030 to 047, press **[F]** key.
If the result of adjustment is OK, the adjustment value changes from flashing to steady on and it is automatically written to EEPROM.

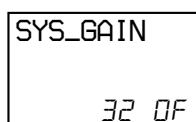


- To perform manual adjustment, change the adjustment value with VOLUME **[+]** or **[-]** key, and press **[F]** key to write it to EEPROM.

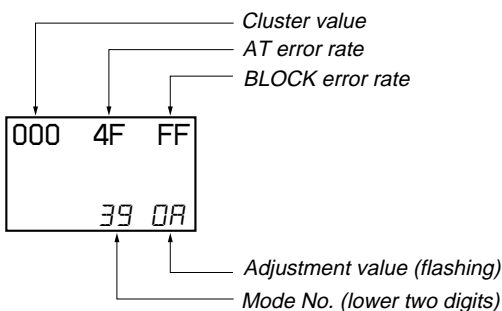
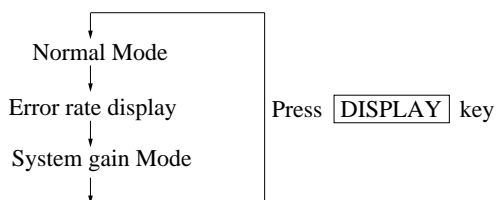
Note) Normally, automatic adjustment should be performed. Do not execute manual adjustment.

• System Gain Mode

- This mode allows the system gain to be freely adjusted. Press **[DISPLAY]** key to enter this mode.



- Increase or decrease the adjustment value with VOLUME **[+]** or **[-]** key.
- Press **[DISPLAY]** or **[F]** key to return to the normal mode.
- For the error rate display enabled:



Note) In normal service, do not adjust the system gain mode.

(2) Audio Mode

• How to Transfer in the Audio Mode

Mode No.	Test Description	Write	Change Description
100	Audio mode		
110	Audio playback		
111	L/R=1 kHz 0 dB	Playback VOL	HP output
112	L=1 kHz 0 dB	Playback VOL	HP output
113	R=1 kHz 0 dB	Playback VOL	HP output
114	L/R - ∞ dB	Playback VOL	HP output
120	Audio recording test		
121	LINE manual recording	Recording VOL	HP output
*1)	MIC manual recording		
122	DEMP LINE manual recording	Recording VOL	HP output
*1)	DEMP MIC manual recording		
123	LINE automatic recording	HP VOL	HP output
*1)	OPT automatic recording		
*1)	MIC automatic recording		
124	DEMP LINE automatic recording	HP VOL	HP output
*1)	DEMP OPT automatic recording		
*1)	DEMP MIC automatic recording		
130	DIGITAL AGC ADJ1		
131	MIC UP SR	○ (30)	
132	MIC DOWN SR	○ (FA)	
133	MIC THD0	○ (D0)	
134	MIC GAIN	○ (00)	
135	MIC ATTACK	○ (A0)	
136	MIC RECOVER	○ (F8)	
137	MIC THD2	○ (F0)	
138	MIC GAIN2	○ (D0)	
139	MIC RTIME	○ (01)	
140	DIGITAL AGC ADJ2		
141	LINE UP SR	○ (17)	
142	LINE DOWN SR	○ (FF)	
143	LINE THD0	○ (D0)	
144	LINE GAIN	○ (0C)	
145	LINE ATTACK	○ (33)	
146	LINE RECOVER	○ (F8)	
147	LINE THD2	○ (E4)	
148	LINE GAIN2	○ (5F)	
149	LINE RTIME	○ (04)	
150	DIGITAL AGC ADJ3		
151	MAN UP SR	○ (C0)	
152	MAN DOWN SR	○ (40)	
153	AUTO THD3	○ (51)	
154	AUTO LMT UP SR	○ (FF)	
155	AUTO LMT DOWN SR	○ (E0)	
156	MAN THD3	○ (51)	
157	MANU LMT UP SR	○ (FF)	
158	MANU LMT DOWN SR	○ (A0)	
159	THD1	○ (1A)	

*1) The port is detected and the input is automatically selected. Contents changed : Contents to be changed when VOLUME

[+] or **[-]** key is pressed.

Write : Mode to permit adjustment

(Default value given in parentheses)

- Go into the test mode.
- Press **[▶▶]** key or VOLUME **[+]** key and VOLUME **[+]** key in this turn to set the audio mode.

Unit LCD display



Adjustment value
(the data can be changed/
written when flashing.)

Mode No.
(The lower two digits are indicated.
Three digits are indicated on the
remote controller LCD.)

3. Press the keys below to change the mode number.



: Increases the one place.



: Sets the one place to 0.

This key brings the ten place to 0 if the one place is 0.

VOLUME [+]: Increases the ten place by 10 if the one place is 0.
Increases the adjustment value if the one place is non-zero.

VOLUME [-]: Decreases the ten place by 10 if the one place is 0.
Decreases the adjustment value if the one place is non-zero.

• How to Adjust in the Audio Mode

1. When the audio mode is set to the appropriate mode for each adjustment, the lower two digits of the mode No. and the value stored in EEPROM are displayed and flashing.
2. Change the adjustment value with VOLUME [+], or [-] key and press [ENTER] key to write the new value to EEPROM.

• How to Check in the Audio Mode

The audio mode allows the checks below to be performed:

1. For the mode numbers of 100 and 110 to 114, pressing [ENTER] key will activate a beep. (No beep sounds when [HOLD] switch is put on.)
2. For the mode numbers of 121 to 124, pressing [DIGITAL MEGA BASS] key will display the DBB mode for the adjustment value.
 - 1 : Mode 1
 - 2 : Mode 2
 - 13 : OFF

(This will not be accepted when the LINE OUT jack is plugged. The display will be 13 : OFF when LINE OUT jack is plugged in Modes 1 and 2.)

3. For the mode numbers of 120 to 124, [REC] LED goes on. (The LED does not go on when [SYNCHRO REC] switch is put on.)

(3) Mechanism Mode

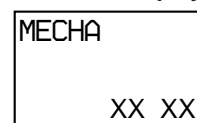
• How to Transfer the Mode in the Mechanism Mode:

Mode No.	Test Description	Operation
200	FUNCTION	Stepper control
210	MECHA test	Initial position return
211	HEAD adjustment	Operation variation changing (19)
212	REC position	Recording head descent
220	CLOCK	Clock
221	CLOCK check	Clock check/initialization

(): Default value

1. Go into the test mode.
2. Press [RECALL] or VOLUME [+], and VOLUME [+], and VOLUME [+], in this turn to set the mechanism mode.

Unit LCD display



Adjustment value

Mode No.

(Lower two digits are displayed.)

3. Press the keys below to change the mode No.



: Increases the one place.



: Sets the one place to 0.

This key brings the ten place to 0 if the one place is 0.

VOLUME [+]: Increases the ten place by 10 if the one place is 0.
Increases the adjustment value if the one place is non-zero.

VOLUME [-]: Decreases the ten place by 10 if the one place is 0.
Decreases the adjustment value if the one place is non-zero.

• How to Check in the Mechanism Mode

The mechanism mode allows the checks below to be performed:

1. For the mode numbers of 200, 210 to 212, 220 and 221, pressing [RECALL] key will move the optical pickup to the inner radius. Pressing [RECALL] key will move the pickup to the outer radius.
2. For the mode numbers of 211 and 212, pressing [ENTER] key will start aging. Pressing [STOP] key will stop aging.
 - Mode No. 211 ... Sled aging with stepper at playback position.
 - Mode No. 212 ... Sled aging with stepper at recording position.
3. With the mode number 210 selected, pressing [ENTER] key will start aging with stepper at between home and recording positions. [STOP] key will stop aging.

• **Clock Operation Check**

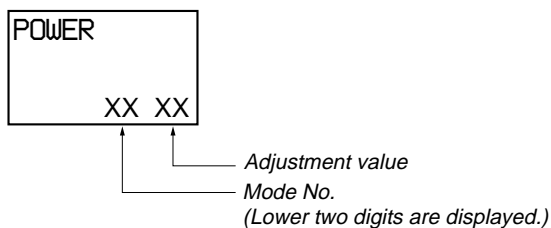
- For the mode No. of 221, operation check is performed.
It is determined as OK if at 11 years, 11 months, 11 days, 11 hours, 11 minutes and 11 seconds or not the default value.
- For the mode No. of 221, pressing [] key will clear the resume data stored in EEPROM and initialize the clock data.

Note) The clock should be set when the overall adjustment mode is completed as OK. The write data is to be at 11 years, November 11 days, 11 hours, 11 minutes and 11 seconds.

(4) Power Mode

Mode No.	Test Description	Indication value	Remark
300	POWER test		
310	POWER SUPPLY		
311	DC IN	+B voltage value	
312	DC IN + Ni-Cd	+B voltage value	
313	Ni or AM3	+B voltage value	
314	AM3	+B voltage value	
320	CHG TEST		
321	Charging start		

- Go into the test mode.
- Press [] key or VOLUME [+] and VOLUME [+] and VOLUME [+] and VOLUME [+] in this turn to set the power mode.



- Press the keys below to change the mode No.

- [] : Increases the one place.
- [] : Sets the one place to 0.
This key brings the ten place to 0 if the one place is 0.

VOLUME [+] : Increases the ten place by 10 if the one place is 0.
Increases the adjustment value if the one place is non-zero.

VOLUME [-] : Decreases the ten place by 10 if the one place is 0.
Decreases the adjustment value if the one place is non-zero.

Note) With the mode number 310 selected, pressing [] key will transfer to the mode number (311 to 314) for the currently operating power.
With the mode number 300 selected, pressing [] key will set the sleep mode. Pressing [] key will release it.

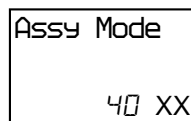
• **How to Check in the Power Mode**

- For the mode numbers of 311 to 314, the voltage of the currently operating power is displayed.

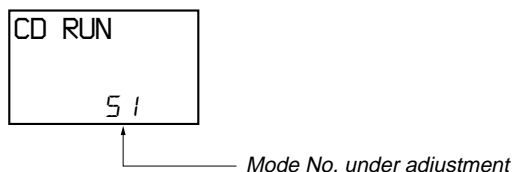
4-5. OVERALL ADJUSTMENT MODE (ASSY MODE)

• **How to Adjust in Assy Mode**

- Go into the test mode.
- Press [] or VOLUME [-] key.



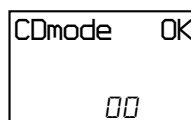
- Insert the test CD (TDYS-1) or an available SONY CD.
- Press [] key. The system discriminates between CD and MO and performs automatic adjustment for CD.



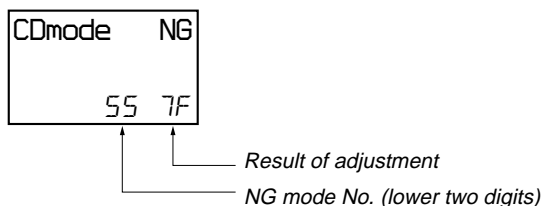
• **CD Automatic Adjustment**

Mode No.	Adjustment Description
052	CD FE balance adjustment
053	CD ABCD level adjustment
055	CD focus gain
056	CD tracking gain
057	CD focus bias

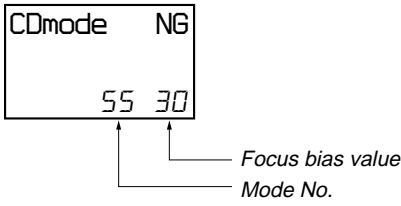
- If the result of automatic adjustment is OK, the following display appears:



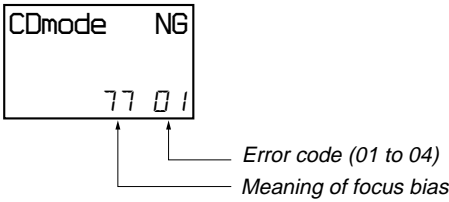
- If the result of automatic adjustment is NG, the following display appears:



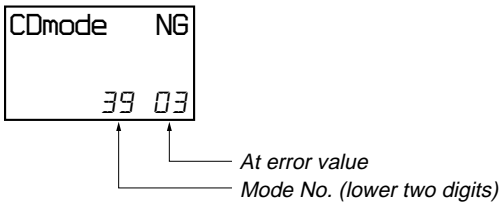
* For the mode numbers of 039 and 057, if the focus bias value is NG, the following display is repeated:



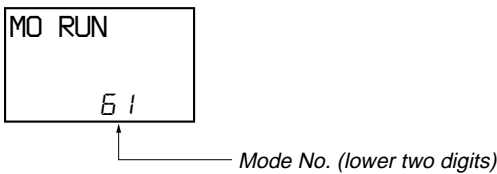
While key is being depressed



* For the mode numbers of 039 and 061, if the At error rate is NG, the following display is repeated:



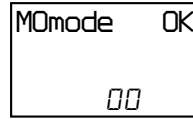
7. If NG, set the servo mode. Perform automatic adjustment for the items not accepted (see the servo mode).
8. Insert a MO disk.
9. Press key. The system discriminates between CD and MO and performs automatic adjustment for the MO disk.



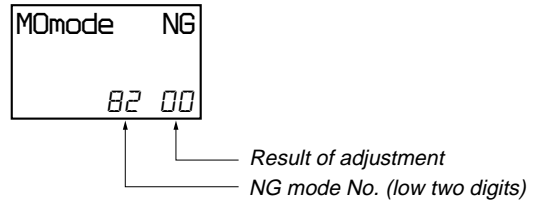
• MO Automatic Adjustment

Mode No.	Adjustment Description
032	MO read FE balance adjustment
033	MO read ABCD level
034	MO write FE balance adjustment
035	MO write ABCD level
037	MO focus gain
038	MO tracking gain
061	32 cluster full recording
062	Recording shock
063	32 cluster full playback
039	MO focus bias
042	Low refraction CD FE balance adjustment
043	Low refraction CD ABCD level
044	Laser low reflection CD read
046	Low refraction CD tracking gain

10. If the result of automatic adjustment is OK, the following display appears:



11. If the result of automatic adjustment is NG, the following display appears:



12. If NG, set the servo mode. Perform automatic adjustment for the items not accepted (see the servo mode).

4-6. HYBRID MODE, KEY CHECK MODE

These modes are not used in normal service.

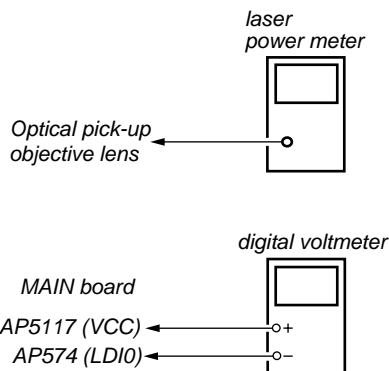
SECTION 5 ELECTRICAL ADJUSTMENTS

PRECAUTIONS FOR ADJUSTMENT

- 1) Perform all adjustments in the order given in the test mode.
After adjusting, exit the test mode.
- 2) Use the following tools and measuring instruments.
 - Test CD TDYS-1
(Part No. : 4-963-646-01)
 - SONY MO disc available on the market
 - Laser power meter LPM-8001
(Part No. : J-2501-046-A)
 - Oscilloscope (Frequency band above 40 MHz. Perform the calibration of probe first before measuring.)
 - Digital voltmeter
- 3) Unless specified otherwise, supply DC 3V from the DC IN 3V jack.
- 4) Switch, knob positions
HOLD switch OFF
AVLS switch NORM

LASER POWER CHECK

Connection :



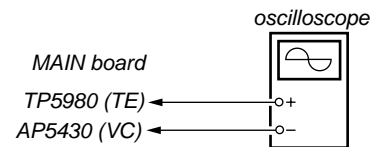
Adjustment Method :

1. Set the servo mode of the test mode (Mode : 000).
2. Press the key, and set the laser power adjustment mode (Mode : 020) using the VOLUME or key.
3. Press the key and move the optical pick-up to the inner most circumference.
4. Open the cover and set the laser power meter on the objective lens of the optical pick-up.
5. Press the key, and set the laser CD/MO read adjustment mode (Mode : 021).
6. Check that the laser power meter reading is 0.85 ± 0.085 mW.
7. Check that the voltage between AP5117 (VCC) and AP574 (LDIO) at this time is below 44 mV.
8. Press the key, and set the laser MO write adjustment mode (Mode : 022).
9. Check that the laser power meter reading is 6.8 ± 0.68 mW.
10. Press the key to finalize the adjustment data.
11. Check that the voltage between AP5117 (VCC) and AP574 (LDIO) at this time is below 80 mV.
12. Press the key.
13. Exit the test mode.

Adjustment Location : See page 19.

MO TRAVERSE ADJUSTMENT

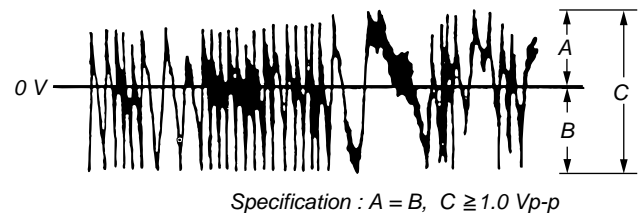
Connection :



Adjustment Method :

1. Set the servo mode of the test mode (Mode : 000).
2. Press the key, and set the MO test adjustment mode (Mode : 030) using the VOLUME or key.
3. Press the or key and move the optical pick-up to the center circumference.
4. Insert any MO disk available on the market.
5. When the key is pressed, the MO read FE balance adjustment mode (Mode : 032) will be set after MO focus search adjustment mode (Mode : 031).
6. Press the key to perform automatic adjustment, and check that the traverse waveform is symmetrical at the top and bottom.
7. Slide the key and set the MO write FE balance adjustment mode (Mode : 034).
8. Press the key to perform automatic adjustment, and check that the traverse waveform is symmetrical at the top and bottom.

(Traverse waveform)



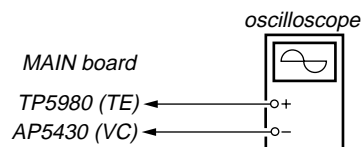
9. Check that the traverse level at this time is above 1.0 Vp-p.
10. Press the key.
11. Exit the test mode.

Note) Using a recorded disk in this adjustment will erase the data.

Adjustment Location : See page 19.

LOW REFLECTION CD TRAVERSE ADJUSTMENT

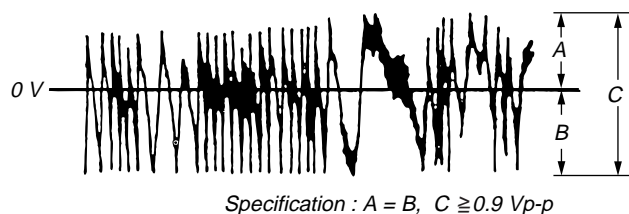
Connection :



Adjustment Method :

1. Set the servo mode of the test mode (Mode : 000).
2. Press the key, and set the low reflection CD test adjustment mode (Mode : 040) using the VOLUME or key.
3. Insert any MO disk available on the market.
4. When the key is pressed, the low reflection CD FE balance adjustment mode (Mode : 042) will be set after low reflection CD focus search adjustment mode (Mode : 041).
5. Press the key to perform automatic adjustment, and check that the traverse waveform is symmetrical at the top and bottom.

(Traverse waveform)

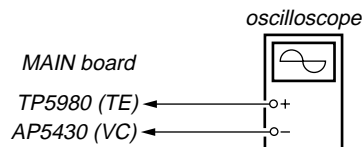


6. Check that the traverse level at this time is above 0.9 Vp-p.
7. Press the key.
8. Exit the test mode.

Adjustment Location : See page 19.

CD TRAVERSE ADJUSTMENT

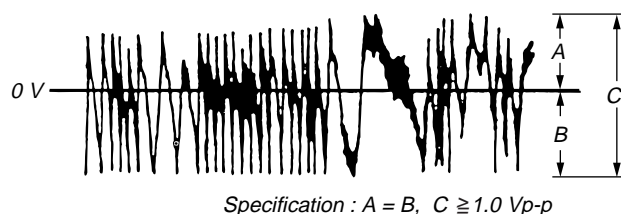
Connection :



Adjustment Method :

1. Set the servo mode of the test mode (Mode : 000).
2. Press the key, and set the CD test adjustment mode (Mode : 050) using the VOLUME or key.
3. Press the or key and move the optical pick-up to the center circumference.
4. Insert a test CD (TDYS-1).
5. When the key is pressed, the CD FE balance adjustment mode (Mode : 052) will be set after CD focus search adjustment mode (Mode : 051).
6. Press the key to perform automatic adjustment, and check that the traverse waveform is symmetrical at the top and bottom.

(Traverse waveform)

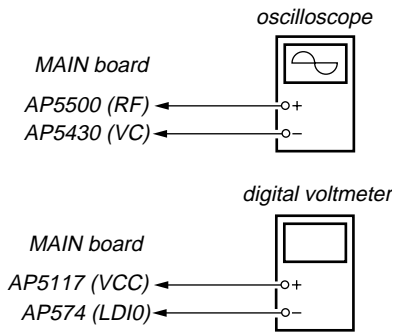


7. Check that the traverse level at this time is above 1.0 Vp-p.
8. Press the key.
9. Exit the test mode.

Adjustment Location : See page 19.

CD RF LEVEL CHECK

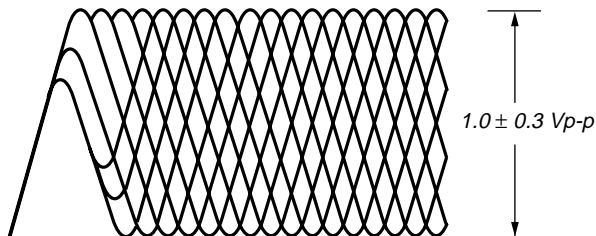
Connection :



Adjustment Method :

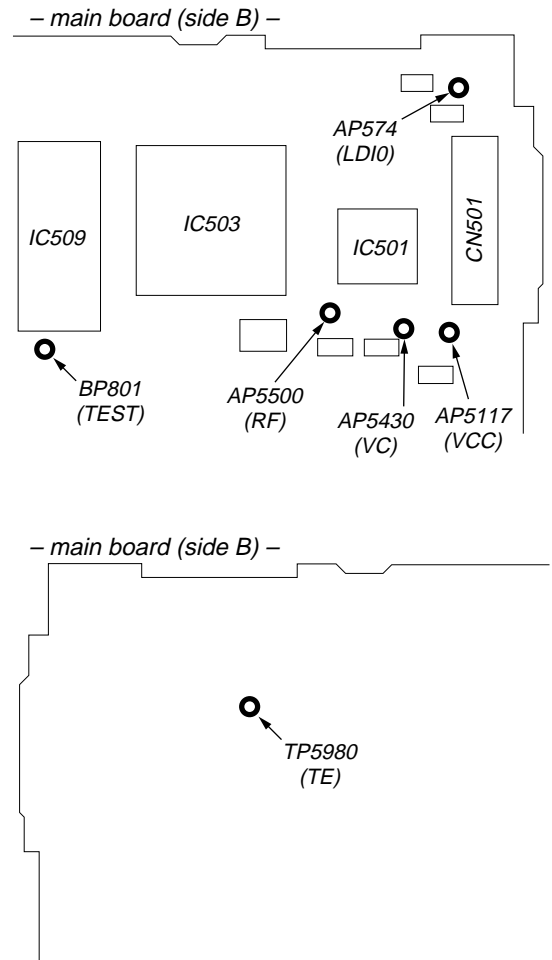
1. Set the servo mode of the test mode (Mode : 000).
2. Press the key, and set the CD test adjustment mode (Mode : 050) using the VOLUME or key.
3. Press the or key and move the optical pick-up to the center circumference.
4. Insert a test CD (TDYS-1).
5. When the key is pressed, the CD FE balance adjustment mode (Mode : 052) will be set after CD focus search adjustment mode (Mode : 051).
6. When the key is pressed, the CD ABCD level adjustment mode (Mode : 053) is set.
7. Press the key to perform automatic adjustment, and check that the RF level is 1.1 ± 0.3 Vp-p.

(RF waveform)



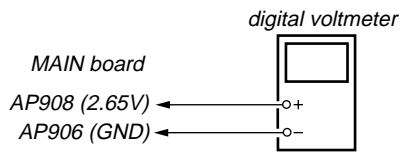
8. Check that the voltage between AP5117 (VCC) and AP574 (LDI0) and at this time is below 40 mV.
9. Press the key.
10. Exit the test mode.

Adjustment Location :



2.65V ADJUSTMENT

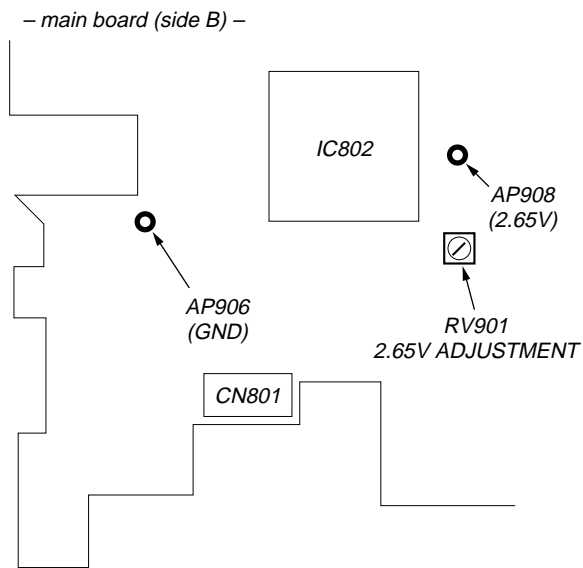
Connection :



Adjustment Method :

1. Playback the test CD (TDYS-1).
2. Adjust RV901 so that the voltage between AP908 (2.65V) and AP906 (GND) is at 2.65 ± 0.03 Vdc.

Adjustment Location :



SECTION 6 DIAGRAMS

6-1. IC PIN DESCRIPTIONS

• IC503 CXD2652AR (DIGITAL SERVO, ATRAC)

Pin No.	Pin name	I/O	Pin Description
1	MNT 0	O	Traverse count signal output.
2	MNT 1	O	Track jump detect output.
3	MNT 2	—	Not used (Open).
4	MNT 3	—	Focus OK signal output.
5	SWDT	I	Inputs write data signal from system controller (IC802).
6	SCLK	I	Inputs serial clock signal from system controller (IC802).
7	XLAT	I	Inputs serial latch signal from system controller (IC802).
8	SRDT	O	Outputs write data signal to system controller (IC802).
9	SENS	O	Outputs internal status (SENS) to system controller (IC802).
10	XRST	I	Inputs reset signal from system controller (IC802). L : Reset
11	SQSY	O	Output subcode Q sync (SCOR) to system controller (IC802). Outputs “L” every 13.3 msec. Outputs “H” at all most mostly.
12	DQSY	O	Outputs digital-in U-bit CD format subcode Q sync (SCOR) to system controller (IC802). Outputs “L” every 13.3 msec. Outputs “H” at all most mostly.
13	WRPWR	I	Inputs laser power switching signal from system controller (IC801).
14	NC	—	Not used (Open).
15	TX	I	Input of write data taransmission timing from system controller (IC801). Also used as magnetic field head ON/OFF output.
16	OSC1	O	Clock output (22.5 MHz).
17	OSC0	I	Clock input (22.5 MHz).
18	XTSL	—	Not used (Fixed at “L”)
19	NC	—	Not used (Connect to ground).
20	RVSS	—	Connect to ground.
21	DIN	I	Digital audio signal input pin (For optical input).
22	NC	—	Not used (Open).
23	ADDT	I	Audio data input from A/D converter (IC301).
24	DATA	O	Monitor/decode audio data output to A/D converter (IC301).
25	ALRCK	O	L/R clock output to D/A converter (IC301).
26	ABCK	O	Bit clock signal output to A/D, D/A converter (IC301).
27	FS256	O	11.2896 MHz clock output (MCLK).
28	DV _{DD}	—	Power supply (+2.8 V) for digital.
29 – 39	A00 – A08, A10, A11	O	Address signal output to DRAM (IC509).
40	DVSS	—	Ground terminal.
41	XOE	O	Output enable contol signal output to DRAM (IC509).
42	XCAS	O	Column address strobe singal output to DRAM (IC509).
43	A09	O	Address signal output to DRAM (IC509).
44	XRAS	O	Row address strobe signal output to DRAM (IC509).
45	XWE	O	Read/write control signal output to DRAM (IC509).
46 – 49	D0 – D3	I	Data signal input from DRAM (IC509).
50	MVCI	—	Not used (Connect to ground).
51	ASYO	O	Playback EFM full-swing output (L : VSS, H : VDD).
52	ASYI	I	Playback EFM asymmetry comparate voltage input.
53	AVDD	—	Power supply (+2.8 V) for analog.
54	BIAS	I	Playback EFM asymmetry circuit constant current input.
55	RFI	I	Inputs playback EFM RF signal from RF amplifier (IC501).

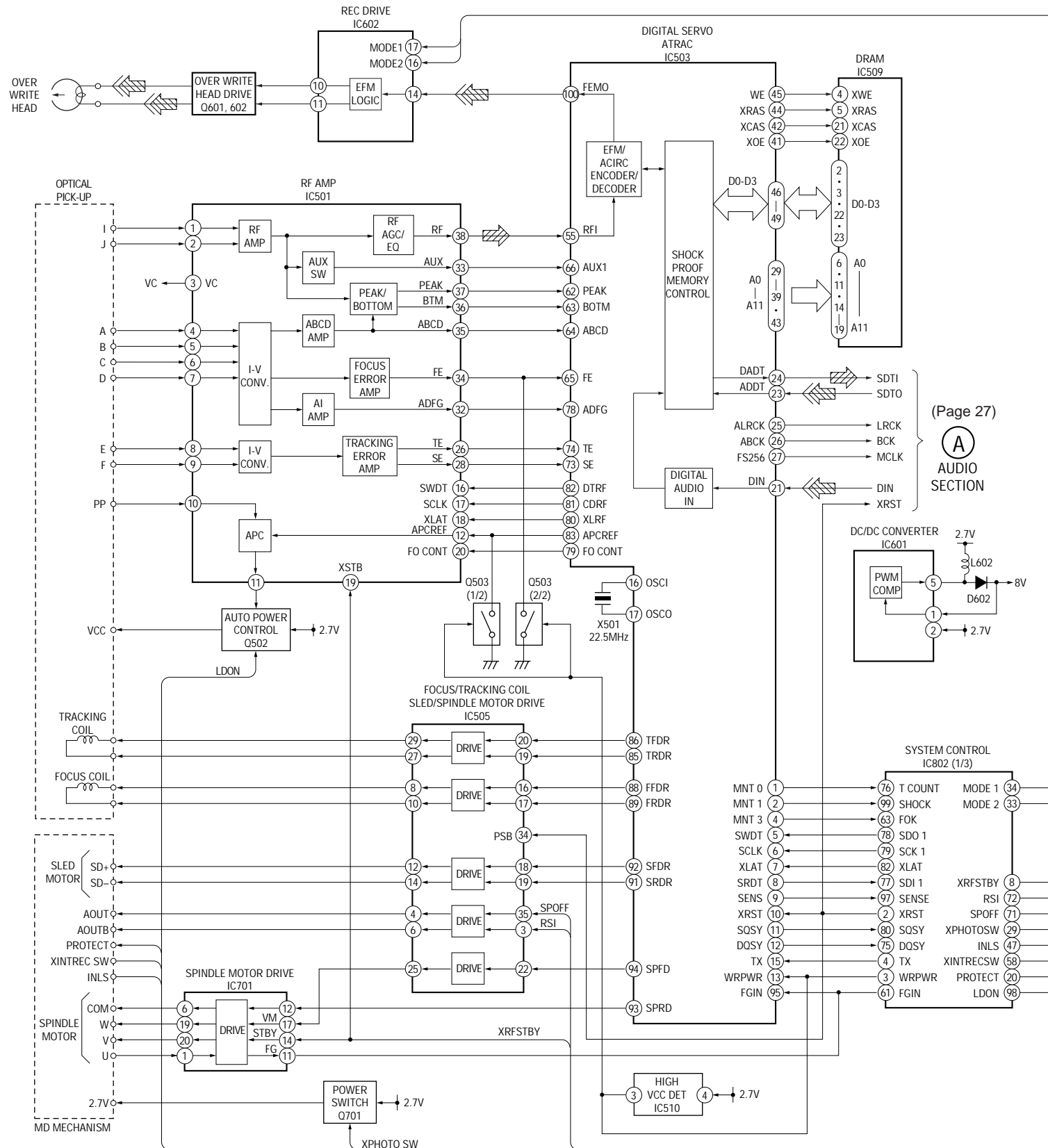
Pin No.	Pin name	I/O	Pin Description
56	AVSS	—	Ground terminal.
57	PDO	—	Not used (Open).
58	PCO	O	Decoder PLL master clock PLL phase comparison output.
59	FILI	I	Decoder PLL master clock PLL filter input.
60	FILO	O	Decoder PLL master clock PLL filter output.
61	CLTV	I	Decoder PLL master clock PLL VCO control voltage input.
62	PEAK	I	Inputs peak hold signal for light amount signal from RF amplifier (IC501).
63	BOTM	I	Inputs bottom hold signal for light amount signal from RF amplifier (IC501).
64	ABCD	I	Light amount signal from RF amplifier (IC501).
65	FE	I	Input focus error signal from RF amplifier (IC501).
66	AUX1	I	Input of auxiliary signal from RF amplifier (IC501).
67	VC	I	Input of middle point voltage (+1.4 V) from RF amplifier (IC501).
68	ADIO	—	Not used (Open).
69	AVDD	—	Power supply (+2.8 V) for analog.
70	ADRT	—	Not used (Connect to +2.8 V).
71	ADRB	—	Not used (Connect to ground).
72	AVSS	—	Ground terminal.
73	SE	I	Input of sled error signal from RF amplifier (IC501).
74	TE	I	Input of tracking error signal from RF amplifier (IC501).
75	AUX2	—	Not used (Connect to +2.8 V).
76	DCHG	—	Not used (Connect to +2.8 V).
77	APC	—	Not used (Connect to +2.8 V).
78	ADFG	I	Input of ADIP dual FM signal from RF amplifier (IC501) (22.05 kHz \pm 1 kHz). (TTL Schmit input)
79	FO CONT	O	Focus control output to RF amplifier (IC501).
80	XLRF	I	Latch signal input from RF amplifier (IC501).
81	CKRF	O	RFCK clock (7.35 kHz) signal output.
82	DTRF	I	Serial data input from system controller (IC802).
83	APCREF	I	Laser power setting signal input.
84	LDDR	—	Not used (Open).
85	TRDR	O	Tracking servo drive signal output (-).
86	TFDR	O	Tracking servo drive signal output (+).
87	DVDD	—	Power supply (+2.8 V) for digital.
88	FFDR	O	Focus servo drive signal output (+).
89	FRDR	O	Focus servo drive signal output (-).
90	FS4	O	Not used (Open). (176.4 kHz clock signal output (MCLK).)
91	SRDR	O	Sled servo drive signal output (-).
92	SFDR	O	Sled servo drive signal output (+).
93	SPRD	O	Spindle servo drive signal output (-).
94	SPFD	O	Spindle servo drive signal output (+).
95	FGIN	I	FG signal input from spindle motor driver (IC701).
96	TEST1	—	Not used (Connect to ground).
97	TEST2	—	Not used (Connect to ground).
98	TEST3	—	Not used (Connect to ground).
99	DVSS	—	Ground terminal.
100	EFMO	O	EFM recording signal output.

• IC802 CXP740010 (SYSTEM CONTROL)

Pin No.	Pin name	I/O	Pin Description
1	CLKCS	O	Chip select output to real time clock (IC805).
2	XRST	O	Reset output. L : Reset
3	WRPWR	O	Laser power switching signal output.
4	TX	O	Write data transfer timing output.
5	SDI2	I	Serial data input.
6	SDO2	O	Serial data output.
7	SCK2	O	Serial clock output.
8	XRF-STBY	O	Power control output to RF amplifier (IC501).
9	SSB	I/O	SSB data signal input and output.
10	SSB SCK	I/O	SSB clock signal input and output. (Not used (Open).)
11	DTCK	I/O	Remote control data signal input/output.
12	SPCK	—	Not used (Open).
13	WP	I	Wake-up signal input from remote control key and this unit key.
14	OPEN	I	Detecting switch for opening and closing of the upper cover. L : Close
15	CLOCK	I	CLOCK SET switch input.
16	NC	—	Not used (Open).
17	NC	—	Not used (Open).
18	T.MARK	I	T MARK (Track mark) switch input.
19	REC	I	REC switch input.
20	PROTECT	I	Disc write protect switch. H : Protect
21	HOLD	I	HOLD switch input (This unit). L : HOLD
22	SYNC REC	I	SYNCHRO REC switch input.
23	D. B. B	I	DIGITAL MEGA BASS slide switch input.
24	XLINEDET	I	LINE IN (OPTICAL) detection input. L : LINE IN
25	AVLS	I	AVLS switch input. L : LIMIT
26	XTEST	I	Test mode terminal. L : Test mode
27	XDCIN	I	Not used (Open). (DC input detect. L : DC IN)
28	KANA SE L	I	Model input. (L : J model, H : Tourist, Hong Kong model)
29	XPHOTO SW	O	ON/OFF control signal output of PHOTO circuit.
30	XP CONT	O	Power control output. L : ON
31	X2VCONT	O	Outputs H while operating with a lithium battery. 2V power control signal output. L : ON
32	XREC LED	O	REC LED control. L : ON
33	MODE2	O	REC drive (IC602) control signal output.
34	MODE1	O	
35	XNIMH CHG	O	Battery charger control signal output. L : Charge
36	XLCD ON	O	LCD ON/OFF control. L : ON
37	—	—	Not used (Open).
38	MRST	I	Microprocessor reset input.
39	V _{SS}	—	Ground.
40	XTAL	—	System clock (12 MHz).
41	EXTAL	—	System clock (12 MHz).
42	LCD STBY	O	LCD communication strobe signal output to LCD driver.
43	NC	—	Not used.
44	LCD DATA	O	LCD data output.
45	LCD SCK	O	Serial clock output.
46	CHG MNT	I	Battery charge voltage minitor input.
47	INLS	I	Detecting switch for internal circuit of sleding. L : Internal circuit
48	HIDC MNT	I	Voltage monitor DC input.
49	KEYR	I	Remote control key input.
50	AV _{SS}	—	Ground terminal for A/D converter.

Pin No.	Pin name	I/O	Pin Description
51	AVREF	I	A/D converter reference voltage input.
52	AV _{DD}	—	A/D converter power supply terminal.
53	NC	—	Not used (Open).
54	TEMP	I	Temp meter (IC803) input.
55	KEY3	I	Key input.
56	KEY4	I	Key input.
57	KEY1	I	Key input.
58	XINT REC SW	I	Recording head position detect input.
59	UNREG MNT	I	2.8 V voltage monitor input.
60	2V MNT	I	Voltage monitor for lithium battery. Motor power voltage monitor input.
61	FG IN	I	FG input from motor driver (IC503).
62	NC	—	Not used (Open).
63	FOK	I	Focus OK signal input.
64	—	—	Not used (Open).
65	—	—	Not used (Open).
66	XJACKDET	I	LINE IN (OPTICAL) jack detection input.
67	OPT DET	I	LINE IN (OPTICAL) optical detection input.
68	XMIC DET	I	MIC (PLUG IN) jack detection.
69	—	—	Not used (Open).
70	—	—	Not used (Open).
71	SPOFF	O	REC head motor control signal output.
72	RSI	O	
73	CHG CONT	O	Constant current chage control signal output.
74	—	—	Not used (Open).
75	DQSY	I	Subcode Q sync (SCOR) of digital in U-bit CD format from IC503.
76	T COUNT	I	Traverse count signal input.
77	SDI1	I	Serial data input.
78	SDO1	O	Serial data output.
79	SCK1	O	Serial clock output.
80	SQSY	I	SUB-Q/ADIP SYNC input.
81	BEEP	O	BEEP sound output control.
82	XLAT	O	Latch output.
83	NC	—	Not used (Open).
84	TEX	—	Not used (Fixed at “L”).
85	XT	—	Not used (Fixed at “L”).
86	V _{SS}	—	Ground.
87	V _{DD}	—	Power supply pin (+2.8V).
88	NC	—	Not used (Fixed at “H”).
89	XCS ADA	O	A/D, D/A converter chip select output.
90	XPD ADA	O	A/D, D/A converter power down signal output. H : Power down
91	KEYON	O	SLEEP : L, action : H.
92	XNIMH DET	I	Battery detect switch input.
93	A MUTE	O	Analog mute control. H : Mute
94	OPT CTL	O	Power supply control output for an optical input.
95	XCE REG	—	Not used (Open).
96	XCE NV	O	EEPROM chip select output.
97	SENS	I	SENS input.
98	LDON	O	“H” : APC circuit ON, “L” : APC circuit OFF
99	SHOCK	I	Track jump detection input from IC503.
100	GND SW	O	Ground switch output.

6-2. BLOCK DIAGRAM — SERVO SECTION —

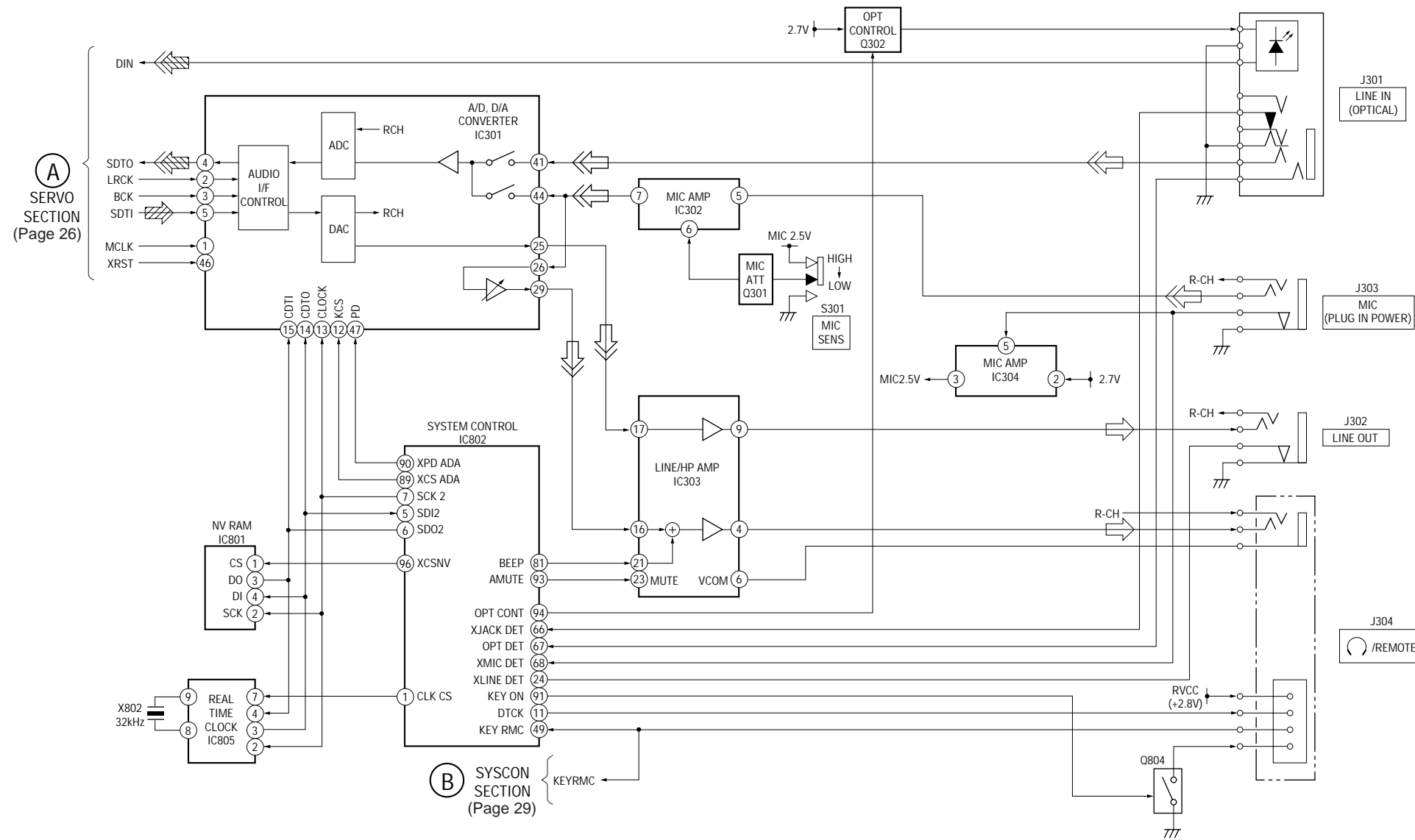


(Page 27)
A
AUDIO SECTION

- Signal path
 - ▬ : PLAY(DIGITAL)
 - ▬▬ : REC(DIGITAL)
- R-ch : same as L-ch.

04

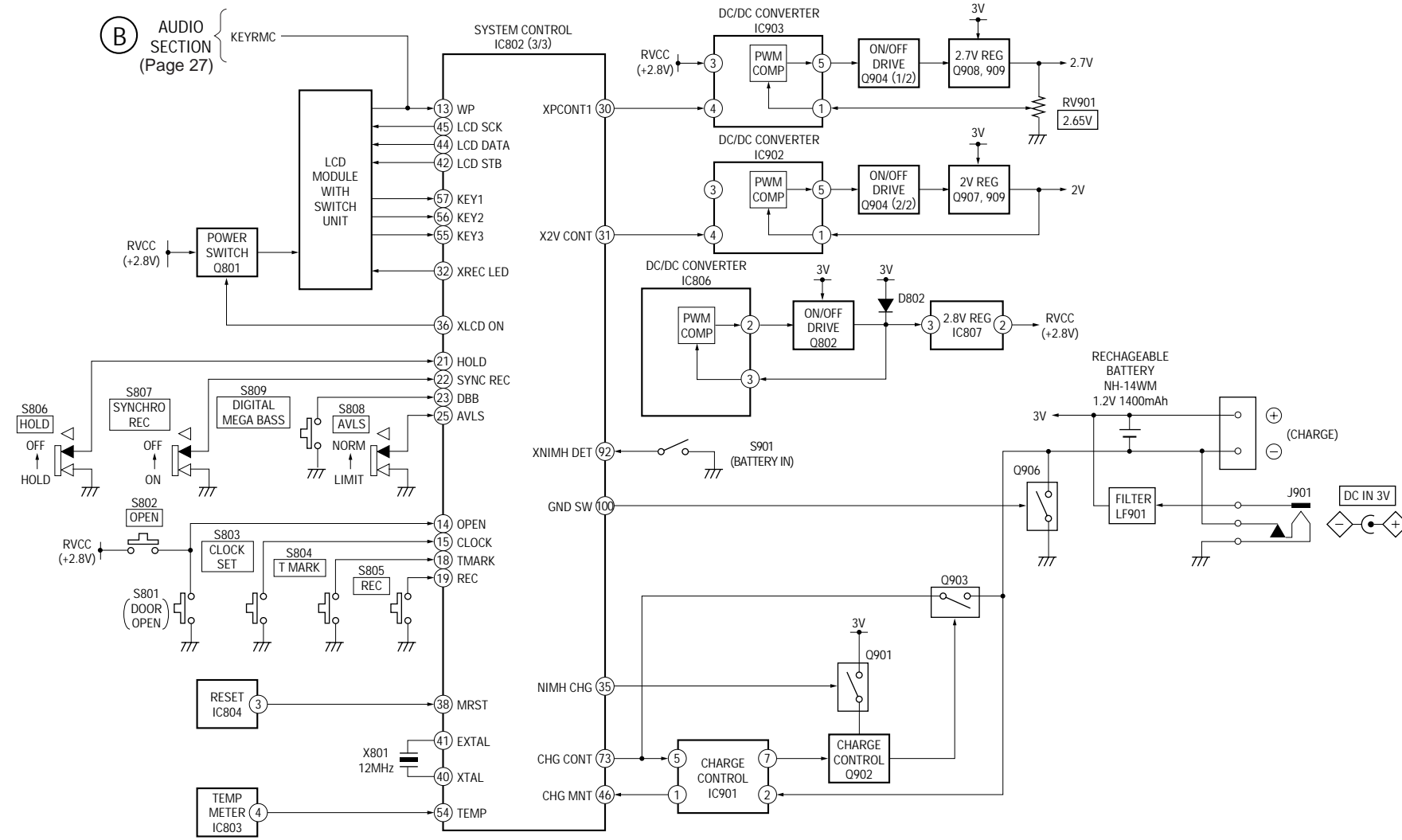
6-3. BLOCK DIAGRAM — AUDIO SECTION —



04

- Signal path
 - : PLAY(DIGITAL)
 - : REC(DIGITAL)
 - : PLAY(ANALOG)
 - : REC(ANALOG)
- R-ch : same as L-ch.

6-4. BLOCK DIAGRAM — SYSTEM CONTROL SECTION —

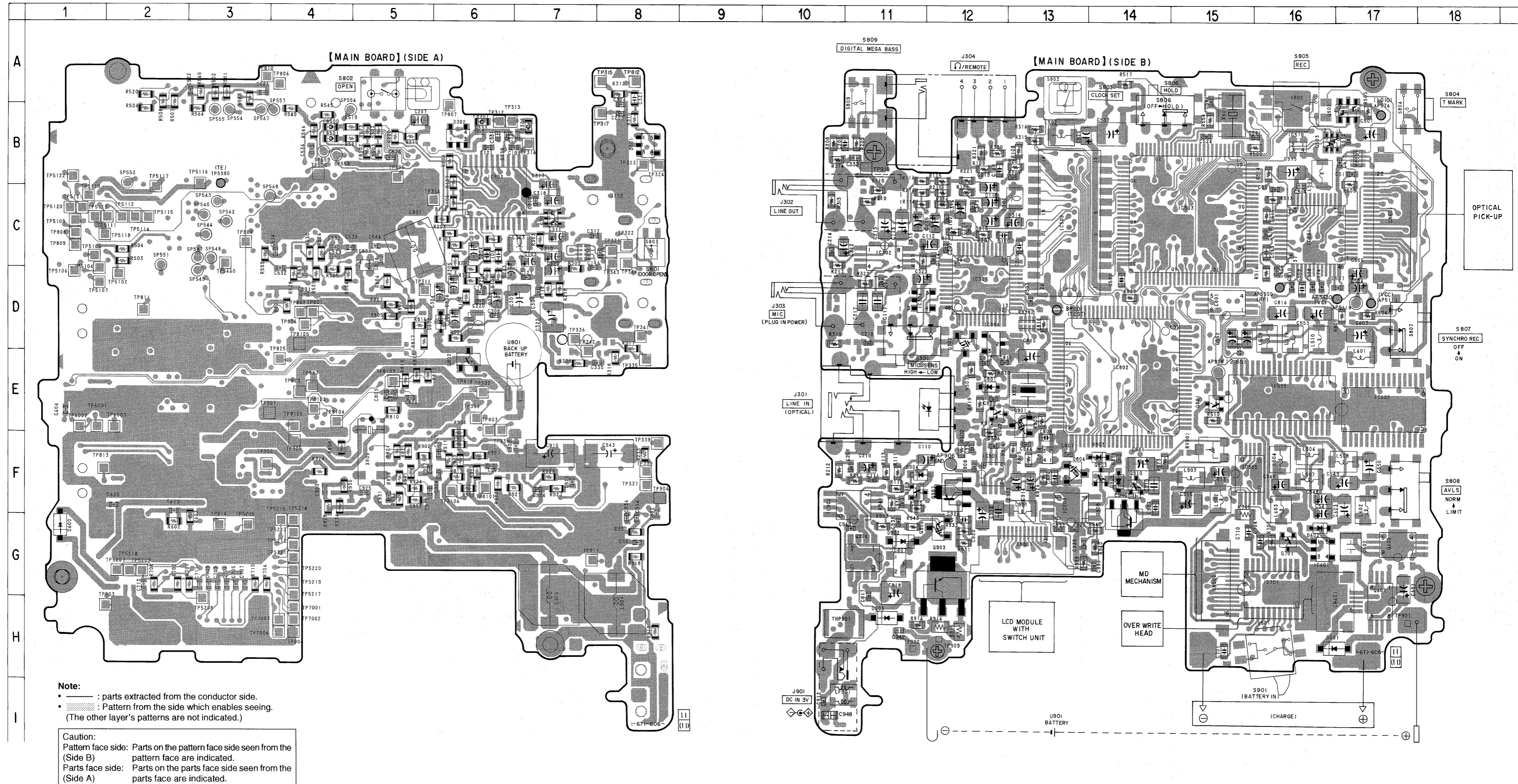


04

6-5. PRINTED WIRING BOARD (board part number suffix : -11) (Hong Kong, Tourist Model)

• Semiconductor Location

Ref. No.	Location
D301	B-8
D302	B-6
D600	G-1
D601	H-16
D602	G-16
D801	E-12
D802	D-6
D803	F-14
D902	G-11
D903	H-11
D904	F-11
D905	F-14
IC301	D-12
IC302	C-11
IC303	C-6
IC304	D-11
IC501	C-16
IC503	C-15
IC505	E-16
IC509	C-13
IC510	B-16
IC601	G-16
IC602	E-17
IC701	G-16
IC801	D-15
IC802	E-14
IC803	C-5
IC804	F-13
IC805	F-15
IC806	D-12
IC807	G-11
IC901	F-12
IC902	F-11
IC903	F-13
Q301	C-7
Q302	D-12
Q502	B-17
Q503	B-16
Q601	G-17
Q602	G-17
Q701	G-16
Q801	D-15
Q802	E-6
Q803	F-14
Q804	F-13
Q901	F-12
Q902	E-12
Q904	G-11
Q906	G-11
Q907	F-12
Q908	F-14
Q909	F-11
Q910	F-14



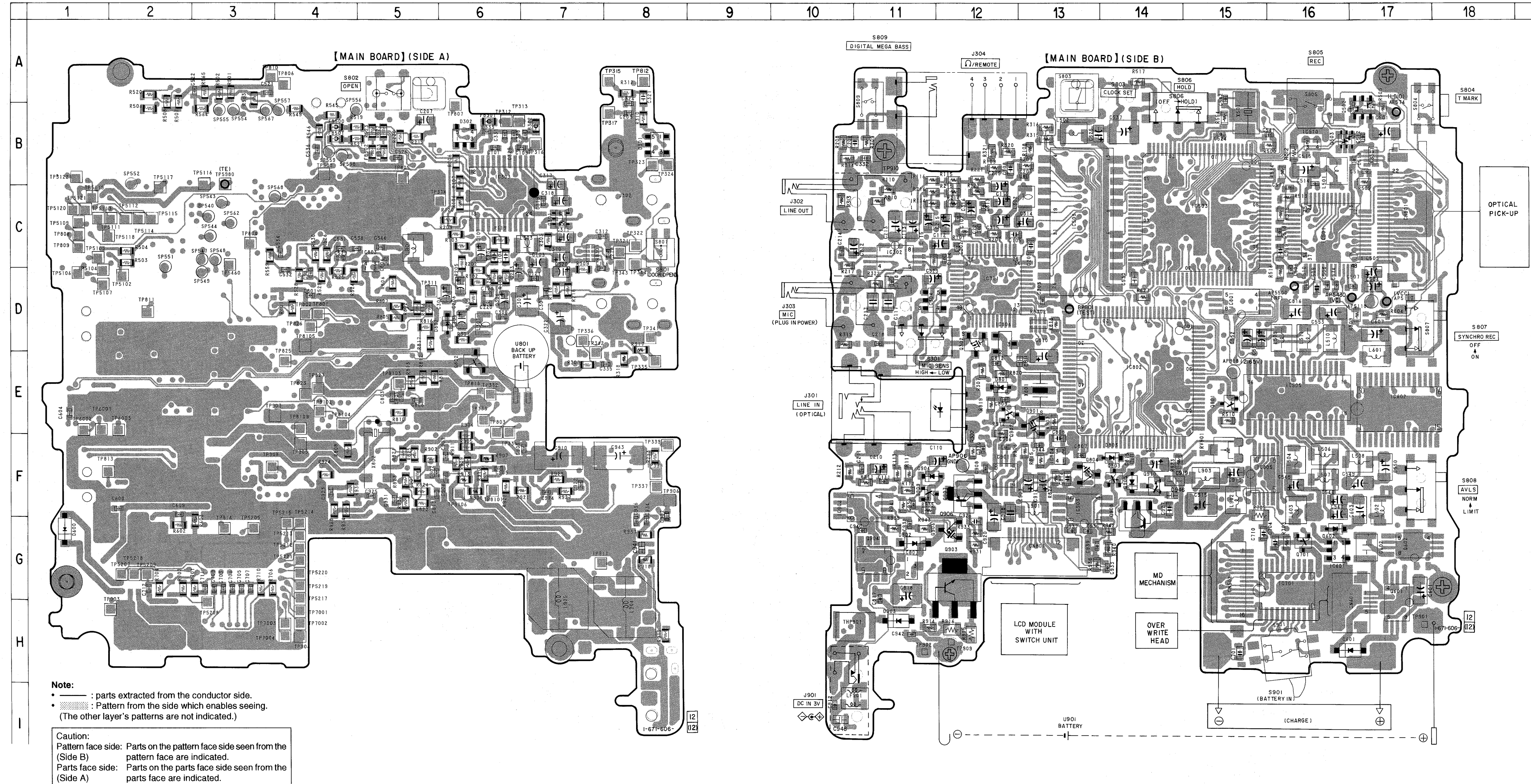
Note:
 • : parts extracted from the conductor side.
 • : Pattern from the side which enables seeing.
 (The other layer's patterns are not indicated.)

Caution:
 Pattern face side: Parts on the pattern face side seen from the (Side B) pattern face are indicated.
 Parts face side: Parts on the parts face side seen from the (Side A) parts face are indicated.

6-6. PRINTED WIRING BOARD (board part number suffix : -12) (US, Hong Kong, Tourist Model)

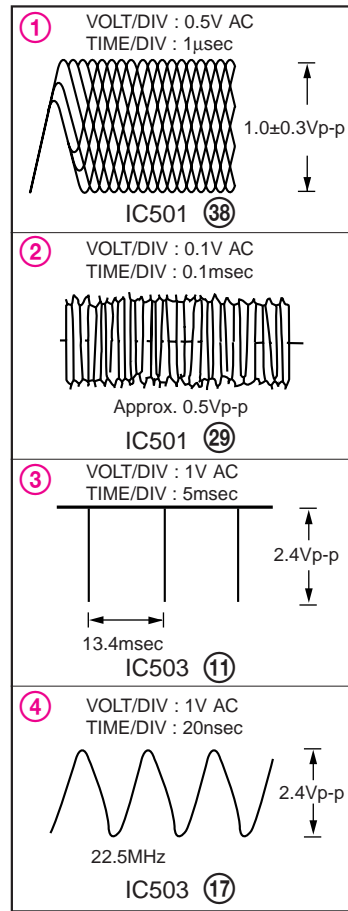
• Semiconductor Location

Ref. No.	Location
D301	B-8
D302	B-6
D600	G-1
D601	H-16
D602	G-16
D801	E-12
D802	D-6
D803	F-14
D902	G-11
D903	H-11
D904	F-11
D905	F-14
IC301	D-12
IC302	C-11
IC303	C-6
IC304	D-11
IC501	C-16
IC503	C-15
IC505	E-16
IC509	C-13
IC510	B-16
IC601	G-16
IC602	E-17
IC701	G-16
IC801	D-15
IC802	E-14
IC803	C-5
IC804	F-13
IC805	F-15
IC806	D-12
IC807	G-11
IC901	F-12
IC902	F-11
IC903	F-13
Q301	C-7
Q302	D-12
Q502	B-17
Q503	B-16
Q601	G-17
Q602	G-17
Q701	G-16
Q801	D-15
Q802	E-6
Q803	F-14
Q804	F-13
Q901	F-12
Q902	E-12
Q904	G-11
Q906	G-11
Q907	F-12
Q908	F-14
Q909	F-11
Q910	F-14



6-8. SCHEMATIC DIAGRAM — MAIN SECTION (1/3) — • Refer to page 49 for IC Block Diagrams.

• Waveforms

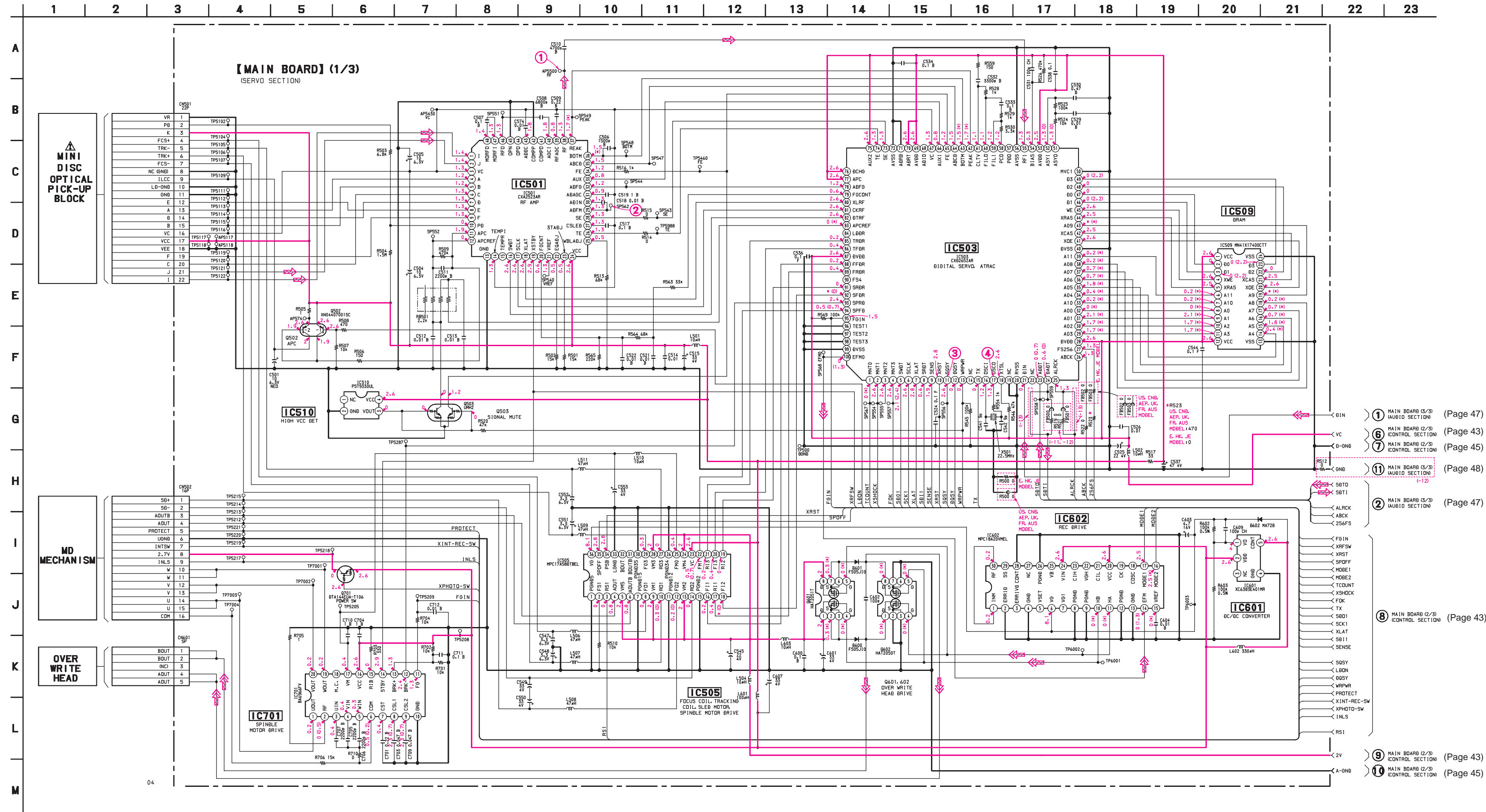


- Note:**
- All capacitors are in µF unless otherwise noted. pF: µF/100
 - 50 WV or less are not indicated except for electrolytics and tantalums.
 - All resistors are in Ω and 1/4 W or less unless otherwise specified.
 - % : indicates tolerance.

Note: The components identified by mark Δ or dotted line with mark Δ are critical for safety. Replace only with part number specified.

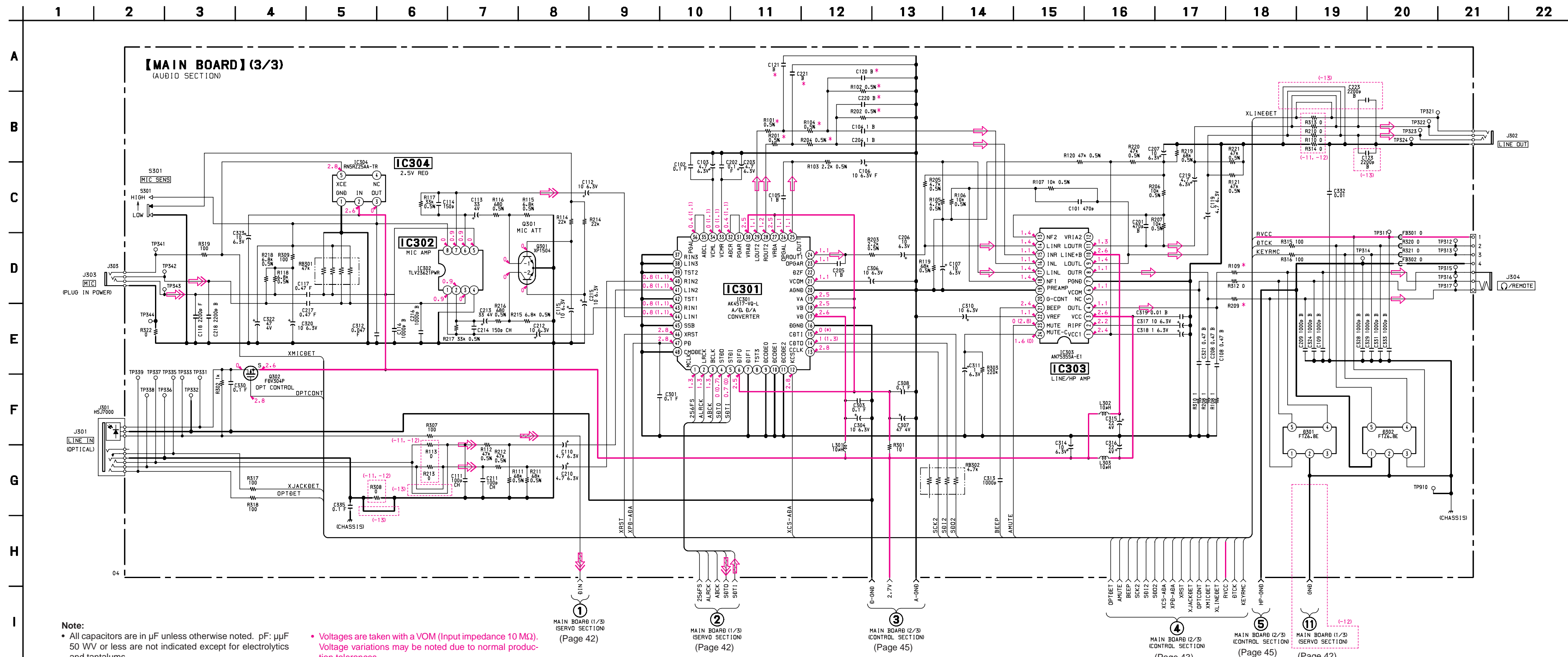
Note: Les composants identifiés par une marque Δ sont critiques pour la sécurité. Ne les remplacer que par une pièce portant le numéro spécifié.

- : B+ Line.
- Power voltage is dc 3 V and fed with regulated dc power supply from external power voltage jack.
- Voltage and waveforms are dc with respect to ground under no-signal conditions.
- () : REC
- * : Impossible to measure
- Voltages are taken with a VOM (Input impedance 10 MΩ). Voltage variations may be noted due to normal production tolerances.
- Waveforms are taken with an oscilloscope. Voltage variations may be noted due to normal production tolerances.
- Circled numbers refer to waveforms.
- Signal path.
- ⇒ : PB (digital)
- ⇒ : REC (digital)
- Abbreviation
- HK : Hong Kong model.
- JE : Tourist model.



- ① MAIN BOARD (3/3) (AUDIO SECTION) (Page 47)
- ② MAIN BOARD (3/3) (AUDIO SECTION) (Page 47)
- ③ MAIN BOARD (2/3) (CONTROL SECTION) (Page 43)
- ④ MAIN BOARD (2/3) (CONTROL SECTION) (Page 43)
- ⑤ MAIN BOARD (2/3) (CONTROL SECTION) (Page 45)
- ⑥ MAIN BOARD (2/3) (CONTROL SECTION) (Page 45)
- ⑦ MAIN BOARD (2/3) (CONTROL SECTION) (Page 45)
- ⑧ MAIN BOARD (2/3) (CONTROL SECTION) (Page 43)
- ⑨ MAIN BOARD (2/3) (CONTROL SECTION) (Page 43)
- ⑩ MAIN BOARD (2/3) (CONTROL SECTION) (Page 45)

6-10. SCHEMATIC DIAGRAM — MAIN SECTION (3/3) — • Refer to page 49 for IC Block Diagrams.



Note:

- All capacitors are in μF unless otherwise noted. pF : μpF 50 WV or less are not indicated except for electrolytics and tantalums.
- All resistors are in Ω and $1/4\text{W}$ or less unless otherwise specified.
- % : indicates tolerance.
- : panel designation.
- : B+ Line.
- Power voltage is dc 3 V and fed with regulated dc power supply from external power voltage jack.
- Voltage is dc with respect to ground under no-signal condition.
- no mark : PB () : REC

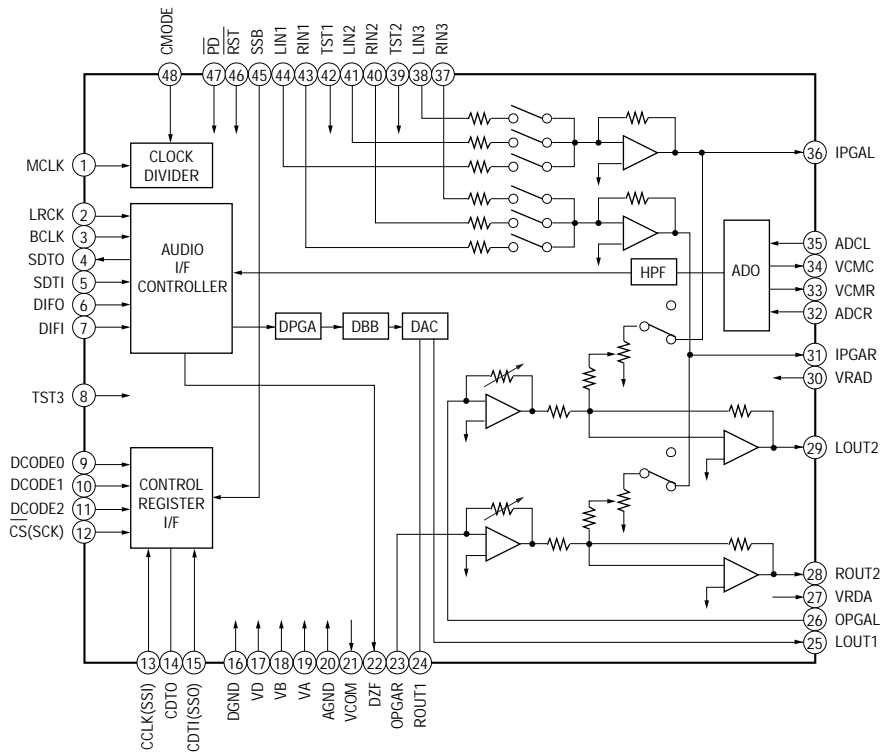
- Voltages are taken with a VOM (Input impedance 10 M Ω). Voltage variations may be noted due to normal production tolerances.
- Signal path.
 - : PB (analog)
 - ▢ : REC (analog)
 - ▣ : PB (digital)
 - ▤ : REC (digital)
- Abbreviation
 - HK : Hong Kong model.
 - JE : Tourist model.

*** DIFFERENCE LIST**

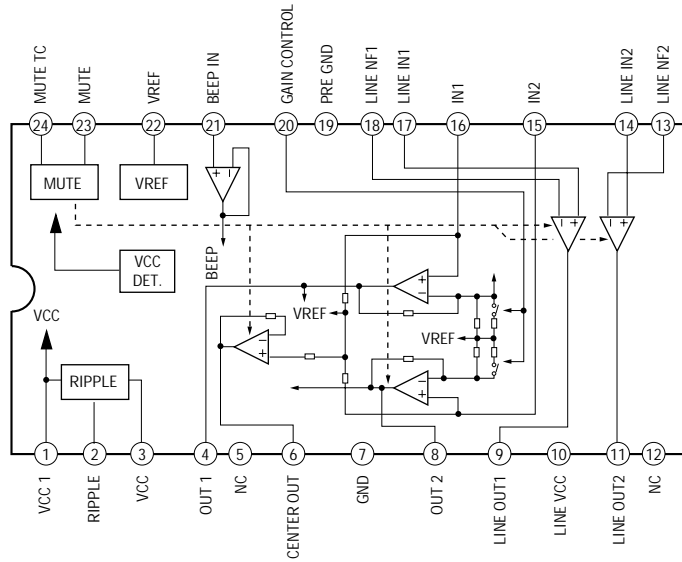
REF NO	US, CNB, E, HK, JE MODEL	AEP, UK, FR, AUS MODEL
C120, 121	0.0022	0.001
C220, 221		
R101, 201	1.5K	2.2K
R102, 202	10K	4.7K
R104, 204	1.5K	2.2K
R109, 209	0	3.3

• IC Block Diagrams

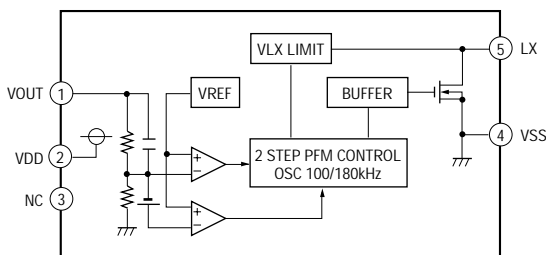
IC301 AK4517-VQ-L



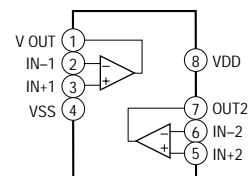
IC303 AN7535SA-E1



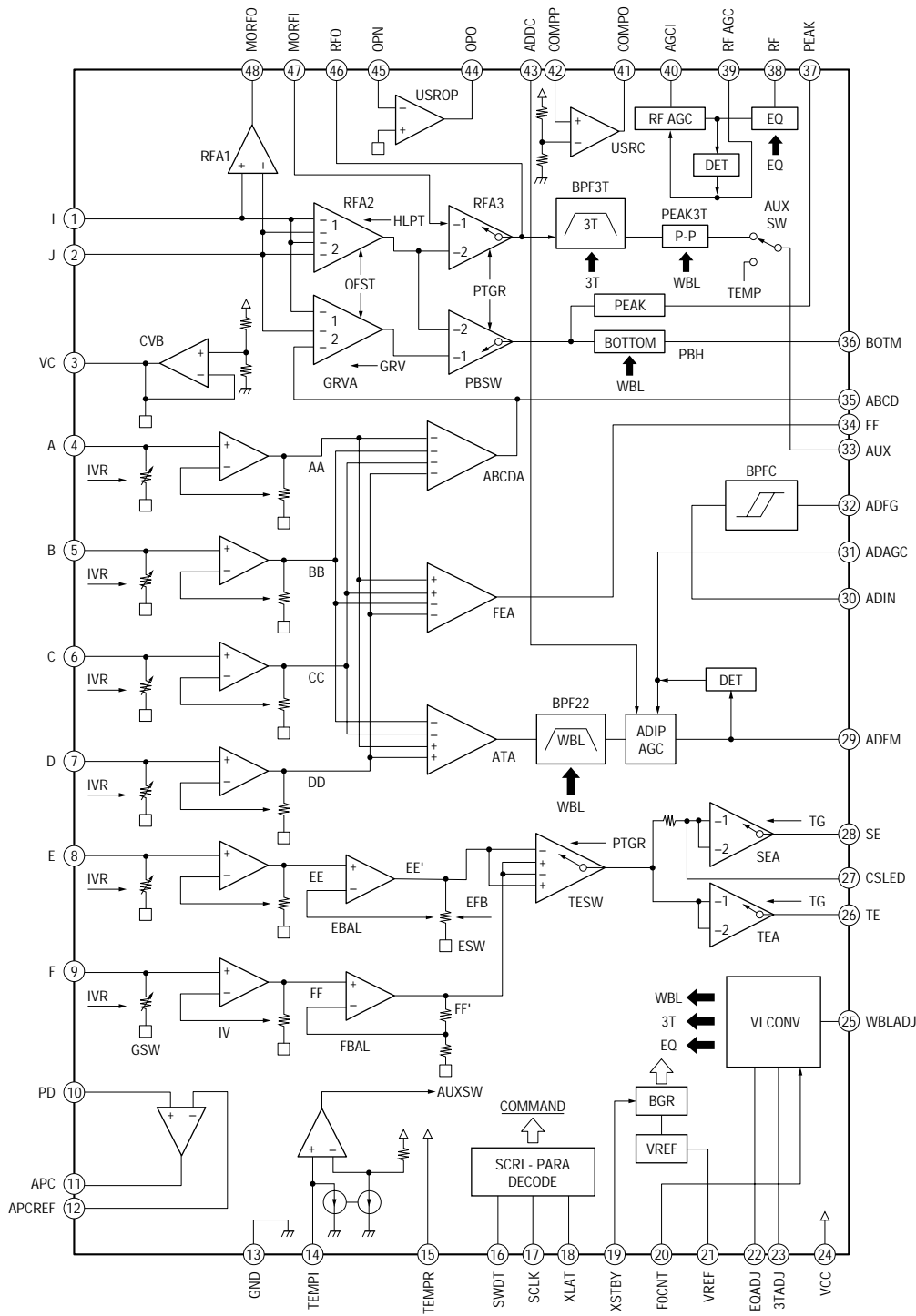
IC601 XC6383E401MR



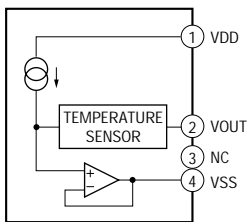
IC302 TLV23621PW



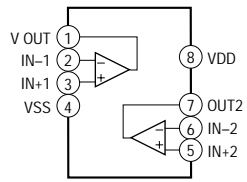
IC501 CXA2523AR



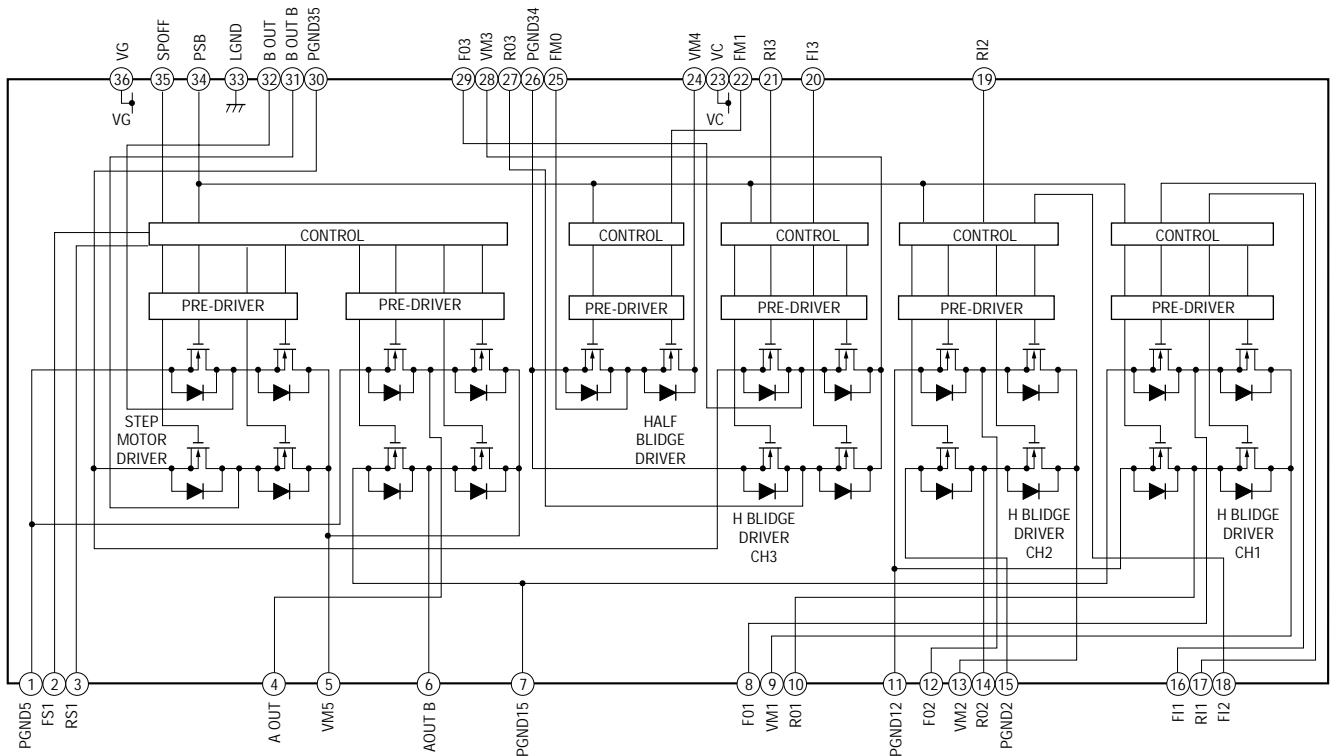
IC803 S-8110ANP-DSB-T2



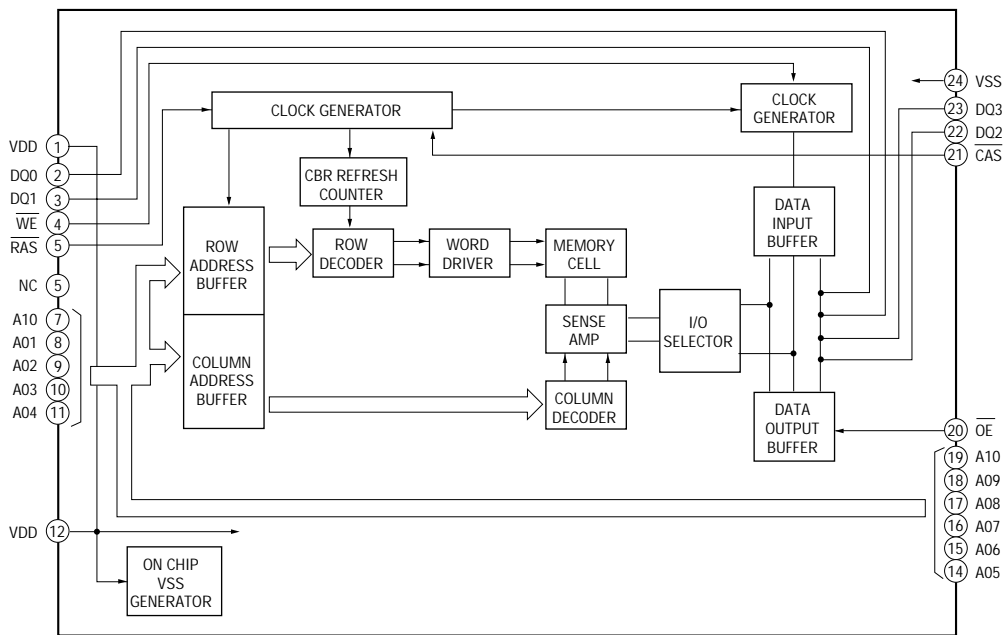
IC901 NJU7015M



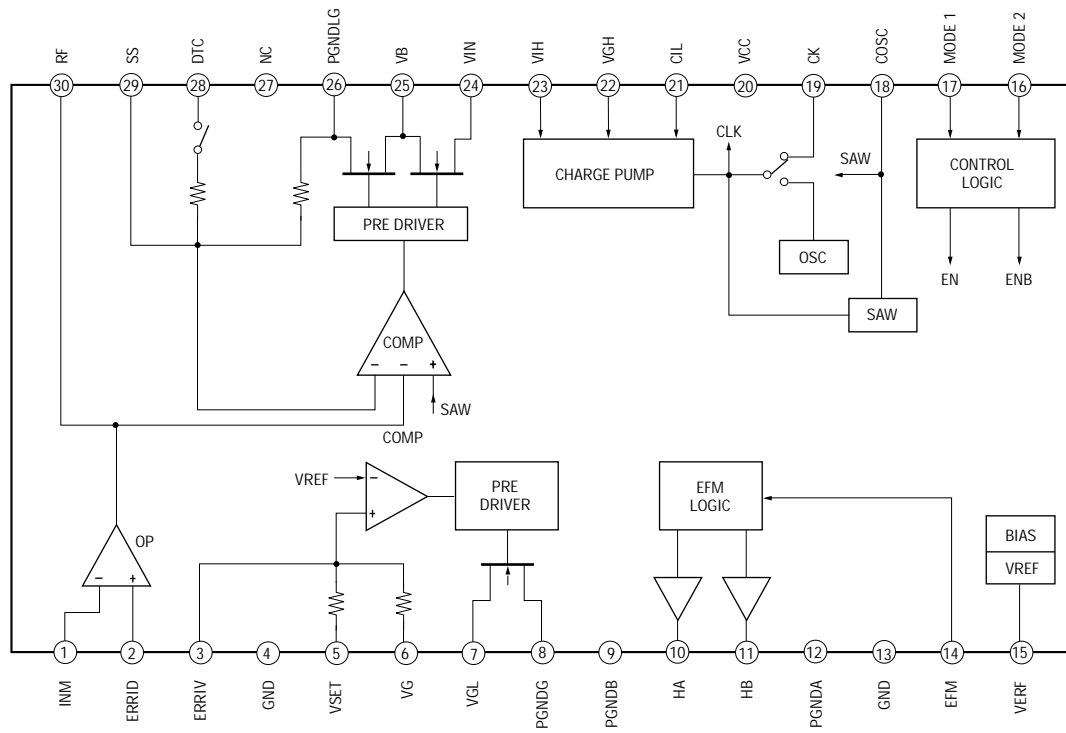
IC505 MPC17A58DTBEL



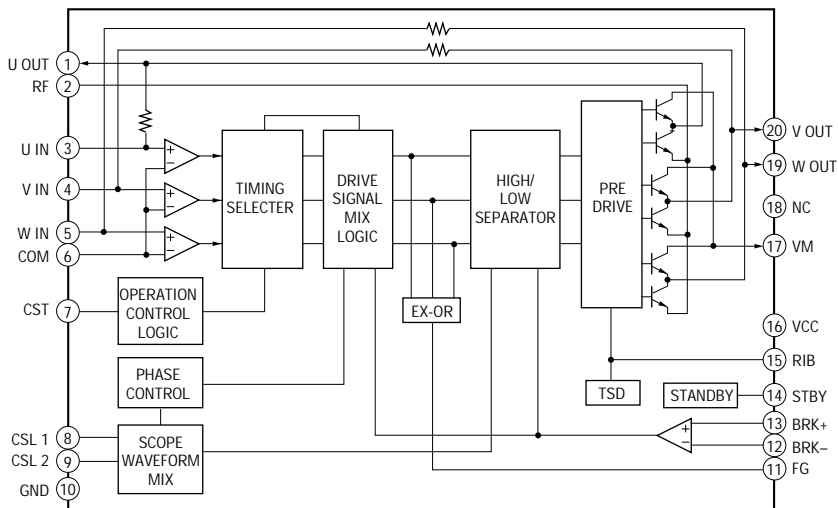
IC509 MN41X17400CTT



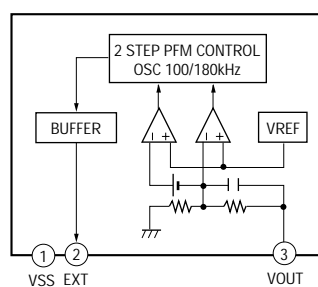
IC602 MPC18A20VMEL



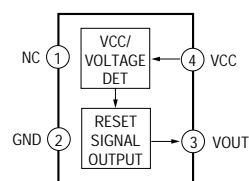
IC701 BA6966FV



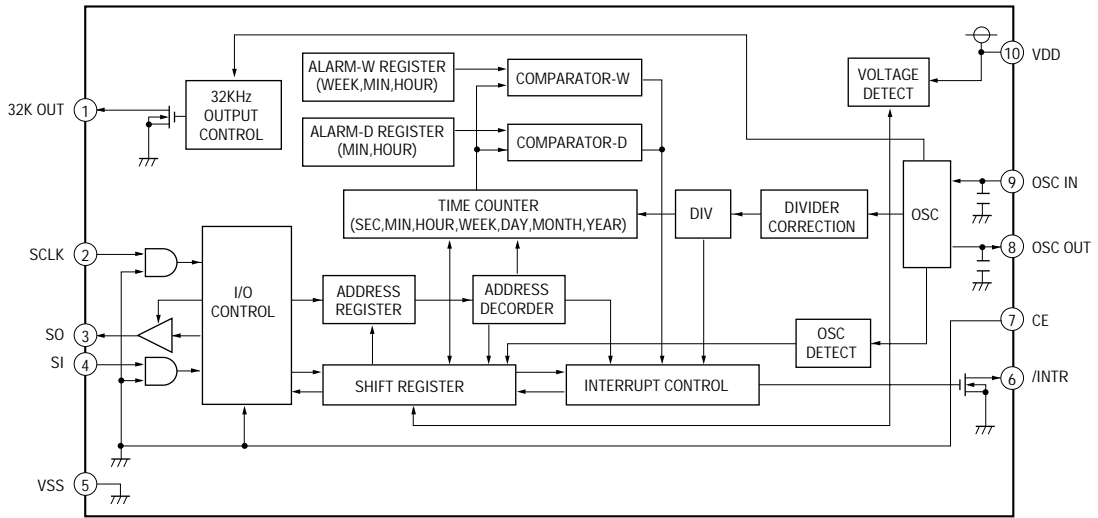
IC806 XC6383B331MR



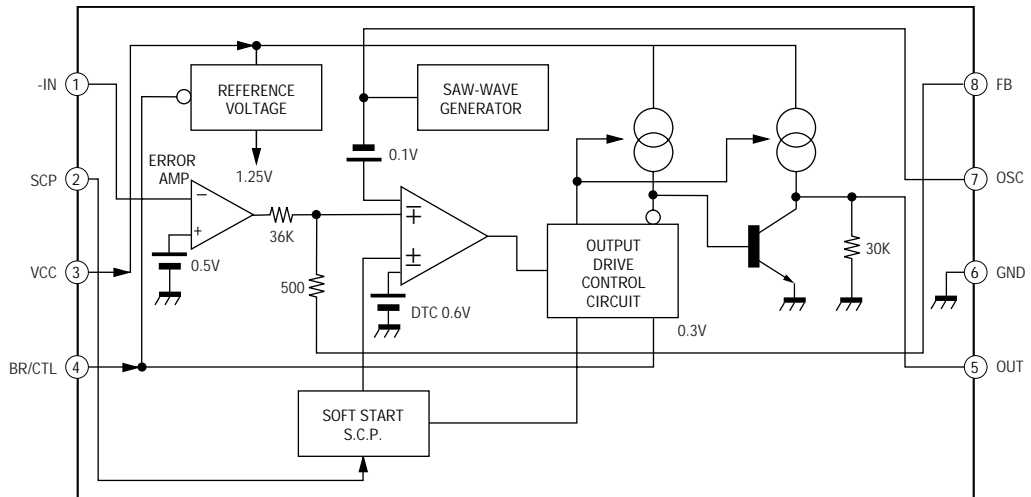
IC804 PST9325UL



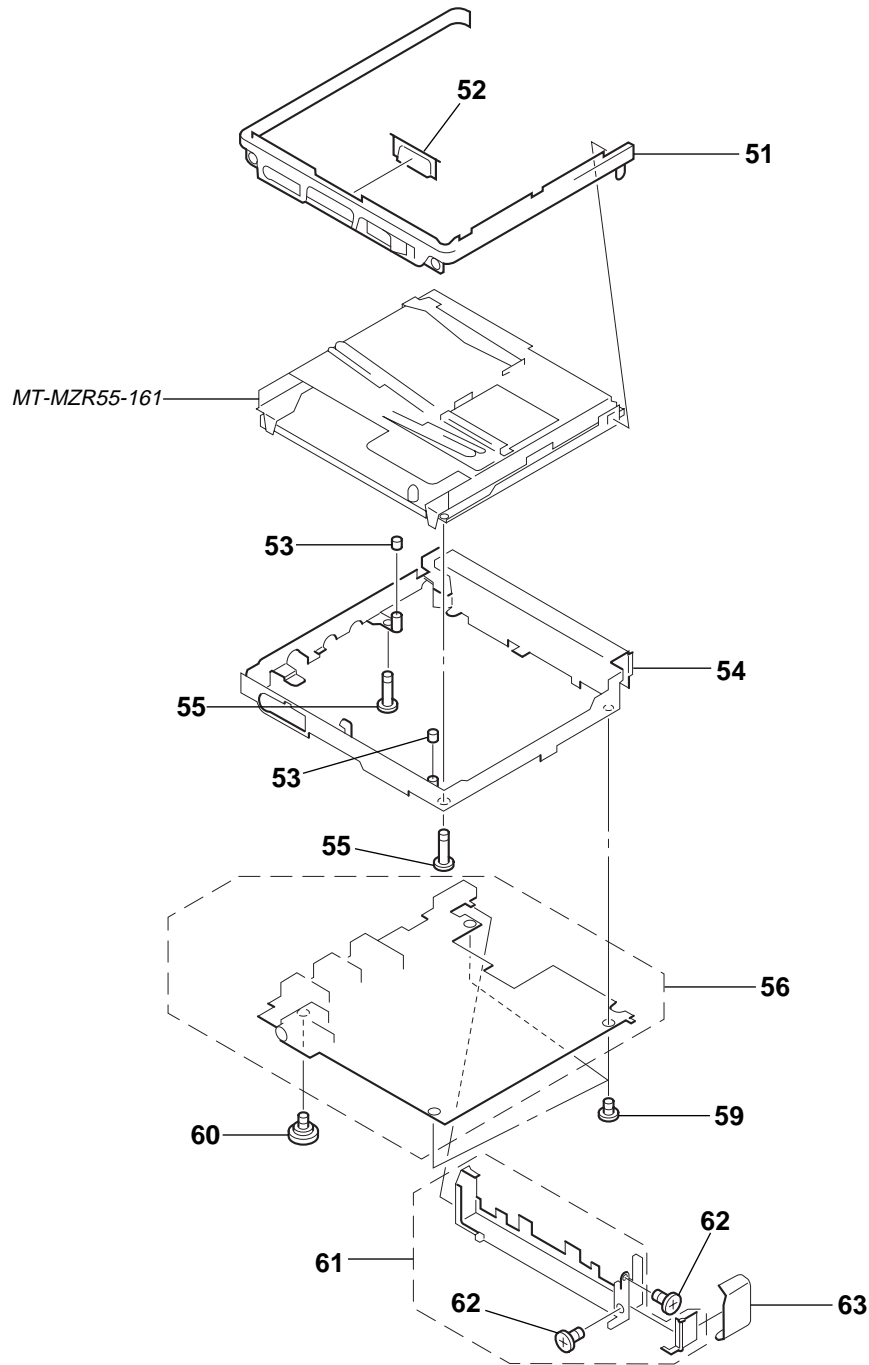
IC805 RS5C348A



IC902, 903 MB3800-M03

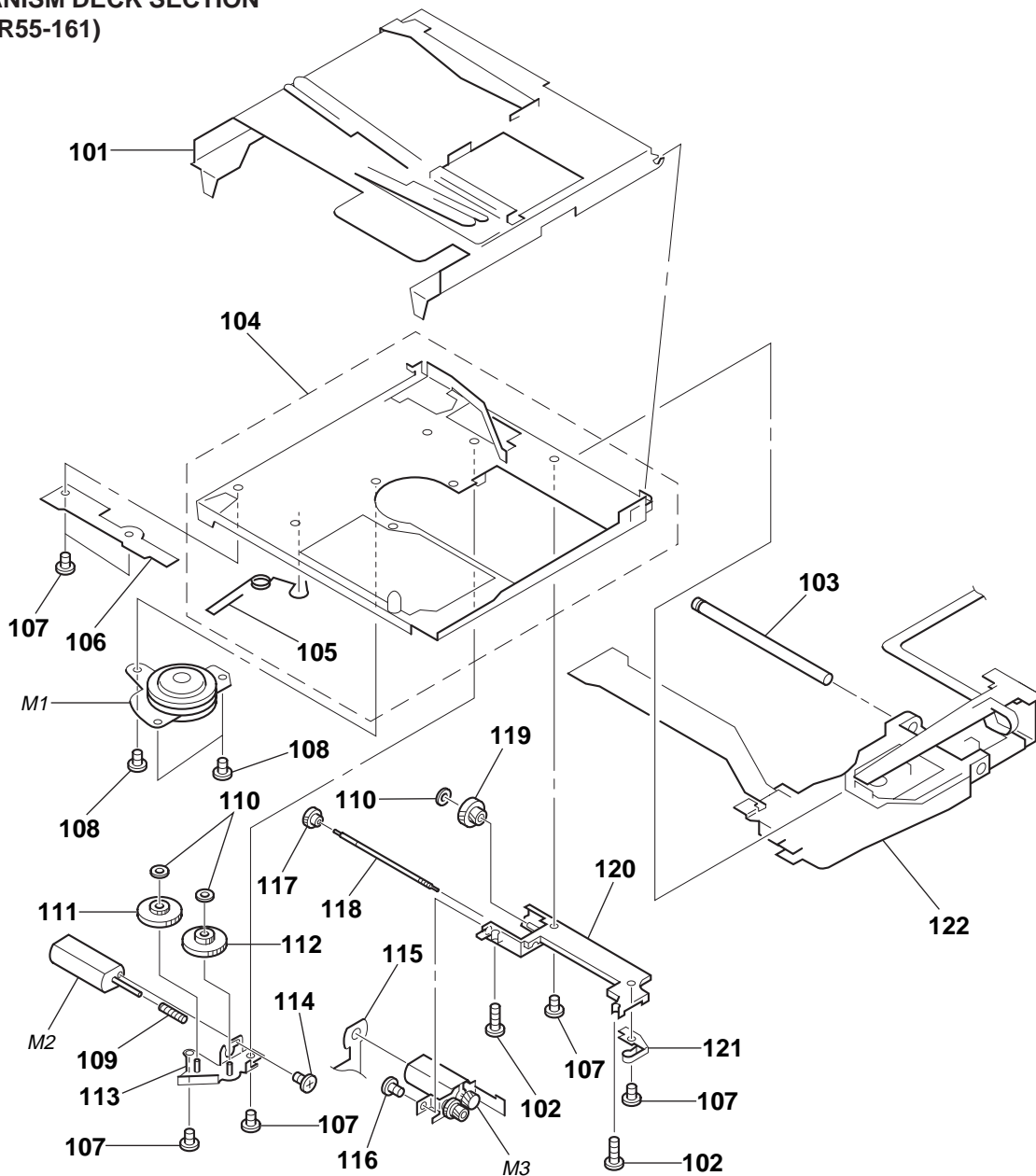


7-2. CHASSIS SECTION



Ref. No.	Part No.	Description	Remark	Ref. No.	Part No.	Description	Remark
51	X-4950-398-1	BELT ASSY, ORNAMENTAL		56	A-3323-131-A	MAIN BOARD, COMPLETE (AEP,UK,AUS)	
52	4-212-844-01	BUTTON (OPEN) (GOLD)		56	A-3323-132-A	MAIN BOARD, COMPLETE (FR)	
52	4-212-844-11	BUTTON (OPEN) (SILVER) ... (for BLUE, YELLOW)		59	3-335-797-91	SCREW (M1.4), TOOTHED LOCK	
53	4-212-820-01	DAMPER		60	4-995-436-01	SCREW (HP), STEP	
54	X-4950-396-3	CHASSIS (MAIN) ASSY		61	X-4950-397-3	CASE ASSY, BATTERY	
55	4-212-821-01	SCREW (MD), STEP		62	4-963-883-21	SCREW (M1.4), PRECISION PAN	
56	A-3323-076-A	MAIN BOARD, COMPLETE (E,HK,JE)		63	4-212-824-02	LID, BATTERY CASE (GOLD)	
56	A-3323-130-A	MAIN BOARD, COMPLETE (US,CND)		63	4-212-824-12	LID, BATTERY CASE (BLUE)	
				63	4-212-824-22	LID, BATTERY CASE (YELLOW)	

7-3. MECHANISM DECK SECTION (MT-MZR55-161)



<p>The components identified by mark Δ or dotted line with mark Δ are critical for safety. Replace only with part number specified.</p>	<p>Les composants identifiés par une marque Δ sont critiques pour la sécurité. Ne les remplacer que par une pièce portant le numéro spécifié.</p>
---	---

Ref. No.	Part No.	Description	Remark	Ref. No.	Part No.	Description	Remark
101	X-4950-391-1	HOLDER ASSY		114	4-212-862-01	SCREW (M1X1.3), PRECISION	
102	3-704-197-31	SCREW (M1.4X3.0), LOCKING		115	1-671-605-11	MD FLEXIBLE BOARD	
103	4-212-312-01	SHAFT, MAIN		116	3-015-033-01	SCREW (DIA. 1.4X4), PRECISION	
104	X-4950-390-1	CHASSIS ASSY		117	4-995-586-01	GEAR (SD)	
105	4-995-585-01	SPRING (LIMITER), TORSION		118	4-900-615-01	SCREW, LEAD	
106	1-418-079-11	PR UNIT		119	4-995-578-01	GEAR (SC)	
107	4-963-883-41	SCREW (M1.4), PRECISION PAN		120	X-4949-131-1	BRACKET (S) ASSY	
108	4-963-883-01	SCREW (M1.4), PRECISION PAN		121	4-995-571-01	SPRING, THRUST	
109	4-212-308-01	GEAR, WORM		Δ 122	X-4950-546-1	SERVICE ASSY, OP	
110	3-338-645-31	WASHER (0.8-2.5)		M1	1-763-011-11	MOTOR (SPINDLE) (INCLUDING TURNTABLE)	
111	4-212-310-01	GEAR (RACK)		M2	1-763-174-11	MOTOR, DC (LOADING)	
112	4-212-309-01	GEAR (WORM WHEEL)		M3	A-3311-972-A	MOTOR BLOCK ASSY, SLED	
113	X-4950-392-1	CHASSIS ASSY, GEAR					

SECTION 8 ELECTRICAL PARTS LIST

MAIN

NOTE:

- Due to standardization, replacements in the parts list may be different from the parts specified in the diagrams or the components used on the set.
- -XX and -X mean standardized parts, so they may have some difference from the original one.
- RESISTORS
All resistors are in ohms.
METAL: Metal-film resistor.
METAL OXIDE: Metal oxide-film resistor.
F: nonflammable
- Abbreviation
AUS : Australian model
CND : Canadian model
FR : French model
HK : Hong Kong model
JE : Tourist model

- Items marked “*” are not stocked since they are seldom required for routine service. Some delay should be anticipated when ordering these items.
- SEMICONDUCTORS
In each case, u : μ , for example:
uA.. : μ A.. uPA.. : μ PA..
uPB.. : μ PB.. uPC.. : μ PC.. uPD.. : μ PD..
- CAPACITORS
uF : μ F
- COILS
uH : μ H
- Board part number suffix
-11 : Number suffix is -11
-12 : Number suffix is -12
-13 : Number suffix is -13

The components identified by mark Δ or dotted line with mark Δ are critical for safety. Replace only with part number specified.

Les composants identifiés par une marque Δ sont critiques pour la sécurité. Ne les remplacer que par une pièce portant le numéro spécifié.

When indicating parts by reference number, please include the board.

Ref. No.	Part No.	Description	Remark	Ref. No.	Part No.	Description	Remark
	A-3323-076-A	MAIN BOARD, COMPLETE (E,HK,JE)		C211	1-164-874-11	CERAMIC CHIP 100PF 5%	16V
	A-3323-130-A	MAIN BOARD, COMPLETE (US,CND)		C212	1-117-919-11	TANTAL. CHIP 10uF 20%	6.3V
	A-3323-131-A	MAIN BOARD, COMPLETE (AEP,UK,AUS)		C213	1-119-749-11	TANTAL. CHIP 33uF 20%	4V
	A-3323-132-A	MAIN BOARD, COMPLETE (FR)		C214	1-164-878-11	CERAMIC CHIP 150PF 5%	16V
		*****		C215	1-117-919-11	TANTAL. CHIP 10uF 20%	6.3V
		< CAPACITOR >		C216	1-164-937-11	CERAMIC CHIP 0.001uF 10%	16V
C101	1-164-935-11	CERAMIC CHIP 470PF 10%	16V	C217	1-125-985-11	CERAMIC CHIP 0.47uF 10%	25V
C102	1-107-820-11	CERAMIC CHIP 0.1uF	16V	C218	1-164-939-11	CERAMIC CHIP 0.0022uF 10%	16V
C103	1-125-926-11	TANTAL. CHIP 4.7uF 20%	6.3V	C219	1-125-926-11	TANTAL. CHIP 4.7uF 20%	6.3V
C104	1-125-837-11	CERAMIC CHIP 1uF 10%	6.3V	C220	1-164-939-11	CERAMIC CHIP 0.0022uF 10%	16V
C105	1-125-837-11	CERAMIC CHIP 1uF 10%	6.3V				(US,CND,E,HK,JE)
C106	1-117-919-11	TANTAL. CHIP 10uF 20%	6.3V	C220	1-164-937-11	CERAMIC CHIP 0.001uF 10%	16V
C107	1-117-919-11	TANTAL. CHIP 10uF 20%	6.3V				(AEP,UK,FR,AUS)
C108	1-113-619-11	CERAMIC CHIP 0.47uF 10%	6.3V	C221	1-164-939-11	CERAMIC CHIP 0.0022uF 10%	16V
C109	1-164-937-11	CERAMIC CHIP 0.001uF 10%	16V				(US,CND,E,HK,JE)
C110	1-125-926-11	TANTAL. CHIP 4.7uF 20%	6.3V	C221	1-164-937-11	CERAMIC CHIP 0.001uF 10%	16V
							(AEP,UK,FR,AUS)
C111	1-164-874-11	CERAMIC CHIP 100PF 5%	16V	C223	1-164-939-11	CERAMIC CHIP 0.0022uF 10%	16V
C112	1-117-919-11	TANTAL. CHIP 10uF 20%	6.3V				(-13)
C113	1-119-749-11	TANTAL. CHIP 33uF 20%	4V	C301	1-107-820-11	CERAMIC CHIP 0.1uF	16V
C114	1-164-878-11	CERAMIC CHIP 150PF 5%	16V	C303	1-107-820-11	CERAMIC CHIP 0.1uF	16V
C115	1-117-919-11	TANTAL. CHIP 10uF 20%	6.3V	C304	1-117-919-11	TANTAL. CHIP 10uF 20%	6.3V
				C306	1-117-919-11	TANTAL. CHIP 10uF 20%	6.3V
C116	1-164-937-11	CERAMIC CHIP 0.001uF 10%	16V	C307	1-104-908-11	TANTAL. CHIP 47uF 20%	4V
C117	1-125-985-11	CERAMIC CHIP 0.47uF 10%	25V	C308	1-107-820-11	CERAMIC CHIP 0.1uF	16V
C118	1-164-939-11	CERAMIC CHIP 0.0022uF 10%	16V				
C119	1-125-926-11	TANTAL. CHIP 4.7uF 20%	6.3V	C310	1-117-919-11	TANTAL. CHIP 10uF 20%	6.3V
C120	1-164-939-11	CERAMIC CHIP 0.0022uF 10%	16V	C311	1-135-337-11	TANTAL. CHIP 1uF 20%	6.3V
			(US,CND,E,HK,JE)	C312	1-164-949-11	CERAMIC CHIP 0.047uF	16V
C120	1-164-937-11	CERAMIC CHIP 0.001uF 10%	16V	C313	1-164-937-11	CERAMIC CHIP 0.001uF 10%	16V
			(AEP,UK,FR,AUS)	C314	1-117-919-11	TANTAL. CHIP 10uF 20%	6.3V
C121	1-164-939-11	CERAMIC CHIP 0.0022uF 10%	16V				
			(US,CND,E,HK,JE)	C315	1-125-984-21	TANTAL. CHIP 22uF 20%	4V
C121	1-164-937-11	CERAMIC CHIP 0.001uF 10%	16V	C316	1-125-984-21	TANTAL. CHIP 22uF 20%	4V
			(AEP,UK,FR,AUS)	C317	1-117-919-11	TANTAL. CHIP 10uF 20%	6.3V
C123	1-164-939-11	CERAMIC CHIP 0.0022uF 10%	16V	C318	1-135-337-11	TANTAL. CHIP 1uF 20%	6.3V
			(-13)	C319	1-164-943-11	CERAMIC CHIP 0.01uF 10%	16V
C201	1-164-935-11	CERAMIC CHIP 470PF 10%	16V				
C202	1-107-820-11	CERAMIC CHIP 0.1uF	16V	C320	1-117-919-11	TANTAL. CHIP 10uF 20%	6.3V
C203	1-125-926-11	TANTAL. CHIP 4.7uF 20%	6.3V	C321	1-113-619-11	CERAMIC CHIP 0.47uF 10%	6.3V
C204	1-125-837-11	CERAMIC CHIP 1uF 10%	6.3V	C322	1-104-908-11	TANTAL. CHIP 47uF 20%	4V
C205	1-125-837-11	CERAMIC CHIP 1uF 10%	6.3V	C323	1-117-919-11	TANTAL. CHIP 10uF 20%	6.3V
C206	1-117-919-11	TANTAL. CHIP 10uF 20%	6.3V	C324	1-164-937-11	CERAMIC CHIP 0.001uF 10%	16V
C207	1-117-919-11	TANTAL. CHIP 10uF 20%	6.3V				
C208	1-113-619-11	CERAMIC CHIP 0.47uF 10%	6.3V	C328	1-164-937-11	CERAMIC CHIP 0.001uF 10%	16V
C209	1-164-937-11	CERAMIC CHIP 0.001uF 10%	16V	C329	1-164-937-11	CERAMIC CHIP 0.001uF 10%	16V
C210	1-125-926-11	TANTAL. CHIP 4.7uF 20%	6.3V	C330	1-125-777-11	CERAMIC CHIP 0.1uF 10%	10V
				C331	1-164-937-11	CERAMIC CHIP 0.001uF 10%	16V
				C332	1-164-943-11	CERAMIC CHIP 0.01uF 10%	16V

MAIN

Ref. No.	Part No.	Description			Remark	Ref. No.	Part No.	Description			Remark
C333	1-164-937-11	CERAMIC CHIP	0.001uF	10%	16V	C707	1-164-939-11	CERAMIC CHIP	0.0022uF	10%	16V
C335	1-107-820-11	CERAMIC CHIP	0.1uF		16V	* C709	1-119-923-81	CERAMIC CHIP	0.047uF	10%	10V
C501	1-115-169-11	TANTALUM	10uF	20%	6.3V	C710	1-125-837-11	CERAMIC CHIP	1uF	10%	6.3V
C504	1-117-919-11	TANTAL. CHIP	10uF	20%	6.3V	C711	1-125-777-11	CERAMIC CHIP	0.1uF	10%	10V
C505	1-117-919-11	TANTAL. CHIP	10uF	20%	6.3V	C712	1-164-943-11	CERAMIC CHIP	0.01uF	10%	16V
C506	1-164-938-11	CERAMIC CHIP	0.0015uF	10%	16V	C801	1-107-820-11	CERAMIC CHIP	0.1uF		16V
C507	1-125-777-11	CERAMIC CHIP	0.1uF	10%	10V	C803	1-164-874-11	CERAMIC CHIP	100PF	5%	16V
C508	1-164-942-11	CERAMIC CHIP	0.0068uF	10%	16V	C804	1-164-874-11	CERAMIC CHIP	100PF	5%	16V
C509	1-115-467-11	CERAMIC CHIP	0.22uF	10%	10V	C805	1-164-874-11	CERAMIC CHIP	100PF	5%	16V
C510	1-164-941-11	CERAMIC CHIP	0.0047uF	10%	16V	C806	1-164-874-11	CERAMIC CHIP	100PF	5%	16V
C511	1-164-939-11	CERAMIC CHIP	0.0022uF	10%	16V	C807	1-107-820-11	CERAMIC CHIP	0.1uF		16V
C512	1-164-943-11	CERAMIC CHIP	0.01uF	10%	16V	C808	1-125-837-11	CERAMIC CHIP	1uF	10%	6.3V
C513	1-164-943-11	CERAMIC CHIP	0.01uF	10%	16V	C809	1-107-820-11	CERAMIC CHIP	0.1uF		16V
C514	1-164-943-11	CERAMIC CHIP	0.01uF	10%	16V	C810	1-119-750-11	TANTAL. CHIP	22uF	20%	6.3V
C515	1-119-749-11	TANTAL. CHIP	33uF	20%	4V	C811	1-164-943-11	CERAMIC CHIP	0.01uF	10%	16V
C517	1-125-777-11	CERAMIC CHIP	0.1uF	10%	10V	C812	1-164-940-11	CERAMIC CHIP	0.0033uF	10%	16V
C518	1-164-943-11	CERAMIC CHIP	0.01uF	10%	16V	C813	1-164-943-11	CERAMIC CHIP	0.01uF	10%	16V
C519	1-125-837-11	CERAMIC CHIP	1uF	10%	6.3V	C814	1-125-837-11	CERAMIC CHIP	1uF	10%	6.3V
C521	1-164-943-11	CERAMIC CHIP	0.01uF	10%	16V	C815	1-164-943-11	CERAMIC CHIP	0.01uF	10%	16V
C522	1-164-943-11	CERAMIC CHIP	0.01uF	10%	16V	C816	1-119-749-11	TANTAL. CHIP	33uF	20%	4V (-11)
C524	1-107-820-11	CERAMIC CHIP	0.1uF		16V	C816	1-127-569-11	TANTAL. CHIP	100uF	20%	4V (-12)
C525	1-125-984-21	TANTAL. CHIP	22uF	20%	4V	C817	1-164-943-11	CERAMIC CHIP	0.01uF	10%	16V
C526	1-164-943-11	CERAMIC CHIP	0.01uF	10%	16V	C818	1-127-569-11	TANTAL. CHIP	100uF	20%	4V
C529	1-164-943-11	CERAMIC CHIP	0.01uF	10%	16V	C822	1-164-939-11	CERAMIC CHIP	0.0022uF	10%	16V (-13)
C530	1-113-619-11	CERAMIC CHIP	0.47uF	10%	6.3V	C902	1-107-820-11	CERAMIC CHIP	0.1uF		16V
C531	1-164-874-11	CERAMIC CHIP	100PF	5%	16V	C903	1-127-578-11	TANTAL. CHIP	3.3uF	20%	6.3V
C532	1-164-940-11	CERAMIC CHIP	0.0033uF	10%	16V	C904	1-125-777-11	CERAMIC CHIP	0.1uF	10%	10V
C533	1-125-777-11	CERAMIC CHIP	0.1uF	10%	10V	C905	1-164-943-11	CERAMIC CHIP	0.01uF	10%	16V
C534	1-125-777-11	CERAMIC CHIP	0.1uF	10%	10V	C906	1-164-943-11	CERAMIC CHIP	0.01uF	10%	16V
C536	1-107-820-11	CERAMIC CHIP	0.1uF		16V	C907	1-125-777-11	CERAMIC CHIP	0.1uF	10%	10V
C537	1-104-908-11	TANTAL. CHIP	47uF	20%	4V	C908	1-164-943-11	CERAMIC CHIP	0.01uF	10%	16V
C538	1-125-777-11	CERAMIC CHIP	0.1uF	10%	10V	C909	1-164-943-11	CERAMIC CHIP	0.01uF	10%	16V
C541	1-164-849-11	CERAMIC CHIP	9PF	0.5PF	16V	C910	1-111-253-11	TANTAL. CHIP	100uF	20%	6.3V
C542	1-164-849-11	CERAMIC CHIP	9PF	0.5PF	16V	C912	1-164-943-11	CERAMIC CHIP	0.01uF	10%	16V
C544	1-107-820-11	CERAMIC CHIP	0.1uF		16V	C913	1-117-919-11	TANTAL. CHIP	10uF	20%	6.3V
C545	1-125-984-21	TANTAL. CHIP	22uF	20%	4V	C914	1-117-919-11	TANTAL. CHIP	10uF	20%	6.3V
C547	1-127-578-11	TANTAL. CHIP	3.3uF	20%	6.3V	C915	1-117-569-11	TANTAL. CHIP	100uF	20%	4V
C548	1-127-578-11	TANTAL. CHIP	3.3uF	20%	6.3V	C918	1-117-720-11	CERAMIC CHIP	4.7uF		10V
C549	1-119-749-11	TANTAL. CHIP	33uF	20%	4V	C919	1-117-720-11	CERAMIC CHIP	4.7uF		10V
C550	1-119-749-11	TANTAL. CHIP	33uF	20%	4V	C920	1-115-169-11	TANTALUM	10uF	20%	6.3V
C551	1-127-578-11	TANTAL. CHIP	3.3uF	20%	6.3V	C921	1-115-169-11	TANTALUM	10uF	20%	6.3V
C552	1-127-578-11	TANTAL. CHIP	3.3uF	20%	6.3V	C922	1-164-943-11	CERAMIC CHIP	0.01uF	10%	16V
C553	1-119-749-11	TANTAL. CHIP	33uF	20%	4V	C923	1-164-943-11	CERAMIC CHIP	0.01uF	10%	16V
C574	1-164-943-11	CERAMIC CHIP	0.01uF	10%	16V	C924	1-164-874-11	CERAMIC CHIP	100PF	5%	16V
C600	1-125-777-11	CERAMIC CHIP	0.1uF	10%	10V	C925	1-164-874-11	CERAMIC CHIP	100PF	5%	16V
C601	1-119-749-11	TANTAL. CHIP	33uF	20%	4V	C926	1-125-837-11	CERAMIC CHIP	1uF	10%	6.3V
C602	1-109-813-11	CAP,CHIP	100PF	5%	100V	C927	1-125-837-11	CERAMIC CHIP	1uF	10%	6.3V
C603	1-107-686-11	TANTAL. CHIP	4.7uF	20%	16V	C930	1-164-938-11	CERAMIC CHIP	0.0015uF	10%	16V
C604	1-164-943-11	CERAMIC CHIP	0.01uF	10%	16V	C931	1-164-938-11	CERAMIC CHIP	0.0015uF	10%	16V
C607	1-119-749-11	TANTAL. CHIP	33uF	20%	4V	C932	1-164-935-11	CERAMIC CHIP	470PF	10%	16V
C609	1-164-874-11	CERAMIC CHIP	100PF	5%	16V	C933	1-164-936-11	CERAMIC CHIP	680PF	10%	16V
C701	1-115-467-11	CERAMIC CHIP	0.22uF	10%	10V	C934	1-164-943-11	CERAMIC CHIP	0.01uF	10%	16V
* C703	1-119-923-81	CERAMIC CHIP	0.047uF	10%	10V	C935	1-164-943-11	CERAMIC CHIP	0.01uF	10%	16V
C704	1-125-837-11	CERAMIC CHIP	1uF	10%	6.3V	C936	1-107-819-11	CERAMIC CHIP	0.022uF	10%	16V
C705	1-164-939-11	CERAMIC CHIP	0.0022uF	10%	16V	C937	1-107-819-11	CERAMIC CHIP	0.022uF	10%	16V
C706	1-164-939-11	CERAMIC CHIP	0.0022uF	10%	16V	C938	1-125-777-11	CERAMIC CHIP	0.1uF	10%	10V

Ref. No.	Part No.	Description	Remark	Ref. No.	Part No.	Description	Remark
C939	1-125-777-11	CERAMIC CHIP	0.1uF 10% 10V	IC510	8-759-487-20	IC PST9330UL	
C940	1-164-943-11	CERAMIC CHIP	0.01uF 10% 16V	IC601	8-759-559-94	IC XC6383E401MR	
C941	1-164-943-11	CERAMIC CHIP	0.01uF 10% 16V	IC602	8-759-329-43	IC MPC18A20VM	
C942	1-164-937-11	CERAMIC CHIP	0.001uF 10% 16V	IC701	8-759-559-62	IC BA6966FV-E2	
C943	1-111-253-11	TANTAL. CHIP	100uF 20% 6.3V	IC801	8-759-468-72	IC AK6420AM-E2	
C944	1-164-937-11	CERAMIC CHIP	0.001uF 10% 16V	IC802	8-752-904-97	IC CXP740010-015R	
C946	1-164-935-11	CERAMIC CHIP	470PF 10% 16V	IC803	8-759-559-93	IC S-8110ANP-DSB-T2	
C948	1-107-826-91	CERAMIC CHIP	0.1uF 16V	IC804	8-759-559-95	IC PST9325UL	
			(-11)	IC805	8-759-560-17	IC RS5C348A-E2	
		< CONNECTOR >		IC806	8-759-530-10	IC XC6383B331MR	
* CN501	1-764-504-21	CONNECTOR, FPC (ZIF) 22P		IC807	8-759-569-24	IC XC62FP2802MR	
CN502	1-778-164-21	CONNECTOR, FFC/FPC (ZIF) 16P		IC901	8-759-559-89	IC NJU7015R-TE2	
CN601	1-778-711-11	CONNECTOR, FFC/FPC (ZIF) 5P		IC902	8-759-427-21	IC MB3800PFV-G-BND-EF	
CN801	1-778-160-11	CONNECTOR, FFC/FPC (ZIF) 12P		IC903	8-759-427-21	IC MB3800PFV-G-BND-EF	
		< DIODE >		J301	8-749-015-08	IC SJ7000 (LINE IN (OPTICAL))	
D301	8-719-066-17	DIODE FTZ6.8E-T148				< JACK >	
D302	8-719-066-17	DIODE FTZ6.8E-T148		J302	1-779-881-11	JACK (LINE OUT)	
D600	8-719-072-10	DIODE FS05J10-TP		J303	1-779-881-21	JACK (MIC)	
D601	8-719-072-10	DIODE FS05J10-TP		J304	1-778-179-11	JACK (⊘/REMOTE)	
D602	8-719-421-27	DIODE MA728		J901	1-785-383-11	JACK, DC (POLARITY UNIFIED TYPE)	(DC IN 3V)
D801	8-719-421-27	DIODE MA728				< COIL >	
D802	8-719-072-27	DIODE MA2Z748001S0		L301	1-414-754-11	INDUCTOR 10uH	
D803	8-719-421-27	DIODE MA728		L302	1-414-754-11	INDUCTOR 10uH	
D902	8-719-072-26	DIODE FS1J3-TP		L303	1-414-754-11	INDUCTOR 10uH	
D903	8-719-072-26	DIODE FS1J3-TP		L501	1-414-398-41	INDUCTOR 10uH	
D904	8-719-988-62	DIODE 1SS355		L502	1-414-398-41	INDUCTOR 10uH	
D905	8-719-988-62	DIODE 1SS355		L504	1-414-398-41	INDUCTOR 10uH	
		< JUMPER RESISTOR >		L506	1-410-389-31	INDUCTOR CHIP 47uH	
FB301	1-500-444-11	INDUCTOR, FERRITE BEAD		L507	1-410-389-31	INDUCTOR CHIP 47uH	
FB302	1-500-444-11	INDUCTOR, FERRITE BEAD		L508	1-410-389-31	INDUCTOR CHIP 47uH	
FB500	1-216-864-11	METAL CHIP 0 5% 1/16W	(-11,-12)	L509	1-410-389-31	INDUCTOR CHIP 47uH	
FB501	1-216-864-11	METAL CHIP 0 5% 1/16W	(-11,-12)	L510	1-414-398-41	INDUCTOR 10uH	
FB502	1-216-864-11	METAL CHIP 0 5% 1/16W	(E,HK,JE)	L511	1-410-389-31	INDUCTOR CHIP 47uH	
FB502	1-500-444-11	INDUCTOR, FERRITE BEAD		L601	1-414-404-41	INDUCTOR 100uH	
		(US,CND,AEP,UK,FR,AUS)		L602	1-412-330-41	INDUCTOR 330uH	
FB503	1-216-864-11	METAL CHIP 0 5% 1/16W	(E,HK,JE)	L603	1-414-398-41	INDUCTOR 10uH	
FB503	1-500-444-11	INDUCTOR, FERRITE BEAD		L801	1-414-398-41	INDUCTOR 10uH	
		(US,CND,AEP,UK,FR,AUS)		L901	1-414-398-41	INDUCTOR 10uH	
		< IC >		L902	1-414-398-41	INDUCTOR 10uH	
IC301	8-759-559-61	IC AK4517-VQ-L		L903	1-414-398-41	INDUCTOR 10uH	
IC302	8-759-536-71	IC TLV23621PWR		L904	1-424-673-41	COIL, CHOKE 4.7uH	
IC303	8-759-559-58	IC AN7535SA-E1		L905	1-424-673-41	COIL, CHOKE 4.7uH	
IC304	8-759-559-91	IC RN5RZ25AA-TR				< EMI FILTER >	
IC501	8-752-080-95	IC CXA2523AR		LF901	1-416-405-21	FILTER, CHIP EMI (COMMON MODE)	
IC503	8-752-384-47	IC CXD2652AR				< TRANSISTOR >	
IC505	8-759-559-60	IC MPC17A58DTBEL		Q301	8-729-012-88	TRANSISTOR XP1504-(TX)	
IC509	8-759-559-57	IC MN41X17400CTT-10T1		Q302	8-729-046-49	TRANSISTOR FDV304P	
				Q502	8-729-046-46	TRANSISTOR XN04407001SO	

MAIN

Ref. No.	Part No.	Description	Remark	Ref. No.	Part No.	Description	Remark
Q503	8-729-930-13	TRANSISTOR UMH2		R201	1-218-851-11	RES, CHIP	1.5K 0.50% 1/16W (US,CND,E,HK,JE)
Q601	8-729-046-43	TRANSISTOR HAT2051T-EL		R201	1-218-855-11	RES, CHIP	2.2K 0.5% 1/16W (AEP,UK,FR,AUS)
Q602	8-729-046-42	TRANSISTOR HAT2050T-EL		R202	1-218-871-11	RES, CHIP	10K 0.50% 1/16W (US,CND,E,HK,JE)
Q701	8-729-028-91	TRANSISTOR DTA144EUA-T106		R202	1-218-863-11	RES, CHIP	4.7K 0.5% 1/16W (AEP,UK,FR,AUS)
Q801	8-729-028-91	TRANSISTOR DTA144EUA-T106		R203	1-218-855-11	RES, CHIP	2.2K 0.50% 1/16W
Q802	8-729-041-51	TRANSISTOR FMMT617TA		R204	1-218-851-11	RES, CHIP	1.5K 0.50% 1/16W (US,CND,E,HK,JE)
Q803	8-729-905-35	TRANSISTOR 2SC4081-R		R204	1-218-855-11	RES, CHIP	2.2K 0.5% 1/16W (AEP,UK,FR,AUS)
Q804	8-729-046-48	TRANSISTOR FDV303N		R205	1-218-863-11	RES, CHIP	4.7K 0.50% 1/16W
Q901	8-729-046-49	TRANSISTOR FDV304P		R206	1-218-871-11	RES, CHIP	10K 0.50% 1/16W
Q902	8-729-905-35	TRANSISTOR 2SC4081-R		R207	1-218-871-11	RES, CHIP	10K 0.50% 1/16W
Q903	8-729-047-10	TRANSISTOR FZT688BTC		R208	1-218-446-11	METAL CHIP	1 5% 1/16W
Q904	8-729-046-50	TRANSISTOR NDH8303N		R209	1-216-864-11	METAL CHIP	0 5% 1/16W (US,CND,E,HK,JE)
Q906	8-729-046-45	TRANSISTOR SI2302DS-T1		R209	1-216-791-11	METAL CHIP	3.3 5% 1/16W (AEP,UK,FR,AUS)
Q907	8-729-822-62	TRANSISTOR 2SB1302-T		R210	1-216-864-11	METAL CHIP	0 5% 1/16W (-11,-12)
Q908	8-729-822-62	TRANSISTOR 2SB1302-T		R211	1-218-891-11	RES, CHIP	68K 0.50% 1/16W
Q909	8-729-905-35	TRANSISTOR 2SC4081-R		R212	1-218-887-11	RES, CHIP	47K 0.50% 1/16W
Q910	8-729-905-35	TRANSISTOR 2SC4081-R		R213	1-216-864-11	METAL CHIP	0 5% 1/16W (-11,-12)
		< RESISTOR >		R214	1-216-837-11	METAL CHIP	22K 5% 1/16W
R101	1-218-851-11	RES, CHIP	1.5K 0.50% 1/16W (US,CND,E,HK,JE)	R215	1-218-867-11	RES, CHIP	6.8K 0.50% 1/16W
R101	1-218-855-11	RES, CHIP	2.2K 0.5% 1/16W (AEP,UK,FR,AUS)	R216	1-218-843-11	RES, CHIP	680 0.50% 1/16W
R102	1-218-871-11	METAL CHIP	10K 0.50% 1/16W (US,CND,E,HK,JE)	R217	1-218-883-11	RES, CHIP	33K 0.50% 1/16W
R102	1-218-863-11	RES, CHIP	4.7K 0.5% 1/16W (AEP,UK,FR,AUS)	R218	1-218-867-11	RES, CHIP	6.8K 0.50% 1/16W
R103	1-218-855-11	RES, CHIP	2.2K 0.50% 1/16W	R219	1-218-891-11	RES, CHIP	68K 0.50% 1/16W
R104	1-218-851-11	RES, CHIP	1.5K 0.50% 1/16W (US,CND,E,HK,JE)	R220	1-218-887-11	RES, CHIP	47K 0.50% 1/16W
R104	1-218-855-11	RES, CHIP	2.2K 0.5% 1/16W (AEP,UK,FR,AUS)	R221	1-218-887-11	RES, CHIP	47K 0.50% 1/16W
R105	1-218-863-11	RES, CHIP	4.7K 0.50% 1/16W	R301	1-216-797-11	METAL CHIP	10 5% 1/16W
R106	1-218-871-11	RES, CHIP	10K 0.50% 1/16W	R302	1-216-821-11	METAL CHIP	1K 5% 1/16W
R107	1-218-871-11	RES, CHIP	10K 0.50% 1/16W	R303	1-216-849-11	METAL CHIP	220K 5% 1/16W
R108	1-218-446-11	METAL CHIP	1 5% 1/16W	R307	1-216-809-11	METAL CHIP	100 5% 1/16W
R109	1-216-864-11	METAL CHIP	0 5% 1/16W (US,CND,E,HK,JE)	R308	1-216-864-11	METAL CHIP	0 5% 1/16W (-11,-12)
R109	1-216-791-11	METAL CHIP	3.3 5% 1/16W (AEP,UK,FR,AUS)	R309	1-216-809-11	METAL CHIP	100 5% 1/16W
R110	1-216-864-11	METAL CHIP	0 5% 1/16W (-11,-12)	R310	1-218-446-11	METAL CHIP	1 5% 1/16W
R111	1-218-891-11	RES, CHIP	68K 0.50% 1/16W	R312	1-216-864-11	METAL CHIP	0 5% 1/16W
R112	1-218-887-11	RES, CHIP	47K 0.50% 1/16W	R313	1-216-864-11	METAL CHIP	0 5% 1/16W (-11,-12)
R113	1-216-864-11	METAL CHIP	0 5% 1/16W (-11,-12)	R314	1-216-864-11	METAL CHIP	0 5% 1/16W (-11,-12)
R114	1-216-837-11	METAL CHIP	22K 5% 1/16W	R315	1-216-809-11	METAL CHIP	100 5% 1/16W
R115	1-218-867-11	RES, CHIP	6.8K 0.50% 1/16W	R316	1-216-809-11	METAL CHIP	100 5% 1/16W
R116	1-218-843-11	RES, CHIP	680 0.50% 1/16W	R317	1-216-809-11	METAL CHIP	100 5% 1/16W
R117	1-218-883-11	RES, CHIP	33K 0.50% 1/16W	R318	1-216-809-11	METAL CHIP	100 5% 1/16W
R118	1-218-867-11	RES, CHIP	6.8K 0.50% 1/16W	R319	1-216-809-11	METAL CHIP	100 5% 1/16W
R119	1-218-891-11	RES, CHIP	68K 0.50% 1/16W	R320	1-500-444-11	INDUCTOR, FERRITE BEAD	
R120	1-218-887-11	RES, CHIP	47K 0.50% 1/16W	R321	1-500-444-11	INDUCTOR, FERRITE BEAD	
R121	1-218-887-11	RES, CHIP	47K 0.50% 1/16W	R322	1-216-864-11	METAL CHIP	0 5% 1/16W

Ref. No.	Part No.	Description			Remark	Ref. No.	Part No.	Description			Remark
R500	1-216-864-11	METAL CHIP	0	5%	1/16W (E,HK,JE)	R804	1-216-864-11	METAL CHIP	0	5%	1/16W (-11,-12)
R500	1-500-444-11	INDUCTOR, FERRITE BEAD (US,CND,AEP,UK,FR,AUS)				R805	1-216-857-11	METAL CHIP	1M	5%	1/16W
R501	1-216-835-11	METAL CHIP	15K	5%	1/16W	R806	1-216-845-11	METAL CHIP	100K	5%	1/16W
R502	1-216-835-11	METAL CHIP	15K	5%	1/16W	R807	1-216-833-11	METAL CHIP	10K	5%	1/16W
R503	1-216-831-11	METAL CHIP	6.8K	5%	1/16W	R808	1-216-833-11	METAL CHIP	10K	5%	1/16W
R504	1-216-859-11	RES, CHIP	1.5M	5%	1/16W	R809	1-216-864-11	METAL CHIP	0	5%	1/16W (-11,-12)
R505	1-218-446-11	METAL CHIP	1	5%	1/16W	R810	1-216-845-11	METAL CHIP	100K	5%	1/16W (-11)
R506	1-216-811-11	METAL CHIP	150	5%	1/16W	R810	1-216-833-11	METAL CHIP	10K	5%	1/16W (-12)
R507	1-216-833-11	METAL CHIP	10K	5%	1/16W	R811	1-218-887-11	RES, CHIP	47K	0.50%	1/16W
R508	1-216-817-11	METAL CHIP	470	5%	1/16W	R812	1-218-887-11	RES, CHIP	47K	0.50%	1/16W
R509	1-216-853-11	METAL CHIP	470K	5%	1/16W	R813	1-218-887-11	RES, CHIP	47K	0.50%	1/16W
R510	1-216-833-11	METAL CHIP	10K	5%	1/16W	R815	1-216-845-11	METAL CHIP	100K	5%	1/16W
R512	1-216-864-11	METAL CHIP	0	5%	1/16W (-12)	R816	1-216-851-11	METAL CHIP	330K	5%	1/16W
R513	1-216-843-11	METAL CHIP	68K	5%	1/16W	R817	1-216-851-11	METAL CHIP	330K	5%	1/16W
R514	1-216-864-11	METAL CHIP	0	5%	1/16W	R818	1-216-864-11	METAL CHIP	0	5%	1/16W
R515	1-216-864-11	METAL CHIP	0	5%	1/16W	R819	1-216-809-11	METAL CHIP	100	5%	1/16W
R516	1-216-821-11	METAL CHIP	1K	5%	1/16W	R820	1-216-821-11	METAL CHIP	1K	5%	1/16W
R517	1-216-803-11	METAL CHIP	33	5%	1/16W	R821	1-216-851-11	METAL CHIP	330K	5%	1/16W
R519	1-216-864-11	METAL CHIP	0	5%	1/16W (-11,-12)	R822	1-218-871-11	RES, CHIP	10K	0.50%	1/16W
R520	1-216-841-11	METAL CHIP	47K	5%	1/16W	R823	1-218-887-11	RES, CHIP	47K	0.50%	1/16W
R521	1-216-864-11	METAL CHIP	0	5%	1/16W (-11,-12)	R824	1-216-857-11	METAL CHIP	1M	5%	1/16W
R522	1-216-864-11	METAL CHIP	0	5%	1/16W	R825	1-216-857-11	METAL CHIP	1M	5%	1/16W
R523	1-216-817-11	METAL CHIP	470	5%	1/16W (US,CND,AEP,UK,FR,AUS)	R826	1-216-845-11	METAL CHIP	100K	5%	1/16W
R523	1-216-864-11	METAL CHIP	0	5%	1/16W (E,HK,JE)	R827	1-216-857-11	METAL CHIP	1M	5%	1/16W
R524	1-216-833-11	METAL CHIP	10K	5%	1/16W	R901	1-216-864-11	METAL CHIP	0	5%	1/16W (-11,-12)
R525	1-216-845-11	METAL CHIP	100K	5%	1/16W	R902	1-216-864-11	METAL CHIP	0	5%	1/16W (-11,-12)
R526	1-216-853-11	METAL CHIP	470K	5%	1/16W	R903	1-216-833-11	METAL CHIP	10K	5%	1/16W
R528	1-216-821-11	METAL CHIP	1K	5%	1/16W	R904	1-218-899-11	RES, CHIP	150K	0.50%	1/16W
R529	1-216-821-11	METAL CHIP	1K	5%	1/16W	R905	1-218-899-11	RES, CHIP	150K	0.50%	1/16W
R530	1-216-827-11	METAL CHIP	3.3K	5%	1/16W	R906	1-218-891-11	RES, CHIP	68K	0.50%	1/16W
R545	1-216-845-11	METAL CHIP	100K	5%	1/16W	R907	1-218-903-11	RES, CHIP	220K	0.50%	1/16W
R546	1-216-841-11	METAL CHIP	47K	5%	1/16W	R908	1-216-845-11	METAL CHIP	100K	5%	1/16W
R549	1-216-845-11	METAL CHIP	100K	5%	1/16W	R909	1-218-915-11	RES, CHIP	680K	0.50%	1/16W
R554	1-216-821-11	METAL CHIP	1K	5%	1/16W	R910	1-218-915-11	RES, CHIP	680K	0.50%	1/16W
R559	1-216-811-11	METAL CHIP	150	5%	1/16W	R911	1-218-907-11	RES, CHIP	330K	0.50%	1/16W
R563	1-216-839-11	METAL CHIP	33K	5%	1/16W	R912	1-216-821-11	METAL CHIP	1K	5%	1/16W
R564	1-216-843-11	METAL CHIP	68K	5%	1/16W	R913	1-218-903-11	RES, CHIP	220K	0.50%	1/16W
R565	1-216-849-11	METAL CHIP	220K	5%	1/16W	R914	1-218-887-11	RES, CHIP	47K	0.50%	1/16W
R602	1-218-895-11	RES, CHIP	100K	0.50%	1/16W	R915	1-219-724-11	METAL CHIP	1	1%	1/4W
R603	1-218-895-11	RES, CHIP	100K	0.50%	1/16W	R916	1-219-724-11	METAL CHIP	1	1%	1/4W
R701	1-216-833-11	METAL CHIP	10K	5%	1/16W	R918	1-218-903-11	RES, CHIP	220K	0.50%	1/16W
R702	1-216-833-11	METAL CHIP	10K	5%	1/16W	R919	1-218-895-11	RES, CHIP	100K	0.50%	1/16W
R703	1-216-815-11	METAL CHIP	330	5%	1/16W	R921	1-218-871-11	RES, CHIP	10K	0.50%	1/16W
R704	1-216-833-11	METAL CHIP	10K	5%	1/16W	R922	1-218-859-11	RES, CHIP	3.3K	0.50%	1/16W
R705	1-219-724-11	METAL CHIP	1	1%	1/4W	R923	1-218-871-11	RES, CHIP	10K	0.50%	1/16W
R706	1-216-835-11	METAL CHIP	15K	5%	1/16W	R924	1-218-855-11	RES, CHIP	2.2K	0.50%	1/16W
R710	1-216-864-11	METAL CHIP	0	5%	1/16W	R927	1-216-801-11	METAL CHIP	22	5%	1/16W
R801	1-216-857-11	METAL CHIP	1M	5%	1/16W	R928	1-216-801-11	METAL CHIP	22	5%	1/16W
R802	1-216-857-11	METAL CHIP	1M	5%	1/16W	R929	1-216-821-11	METAL CHIP	1K	5%	1/16W
						R930	1-216-825-11	METAL CHIP	2.2K	5%	1/16W

Ref. No.	Part No.	Description	Remark
R931	1-216-833-11	METAL CHIP 10K 5%	1/16W
R933	1-216-789-11	METAL CHIP 2.2 5%	1/16W
R934	1-216-789-11	METAL CHIP 2.2 5%	1/16W
R935	1-216-827-11	METAL CHIP 3.3K 5%	1/16W
R936	1-216-827-11	METAL CHIP 3.3K 5%	1/16W
R937	1-216-827-11	METAL CHIP 3.3K 5%	1/16W
R938	1-216-827-11	METAL CHIP 3.3K 5%	1/16W
R939	1-216-837-11	METAL CHIP 22K 5%	1/16W
R940	1-216-837-11	METAL CHIP 22K 5%	1/16W
R941	1-216-817-11	METAL CHIP 470 5%	1/16W
R942	1-216-817-11	METAL CHIP 470 5%	1/16W
R943	1-216-857-11	METAL CHIP 1M 5%	1/16W
< NETWORK RESISTOR >			
RB301	1-233-971-11	RES, NETWORK (CHIP TYPE) 47K	
RB302	1-233-965-11	RES, NETWORK (CHIP TYPE) 4.7K	
RB501	1-233-963-21	RES, NETWORK (CHIP TYPE) 2.2K	
< VARIABLE RESISTOR >			
RV901	1-223-991-21	RES, CARBON ADJ 1K	
< SWITCH >			
S301	1-762-078-11	SWITCH, SLIDE (MIC SENS)	
S801	1-762-805-21	SWITCH, PUSH (1 KEY) (DOOR OPEN)	
S802	1-572-467-61	SWITCH, PUSH (1 KEY) (OPEN)	
S803	1-572-921-11	SWITCH, KEY BOARD (CLOCK SET)	
S804	1-771-517-21	SWITCH, TACTILE (EVQPUK02K) (T MARK)	
S805	1-771-331-41	SWITCH, PUSH (1 KEY) (REC)	
S806	1-762-078-11	SWITCH, SLIDE (HOLD)	
S807	1-762-078-11	SWITCH, SLIDE (SYNCHRO REC)	
S808	1-762-078-11	SWITCH, SLIDE (AVLS)	
S809	1-771-517-21	SWITCH, TACTILE (EVQPUK02K) (DIGITAL MEGA BASS)	
S901	1-771-331-41	SWITCH, PUSH (1 KEY) (BATTERY IN)	
< THERMISTOR >			
THP901	1-533-817-21	THERMISTOR	
< BATTERY >			
* U801	1-528-924-11	BATTERY	
< VIBRATOR >			
X501	1-767-498-11	OSCILLATOR, CRYSTAL (22.5MHz)	
X801	1-767-179-31	VIBRATOR, CERAMIC (12MHz)	
X802	1-579-886-11	VIBRATOR, CRYSTAL (32kHz)	

Ref. No.	Part No.	Description	Remark
		MISCELLANEOUS *****	
3	1-803-307-11	SWITCH MODULE	
106	1-418-079-11	PR UNIT	
115	1-671-605-11	MD FLEXIBLE BOARD	
△122	X-4950-546-1	SERVICE ASSY, OP	
LCD1	1-803-308-11	LCD MODULE	
M1	1-763-011-11	MOTOR (SPINDLE) (INCLUDING TURNTABLE)	
M2	1-763-174-11	MOTOR, DC (LOADING)	
M3	A-3311-972-A	MOTOR BLOCK ASSY, SLED	

ACCESSORIES & PACKING MATERIALS *****			
	1-418-002-11	REMOTE CONTROL UNIT (RM-MZR55)	
△	1-418-028-11	ADAPTOR, AC (AC-MZR55) (E,JE)	
△	1-418-049-12	ADAPTOR, AC (AC-MZR55) (UK,HK)	
△	1-418-275-11	ADAPTOR, AC (AC-MZR55) (US,CND)	
	1-418-276-11	ADAPTOR, AC (AC-MZR55) (AEP,FR)	
	1-418-277-11	ADAPTOR, AC (AC-MZR55) (AUS)	
	1-528-842-11	BATTERY, NICKEL HYDROGEN (NH-14WM)	
△	1-569-007-11	ADAPTOR, CONVERSION 2P (E,JE)	
	1-759-693-11	CASE, BATTERY	
	1-779-504-11	CONNECTOR, OPTICAL	
	3-008-521-01	CASE, BATTERY CHARGE	
	3-864-987-12	MANUAL, INSTRUCTION (GREEK,SPANISH, PORTUGUESE,SWEDISH,FINNISH,RUSSIAN) (AEP,E,JE)	
	3-864-987-21	MANUAL, INSTRUCTION (ENGLISH) (US,UK,HK,AUS)	
	3-864-987-31	MANUAL, INSTRUCTION (ENGLISH,FRENCH, GERMAN,DUTCH,ITALIAN) (CND,AEP,FR)	
	3-864-987-42	MANUAL, INSTRUCTION (CHINESE,KOREAN, URDU) (E,HK,JE)	
	4-972-888-01	CASE, CARRYING	
	8-953-218-90	HEADPHONE MDR-E838SP//K SET (HK,JE)	
	8-953-278-90	HEADPHONE MDR-A34SP SET (US)	
	8-953-304-90	RECEIVER MDR-E805SP SET (CND,AEP,UK, FR,E,AUS)	

The components identified by mark △ or dotted line with mark △ are critical for safety. Replace only with part number specified.	Les composants identifiés par une marque △ sont critiques pour la sécurité. Ne les remplacer que par une pièce portant le numéro spécifié.
--	--

MZ-R55

SONY[®]

SERVICE MANUAL

Ver 1.3 1999. 05

US Model
 Canadian Model
 AEP Model
 UK Model
 E Model
 Australian Model
 Tourist Model

SUPPLEMENT-1

File this supplement with the service manual.

Subject : Change the Electrical Parts

(ECN-DA800761)

The following parts should be replaced for these changes.
 Part change should be made at the same time for the changes * 1 to 4.
 When repairing the MZ-R55, check the type name and constant of the IC.

 : indicates changed portion.

Change * 1 (Change of system control IC)

Ref. No.	Former	New
IC802	8-752-903-61 IC CXP740010-012R	8-752-907-14 IC CXP740010-020R
C120, 220	1-164-939-11 CERAMIC CHIP 0.0022uF 10% 16V	1-164-936-11 CERAMIC CHIP 680PF 10% 16V
C121, 221	1-164-939-11 CERAMIC CHIP 0.0022uF 10% 16V	not used.
C122, 222	not used.	1-125-837-11 CERAMIC CHIP 1uF 10% 6.3V
R101, 201	1-218-851-11 RES,CHIP 1.5K 0.5% 1/16W	not used.
R102, 202	1-218-871-11 RES,CHIP 10K 0.5% 1/16W	1-218-875-11 RES,CHIP 15K 0.5% 1/16W
R104, 204	1-218-851-11 RES,CHIP 1.5K 0.5% 1/16W	1-218-871-11 RES,CHIP 10K 0.5% 1/16W
R109, 209	1-216-864-11 METAL CHIP 0 5% 1/16W	1-216-791-11 METAL CHIP 3.3 5% 1/16W

Note: Remove R101 and R201 for C122 and C222 respectively and install them to the lands.

Page	Former	New
38 (B-C, 11-12)		

Change * 2 (Change of AD/DA converter IC)

Ref. No.	Former	New
IC301	8-759-559-61 IC AK4517-VQ-L	8-759-584-59 IC AK4517A-VQ-L

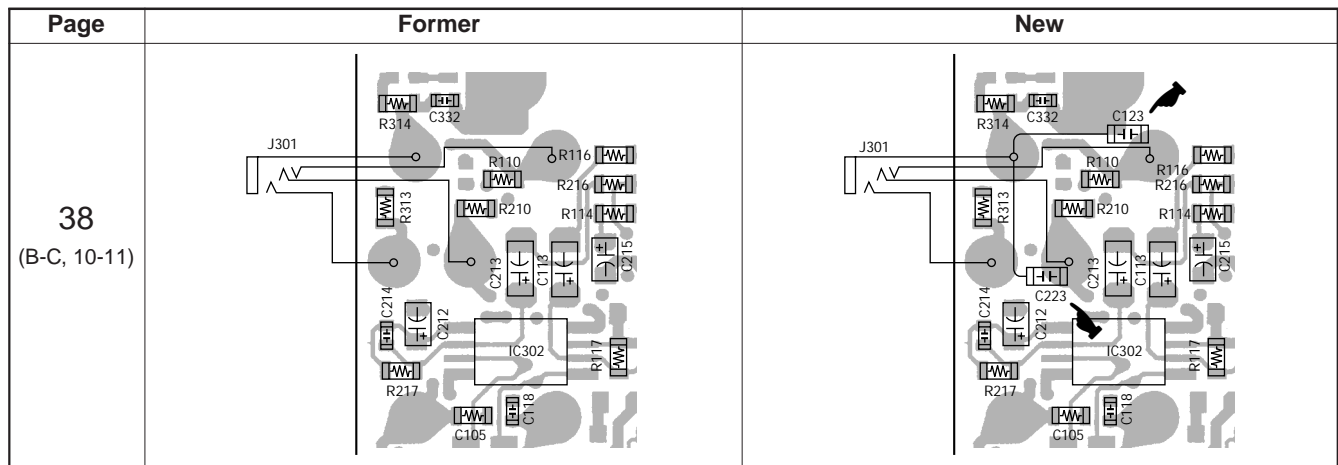
Note: To make change 2, it is needed to make change 1. Ensure that change 1 is made.

Change * 3 (Change of headphone amp IC)

Ref. No.	Former	New
IC303	8-759-559-58 IC AN7535SA-E1	8-759-584-58 IC AN7535NSA-E1
C123 [▲] , 223 [▲]	not used.	1-164-939-11 CERAMIC CHIP 0.0022uF 10% 16V

Note: The parts marked “▲” correspond to the board with a suffix No. of -13 or later. Therefore, the board with a suffix No. of before -13 has no lands. If the repair chip part is hard to install, a little larger chip part should be installed and connected to ground of J301 with a jumper wire.

C123, 223 CERAMIC 0.0022uF 10% 50V (1-162-966-11)



Change * 4

Ref. No.	Former	New
C934	1-164-943-11 CERAMIC CHIP 0.01uF 10% 16V	1-107-819-11 CERAMIC CHIP 0.022uF 10% 16V
C822 [■]	not used.	1-107-819-11 CERAMIC CHIP 0.022uF 10% 16V

Note: The parts marked “■” correspond to the board with a suffix No. of -13 or later. Therefore, the board with a suffix No. of before -13 has no lands. To install these parts to the board with a suffix No. of before -13, install them to the locations below:

