

MZ-N1

SERVICE MANUAL

Ver 1.0 2002.01

AEP Model
UK Model
E Model



US and foreign patents licensed from Dolby Laboratories.

- OpenMG, "MagicGate", "MagicGate Memory Stick", "Memory Stick", VAIO, MusicClip and their logos are trademarks of Sony Corporation.
- "WALKMAN" is a trademark of Sony Corporation.
- Microsoft, Windows, Windows NT and Windows Media are trademarks or registered trademarks of Microsoft Corporation in the United States and/or other countries.
- IBM and PC/AT are registered trademarks of International Business Machines Corporation.
- Macintosh is a trademark of Apple Computer, Inc. in the United States and/or other countries.
- All other trademarks are trademarks of their respective owners. ™ and ® marks are omitted in this manual.

Model Name Using Similar Mechanism	NEW
Mechanism Type	MT-MZN1-171
Optical Pick-up Name	LCX-5R

SPECIFICATIONS

Audio playing system

MiniDisc digital audio system

Laser diode properties

Material: GaAlAs

Wavelength: $\lambda = 790 \text{ nm}$

Emission duration: continuous

Laser output: less than $44.6 \mu\text{W}$

(This output is the value measured at a distance of 200 mm from the lens surface on the optical pick-up block with 7 mm aperture.)

Recording and playback time (when using MDW-80)

Maximum 160 min. in monaural

Maximum 320 min. in stereo

Revolutions

382 rpm to 2,700 rpm (CLV)

Error correction

ACIRC (Advanced Cross Interleave Reed Solomon Code)

Sampling frequency

44.1 kHz

Sampling rate converter

Input: 32 kHz/44.1 kHz/48 kHz

Coding

ATRAC (Adaptive TRansform Acoustic Coding)

ATRAC3 — LP2/LP4

— Continued on next page —

PORTABLE MINIDISC RECORDER

9-873-443-01
2002A0500-1
© 2002.1

Sony Corporation
Personal Audio Company
Published by Sony Engineering Corporation

SONY®

MZ-N1

Modulation system

EFM (Eight to Fourteen Modulation)

Frequency response

20 to 20,000 Hz \pm 3 dB

Wow and Flutter

Below measurable limit

Inputs¹⁾

MIC: stereo mini-jack
(minimum input level 0.25 mV)

Line in:

- stereo mini-jack for analog input
(minimum input level 49 mV)
- optical (digital) mini-jack for optical
(digital) input

Outputs

LINE OUT²⁾: stereo mini-jack (dedicated
remote control jack)/194 mV (10 kohm)

Maximum output (DC)²⁾

Headphones: 5 mW + 5 mW (16 ohm)

Power requirement

Sony AC Power Adaptor connected at the DC
IN 3V jack (country model in parentheses):

220 V AC, 50/60 Hz (Continental Europe)

230 - 240 V AC, 50 Hz (U.K. and Hong
Kong)

100 - 240 V AC, 50/60 Hz (Other countries)

The recorder:

Nickel metal hydride rechargeable battery
NH-14WM(A) 1.2V 1350 mAh (MIN) Ni-
MH

LR6 (SG) alkaline battery

USB cradle:

AC power adaptor DC 3V

Dimensions

Approx. 77.7 \times 71.4 \times 16.4 mm (w/h/d)
(3¹/₈ \times 2⁷/₈ \times 2¹/₃₂ in.)

Mass

Approx. 87 g (3.0 oz) the recorder only

¹⁾The LINE IN (OPT) jack is used to connect
either a digital (optical) cable or a line
(analog) cable.

²⁾The LINE OUT jack connects either
headphones/earphones or a line cable.

Supplied accessories

AC power adaptor (1)

Headphones/earphones with a remote control (1)

Optical cable (1)

USB cable (1)

Nickel metal hydride rechargeable
battery NH-14WM(A) (1)

CD-ROM (1)*

Dry battery case (1)

Rechargeable battery carrying case (1)

Carrying pouch/carrying case with a belt clip (1)

* Do not play a CD-ROM on an audio CD player.

Design and specifications are subject to change
without notice.

Battery life¹⁾

When recording²⁾

(Unit: approxi.hours)(JEITA³⁾)

Batteries	SP Stereo	LP2 Stereo	LP4 Stereo
Nickel metal hydride rechargeable battery ⁴⁾	12	17	21
LR6 (SG) Sony alkaline dry battery ⁵⁾	12	19	23
Nickel metal hydride rechargeable battery ⁴⁾ + One LR6 (SG) ⁵⁾	30	43	52

¹⁾The battery life may be shorter due to operating
conditions and the temperature of the location.

²⁾When you record, use a fully charged
rechargeable battery. Recording time may
differ according to the alkaline batteries.

³⁾Measured in accordance with the JEITA (Japan
Electronics and Information Technology
Industries Association) standard.

⁴⁾When using a 100% fully charged nickel
metal hydride rechargeable battery (NH-
14WM(A)).

⁵⁾When using a Sony LR6 (SG) "STAMINA"
alkaline dry battery (produced in Japan).

When playing

(Unit: approxi.hours)(JEITA¹⁾)

Batteries	SP Stereo	LP2 Stereo	LP4 Stereo
Nickel metal hydride rechargeable battery ²⁾	30	38	42
LR6 (SG) Sony alkaline dry battery ³⁾	44	52	62
Nickel metal hydride rechargeable battery ²⁾ + One LR6 (SG) ³⁾	79	95	110

¹⁾Measured in accordance with the JEITA
(Japan Electronics and Information
Technology Industries Association) standard.

²⁾When using a 100% fully charged nickel
metal hydride rechargeable battery (NH-
14WM(A)).

³⁾When using a Sony LR6 (SG) "STAMINA"
alkaline dry battery (produced in Japan)

SAFETY-RELATED COMPONENT WARNING!!

COMPONENTS IDENTIFIED BY MARK \triangle OR DOTTED
LINE WITH MARK \triangle ON THE SCHEMATIC DIAGRAMS
AND IN THE PARTS LIST ARE CRITICAL TO SAFE
OPERATION. REPLACE THESE COMPONENTS WITH
SONY PARTS WHOSE PART NUMBERS APPEAR AS
SHOWN IN THIS MANUAL OR IN SUPPLEMENTS PUB-
LISHED BY SONY.

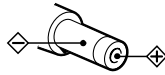
CAUTION

Use of controls or adjustments or performance of procedures other than those specified herein may result in hazardous radiation exposure.

On power sources

- Use house current, nickel metal hydride rechargeable battery, LR6 (SG) battery, or car battery.
- For use in your house: For the supplied battery charging stand, use the AC power adaptor supplied with this recorder. Do not use any other AC power adaptor since it may cause the recorder to malfunction.

Polarity of the plug



Notes on chip component replacement

- Never reuse a disconnected chip component.
- Notice that the minus side of a tantalum capacitor may be damaged by heat.

Flexible Circuit Board Repairing

- Keep the temperature of the soldering iron around 270 °C during repairing.
- Do not touch the soldering iron on the same conductor of the circuit board (within 3 times).
- Be careful not to apply force on the conductor when soldering or unsoldering.

UNLEADED SOLDER

Boards requiring use of unleaded solder are printed with the lead-free mark (LF) indicating the solder contains no lead. (Caution: Some printed circuit boards may not come printed with the lead free mark due to their particular size)

LF : LEAD FREE MARK

Unleaded solder has the following characteristics.

- Unleaded solder melts at a temperature about 40 °C higher than ordinary solder.
Ordinary soldering irons can be used but the iron tip has to be applied to the solder joint for a slightly longer time. Soldering irons using a temperature regulator should be set to about 350 °C .
Caution: The printed pattern (copper foil) may peel away if the heated tip is applied for too long, so be careful!
- Strong viscosity
Unleaded solder is more viscous (sticky, less prone to flow) than ordinary solder so use caution not to let solder bridges occur such as on IC pins, etc.
- Usable with ordinary solder
It is best to use only unleaded solder but unleaded solder may also be added to ordinary solder.

TABLE OF CONTENTS

1. SERVICING NOTES	4
2. GENERAL	5
3. DISASSEMBLY	
3-1. Disassembly Flow	6
3-2. Bottom Panel Assy	7
3-3. Upper Panel Section	7
3-4. LCD Module, Upper Panel Assy	8
3-5. MAIN Board Section	8
3-6. Battery Case Assy, MAIN Board	9
3-7. MD Mechanism Deck (MT-MZN1-171), Chassis Assy	9
3-8. OP Service Assy (LCX-5R)	10
3-9. Holder Assy	11
3-10. DC Motor (Sled) (M602)	11
3-11. DC SSM18B Motor (Spindle) (M601), DC Motor (Over Write Head UP/DOWN) (M603)	12
4. TEST MODE	13
5. ELECTRICAL ADJUSTMENTS	19
6. DIAGRAMS	
6-1. Block Diagram – SERVO/USB Section –	30
6-2. Block Diagram – AUDIO Section –	31
6-3. Block Diagram – DISPLAY/KEY CONTROL/ POWER SUPPLY Section –	32
6-4. Note for Printed Wiring Board and Schematic Diagrams	33
6-5. Printed Wiring Board – MAIN Board (Component Side) –	34
6-6. Printed Wiring Board – MAIN Board (Conductor Side) –	35
6-7. Schematic Diagram – MAIN Board (1/4) –	36
6-8. Schematic Diagram – MAIN Board (2/4) –	37
6-9. Schematic Diagram – MAIN Board (3/4) –	38
6-10. Schematic Diagram – MAIN Board (4/4) –	39
6-11. IC Pin Function Description	46
7. EXPLODED VIEWS	
7-1. Upper Panel Section	53
7-2. Bottom Panel Section	54
7-3. Chassis Section	55
7-4. MAIN Board Section	56
7-5. MD Mechanism Deck Section (MT-MZN1-171)	57
8. ELECTRICAL PARTS LIST	58

SECTION 1 SERVICING NOTES

NOTES ON HANDLING THE OPTICAL PICK-UP BLOCK OR BASE UNIT

The laser diode in the optical pick-up block may suffer electrostatic break-down because of the potential difference generated by the charged electrostatic load, etc. on clothing and the human body.

During repair, pay attention to electrostatic break-down and also use the procedure in the printed matter which is included in the repair parts.

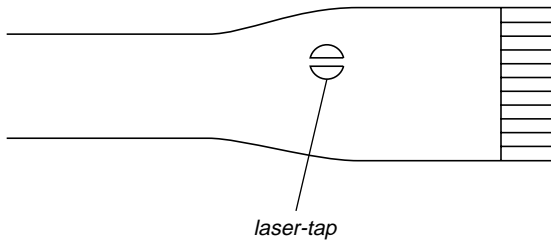
The flexible board is easily damaged and should be handled with care.

NOTES ON LASER DIODE EMISSION CHECK

Never look into the laser diode emission from right above when checking it for adjustment. It is feared that you will lose your sight.

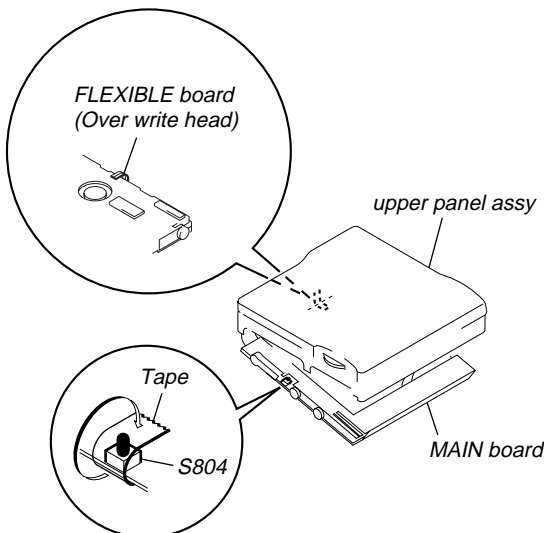
NOTES ON HANDLING THE OPTICAL PICK-UP BLOCK (LCX-5R)

The laser diode in the optical pick-up block may suffer electrostatic break-down easily. When handling it, perform soldering bridge to the laser-tap on the flexible board. Also perform measures against electrostatic break-down sufficiently before the operation. The flexible board is easily damaged and should be handled with care.



OPTICAL PICK-UP FLEXIBLE BOARD

- In performing the repair with the power supplied to the set, removing the MAIN board causes the set to be disabled. In such a case, fix a convex part of the open/close detect switch (S804 on MAIN board) with a tape in advance. Handle the FLEXIBLE board (overwrite head) with care, as it has been soldered directly to the MAIN board. In repairing the component side of MAIN board, connect the FLEXIBLE board (overwrite head) and the MAIN board with the lead wires in advance. (See page 8)



- Replacement of CXD2677-202GA (IC801) used in this set requires a special tool.
- The shipment data will be cleared when the NV is reset. Therefore, change the NV adjusted values following the Change of NV Adjusted Values immediately after the NV was reset. (See page 19)
- This set requires the patch data in the nonvolatile memory (IC802) to be rewritten using the application, when the MAIN board or nonvolatile memory (IC802) was replaced. (See page 27)

System requirements

- IBM PC/AT or Compatible (The software does not run on Macintosh.)
CPU: MMX™ Pentium® 233 MHz or higher (Pentium® II 400 MHz or higher is recommended.)
Hard disk drive space: 60 MB or more (The amount of necessary space depends on the version of the Windows OS or the size of your audio files.)
RAM: 64 MB or higher (128 MB or higher is recommended for Windows® XP Home Edition/Windows® XP Professional.)
CD-ROM drive (capable of digital playback by WDM)
Sound Board
USB port (supports USB 2.0 Full Speed (previously USB 1.1))
- Operating System: Windows® 98/Windows® 98 Second Edition/Windows® 2000 Professional/Windows® Me/Windows® XP Home Edition/Windows® XP Professional (manufacturer installed)
The NTFS format of Windows® 2000 Professional, Windows® XP Home Edition, or Windows® XP Professional (manufacturer-installed) is supported only when used with the standard (factory) settings.
This software is not supported by the following environments.
 - Windows® 95, Windows® NT, or other versions of Windows® NT (such as Server)
 - An environment that is an upgrade of the original manufacturer-installed operating system, as in the following examples:
Windows® 3.1/Windows® 95 → Windows® 98 (or Windows® 98 Second Edition/Windows® Me)
Windows® Me/Windows® 2000 Professional → Windows® XP
 - Multi-boot environment with Windows® 2000 (or Windows® XP) and Windows® 98 (or Windows® 98 Second Edition/Windows® Me)
- Display: High (16bit) Color or more (800 × 480 dot or more)
- Internet access: for Web registration and EMD services
- Windows Media Player (version 7.0 or higher) installed for playing WMA files.

Notes

- Trouble-free operation is not assured within a multiple-monitor environment.
- We do not assure trouble-free operation for all computers satisfying the system requirements.
- Trouble-free operation is not guaranteed following the self-conducted upgrade of home-built PCs or operating systems.
- We do not assure trouble-free operation of the system suspend, sleep, or hibernation function on all computers.
- For details, refer to "Net MD Help" of the online help.

Note

The optical digital output connector (on computers provided with one) may be disabled during playback for the protection of copyrights.

Notes on using OpenMG Jukebox with Windows 2000/Windows XP

If your computer is Windows 2000 Professional, Windows XP Home Edition, or Windows XP Professional, please be aware of the following before installing OpenMG Jukebox.

- 1 With Windows 2000 Professional, you must log on as "Administrators" (or with the user name "Administrator") to install OpenMG Jukebox.
- 2 With Windows XP Home Edition or Windows XP Professional, you must log on with user name "Computer Administrator" to install OpenMG Jukebox. To check whether a user name has the attribute of "Computer Administrator" or not, go to [Control Panel] - [User Account].

Notes on using OpenMG Jukebox with Windows XP/Windows Me

If Windows XP/Windows Me is installed in your computer, and you perform the "System Restore" function of the Windows "System Tools," the songs managed by OpenMG Jukebox may become corrupted and rendered unplayable.

Therefore, before executing "System Restore," back up the songs using "OpenMG Jukebox Backup Tool" first.

Then, after the "System Restore" function is finished, restore the songs using "OpenMG Jukebox Backup Tool" to ensure the integrity and reliability of song playback.

For more information about backup, refer to the online Help for OpenMG Jukebox.

Note

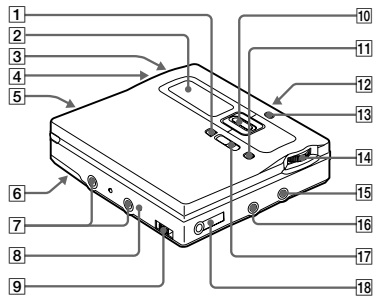
When songs become unplayable by executing "System Restore," an error dialog box may be displayed. In this case, follow the displayed messages.

SECTION 2 GENERAL

This section is extracted from instruction manual.

Looking at controls

The recorder

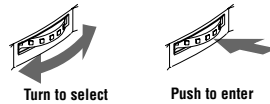
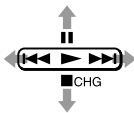


- 1 END SEARCH button
- 2 Display window
- 3 VOLUME +/- buttons
The VOLUME + button has a tactile dot.
- 4 Battery compartment
- 5 T MARK button
- 6 HOLD switch (at the rear)
- 7 Terminals for attaching dry battery case
- 8 DC IN 3V jack
- 9 USB cradle connecting jack
- 10 Control bar
• Moves the cursor in the display.

• Other operations

Operation	Function
Press ► ¹⁾	play/enter
Press ◀◀	rewind
Press ▶▶	fast forward
Flip towards	pause
Flip towards ■	stop

¹⁾ The ► button has a tactile dot.

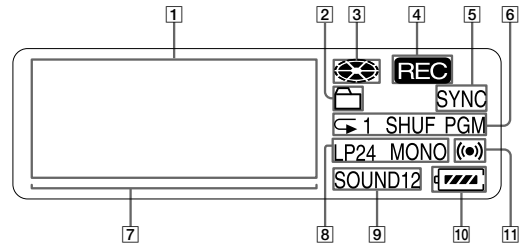


15 LINE IN (OPT) jack

- 16 MIC (PLUG IN POWER) jack
There is a tactile dot beside the MIC (PLUG IN POWER) jack.

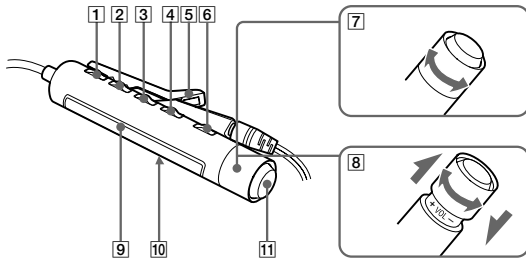
- 17 REC (record) switch
- 18 ◁ (headphones/earphones)/LINE OUT jack

The display window of the recorder



- 1 Character information display
Displays the disc and track names, date, error messages, track numbers, etc.
- 2 Group indication
- 3 Disc indication
Shows that the disc is rotating for recording, playing or editing an MD.
- 4 REC indication
Lights up while recording. When flashing, the recorder is in record standby mode.
- 5 SYNC (synchro-recording) indication
- 6 Play mode indication
Shows the play mode (shuffle play, program play, repeat play, etc.) of the MD.
- 7 Level meter
- 8 LP2 (LP2 stereo), LP4 (LP4 stereo), MONO (monaural) indication
- 9 Sound indication
Lights up when Digital Sound Preset is on.
- 10 Battery indication
Shows approximate battery condition.
- 11 Melody timer indication

The headphones/earphones with a remote control



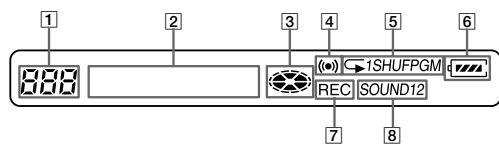
- 1 DISPLAY button
- 2 PLAY MODE button
- 3 RPT/ENT (repeat/enter) button
- 4 SOUND button
- 5 Clip
- 6 || (pause) button
- 7 Control (◀◀/▶▶)

You can quickly fast forward or rewind without listening to the playback sound.

- 8 Control (VOLUME +/-)
Pull and turn to adjust the volume.
- 9 Display window
- 10 HOLD switch
- 11 ■ (stop) button
May be used as the "Enter" button, depending on the function.

Turn or turn and hold to play, fast forward or rewind.

The display window of the remote control

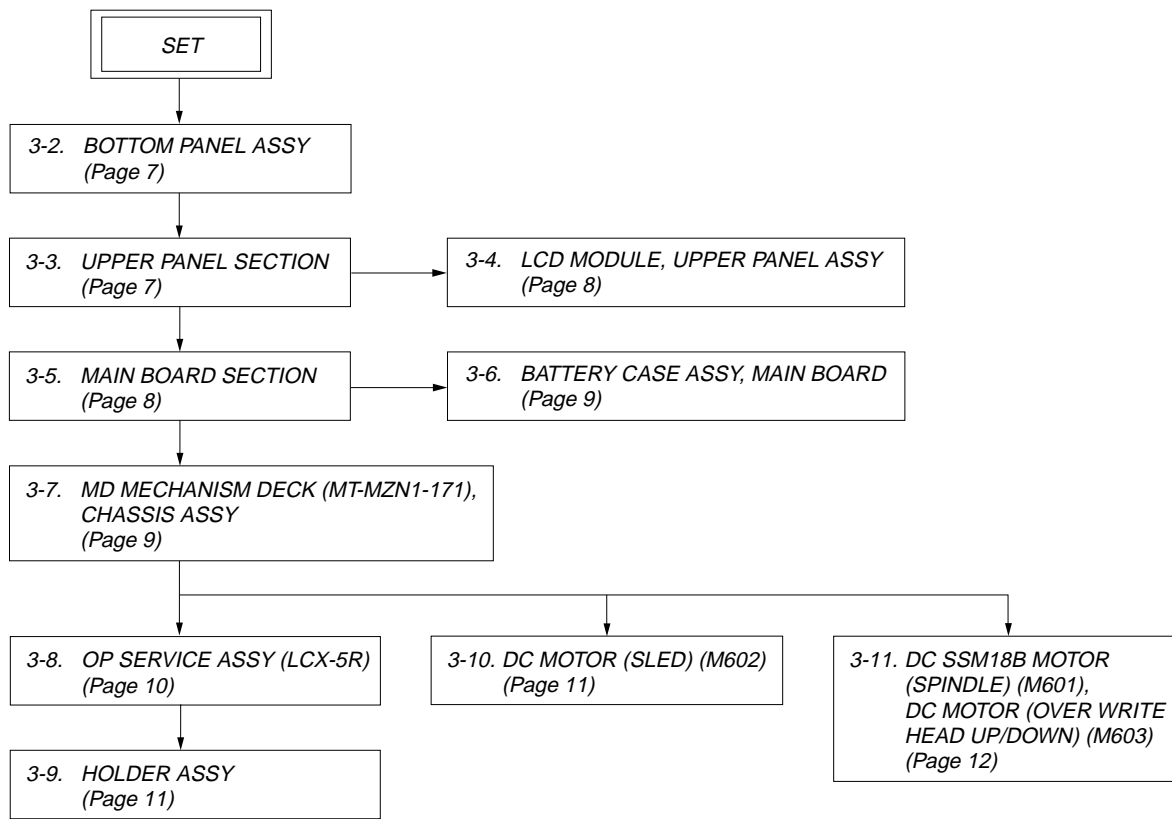


- 1 Track number display
- 2 Character information display
- 3 Disc indication
- 4 Melody timer indication
- 5 Play mode indication
- 6 Battery level indication
- 7 REC indication
- 8 SOUND indication

SECTION 3 DISASSEMBLY

• This set can be disassembled in the order shown below.

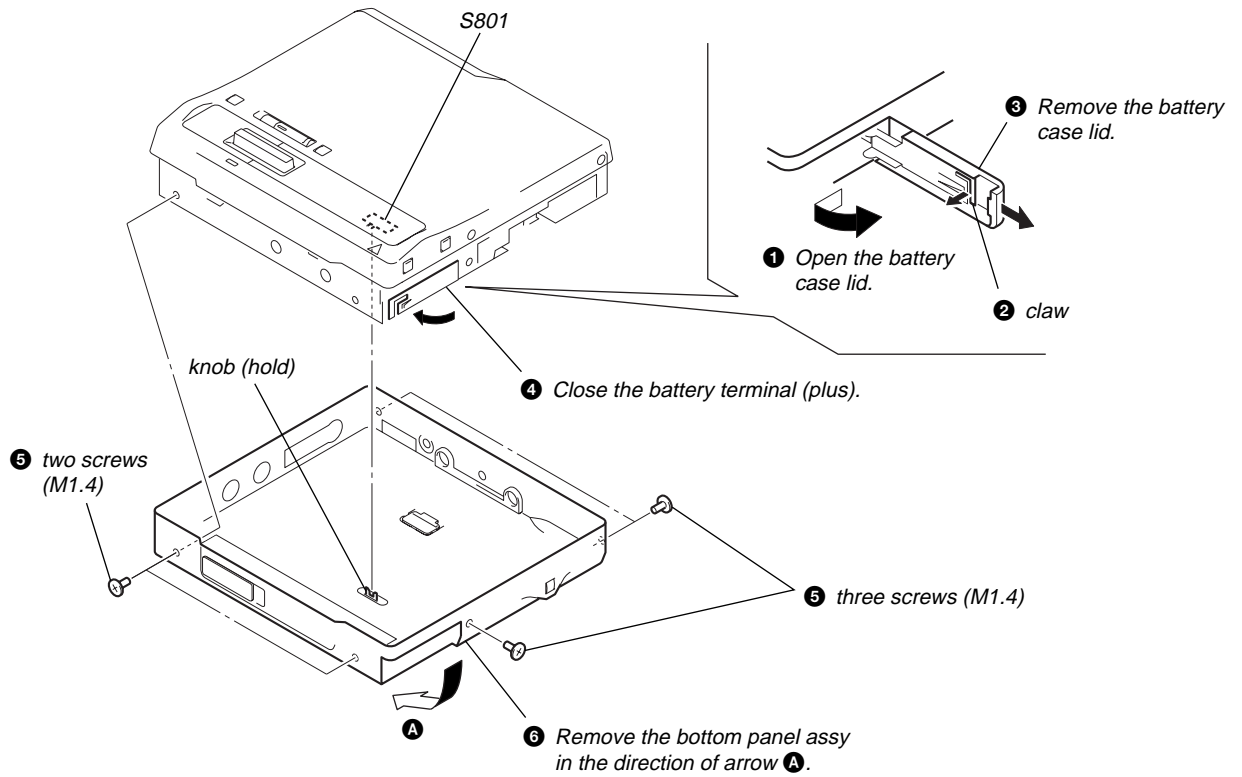
3-1. DISASSEMBLY FLOW



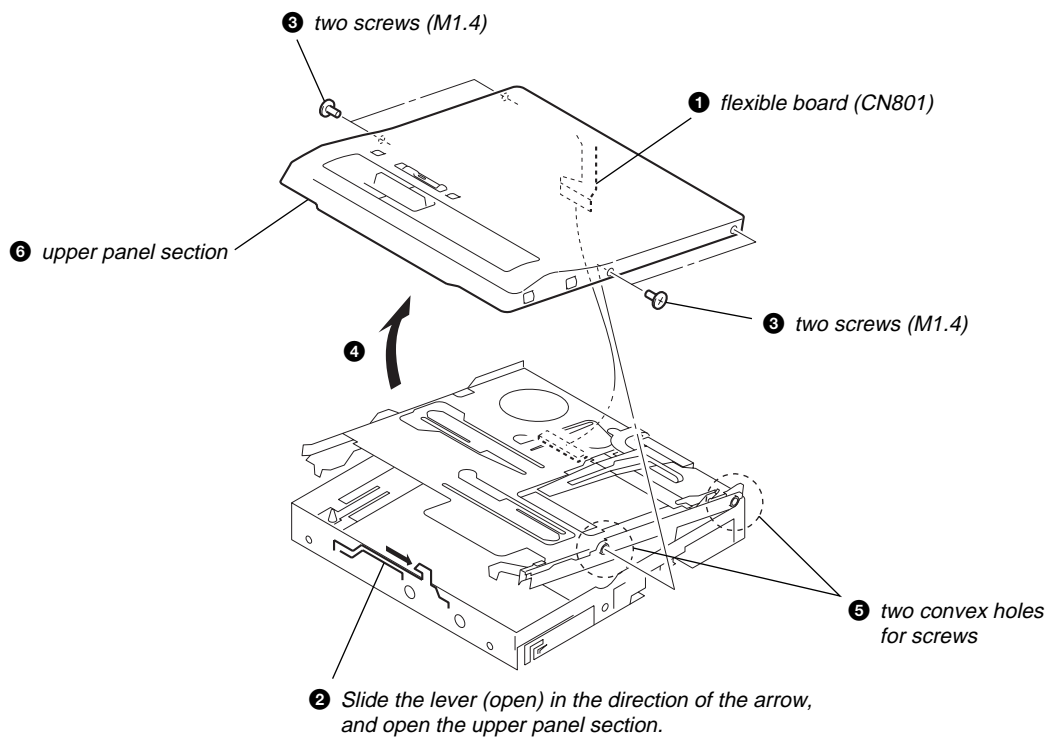
Note: Follow the disassembly procedure in the numerical order given.

3-2. BOTTOM PANEL ASSY

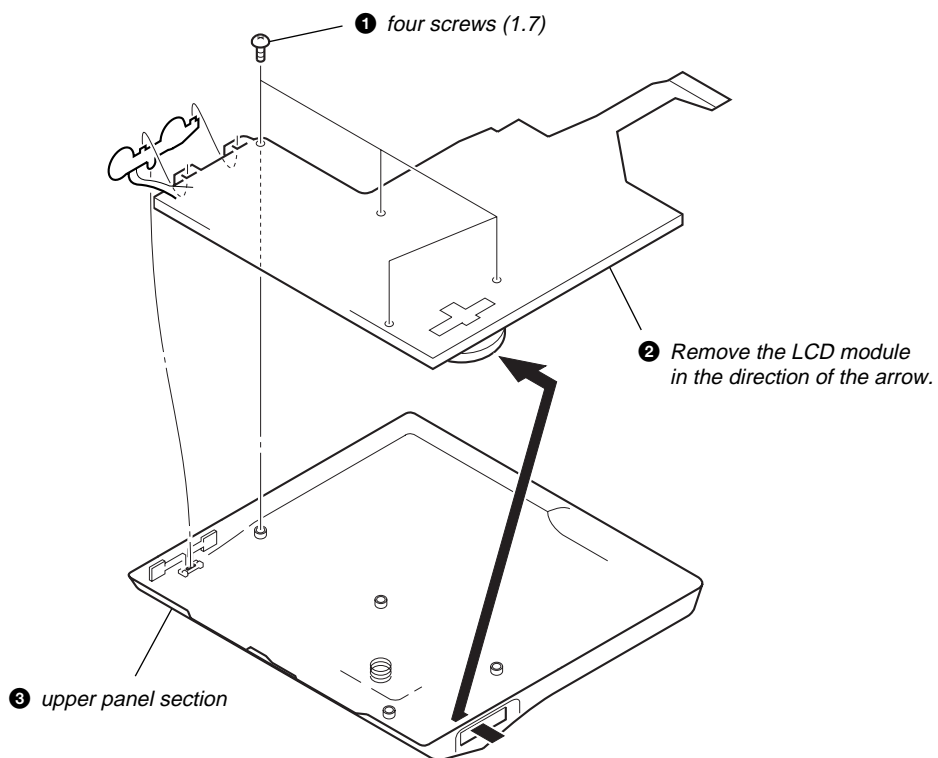
Note : On installation, adjust the position of both switch (S801) and knob (hold).



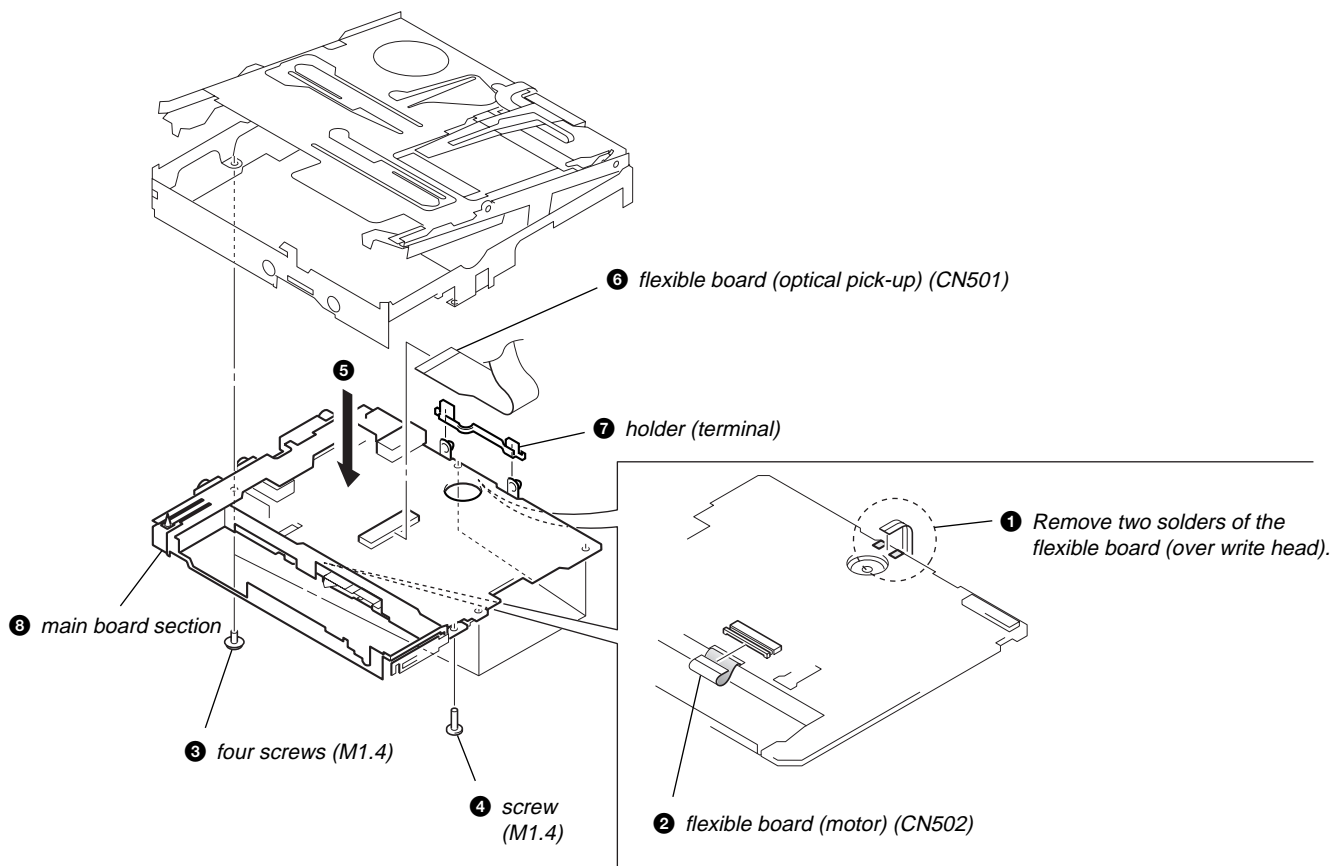
3-3. UPPER PANEL SECTION



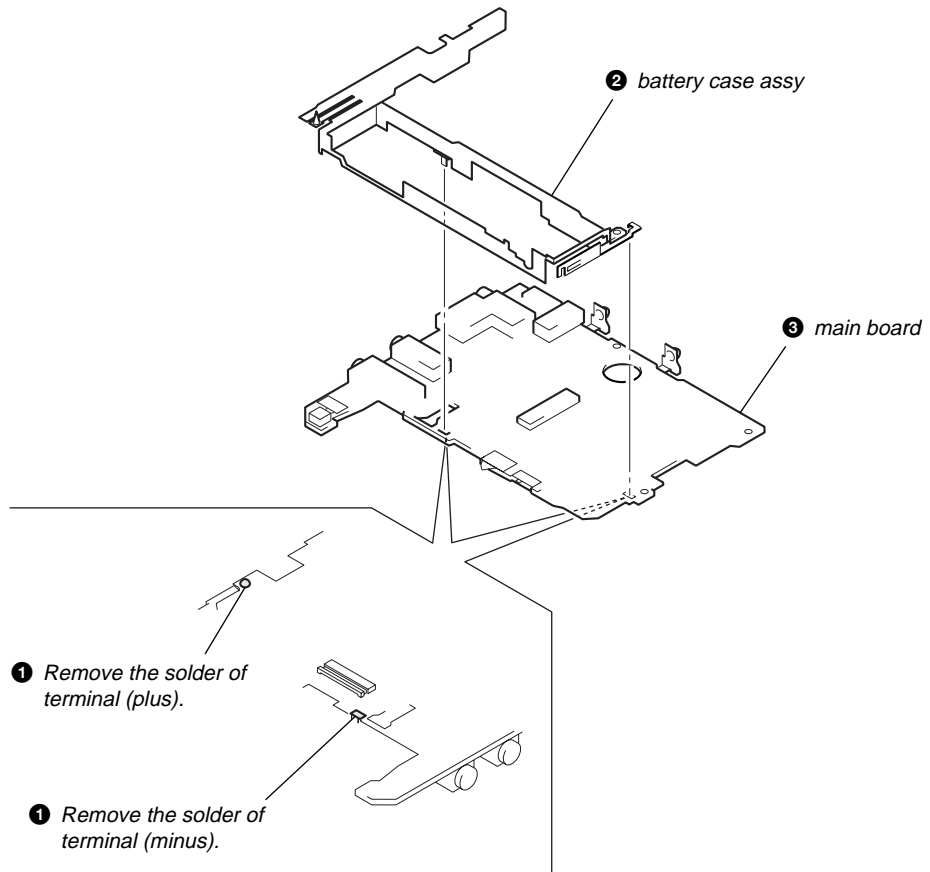
3-4. LCD MODULE, UPPER PANEL ASSY



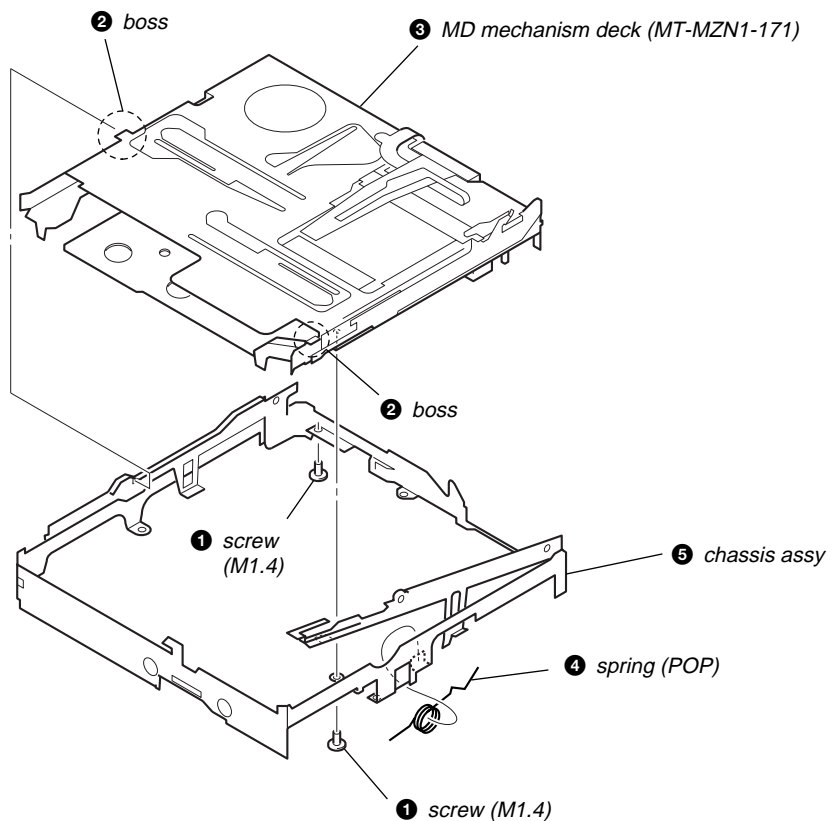
3-5. MAIN BOARD SECTION



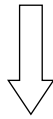
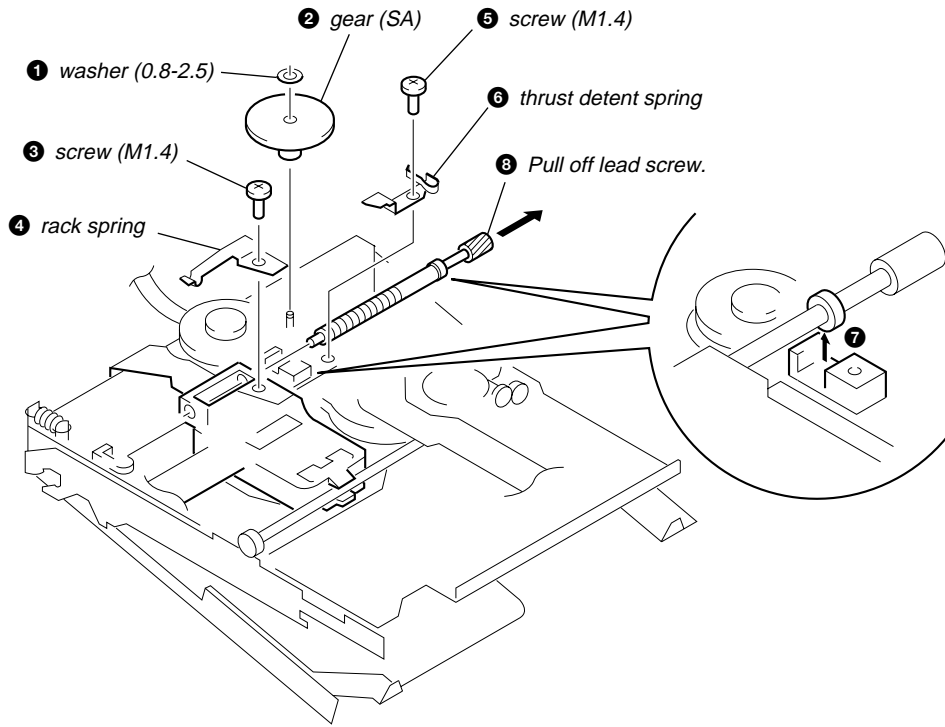
3-6. BATTERY CASE ASSY, MAIN BOARD



3-7. MD MECHANISM DECK (MT-MZN1-171), CHASSIS ASSY

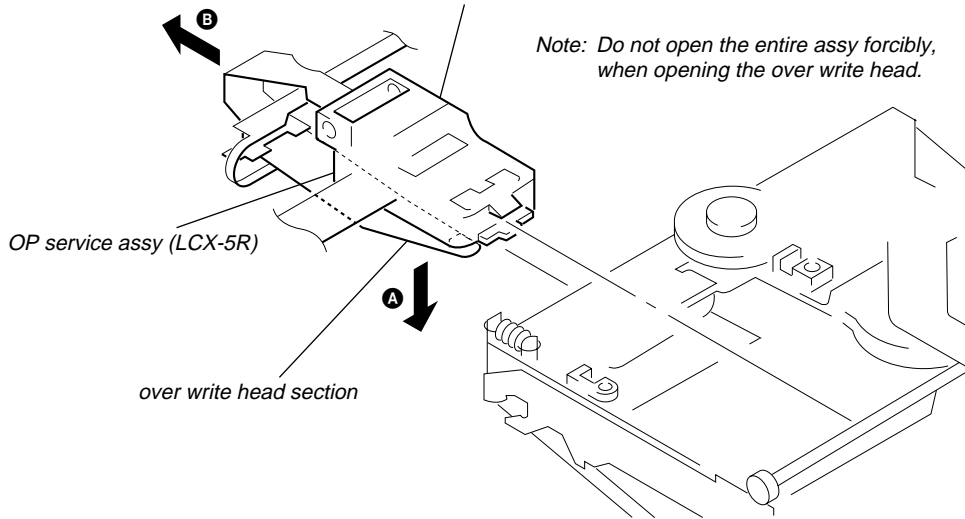


3-8. OP SERVICE ASSY (LCX-5R)

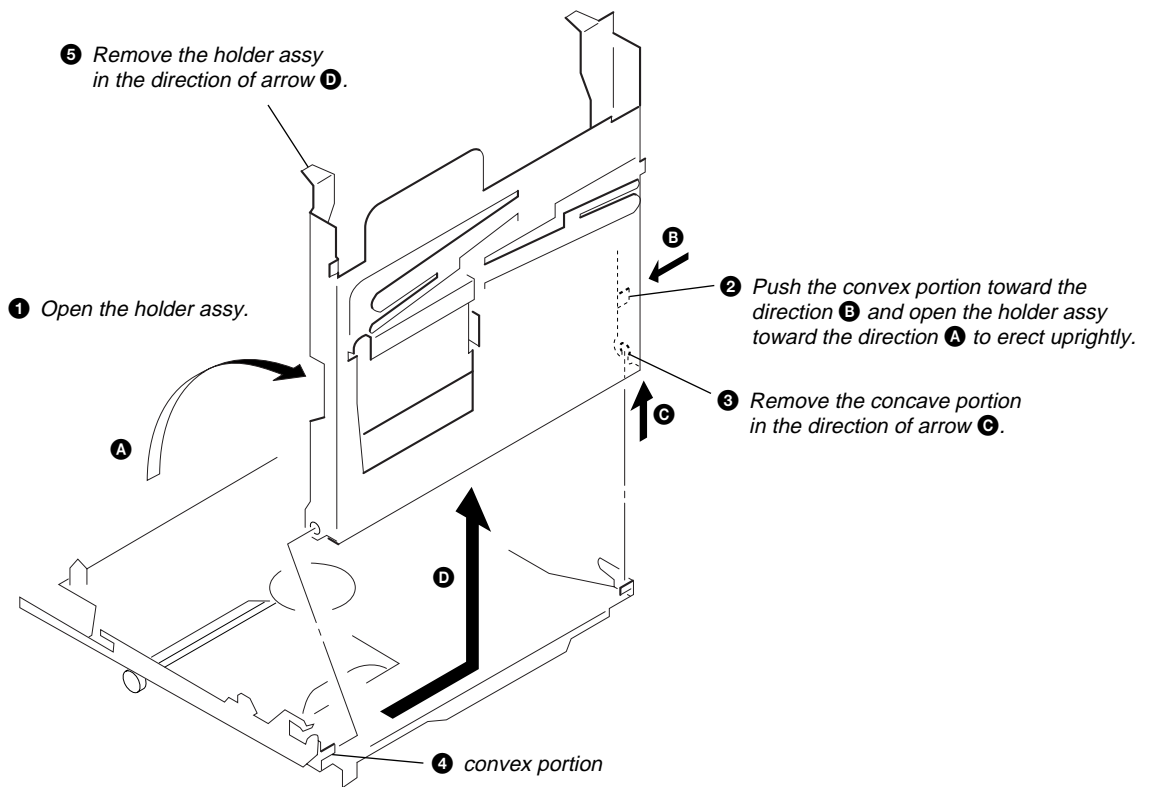


9 Opening the over write head toward the direction **A**, remove the OP service assy (LCX-5R) toward the direction **B**.

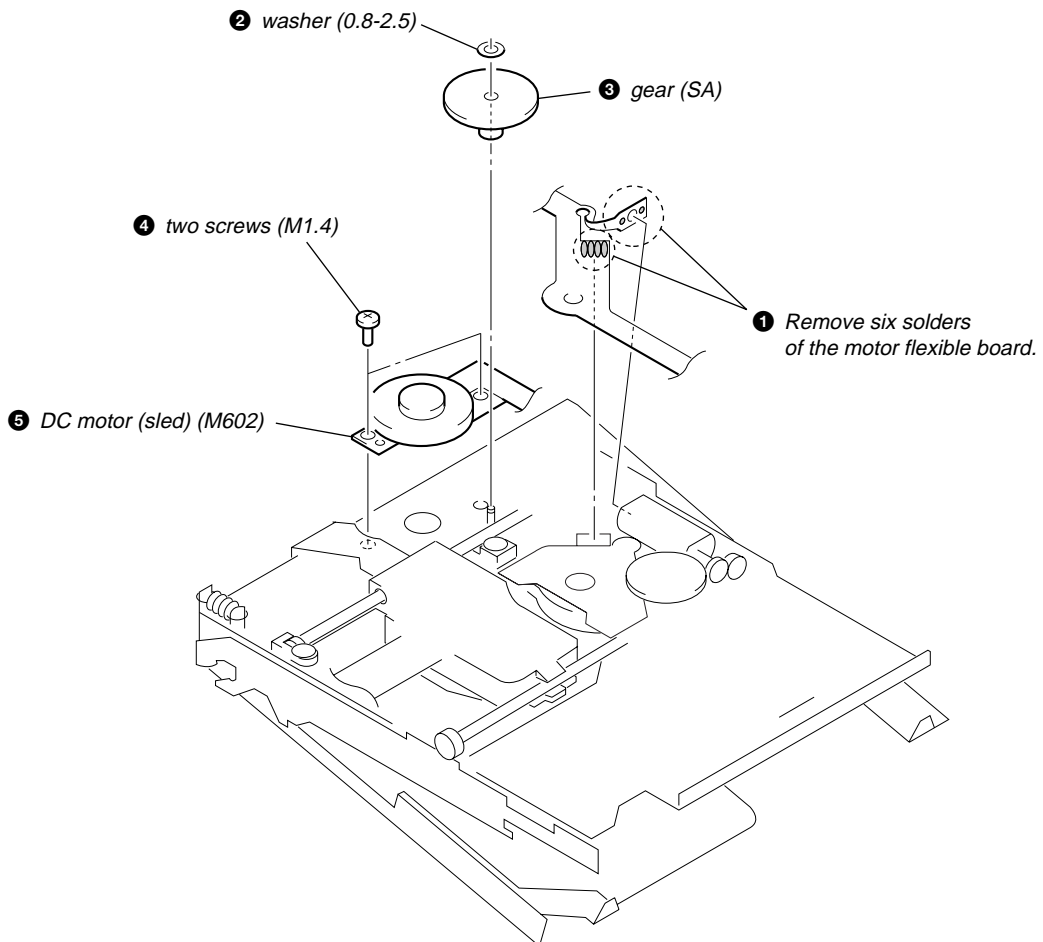
Note: Do not open the entire assy forcibly, when opening the over write head.



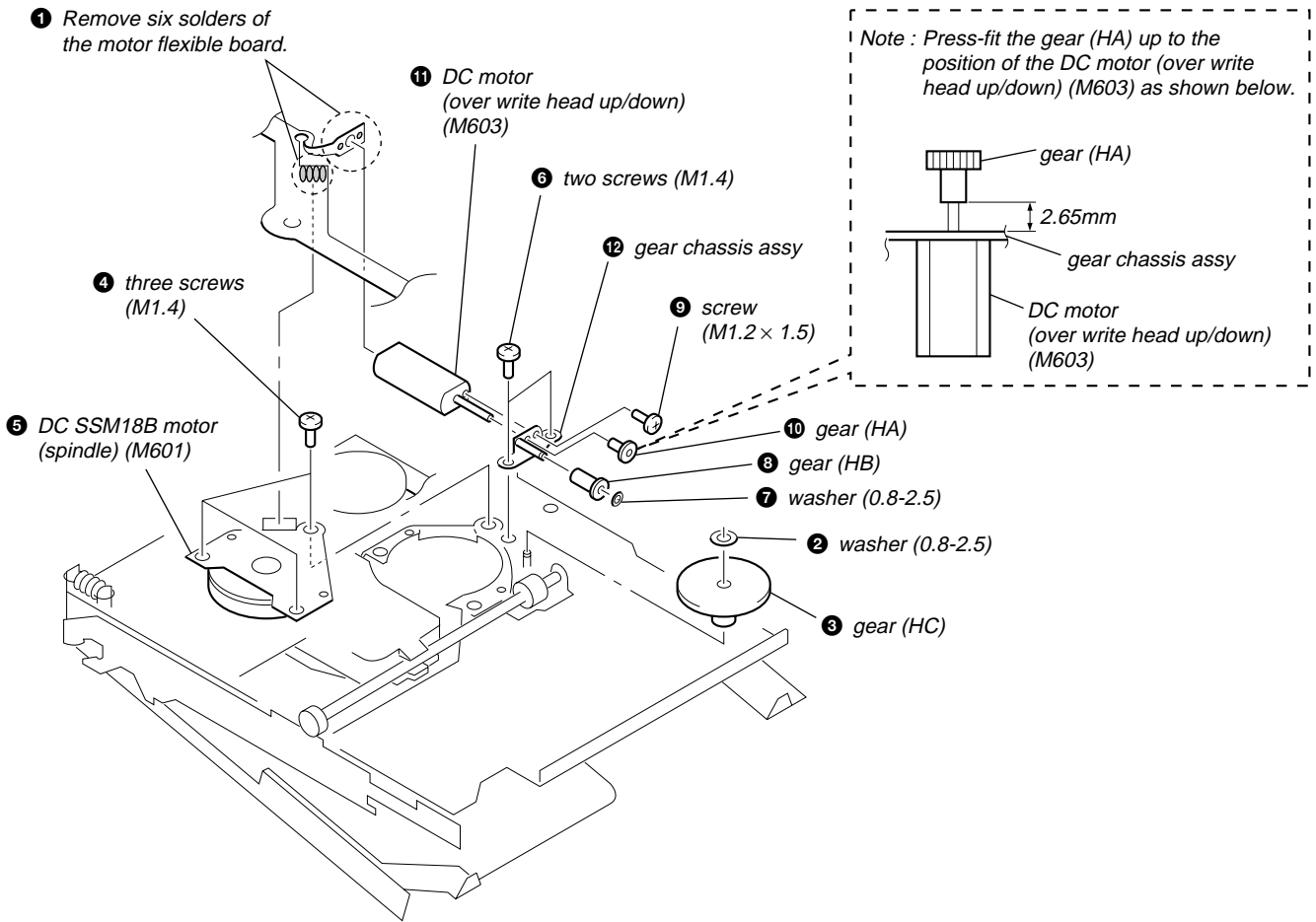
3-9. HOLDER ASSY



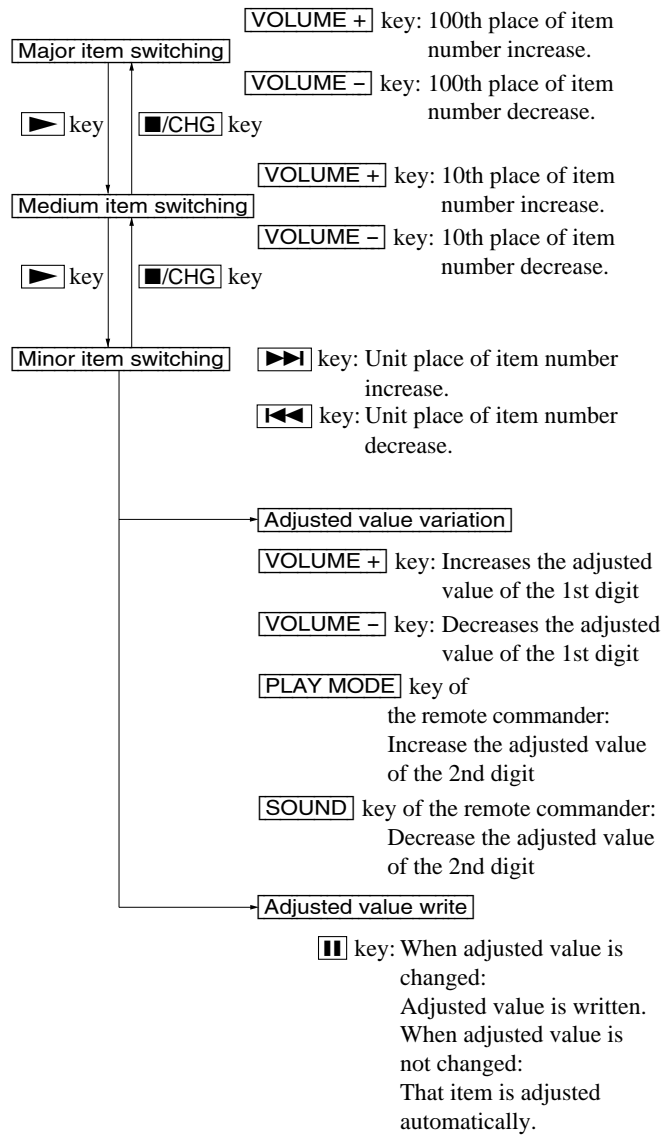
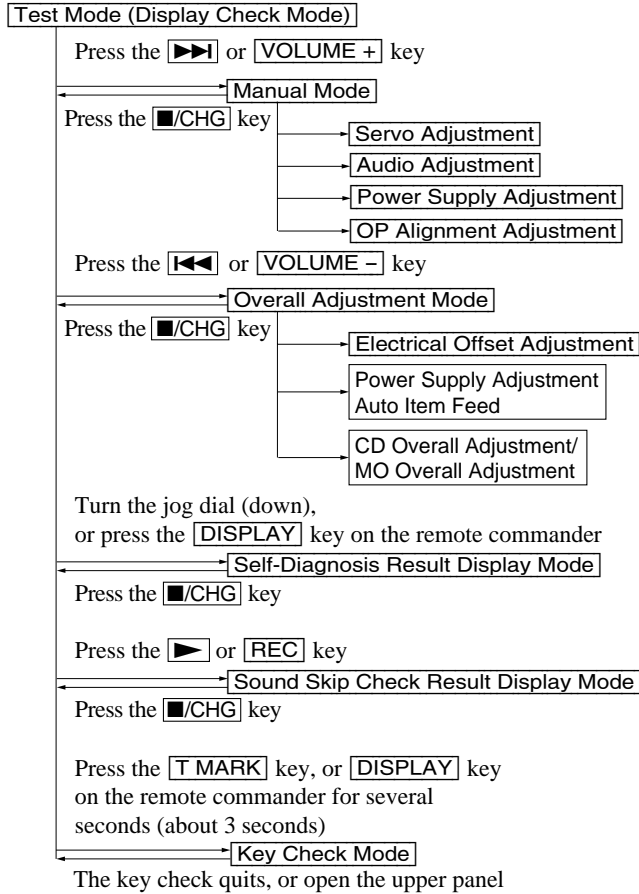
3-10. DC MOTOR (SLED) (M602)



3-11. DC SSM18B MOTOR (SPINDLE) (M601), DC MOTOR (OVER WRITE HEAD UP/DOWN) (M603)



Configuration of Test Mode



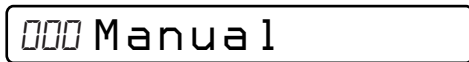
Manual Mode

Mode to adjust or check the operation of the set by function. Normally, the adjustment in this mode is not executed. However, the Manual mode is used to clear the memory, power supply adjustment, and laser power check before performing automatic adjustments in the Overall Adjustment mode.

• Transition method in manual mode

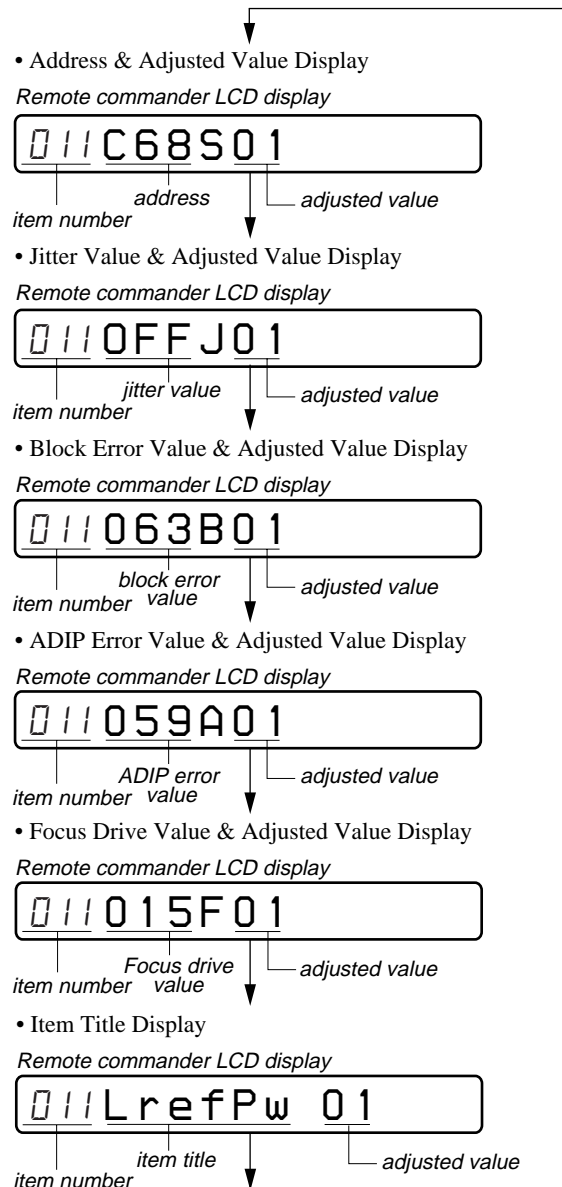
1. Set the test mode (see page 13).
2. Press the [▶▶] or [VOLUME+] key activates the manual mode where the LCD display as shown below.

Remote commander LCD display



3. During each test, the optical pick-up moves outward or inward while the [▶▶] or [◀◀] key is pressed for several seconds respectively.
4. Each test item is assigned with a 3-digit item number; 100th place is a major item, 10th place is a medium item, and unit place is a minor item. The values adjusted in the test mode are written to the nonvolatile memory (for the items where adjustment was made).

- The display changes as shown below each time the jog dial (down) is turned or the **[DISPLAY]** key on the remote commander is pressed.



However in the power mode (item number 700's), only the item is displayed.

- Quit the manual mode, and press the **[CHG]** key to return to the test mode (display check mode).

Overall Adjustment Mode

Mode to adjust the servo automatically in all items. Normally, automatic adjustment is executed in this mode at the repair. For further information, refer to "SECTION 5 ELECTRICAL ADJUSTMENTS" (see page 19).

Self-Diagnosis Result Display Mode

This set uses the self-diagnostic function system in which if an error occurred during the recording or playing, the mechanism control block and the power supply control block in the microcomputer detect it and record its cause as history in the nonvolatile memory.

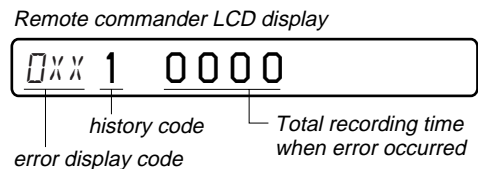
By checking this history in the test mode, you can analyze a fault and determine its location.

Total recording time is recorded as a guideline of how long the optical pickup has been used, and by comparing it with the total recording time at the time when an error occurred in the self-diagnosis result display mode, you can determine when the error occurred.

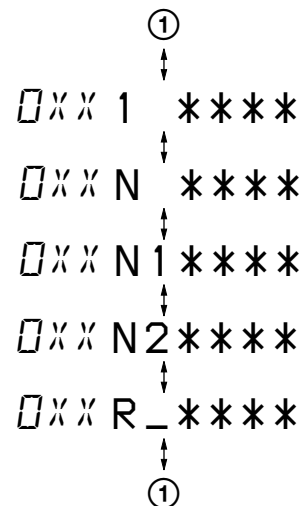
Clear both self-diagnosis history data and total recording time, if the optical pickup was replaced.

Self-diagnosis result display mode setting method

- Set the test mode (see page 13).
- In the display check mode, turn the jog dial (down) or press the **[DISPLAY]** key on the remote commander activates the self-diagnosis result display mode where the LCD display as shown below.



- Then, each time the **[▶▶]** key is pressed, LCD display descends by one as shown below. Also, the LCD display ascends by one when the **[◀◀]** key is pressed.



XX : Error code
 ***** : Total recording time

If the jog dial (down) is turned or the **[DISPLAY]** key on remote commander is pressed with this display, the LCD switches to the simple display mode.

- Quit the self-diagnosis result display mode, and press the **[CHG]** key to return to the test mode (display check mode).

• Description of error indication codes

Problem	Indication code	Meaning of code	Simple display	Description
No error	00	No error	---	No error
Servo system error	01	Illegal access target address was specified	Adrs	Attempt to access an abnormal address
	02	High temperature	Temp	High temperature detected
	03	Focus error	Fcus	Disordered focus or can not read an address
	04	Spindle error	Spdl	Abnormal rotation of disc
TOC error	11	TOC error	TOC	Faulty TOC contents
	12	Data reading error	Data	Data could not be read at SYNC
Power supply system error	22	Low battery	LBat	Momentary interruption detected
Offset system error	31	Offset error	Ofst	Offset error
	32	Focus error ABCD offset error	ABCD	Focus error ABCD offset error
	33	Tracking error Offset error	TE	Tracking error Offset error
	34	X1 tracking error Offset error	X1TE	X1 tracking error Offset error

• Description of indication history

History code number	Description
1	The first error
N	The last error
N1	One error before the last.
N2	Two errors before the last.
R_	Total recording time

Reset the Error Display Code

After servicing, reset the error display code.

• Setting method of reset the error display code

1. Set the test mode (see page 13).
2. Turn the jog dial (down) or press the **DISPLAY** key on the remote commander activates the self-diagnosis result display mode.
3. To reset the error display code, press the **II** key (twice) when the code is displayed (except "R_****").
(All the data on the 1, N, N1, and N2 will be reset)

Sound Skip Check Result Display Mode

This set can display the count of errors that occurred during the recording/playing for checking.

• Setting method of sound skip check result display mode

1. Set the test mode (see page 13).
2. Press the key or key, and the playing or recording sound skip result display mode becomes active respectively where the LCD displays the following.

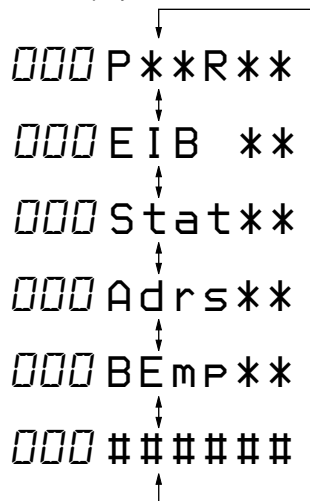
Remote commander LCD display



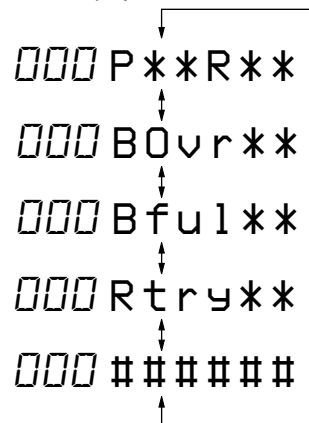
Total count of play system errors (hex.)
Total count of record system errors (hex.)

3. When the key is pressed, total error count is displayed on the LCD, and each time the key is pressed, the display item moves down by one as shown below. Also, if the key is pressed, the display item moves up by one, then if the key is pressed, the display in the record mode appears. When the key is pressed, total error count is displayed on the LCD, and each time the key is pressed, the display item moves down by one as shown below. Also, if the key is pressed, the display item moves up by one, then if the key is pressed, the display in the play mode appears.

Playing sound skip result display



Recording sound skip result display



P**R**: Total play/record errors (hex.)
** : Counter of sound skip check each item (hex.)
#####: 6-digit address where sound was skipped last (hex.)

• Cause of sound skip error

	Cause of error	Description of error
Play	EIB	Sound error correction error
	Stat	Decoder status error
	Adrs	Address access error
	BEmp	Buffer is empty
Record	BOvr	Buffer is full, and sounds were dumped
	Bful	Buffer capacity becomes less, and forcible writing occurred
	Rtry	Retry times over

4. To quit the sound skip check result display mode and to return to the test mode (display check mode), press the key.

Jog and Key Check Mode

This set can check if the set and remote commander function normally.

• Setting method of jog check mode

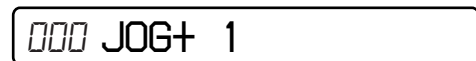
1. Set the test mode (see page 13).
2. Press the jog button to activate the jog check mode and display as below.

Remote commander LCD display



3. Turn the jog dial downwards one click.

Remote commander LCD display



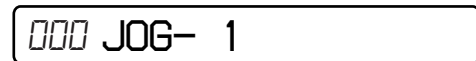
4. Turn the jog dial downwards three more clicks.

Remote commander LCD display



5. Turn the jog dial upwards one click.

Remote commander LCD display



6. Turn the jog dial upwards three more clicks.

Remote commander LCD display



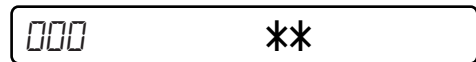
7. When the key is pressed, it changes over to the key check mode.

Note: To enter the key check mode, it is not necessary to enter via the jog dial check mode. (Refer to next item)

• Setting method of key check mode

1. Set the test mode (see page 13).
2. Press the key or key on the remote commander for several seconds (about 3 seconds) activates the key check mode. (At the last two digits, AD value of remote commander key line is displayed in hexadecimal)

Remote commander LCD display

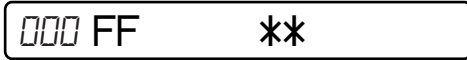


** : AD value of the remote commander key (hexadecimal 00 to FF)


3. When each key on the set and on remote commander is pressed, its name is displayed on the remote commander LCD. (The operated position is displayed for 4 seconds after the slide switch is operated. If any other key is pressed during this display, the remote commander LCD switches to its name display)

Example1: When the  key on the set is pressed:

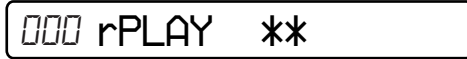
Remote commander LCD display



** : AD value of the remote commander key
(hexadecimal 00 to FF)

Example2: When the  key on the remote commander is pressed:

Remote commander LCD display



** : AD value of the remote commander key
(hexadecimal 00 to FF)

4. When all the keys on the set and on the remote commander are considered as OK, the following displays are shown for 4 seconds.

Example1: When the keys on the set are considered as OK:

Remote commander LCD display



** : AD value of the remote commander key
(hexadecimal 00 to FF)

Example2: When the keys on the remote commander are considered as OK:

Remote commander LCD display



** : AD value of the remote commander key
(hexadecimal 00 to FF)

5. When all keys were checked or if the upper panel is opened, the key check mode quits and the test mode (display check mode) comes back.

- 2) NV adjusted values modifying procedure
- 1) Select manual mode of the test mode, and set item number 336 (see page 14).

Remote commander LCD display

336 AbcdGn **

** : Adjusted value

- 2) Adjust with the **[VOLUME+]** key (adjusted value up) or **[VOL- UME-]** key (adjusted value down) so that the adjusted value becomes 8.
- 3) Press the **[II]** key to write the adjusted value.
- 4) Select manual mode of the test mode, and set item number 149 (see page 14).
- 5) Press the **[▶▶]** key to set item number 151.

Remote commander LCD display

151 Dfct 1 **

** : Adjusted value

- 6) Adjust with the **[VOLUME+]** key (adjusted value up) or **[VOL- UME-]** key (adjusted value down) so that the adjusted value becomes 07.
- 7) Press the **[II]** key to write the adjusted value.
- 8) Select manual mode of the test mode, and set item number 861 (see page 14).

Remote commander LCD display

861 U1 num **

** : Adjusted value

- 9) Adjust with the **[VOLUME+]** key (adjusted value up) or **[VOL- UME-]** key (adjusted value down) so that the adjusted value becomes 79.
- 10) Press the **[II]** key to write the adjusted value.
- 11) Select manual mode of the test mode, and set item number 862 (see page 14).

Remote commander LCD display

862 U1 dat **

** : Adjusted value

- 12) Adjust with the **[VOLUME+]** key (adjusted value up) or **[VOL- UME-]** key (adjusted value down) so that the adjusted value becomes 00.
- 13) Press the **[II]** key to write the adjusted value.
- 14) Select manual mode of the test mode, and set item number 863 (see page 14).

Remote commander LCD display

863 U2 num **

** : Adjusted value

- 15) Adjust with the **[VOLUME+]** key (adjusted value up) or **[VOL- UME-]** key (adjusted value down) so that the adjusted value becomes EA.
- 16) Press the **[II]** key to write the adjusted value.
- 17) Select manual mode of the test mode, and set item number 864 (see page 14).

Remote commander LCD display

864 U3 dat **

** : Adjusted value

- 18) Adjust with the **[VOLUME+]** key (adjusted value up) or **[VOL- UME-]** key (adjusted value down) so that the adjusted value becomes 01.

- 19) Press the **[II]** key to write the adjusted value.
- 20) Select manual mode of the test mode, and set item number 865 (see page 14).

Remote commander LCD display

865 U3 num **

** : Adjusted value

- 21) Adjust with the **[VOLUME+]** key (adjusted value up) or **[VOL- UME-]** key (adjusted value down) so that the adjusted value becomes 2C.
- 22) Press the **[II]** key to write the adjusted value.
- 23) Select manual mode of the test mode, and set item number 866 (see page 14).

Remote commander LCD display

866 U3 dat **

** : Adjusted value

- 24) Adjust with the **[VOLUME+]** key (adjusted value up) or **[VOL- UME-]** key (adjusted value down) so that the adjusted value becomes B9.
- 25) Press the **[II]** key to write the adjusted value.
- 26) Select manual mode of the test mode, and set item number 867 (see page 14).

Remote commander LCD display

867 U4 num **

** : Adjusted value

- 27) Adjust with the **[VOLUME+]** key (adjusted value up) or **[VOL- UME-]** key (adjusted value down) so that the adjusted value becomes C9.
- 28) Press the **[II]** key to write the adjusted value.
- 29) Select manual mode of the test mode, and set item number 868 (see page 14).

Remote commander LCD display

868 U4 dat **

** : Adjusted value

- 30) Adjust with the **[VOLUME+]** key (adjusted value up) or **[VOL- UME-]** key (adjusted value down) so that the adjusted value becomes 80.
- 31) Press the **[II]** key to write the adjusted value.
- 32) Select manual mode of the test mode, and set item number 871 (see page 14).

Remote commander LCD display

871 U5 num **

** : Adjusted value

- 33) Adjust with the **[VOLUME+]** key (adjusted value up) or **[VOL- UME-]** key (adjusted value down) so that the adjusted value becomes CA.
- 34) Press the **[II]** key to write the adjusted value.
- 35) Select manual mode of the test mode, and set item number 872 (see page 14).

Remote commander LCD display

872 U5 dat **

** : Adjusted value

- 36) Adjust with the **[VOLUME+]** key (adjusted value up) or **[VOL- UME-]** key (adjusted value down) so that the adjusted value becomes 2D.
- 37) Press the **[II]** key to write the adjusted value.

- 38) Select manual mode of the test mode, and set item number 873 (see page 14).

Remote commander LCD display

873 V6 num **

** : Adjusted value

- 39) Adjust with the **[VOLUME+]** key (adjusted value up) or **[VOLUME-]** key (adjusted value down) so that the adjusted value becomes BB.
- 40) Press the **[]** key to write the adjusted value.
- 41) Select manual mode of the test mode, and set item number 874 (see page 14).

Remote commander LCD display

874 V6 dat **

** : Adjusted value

- 42) Adjust with the **[VOLUME+]** key (adjusted value up) or **[VOLUME-]** key (adjusted value down) so that the adjusted value becomes 05.
- 43) Press the **[]** key to write the adjusted value.

• Change of NV adjusted values (version 1.100)

Caution: Change the NV adjustment values according to the microcomputer version.

In this set, some adjusted values were set in the manual mode at the shipment, but these will be cleared when the NV is reset.

Therefore, modify the NV adjusted values through the following procedure immediately after the NV was reset.

- Item numbers in which the NV adjusted values are to be modified
 - Change ABCD gain [Hpit] initial value (item number 336)

Caution: The ABCD gain [Hpit] initial value must be changed before the overall adjustment.
 - Change CLV drive voltage limiter (item numbers 865, 866)
 - Change x2 CLV speed gain, +6dB compared to conventional (item numbers 867, 868)
 - Change x2 CLV phase gain, +3dB compared to conventional (item numbers 871, 872)
 - Change x2/x1 switching temperature threshold value (+10°C → +5°C) (item numbers 873, 874)

2. NV adjusted values modifying procedure

- 1) Select manual mode of the test mode, and set item number 336 (see page 14).

Remote commander LCD display

336 AbcdGn **

** : Adjusted value

- 2) Adjust with the **[VOLUME+]** key (adjusted value up) or **[VOLUME-]** key (adjusted value down) so that the adjusted value becomes 08.
- 3) Press the **[]** key to write the adjusted value.
- 4) Select manual mode of the test mode, and set item number 865 (see page 14).

Remote commander LCD display

865 V3 num **

** : Adjusted value

- 5) Adjust with the **[VOLUME+]** key (adjusted value up) or **[VOLUME-]** key (adjusted value down) so that the adjusted value becomes 2C.
- 6) Press the **[]** key to write the adjusted value.

- 7) Select manual mode of the test mode, and set item number 866 (see page 14).

Remote commander LCD display

866 V3 dat **

** : Adjusted value

- 8) Adjust with the **[VOLUME+]** key (adjusted value up) or **[VOLUME-]** key (adjusted value down) so that the adjusted value becomes B9.
- 9) Press the **[]** key to write the adjusted value.
- 10) Select manual mode of the test mode, and set item number 867 (see page 14).

Remote commander LCD display

867 V4 num **

** : Adjusted value

- 11) Adjust with the **[VOLUME+]** key (adjusted value up) or **[VOLUME-]** key (adjusted value down) so that the adjusted value becomes C9.
- 12) Press the **[]** key to write the adjusted value.
- 13) Select manual mode of the test mode, and set item number 868 (see page 14).

Remote commander LCD display

868 V4 dat **

** : Adjusted value

- 14) Adjust with the **[VOLUME+]** key (adjusted value up) or **[VOLUME-]** key (adjusted value down) so that the adjusted value becomes 80.
- 15) Press the **[]** key to write the adjusted value.
- 16) Select manual mode of the test mode, and set item number 871 (see page 14).

Remote commander LCD display

871 V5 num **

** : Adjusted value

- 17) Adjust with the **[VOLUME+]** key (adjusted value up) or **[VOLUME-]** key (adjusted value down) so that the adjusted value becomes CA.
- 18) Press the **[]** key to write the adjusted value.
- 19) Select manual mode of the test mode, and set item number 872 (see page 14).

Remote commander LCD display

872 V5 dat **

** : Adjusted value

- 20) Adjust with the **[VOLUME+]** key (adjusted value up) or **[VOLUME-]** key (adjusted value down) so that the adjusted value becomes 2D.
- 21) Press the **[]** key to write the adjusted value.
- 22) Select manual mode of the test mode, and set item number 873 (see page 14).

Remote commander LCD display

873 V6 num **

** : Adjusted value

- 23) Adjust with the **[VOLUME+]** key (adjusted value up) or **[VOLUME-]** key (adjusted value down) so that the adjusted value becomes BB.
- 24) Press the **[]** key to write the adjusted value.

- 25) Select manual mode of the test mode, and set item number 874 (see page 14).

Remote commander LCD display



** : Adjusted value

- 26) Adjust with the **VOLUME +** key (adjusted value up) or **VOLUME -** key (adjusted value down) so that the adjusted value becomes 05.
 27) Press the **II** key to write the adjusted value.

Power Supply Manual Adjustment

• Adjustment sequence

Adjustment must be done with the following steps.

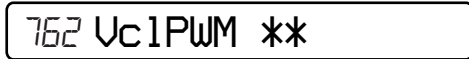
1. Vc PWM Duty (L) adjustment (item number: 762)
- ↓
2. Vc PWM Duty (H) adjustment (item number: 763)
- ↓
3. VI PWM Duty (L) adjustment (item number: 764)
- ↓
4. VI PWM Duty (H) adjustment (item number: 765)
- ↓
5. Vrec PWM Duty (L) adjustment (item number: 766)
- ↓
6. Vrec PWM Duty (H) adjustment (item number: 767)
- ↓
7. Vd PWM Duty adjustment (item number: 768)

• Setting method of power supply manual adjustment

1. Make sure that the power supply voltage is 3V.
2. Select the manual mode of the test mode (see page 14).
3. Set item number.

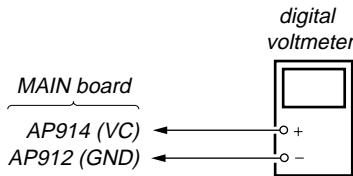
• Adjustment method of Vc PWM Duty (L) (item number: 762)

Remote commander LCD display



** : Adjusted value

1. Connect a digital voltmeter to the AP914 (VC) on the MAIN board, and adjust **VOLUME +** key (voltage up) or **VOLUME -** key (voltage down) so that the voltage becomes $2.40^{+0.005}_{-0.01}$ V.



2. Press the **II** key to write the adjusted value.

Adjustment and Connection Location: MAIN board (see page 24)

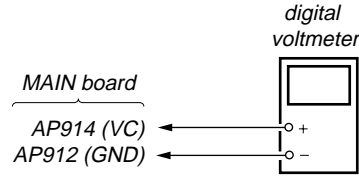
• Adjustment method of Vc PWM Duty (H) (item number: 763)

Remote commander LCD display



** : Adjusted value

1. Connect a digital voltmeter to the AP914 (VC) on the MAIN board, and adjust **VOLUME +** key (voltage up) or **VOLUME -** key (voltage down) so that the voltage becomes 2.75 ± 0.015 V.

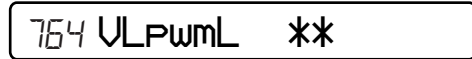


2. Press the **II** key to write the adjusted value.

Adjustment and Connection Location: MAIN board (see page 24)

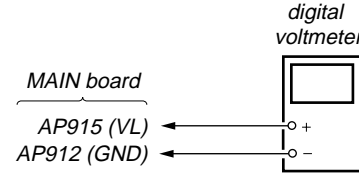
• Adjustment method of VI PWM Duty (L) (item number: 764)

Remote commander LCD display



** : Adjusted value

1. Connect a digital voltmeter to the AP915 (VL) on the MAIN board, and adjust **VOLUME +** key (voltage up) or **VOLUME -** key (voltage down) so that the voltage becomes $2.30^{+0.005}_{-0.01}$ V.

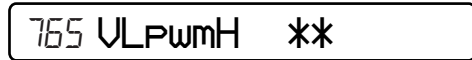


2. Press the **II** key to write the adjusted value.

Adjustment and Connection Location: MAIN board (see page 24)

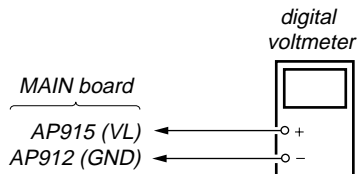
• Adjustment method of VI PWM Duty (H) (item number: 765)

Remote commander LCD display



** : Adjusted value

1. Connect a digital voltmeter to the AP915 (VL) on the MAIN board, and adjust **VOLUME +** key (voltage up) or **VOLUME -** key (voltage down) so that the voltage becomes $2.55^{+0.005}_{-0.01}$ V.

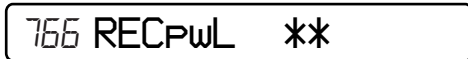


2. Press the **II** key to write the adjusted value.

Adjustment and Connection Location: MAIN board (see page 24)

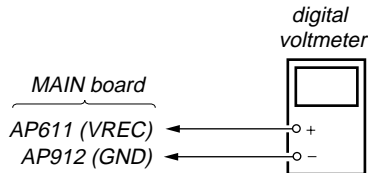
• **Adjustment method of Vrec PWM Duty (L)**
(item number: 766)

Remote commander LCD display



** : Adjusted value

1. Connect a digital voltmeter to the AP611 (VREC) on the MAIN board, and adjust [VOLUME +] key (voltage up) or [VOLUME -] key (voltage down) so that the voltage becomes $1.08^{+0.025}_{-0.005}$ V.

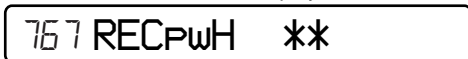


2. Press the [II] key to write the adjusted value.

Adjustment and Connection Location: MAIN board
(see page 24)

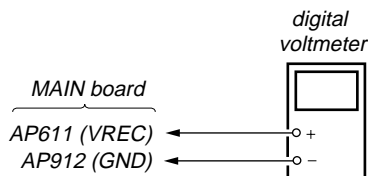
• **Adjustment method of Vrec PWM Duty (H)**
(item number: 767)

Remote commander LCD display



** : Adjusted value

1. Connect a digital voltmeter to the AP611 (VREC) on the MAIN board, and adjust [VOLUME +] key (voltage up) or [VOLUME -] key (voltage down) so that the voltage becomes 1.65 to 1.70 V.



2. Press the [II] key to write the adjusted value.

Adjustment and Connection Location: MAIN board
(see page 24)

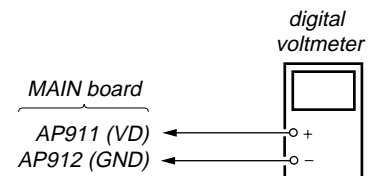
• **Adjustment method of Vd PWM Duty**
(item number: 768)

Remote commander LCD display



** : Adjusted value

1. Connect a digital voltmeter to the AP911 (VD) on the MAIN board, and adjust [VOLUME +] key (voltage up) or [VOLUME -] key (voltage down) so that the voltage becomes 1.31 ± 0.010 V.



2. Press the [II] key to write the adjusted value.

Adjustment and Connection Location: MAIN board
(see page 24)

Temperature Correction

• **Adjustment method of temperature correction**

1. Select the manual mode of test mode, and set the item number 015 (see page 14).

Remote commander LCD display

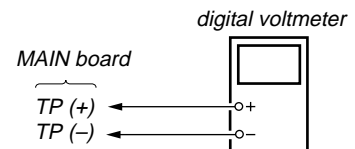
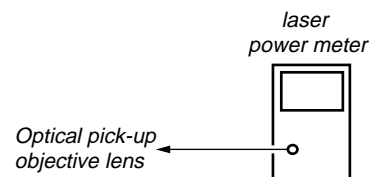


** : Adjusted value

2. Measure the ambient temperature.
3. Adjust with [VOLUME +], [VOLUME -] key so that the adjusted value (hexadecimal value) becomes the ambient temperature.
(Initial value: 19h = 25 °C, Adjusting range: 80h to 7fh (-128 °C to +127 °C))
4. Press the [II] key to write the adjusted value.

Laser Power Check

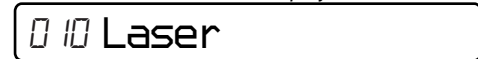
Connection :



Checking Method :

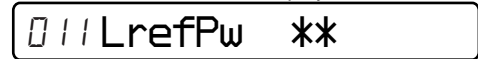
1. Select the manual mode of test mode (see page 14), and set the laser power adjusting mode (item number 010).

Remote commander LCD display



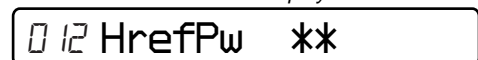
2. Press the [◀◀] key continuously until the optical pick-up moves to the most inward track.
3. Open the cover and set the laser power meter on the objective lens of the optical pick-up.
4. Press the [▶] key, and set the laser MO read adjustment mode (item number 011).

Remote commander LCD display




5. Check that the laser power meter reading is 0.81 ± 0.08 mW.
6. Check that the voltage both ends (TP (+) and TP (-)) of resistor R521 at this time is below 44 mV.
7. Press the [▶] key, and set the laser CD read adjustment mode (item number 012).

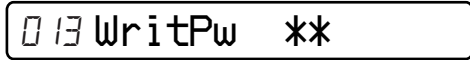
Remote commander LCD display




8. Check that the laser power meter reading is 0.97 ± 0.10 mW.
9. Check that the voltage both ends (TP (+) and TP (-)) of resistor R521 at this time is below 44 mV.

- Press the  key, and set the laser MO write adjustment mode (item number 013).

Remote commander LCD display

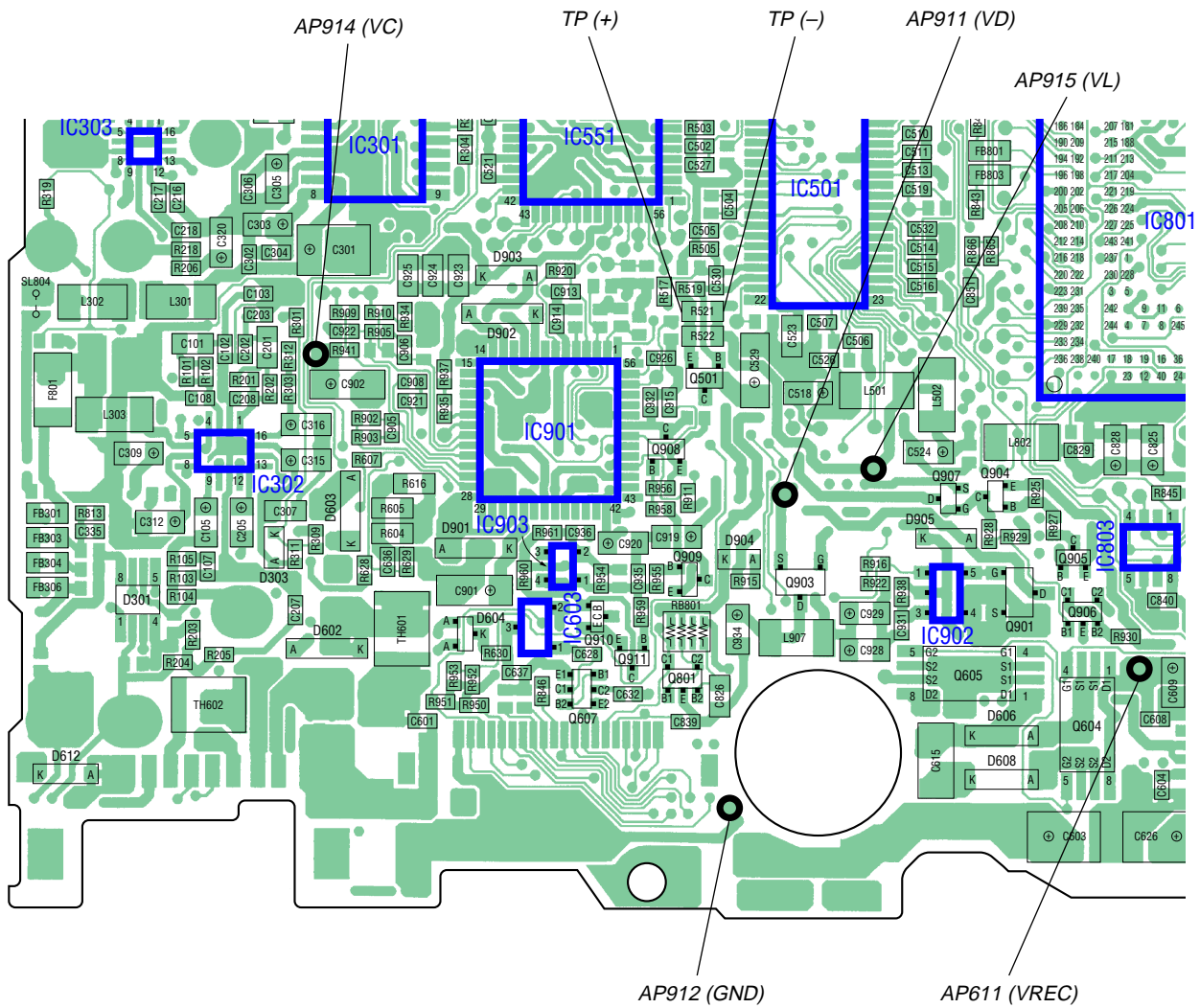


- Check that the laser power meter reading is 4.95 ± 0.50 mW.
- Check that the voltage both ends (TP (+) and TP (-)) of resistor R521 at this time is below 80 mV.
- Press the  key to quit the manual mode, and activate the test mode (display check mode).

Checking and Connection Location: MAIN board

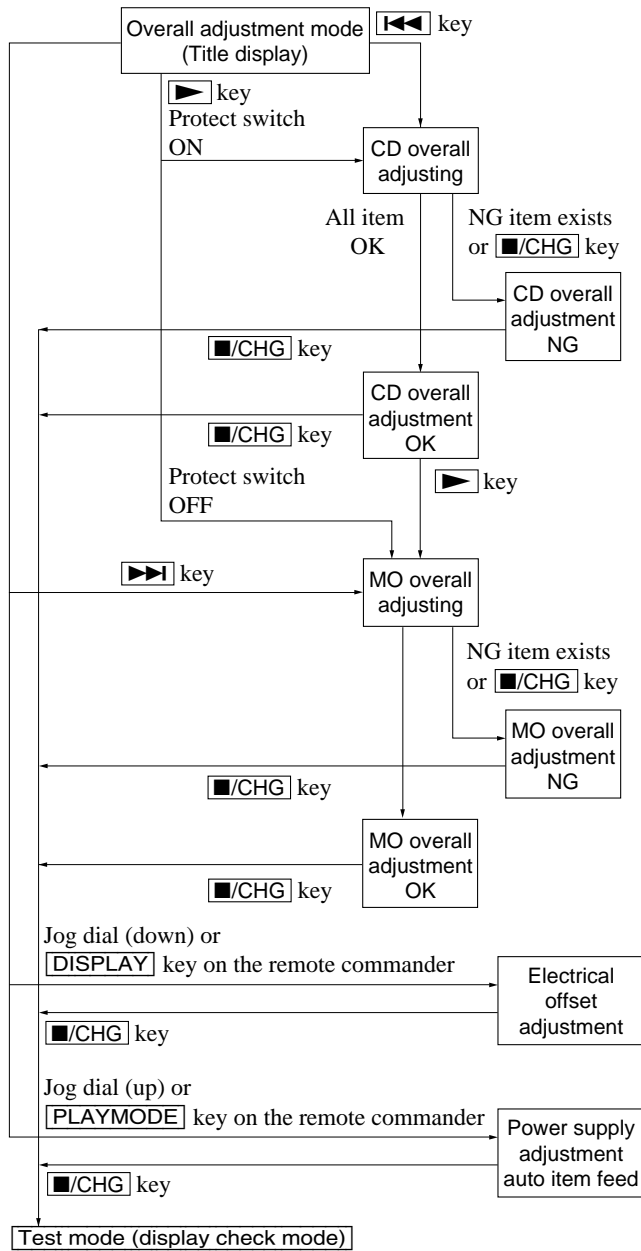
Adjustment/checking and Connection Location:

– MAIN Board (Conductor Side) –



Overall Adjustment Mode

• Configuration of overall adjustment mode



• Overall adjustment mode (title display)

Remote commander LCD display



- ⊗: (Disc mark) At end of power supply adjustment: Outside lit
At end of electrical offset adj.: Inside lit
- Note: On the set having microcomputer version 1.000, the disc mark is displayed on the remote commander LCD only.
- ** : Left side = MO overall adjustment information
F* : MO overall adjustment completed
1* : Manual adjustment exists (overall adj. not completed)
0* : Not adjusted
- Right side = CD overall adjustment information
*F : CD overall adjustment completed
*1 : Manual adjustment exists (overall adj. not completed)
*0 : Not adjusted

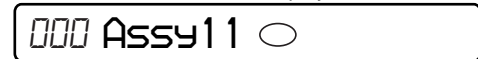
Note: Adjust the CD first, when performing adjustment.

• Electrical offset adjusting method

Caution: The electrical offset adjustment must be made with no disc loaded.

1. Make sure that the power supply voltage is 3 V.
2. Set the test mode (see page 13).
3. Press the ◀◀ or [VOLUME -] key to activate the overall adjustment mode.

Remote commander LCD display



4. Turn the jog dial (down), or press the [DISPLAY] key on the remote commander.

Remote commander LCD display



5. Electrical offset adjustment is over, if the following display appears.

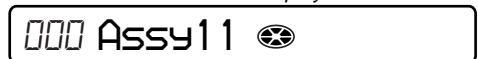
Remote commander LCD display



• Adjustment method of CD and MO overall adjustment mode

1. Set the test mode (see page 13).
2. Press the ◀◀ or [VOLUME -] key to activate the overall adjustment mode.

Remote commander LCD display



3. Insert CD disc in the set, and press the ◀◀ key to set the CD overall adjustment mode. Automatic adjustments are made.

Remote commander LCD display



XXX : Item number for which an adjustment is being executed.

- In case of CD overall adjustment NG, reset the NV (see page 19), then readjust from the temperature correction (see page 21).

Remote commander LCD display

000 *** NG

** : NG item number.

- If OK through the CD overall adjustments, then perform MO overall adjustments.

Remote commander LCD display

000 CD OK

- Insert MO disc in the set, and press the key to set the MO overall adjustment mode. Automatic adjustments are made.

Remote commander LCD display

X X X MO RUN

X X X : Item number for which an adjustment is being executed.

- In case of MO overall adjustment NG, reset the NV (see page 19), then readjust from the temperature correction (see page 21).

Remote commander LCD display

000 *** NG

** : NG item number.

- If OK through the MO overall adjustments, press the / key to return to the test mode and terminate the overall adjustment mode.

Remote commander LCD display

000 MO OK

• CD and MO overall adjustment items

1. CD overall adjustment items

Item No.	Description
312	
313	CD electrical offset adjustment
314	
321	CD tracking error gain adjustment
328	CD TWPP gain adjustment
324	
332	CD tracking error offset adjustment
336	CD ABCD gain adjustment
344	CD focus gain adjustment
345	CD tracking gain adjustment
521	
522	CD two-axis sensitivity adjustment

2. MO overall adjustment items

Item No.	Description
112	
113	
114	MO electrical offset adjustment
118	
221	Low reflective CD tracking error gain adjustment
224	
232	Low reflective CD tracking error offset adjustment
236	Low reflective CD ABCD gain adjustment
244	Low reflective CD focus gain adjustment
245	Low reflective CD tracking gain adjustment
121	MO tracking error gain adjustment
122	MO TON offset adjustment
134	MO TWPP gain adjustment
131	
132	MO triple speed read TWPP offset adjustment
136	MO ABCD gain adjustment
144	MO focus gain adjustment
145	MO tracking gain adjustment
138	MO RF gain adjustment
434	MO write TWPP gain adjustment
431	MO write TWPP offset adjustment
432	MO tracking error offset adjustment
436	MO write ABCD gain adjustment
445	MO write tracking gain adjustment
411	MO normal speed read TWPP offset adjustment
412	MO tracking error offset adjustment
448	20 sec full recording

Resume Clear

Perform the Resume clear when all adjustments completed.

• Resume clear setting method

- Select the manual mode of the test mode, and set item number 043 (see page 14).

Remote commander LCD display

043 Resume CC

- Press the key.

Remote commander LCD display

043 Res***

↓ Resume clear complete

043 ResC1r

- Press the / key to return to the test mode (display check mode).

Rewriting the Patch Data at Replacement of Main Board or Nonvolatile Memory (IC802)

This set requires the patch data in the nonvolatile memory (IC802) to be rewritten using the application, when the MAIN board or nonvolatile memory (IC802) was replaced.

Caution: The application that meets the microcomputer version in this set must be used when rewriting the patch data. Rewriting the patch data using the application not suitable for the microcomputer version could cause the set to malfunction.
For a checking method of the microcomputer version, see “SECTION 4 TEST MODE” (page 13).

• Preparation

1. USB cradle (attached to the set)
2. USB cable (attached to the set)
3. Personal computer in which the Net MD Driver has been installed. (For further information, see “System requirements” (page 4) in “SECTION 1 SERVICING NOTES”)
4. Application “PatchWriter” for patch data rewriting

• How to get the application “PatchWriter” for patch data rewriting

Download it from the following homepage.

Name: ESI HomePage

URL: <http://43.7.134.23/index.htm>

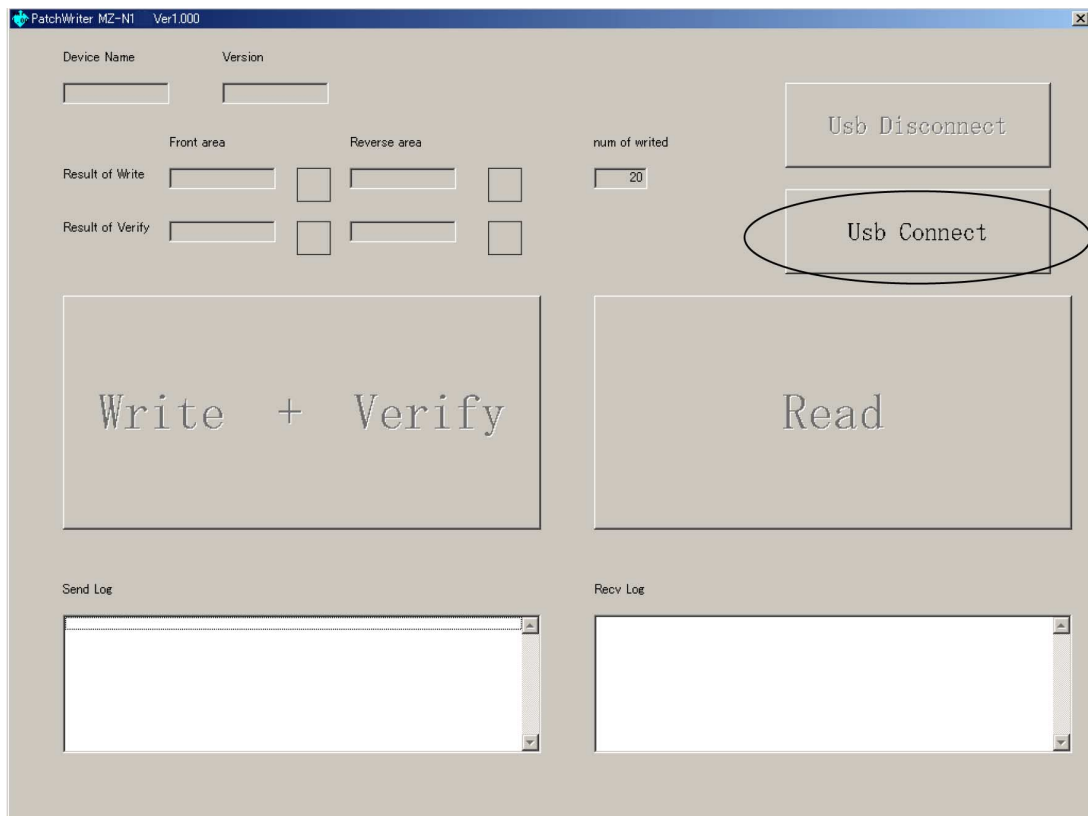
• Pre-check

1. Check the microcomputer version in this set. (For a checking method of the microcomputer version, see “SECTION 4 TEST MODE” (page 13).)
2. Check that the Net MD Driver has been installed in the personal computer.
3. Make sure that the set is in the Normal mode.

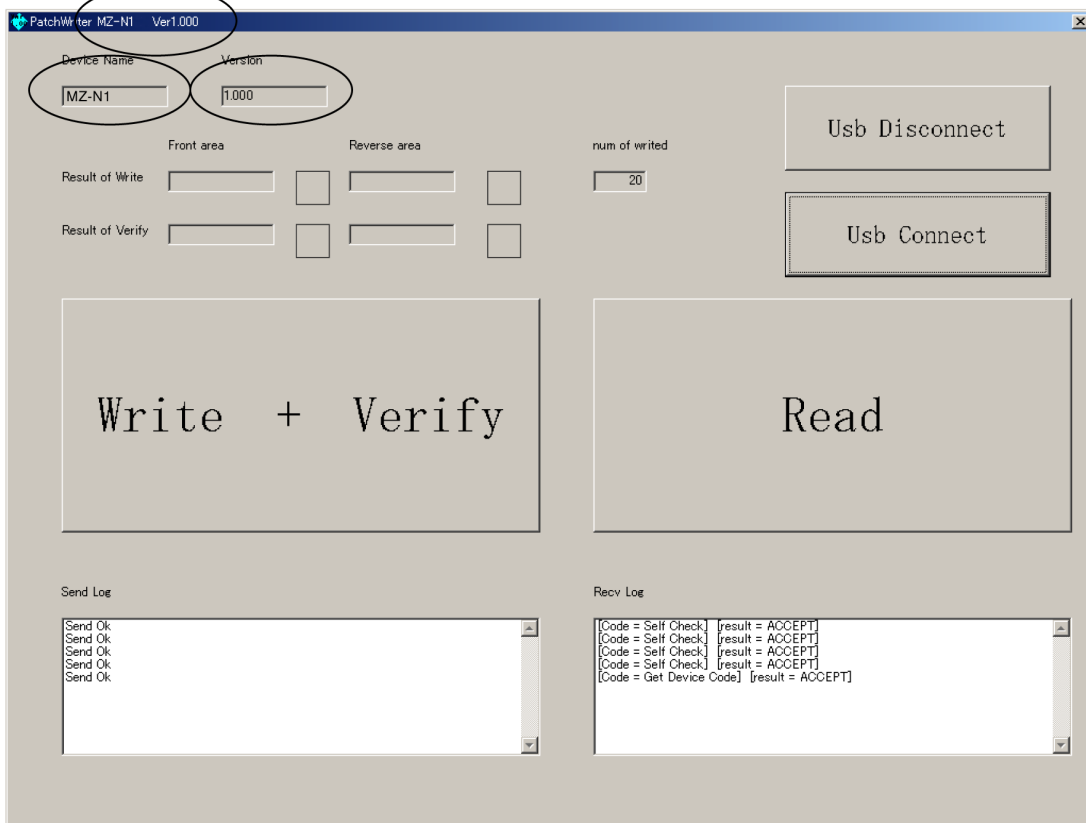
Note: Do not rewrite the patch data in the Test mode.

• Rewriting the patch data

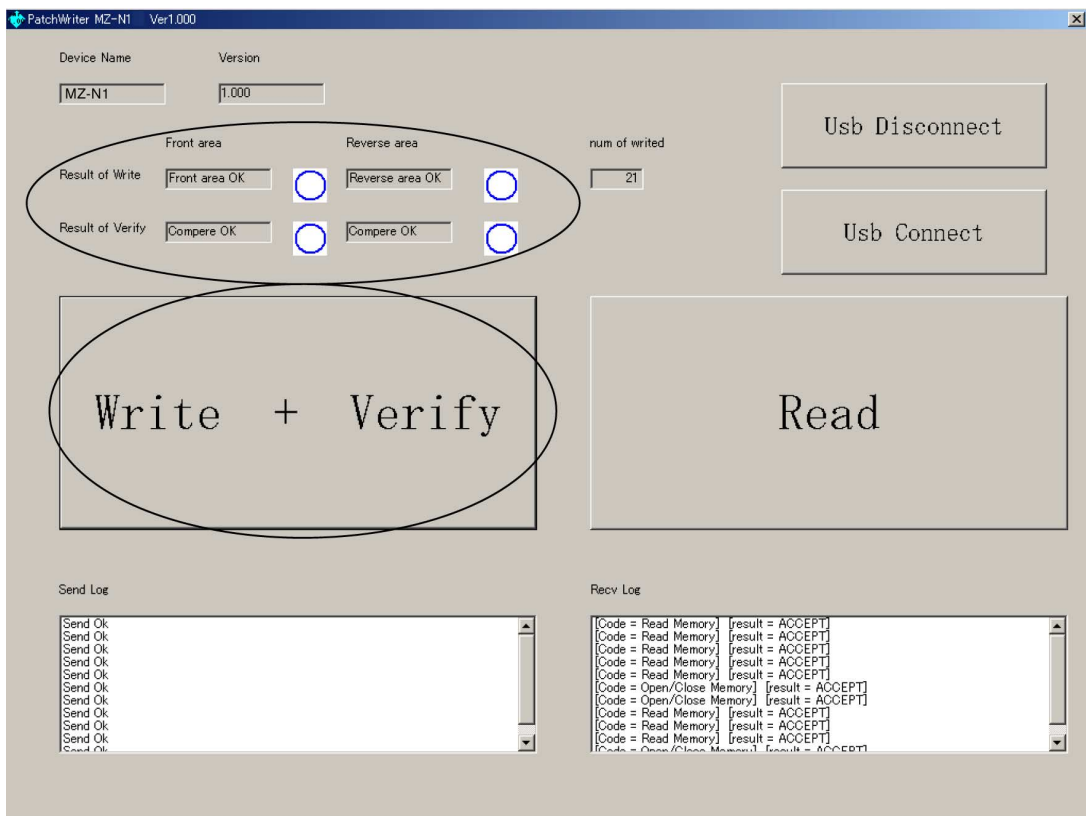
1. Connect the USB cradle to the personal computer with the USB cable, and place the set on the USB cradle.
2. Start the application “PatchWriter”.
3. Make sure that the following window opens.
4. Click the [Usb Connect] button.



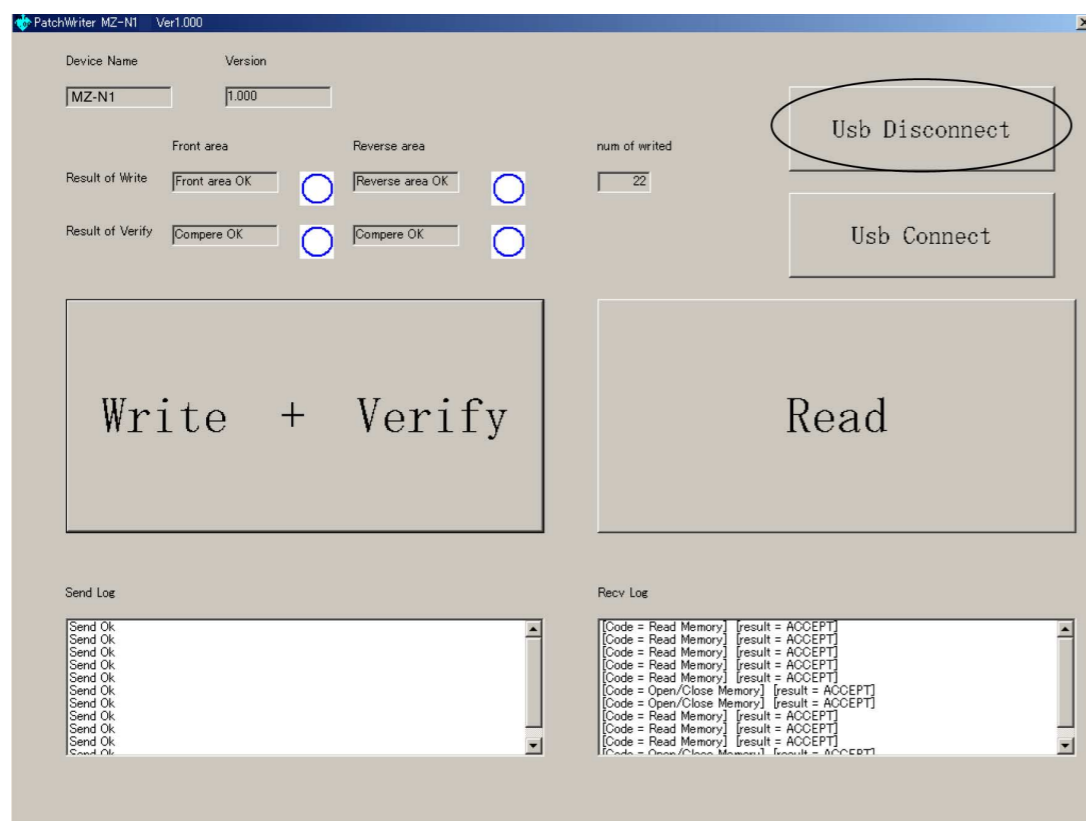
- Confirm that the model and version indicated on the title bar coincide with the codes displayed in the Device Name block and the Version block in the window.



- Click the [Write + Verify] button.
The patch data writing and the verify processing will be executed automatically in the following order:
 - Writing to patch area (front area)
 - Writing to patch area (reverse area)
 - Verifying patch area (front area)
 - Verifying patch area (reverse area)
- The operation will terminate with the ○ mark given to all areas.
If the × mark is given to any area, the nonvolatile memory will be faulty.

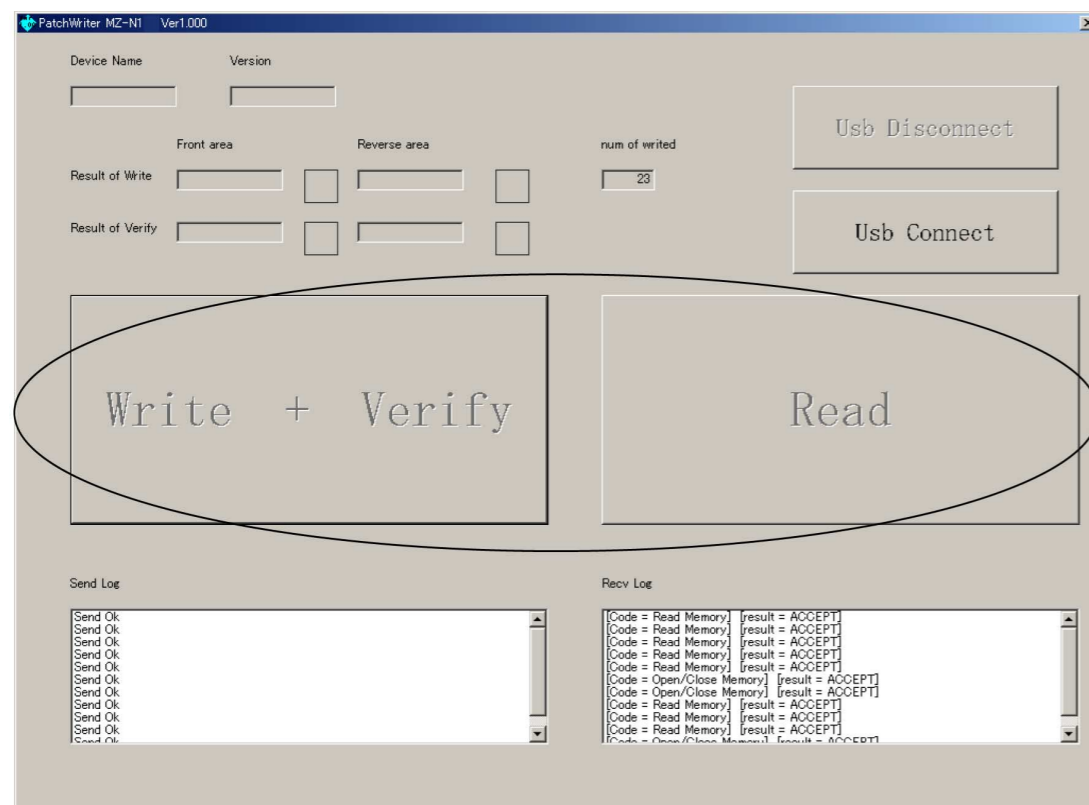


8. Click the [Usb Disconnect] button.



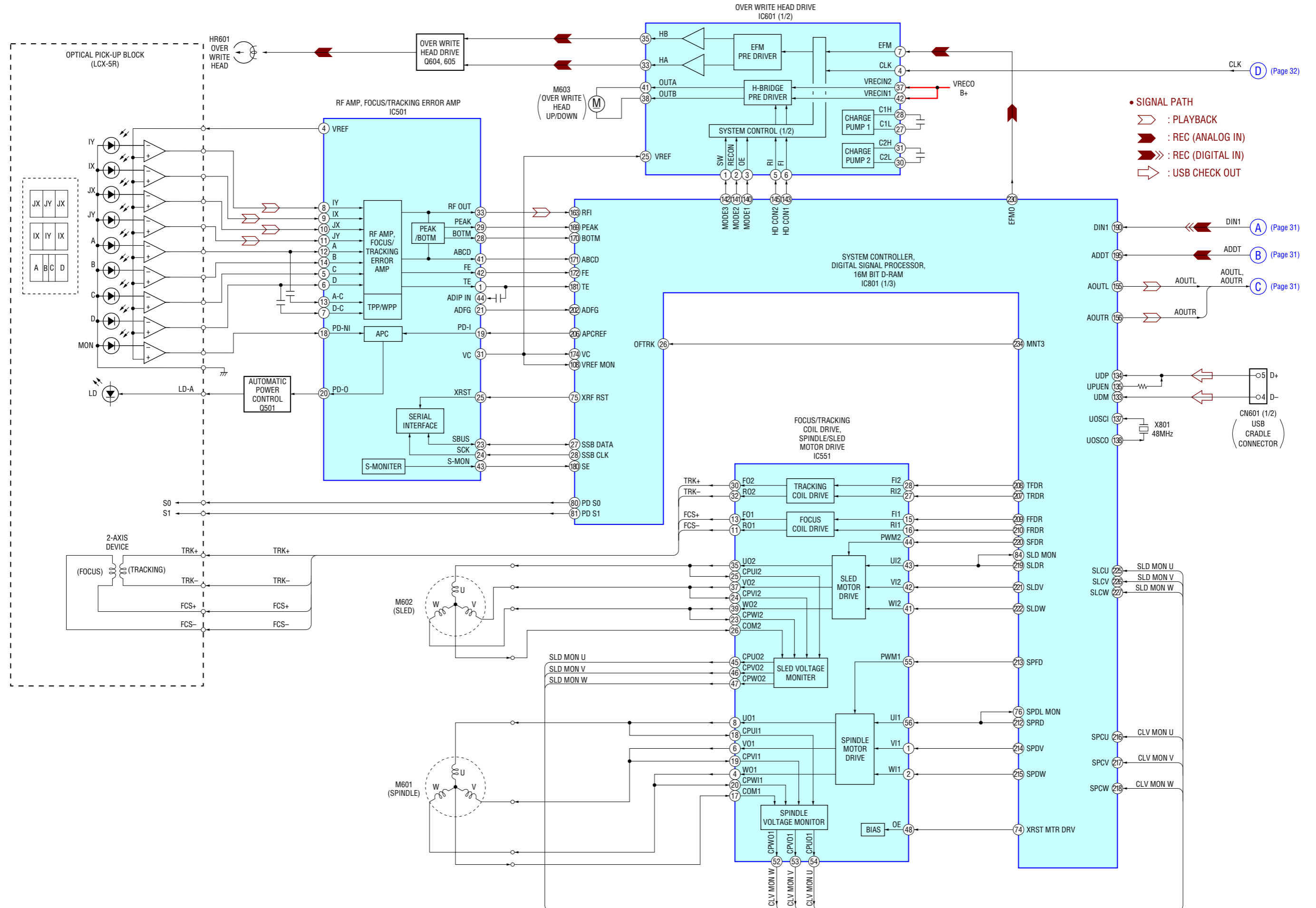
10. Disconnect the USB cable from the personal computer and the USB cradle.
11. Remove the set from the USB cradle.

9. Confirm that the window becomes as shown below where the [Write + Verify] button and [Read] button are inactive.

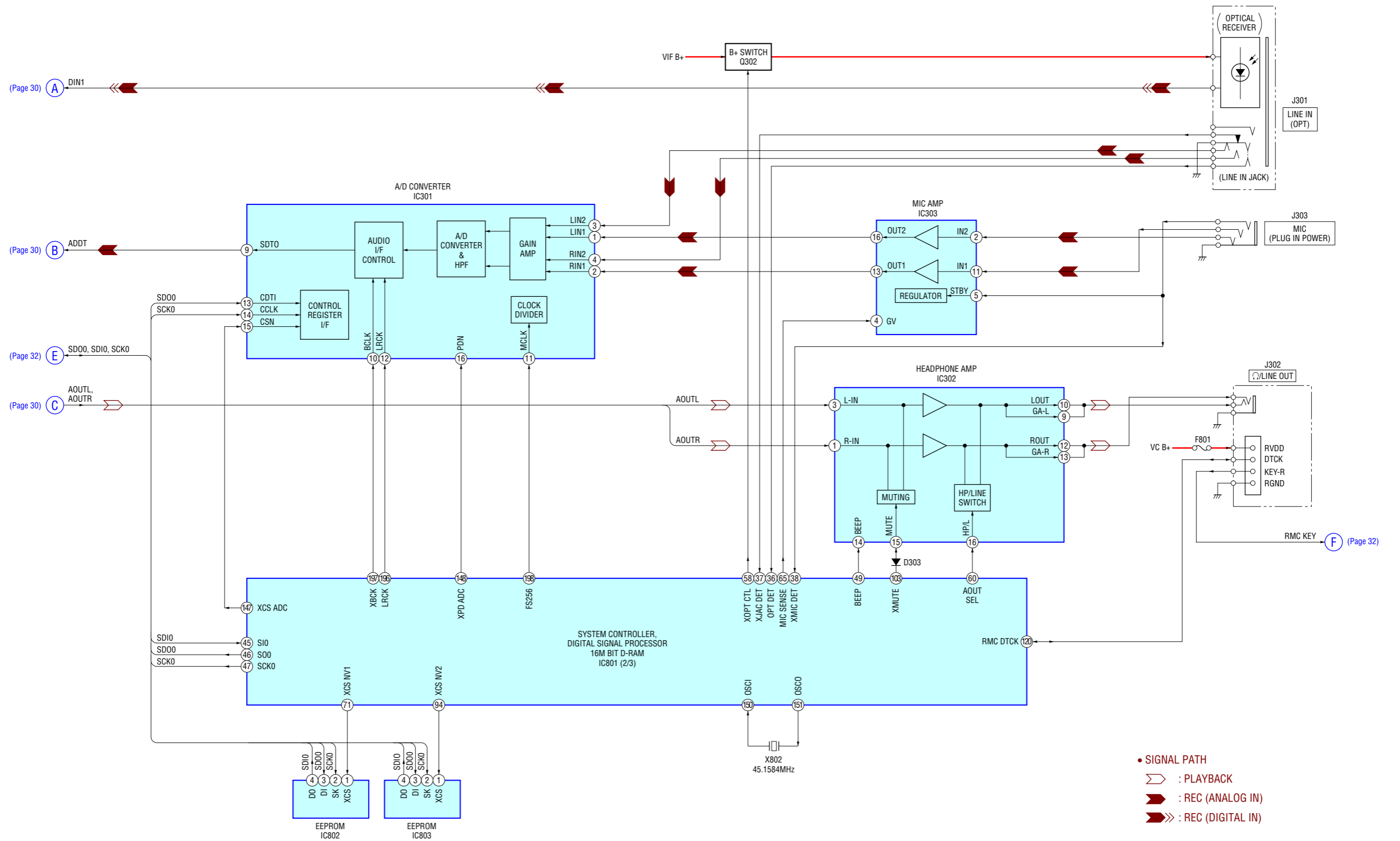


SECTION 6
DIAGRAMS

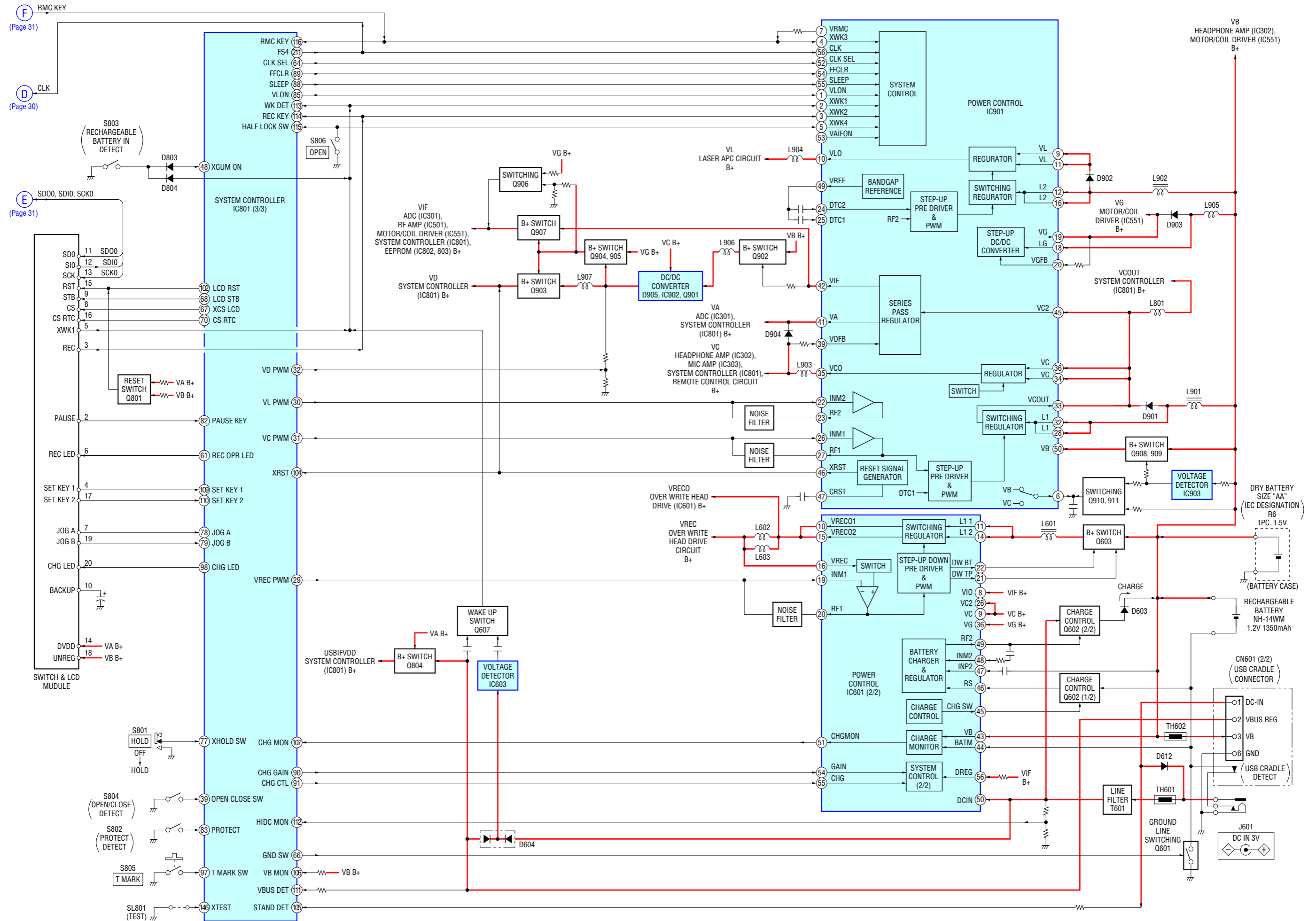
6-1. BLOCK DIAGRAM – SERVO/USB Section –



6-2. BLOCK DIAGRAM – AUDIO Section –



6-3. BLOCK DIAGRAM – DISPLAY/KEY CONTROL/POWER SUPPLY Section –



6-4. NOTE FOR PRINTED WIRING BOARD AND SCHEMATIC DIAGRAMS

Note on Printed Wiring Board:

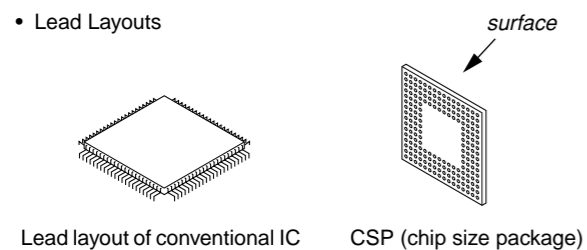
- : parts extracted from the component side.
- : parts extracted from the conductor side.
- : Pattern from the side which enables seeing.
(The other layers' patterns are not indicated.)

Caution:
 Pattern face side: Parts on the pattern face side seen from the pattern face are indicated.
 (Conductor Side)
 Parts face side: Parts on the parts face side seen from the parts face are indicated.
 (Component Side)

- MAIN board is four-layer printed board. However, the patterns of layers 2 and 3 have not been included in this diagrams.

* Replacement of IC801 used in this set requires a special tool.

Lead Layouts



Note on Schematic Diagram:


- All capacitors are in μF unless otherwise noted. pF: $\mu\mu\text{F}$ 50 WV or less are not indicated except for electrolytics and tantalums.
- All resistors are in Ω and $1/4\text{W}$ or less unless otherwise specified.
- % : indicates tolerance.
- : panel designation.

Note: The components identified by mark \triangle or dotted line with mark \triangle are critical for safety. Replace only with part number specified.

- : B+ Line.
- Total current is measured with MD installed.
- Power voltage is dc 3 V and fed with regulated dc power supply from DC IN 3 V jack (J601).
- Voltages and waveforms are dc with respect to ground in playback mode.
 no mark : PLAYBACK
 () : REC
 << >> : USB
 * : Impossible to measure
- Voltages are taken with a VOM (Input impedance 10 M Ω). Voltage variations may be noted due to normal production tolerances.
- Waveforms are taken with a oscilloscope. Voltage variations may be noted due to normal production tolerances.
- Circled numbers refer to waveforms.
- Signal path.
 Σ : PLAYBACK
 \blacktriangleright : REC (ANALOG IN)
 $\blacktriangleright\blacktriangleright$: REC (DIGITAL IN)
 \square : USB CHECK OUT

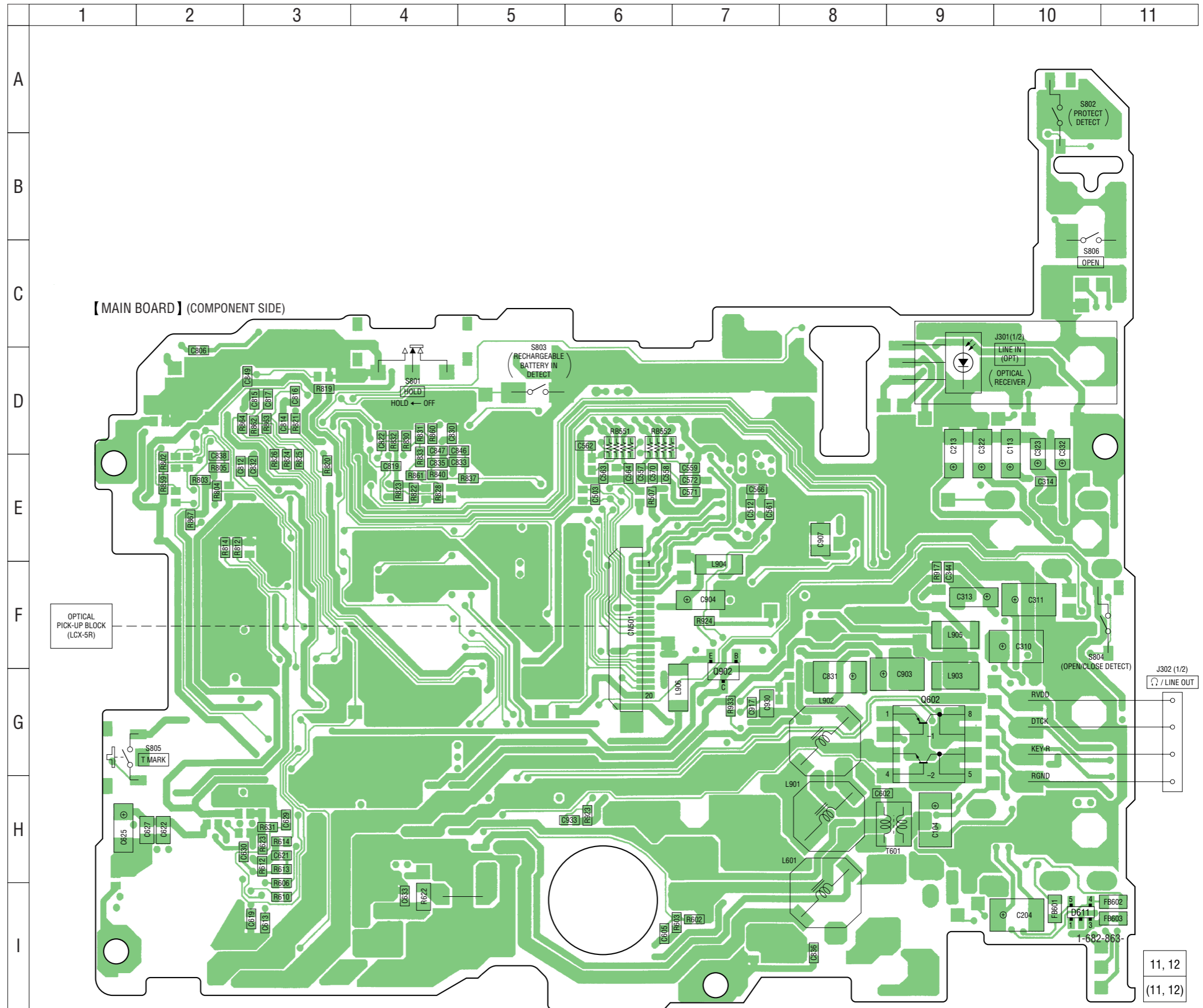
* Replacement of IC801 used in this set requires a special tool.


- The voltage and waveform of CSP (chip size package) cannot be measured, because its lead layout is different form that of conventional IC.

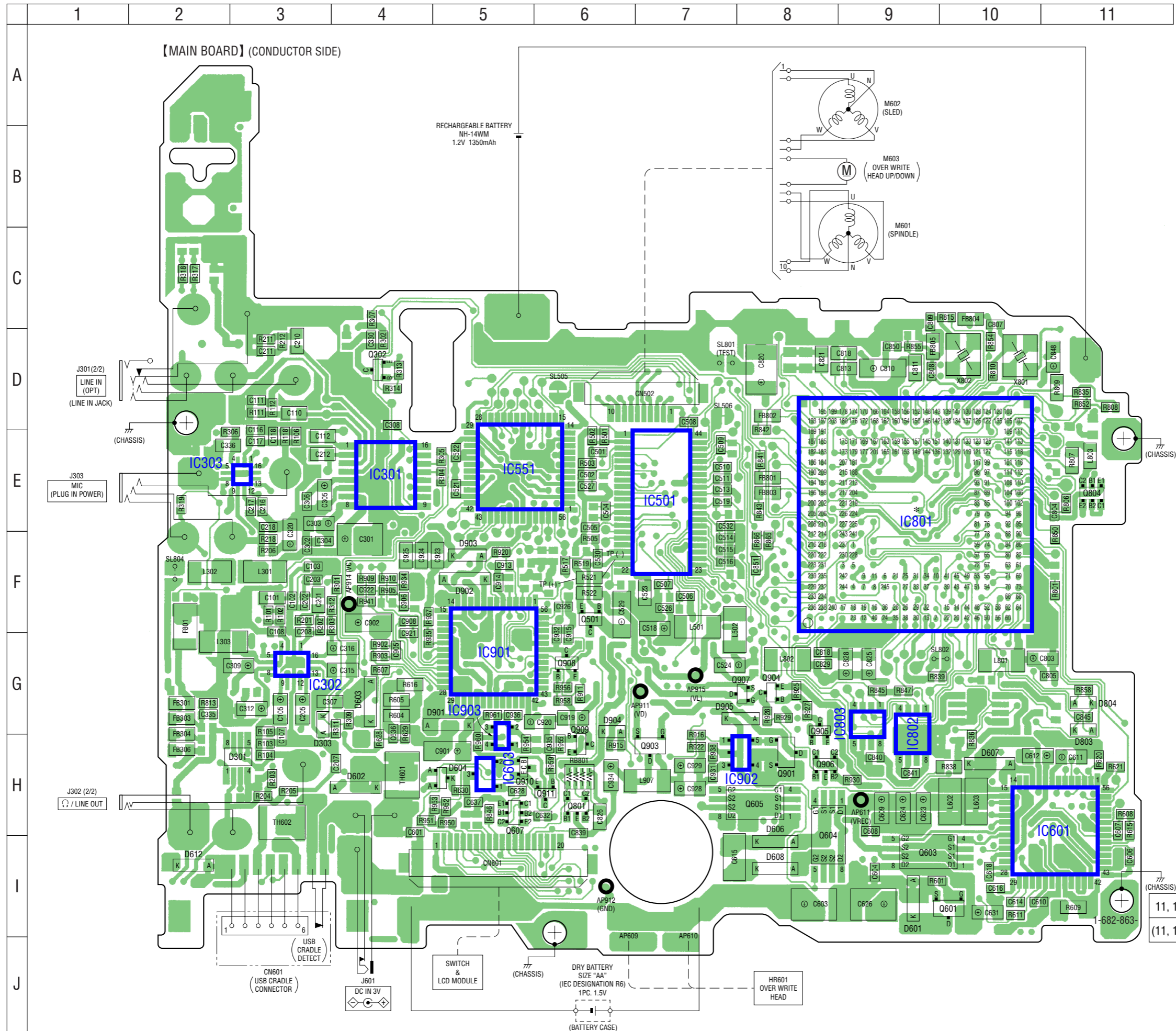
6-5. PRINTED WIRING BOARD – MAIN board (Component Side) –  :Uses unleaded solder.

• Semiconductor Location

Ref. No.	Location
D611	I-10
Q602	G-9
Q902	G-7



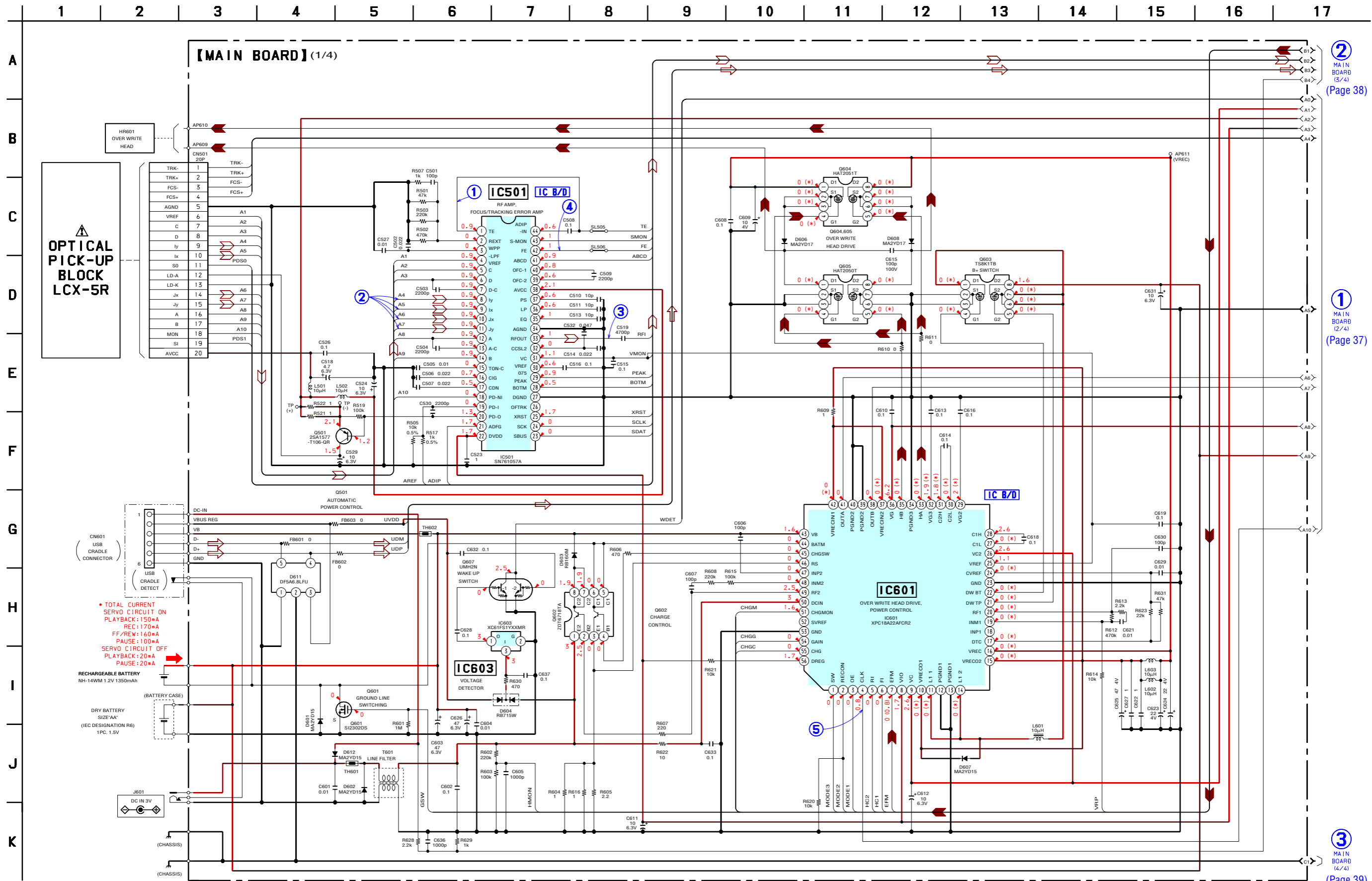
6-6. PRINTED WIRING BOARD – MAIN board (Conductor Side) –  : Uses unleaded solder.



• Semiconductor Location

Ref. No.	Location
D301	H-3
D303	G-3
D601	I-9
D602	H-4
D603	G-4
D604	H-5
D606	I-8
D607	H-10
D608	I-8
D612	I-2
D803	G-11
D804	G-11
D901	G-5
D902	F-5
D903	F-5
D904	G-6
D905	G-8
IC301	E-4
IC302	G-3
IC303	E-3
IC501	E-7
IC551	E-5
IC601	H-11
IC603	H-5
IC801	E-9
IC802	G-9
IC803	G-9
IC901	G-5
IC902	H-8
IC903	H-5
Q302	D-4
Q501	F-6
Q601	I-10
Q603	I-9
Q604	H-8
Q605	H-8
Q607	H-5
Q801	H-6
Q804	E-11
Q901	H-8
Q903	H-7
Q904	G-8
Q905	G-8
Q906	H-8
Q907	G-8
Q908	G-6
Q909	H-6
Q910	H-5
Q911	H-6

6-7. SCHEMATIC DIAGRAM – MAIN Board (1/4) – • See page 40 for Waveforms. • See page 41 for IC Block Diagrams.



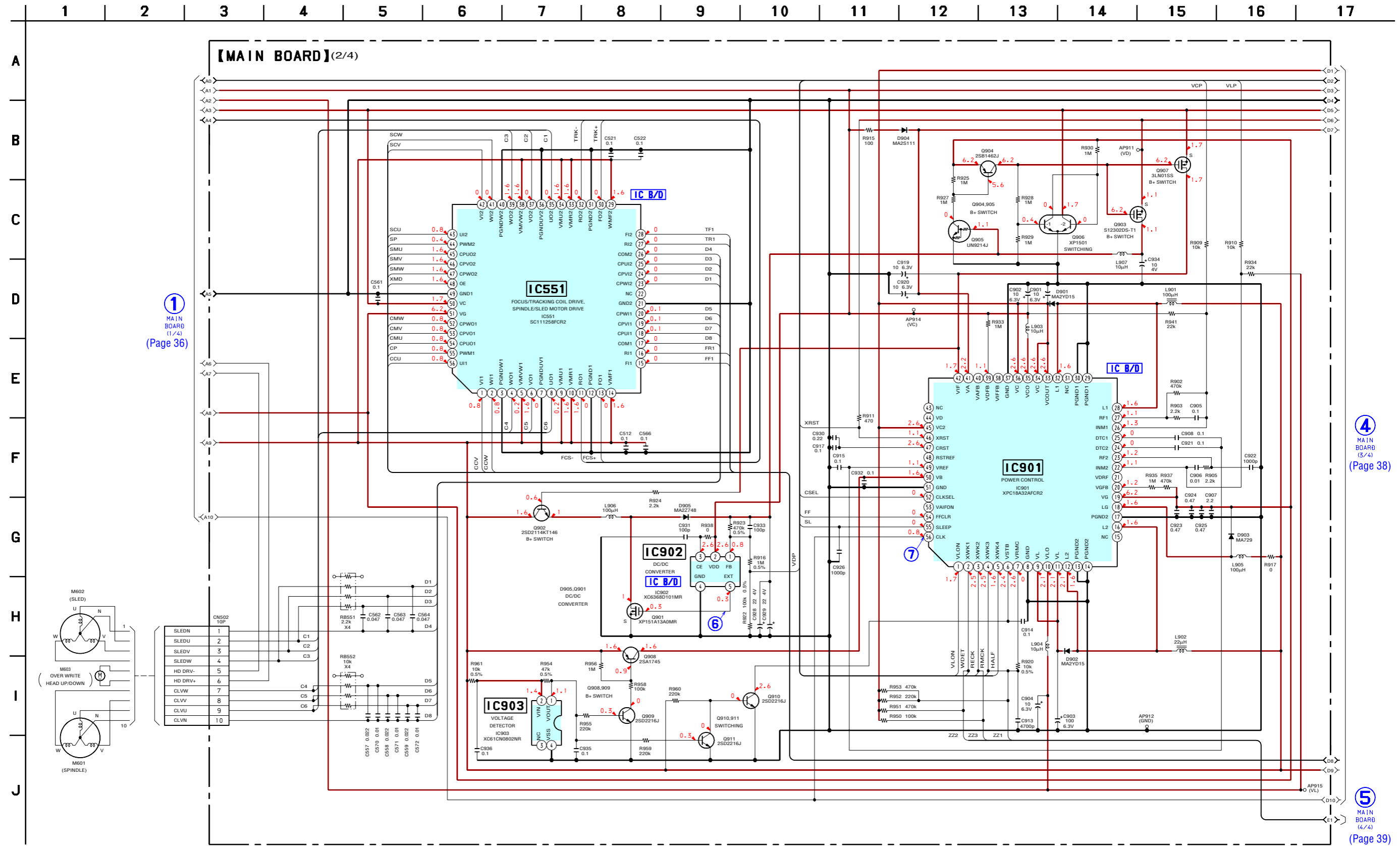
② MAIN BOARD (3/4) (Page 38)

① MAIN BOARD (2/4) (Page 37)

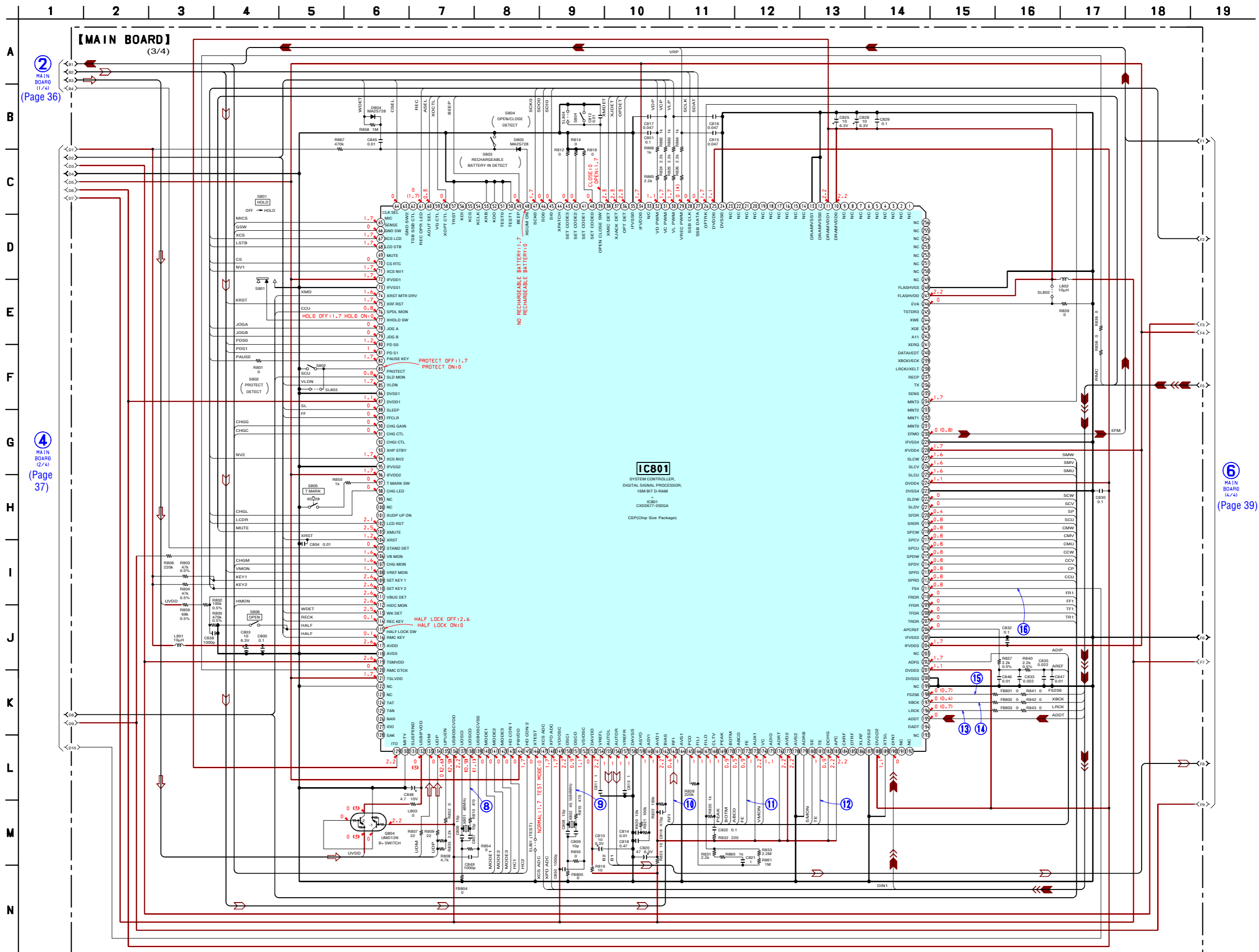
③ MAIN BOARD (4/4) (Page 39)

The components identified by mark Δ or dotted line with mark Δ are critical for safety. Replace only with part number specified.

6-8. SCHEMATIC DIAGRAM – MAIN Board (2/4) – • See page 40 for Waveforms. • See page 41 for IC Block Diagrams.



6-9. SCHEMATIC DIAGRAM – MAIN Board (3/4) – • See page 40 for Waveforms.

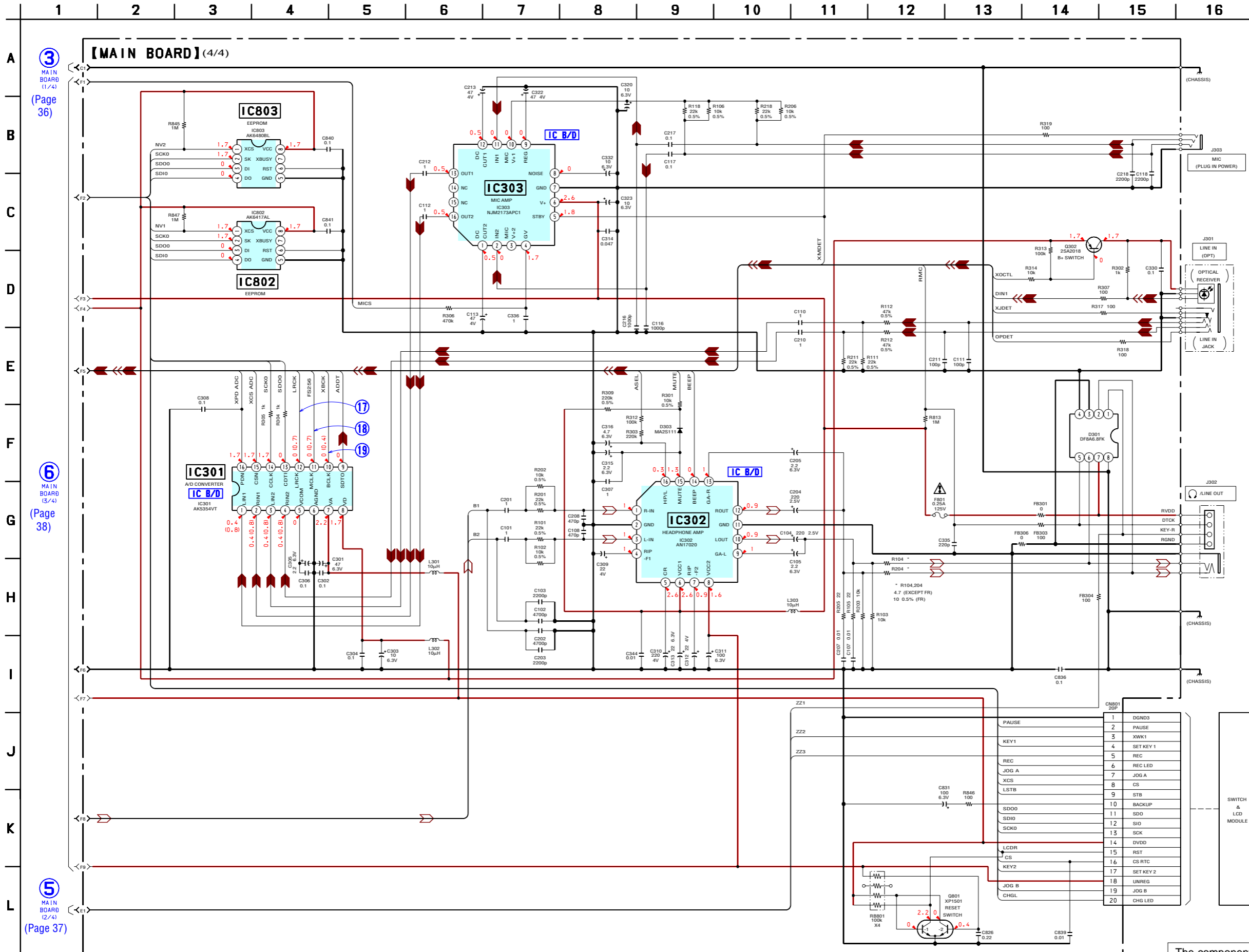


2 MAIN BOARD (1/4) (Page 36)

4 MAIN BOARD (2/4) (Page 37)

6 MAIN BOARD (4/4) (Page 39)

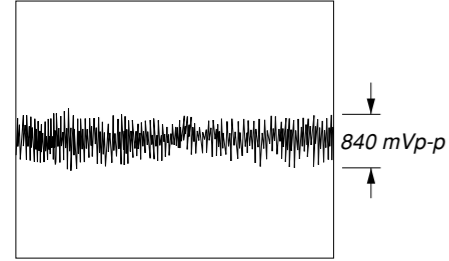
6-10. SCHEMATIC DIAGRAM – MAIN Board (4/4) – • See page 40 for Waveforms. • See page 41 for IC Block Diagrams.



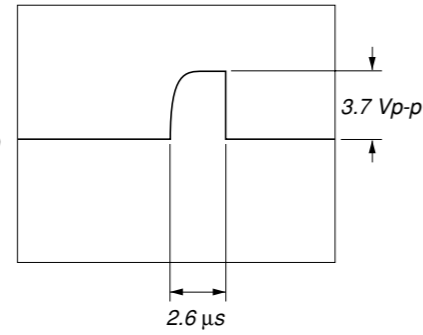
The components identified by mark Δ or dotted line with mark Δ are critical for safety. Replace only with part number specified.

• Waveforms

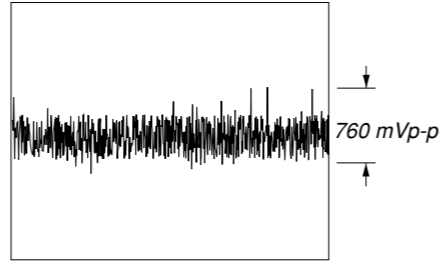
1 IC501 ① (TE)



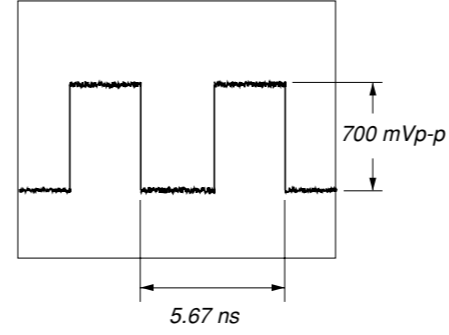
6 IC902 ⑤ (EXT)



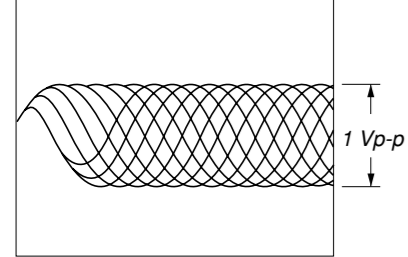
11 IC801 ⑩ (FE)



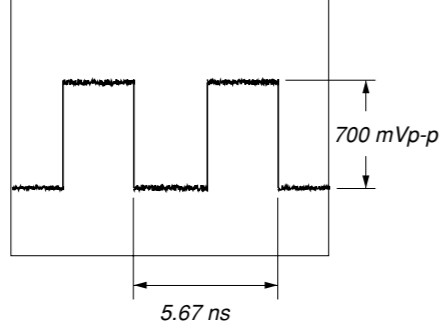
16 IC801 ⑪ (FS4)



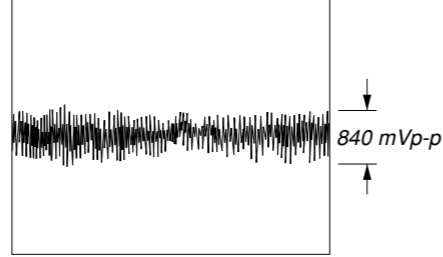
2 IC501 ⑧, ⑨, ⑩, ⑪ (IY, IX, JX, JY)



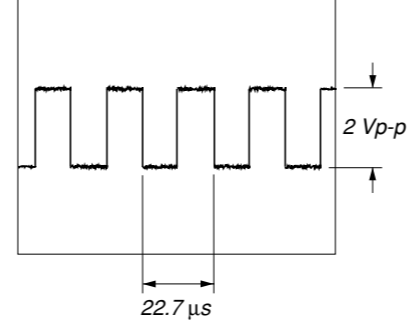
7 IC901 ⑥ (CLK)



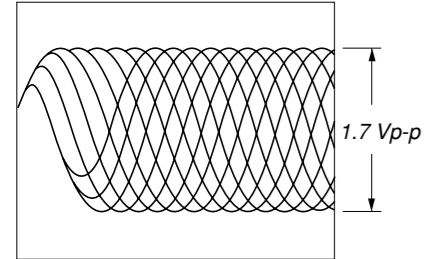
12 IC801 ⑬ (TE)



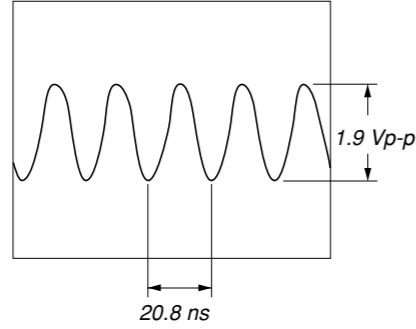
17 IC301 ⑫ (LRCK) (REC mode)



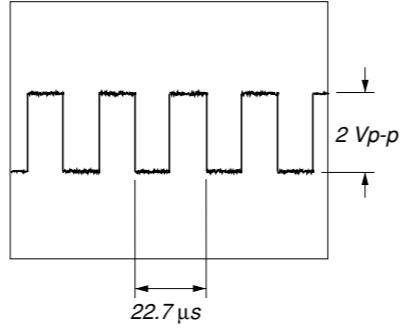
3 IC501 ⑬ (RF OUT)



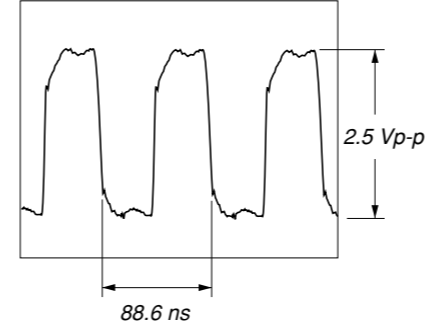
8 IC801 ⑭ (UOSCO) (USB mode)



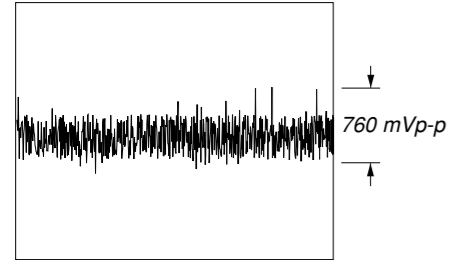
15 IC801 ⑮ (LRCK) (REC mode)



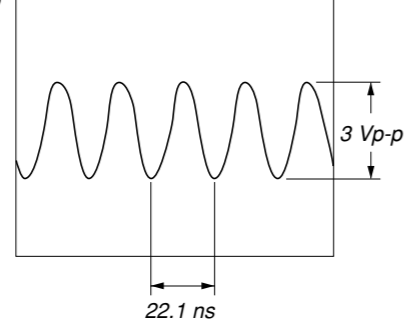
18 IC301 ⑬ (MCLK) (REC mode)



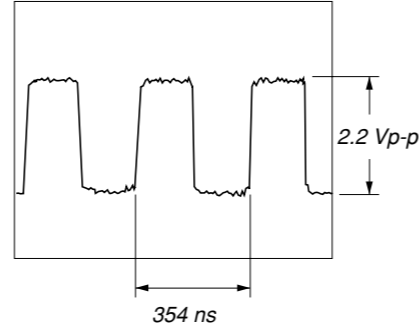
4 IC501 ⑭ (FE)



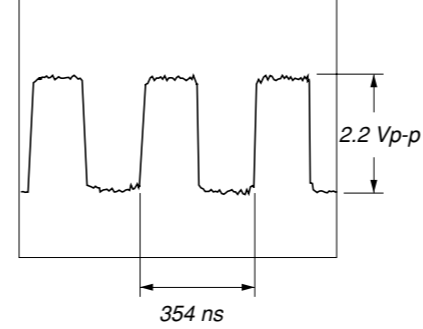
9 IC801 ⑯ (OSCO)



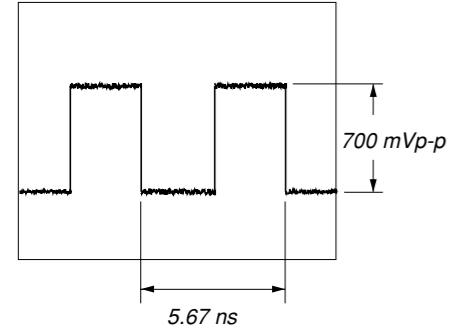
14 IC801 ⑰ (XBCK) (REC mode)



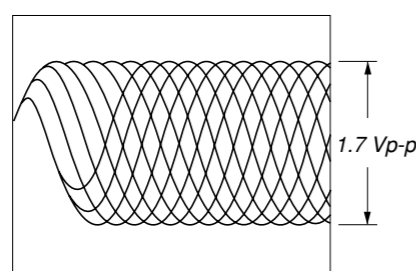
19 IC301 ⑭ (BCLK) (REC mode)



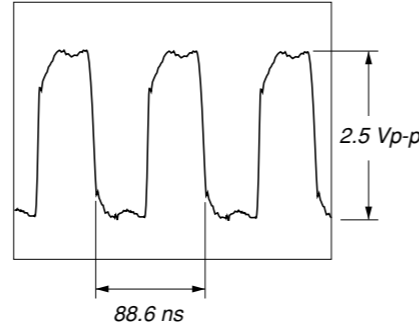
5 IC601 ④ (CLK)



10 IC801 ⑰ (RFI)

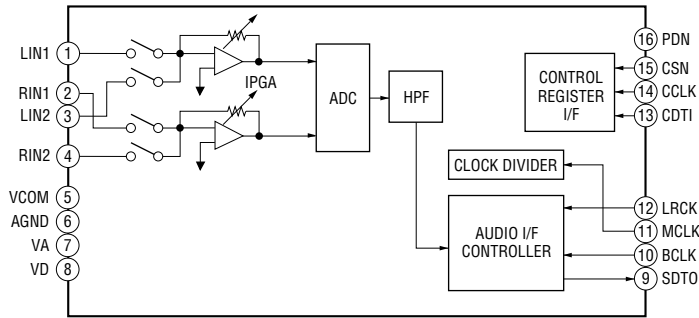


15 IC801 ⑱ (FS256) (REC mode)

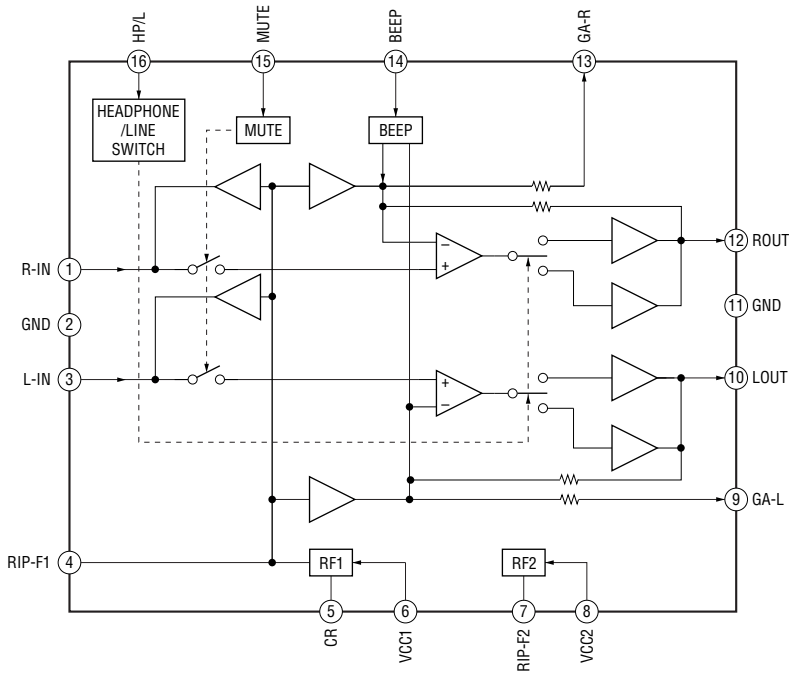


• IC Block Diagrams

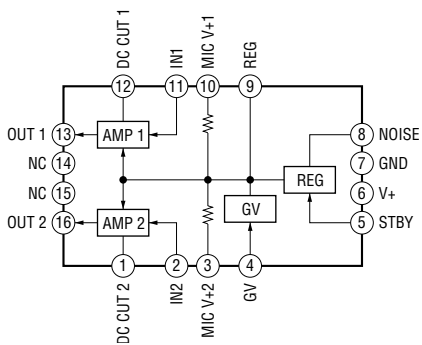
IC301 AK5354VT-E2



IC302 AN17020A-VB

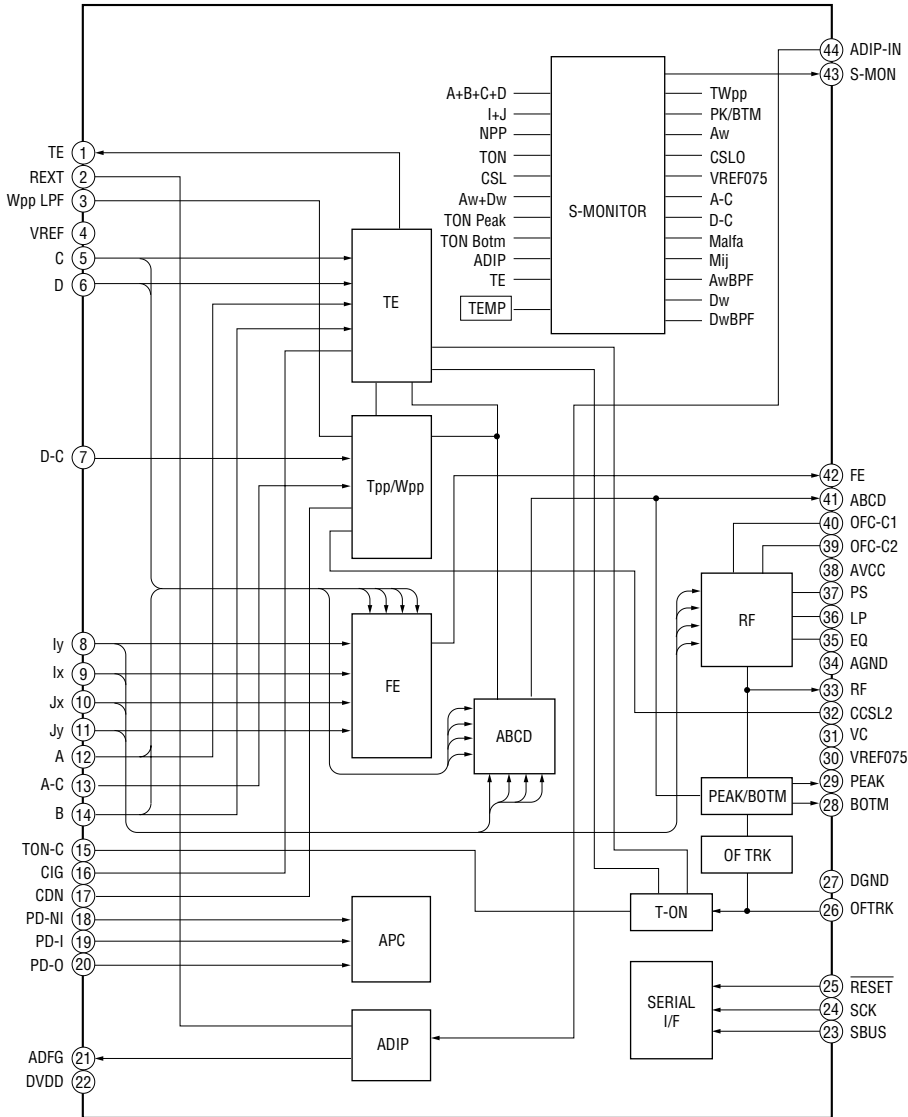


IC303 NJM2173APC1 (TE2)

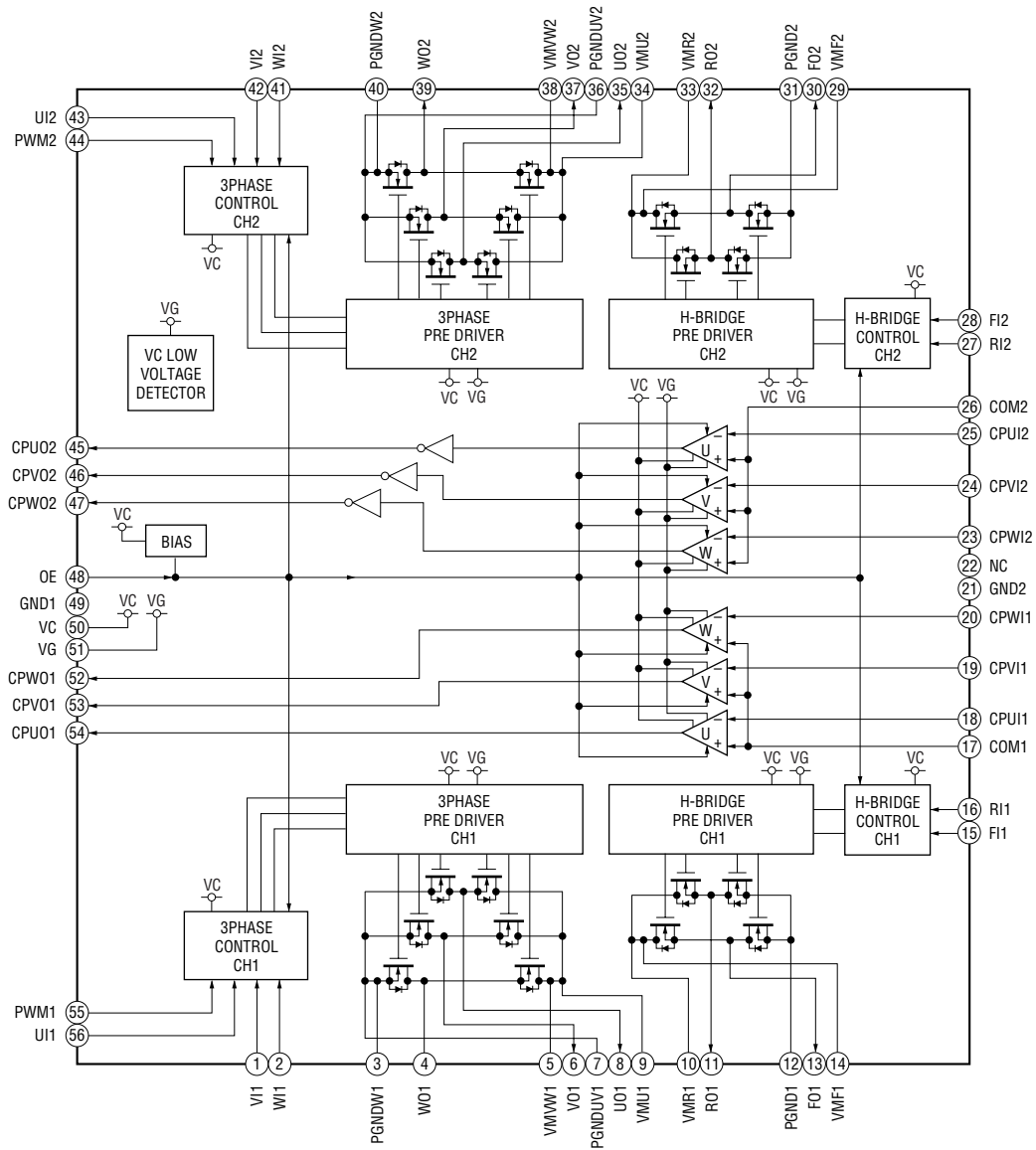


MZ-N1

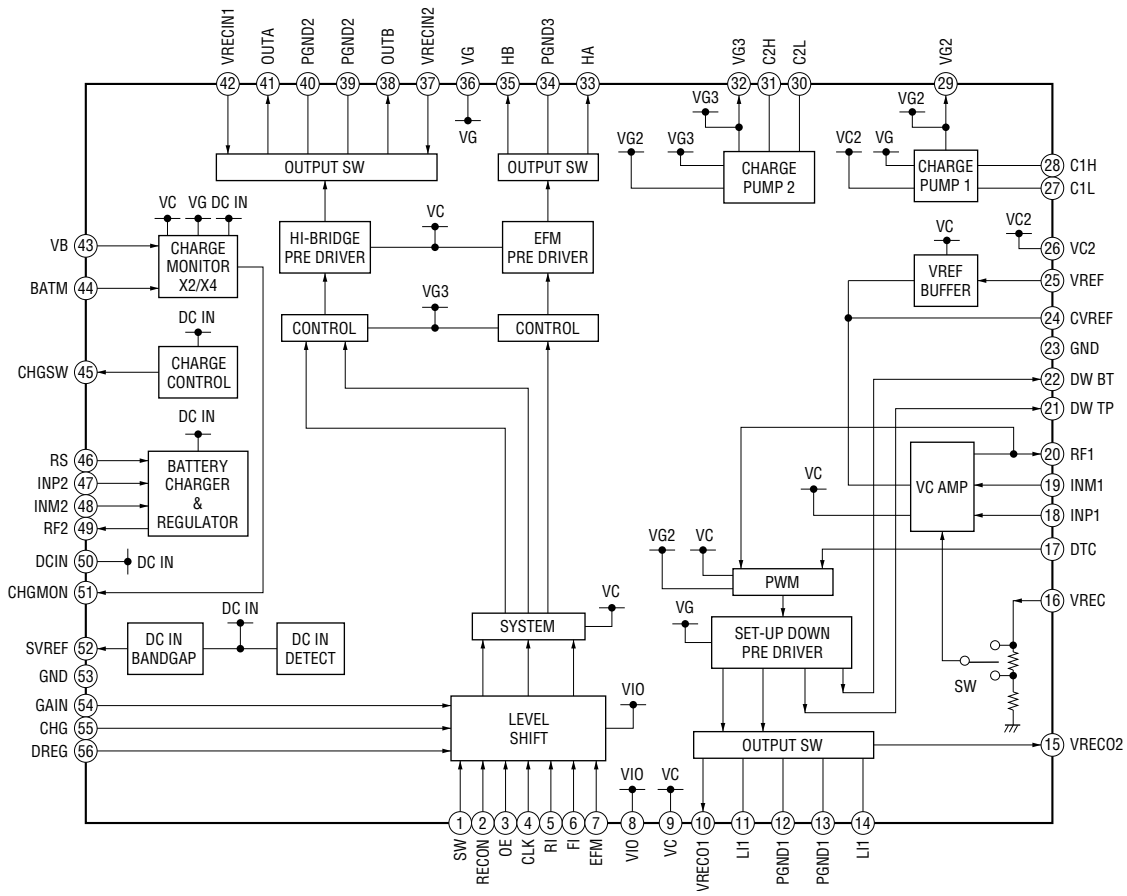
IC501 SN761057A



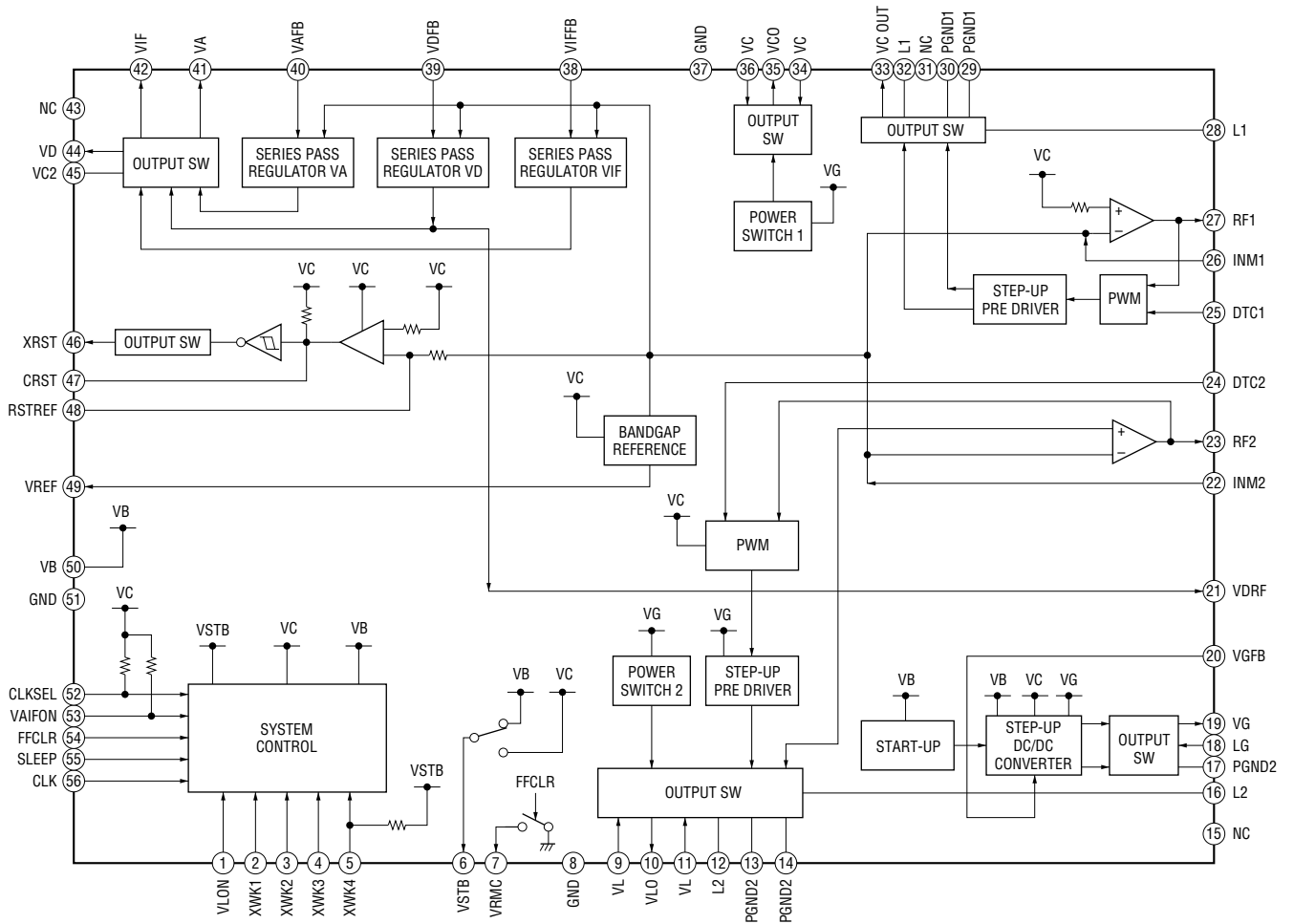
IC551 SC111258FCR2



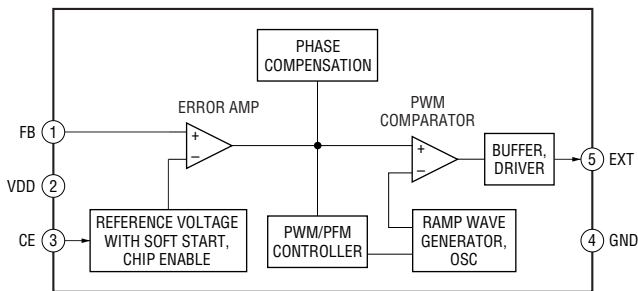
IC601 XPC18A22AFCR2



IC901 XPC18A32AFCR2



IC902 XC6368D101MR



6-11. IC PIN FUNCTION DESCRIPTION

• IC501 SN761057A (RF AMP, FOCUS/TRACKING ERROR AMP)

Pin No.	Pin Name	I/O	Description
1	TE	O	Tracking error signal output to the system controller
2	REXT	—	Connect terminal to the external resistor for the ADIP amplifier control
3	WPP-LPF	—	Connect terminal to the external capacitor for the TPP/WPP low-pass filter
4	VREF	O	Reference voltage output terminal
5	C	I	Signal (C) input from the optical pickup detector
6	D	I	Signal (D) input from the optical pickup detector
7	D-C	I	Signal (D) input from the optical pickup detector (AC input)
8	IY	I	I-V converted RF signal (IY) input from the optical pickup detector
9	IX	I	I-V converted RF signal (IX) input from the optical pickup detector
10	JX	I	I-V converted RF signal (JX) input from the optical pickup detector
11	JY	I	I-V converted RF signal (JY) input from the optical pickup detector
12	A	I	Signal (A) input from the optical pickup detector
13	A-C	I	Signal (A) input from the optical pickup detector (AC input)
14	B	I	Signal (B) input from the optical pickup detector
15	TON-C	—	Connect terminal to the external capacitor for TON hold
16	CIG	—	Connect terminal to the external capacitor for the low-pass filter of NPP divider denominator
17	CDN	—	Connect terminal to the external capacitor for the low-pass filter of CSL divider denominator
18	PD-NI	I	Light amount monitor input terminal (non-invert input)
19	PD-I	I	Reference PWM signal input for the laser automatic power control from the system controller
20	PD-O	O	Light amount monitor output terminal
21	ADFG	O	ADIP duplex FM signal (22.05kHz \pm 1kHz) output to the system controller
22	DVDD	—	Power supply terminal (+1.7V) (digital system)
23	SBUS	I/O	SSB serial data input/output with the system controller
24	SCK	I	SSB serial clock signal input from the system controller
25	XRST	I	Reset signal input from the system controller "L": reset
26	OFTRK	I	Off track signal input terminal Not used
27	DGND	—	Ground terminal (digital system)
28	BOTM	O	Bottom hold signal output of the light amount signal (RF/ABCD) to the system controller
29	PEAK	O	Peak hold signal output of the light amount signal (RF/ABCD) to the system controller
30	VREF075	—	Connect terminal to the external capacitor for the internal reference voltage
31	VC	O	Middle point voltage (+1.1V) generation output terminal
32	CCSL2	—	Connect terminal to the external capacitor for the TPP/WPP low-pass filter
33	RF OUT	O	Playback EFM RF signal output to the system controller
34	AGND	—	Ground terminal (analog system)
35 to 37	EQ, LP, PS	—	Connect terminal to the external capacitor for the RF equalizer
38	AVCC	—	Power supply terminal (+2.1V) (analog system)
39, 40	OFC-2, OFC-1	—	Connect terminal to the external capacitor for the RF AC coupling
41	ABCD	O	Light amount signal (ABCD) output to the system controller
42	FE	O	Focus error signal output to the system controller
43	S-MON	O	Servo signal monitor output to the system controller
44	ADIP-IN	I	ADIP duplex FM signal (22.05kHz \pm 1kHz) input terminal Not used

• IC801 CXD2677-202GA (SYSTEM CONTROLLER, DIGITAL SIGNAL PROCESSOR, 16M BIT D-RAM)

Pin No.	Pin Name	I/O	Description
1	NC	O	Load address strobe signal output terminal for D-RAM Not used
2	NC	I	Test input terminal for D-RAM Not used
3 to 7	NC	O	Address signal output terminal for D-RAM Not used
8, 9	NC	I/O	Two-way data bus terminal for D-RAM Not used
10, 11	DRAMVDD0, 1	—	Power supply terminal (for D-RAM) (+2.2V)
12, 13	DRAMVSS0, 1	—	Ground terminal (for D-RAM)
14, 15	NC	I/O	Two-way data bus terminal for D-RAM Not used
16 to 19	NC	O	Address signal output terminal for D-RAM Not used
20	NC	O	Column address strobe signal output terminal for D-RAM Not used
21	NC	I	Test input terminal for D-RAM Not used
22, 23	NC	O	Address signal output terminal for D-RAM Not used
24	DVSS0	—	Ground terminal (for the DSP block)
25	DVDD0	—	Power supply terminal (for the DSP block) (+1.1V)
26	OFTRK	I	Off track signal input from the DSP monitor (3)
27	SSB DATA	I/O	SSB data input/output with the RF amplifier
28	SSB CLK	O	SSB clock output to the RF amplifier
29	VREC PWM	O	PWM signal output for the Over write head drive power supply voltage control to the power control
30	VL PWM	O	PWM signal output for the laser power supply voltage control to the power control
31	VC PWM	O	PWM signal output for the system power supply voltage control to the power control
32	VD PWM	O	VD power supply voltage control signal output to the DC/DC converter
33	NC	—	Not used
34	IFVDD0	—	Power supply terminal (for the microcomputer I/F block) (+1.7V)
35	IFVSS0	—	Ground terminal (for the microcomputer I/F block)
36	OPT DET	I	DIN plug detection signal input terminal “H”: DIN plug detect
37	XJACK DET	I	LINE IN plug detection signal input terminal “L”: LINE or OPT plug detect
38	XMIC DET	I	Microphone plug detection signal input terminal “L”: microphone plug detect
39	OPEN CLOSE SW	I	Open/close detection switch of the upper panel input terminal “L”: when upper panel close
40	SET CODE0	I	Input terminal for the set (fixed at “L” in this set)
41	SET CODE1	I	Input terminal for the set (open in this set)
42, 43	SET CODE1, 2	I	Input terminal for the set (fixed at “L” in this set)
44	XPATCH	I	Patch function detection terminal “L”: patch function Not used
45	SI0	I	Serial data input from the nonvolatile memory and liquid crystal display element module
46	SO0	O	Serial data output to the nonvolatile memory, A/D converter and liquid crystal display element module
47	SCK0	O	Serial clock signal output to the nonvolatile memory, A/D converter and liquid crystal display element module
48	XGUM ON	I	Rechargeable battery detection switch input terminal “L”: rechargeable battery in detect
49	BEEP	O	Beep sound control signal output to the headphone amplifier
50, 51	TEST1, TEST0	I	Input terminal for the main test (normally fixed at “L”)
52	KDO	O	Data output terminal Not used
53	KRB	I	Ready/busy signal input terminal Not used
54	KCLK	O	Clock signal output terminal Not used
55	KCS	O	Chip select signal output terminal Not used

Pin No.	Pin Name	I/O	Description
56	KDI	I	Data input terminal Not used
57	TRST	I	Setting terminal for the test mode (normally fixed at "L")
58	XOPT CTL	O	Power supply ON/OFF control signal output for the DIN PD drive
59	VG CTL	O	VG power supply voltage control signal output terminal Not used
60	AOUT SEL	O	HP/LINE changeover signal output to the headphone amplifier
61	REC OPR LED	O	LED ON/OFF control signal output for the REC display
62	TSB SSB CTL	O	TSB/SSB changeover control signal output terminal Not used
63	GND SW2	O	Battery for Cradle ON/OFF switch control signal output terminal Not used
64	CLK SEL	O	System clock select signal output to the power control
65	MIC SENSE	O	Mic sensitivity control signal output to the mic amplifier "L": Low sensitivity "H": High sensitivity (normally: "H")
66	GND SW	O	GND changeover control signal output terminal
67	XCS LCD	O	Chip select signal output to the liquid crystal display element module
68	LCD STB	O	Strobe signal output to the liquid crystal display element module
69	MUTE	O	Analog muting control signal output "H": muting ON Not used
70	CS RTC	O	Chip select signal output to the clock IC
71	XCS NV1	O	Chip select signal (1) output to the nonvolatile memory
72	IFVDD1	—	Power supply terminal (for the microcomputer I/F block) (+1.7V)
73	IFVSS1	—	Ground terminal (for the microcomputer I/F block)
74	XRST MTR DRV	O	Reset control signal output to the motor driver "L": reset
75	XRF RST	O	Reset control signal output to the RF amplifier "L": reset
76	SPDL MON	I	Spindle servo monitor signal input
77	XHOLD SW	I	HOLD switch input terminal "L": hold ON
78, 79	JOG A, B	I	Jog dial pulse input terminal from the switch & liquid crystal display element module
80, 81	PD S0, PD S1	O	PD IC mode changeover signal output to the optical pick up
82	PAUSE KEY	I	Pause key input terminal from the switch & liquid crystal display element module
83	PROTECT	I	Detection input terminal of the record check claw from the protect detection switch "H": protect
84	SLD MON	I	Sled servo monitor signal input terminal
85	VLON	O	Power supply control signal output for the laser diode drive to the power control
86	DVSS1	—	Ground terminal (for the DSP block)
87	DVDD1	—	Power supply terminal (for the DSP block) (+1.1V)
88	SLEEP	O	System sleep control signal output to the power control "H": sleep ON
89	FFCLR	O	Input latch output for the start switching to the power control
90	CHG GAIN	O	Charge gain control signal output to the power control
91	CHG CTL	O	Charge ON/OFF control signal output to the power control "H": charge ON
92	CHGI CTL	O	Charge current control signal output terminal Not used
93	XHP STBY	O	Power supply control signal output terminal Not used
94	XCS NV2	O	Chip select signal (2) output to the nonvolatile memory
95	IFVSS2	—	Ground terminal (for the microcomputer I/F block)
96	IFVDD2	—	Power supply terminal (for the microcomputer I/F block) (+1.7V)
97	T MARK SW	I	T MARK (track mark) switch input terminal "L": track mark detection
98	CHG LED	O	LED ON/OFF control signal output for CHG (charge display) from the switch & liquid crystal display element module
99	NC	I	Initial switch detection input terminal Not used
100	NC	—	Not used

Pin No.	Pin Name	I/O	Description
101	XUDP UP ON	O	Pull-up resistor changeover control signal output of USB data (+) output terminal Not used
102	LCD RST	O	Reset control signal output to the liquid crystal display element module "L": reset
103	XMUTE	O	Analog muting control signal output to the headphone amplifier "L": muting ON
104	XRST	I	System reset signal input from the power control "L": reset
105	STAND DET	I	USB cradle detection signal input terminal
106	VB MON	I	Voltage monitor input terminal (A/D input) of the UNREG power supply
107	CHG MON	I	Charge voltage monitor input (A/D input) from the power control
108	VREF MON	I	Clear reference voltage monitor input (A/D input) from the RF amplifier
109, 110	SET KEY 1, 2	I	Key input terminal (A/D input) from the switch & liquid crystal display element module
111	VBUS DET	I	USB power supply voltage detection terminal
112	HIDC MON	I	HIGH DC voltage monitor input terminal (A/D input)
113	WK DET	I	Set key and USB start switching detection signal input terminal (A/D input)
114	REC KEY	I	REC key input terminal (A/D input)
115	HALF LOCK SW	I	Open button detection switch input terminal (A/D input) Input "L" when the open button is pressed. Input "H" in other cases.
116	RMC KEY	I	Key input terminal (A/D input) from the remote commander attached headphone
117	AVDD	—	Power supply terminal (for the microcomputer analog) (+2.6V)
118	AVSS	—	Ground terminal (for the microcomputer analog)
119	TSMVDD	—	Power supply terminal (for the TSB master communication) (+2.6V)
120	RMC DTCK	I/O	Serial data input/output with the remote commander attached headphone
121	TSLVDD	—	Power supply terminal (for the I/F to TSB slave) (+1.7V)
122, 123	NC	—	Not used
124	TAT	—	Not used
125	TAN	—	Not used
126	NAR	—	Not used
127	ID0	—	Not used
128	SAK	—	Not used
129	IT0	—	Not used
130	MITY	—	Not used
131	SUSPEND	O	USB suspend signal output terminal Not used
132	USBIFVDD	—	Power supply terminal (for USB I/F) (+3V)
133	UDM	I	USB data (-) input terminal
134	UDP	I	USB data (+) input terminal
135	UPUEN	O	USB pull-up resistor connection control output terminal
136	USBOSCVDD	—	Power supply terminal (for the USB oscillation circuit) (+2.2V)
137	UOSCI	I	Clock (48MHz) input terminal for the USB
138	UOSCO	O	Clock (48MHz) output terminal for the USB
139	USBOSCVSS	—	Ground terminal (for the USB oscillation circuit)
140 to 142	MODE1 to 3	O	Power supply control signal output for the over write head to the over write head drive
143	HD CON 1	O	Over write head control signal output to the over write head drive
144	PBVDD	—	Power supply terminal (+1.7V)
145	HD CON 2	O	Over write head control signal output to the over write head drive
146	XTEST	I	Terminal for test mode set (normally: open) "L": test mode
147	XCS ADA	O	Chip select signal output to the A/D converter
148	XPD ADA	O	Power supply control signal output for the drive to the A/D converter

Pin No.	Pin Name	I/O	Description
149	VDIOSC	—	Power supply terminal (for the OSC cell) (+2.2V)
150	OSCI	I	System clock (45.1584MHz) input terminal
151	OSCO	O	System clock (45.1584MHz) output terminal
152	VSIOSC	I	Ground terminal (for the OSC cell)
153	DAVDD	—	Power supply terminal (for the built-in D/A converter) (+2.2V)
154	VREFL	I	Reference voltage input terminal (for the built-in D/A converter L-CH)
155	AOUTL	O	Built-in D/A converter (L-CH) output terminal
156	AOUTR	O	Built-in D/A converter (R-CH) output terminal
157	VREFR	I	Reference voltage input terminal (for the built-in D/A converter R-CH)
158	DAVSS	—	Ground terminal (for the built-in D/A converter)
159	ASYO	O	Playback EFM duplex signal output terminal
160	ASYI	I	Playback EFM comparison slice level input terminal
161	AVD1	—	Power supply terminal (for the DSP asymmetry system analog) (+2.2V)
162	BIAS	I	Bias current input terminal for the playback EFM comparison
163	RFI	I	Playback EFM the RF signal input from the RF amplifier
164	AVS1	—	Ground terminal (for the DSP asymmetry system analog)
165	PCO	O	Phase comparison output terminal for the playback EFM system master PLL
166	FILI	I	Filter input terminal for the playback EFM system master PLL
167	FILO	O	Filter output terminal for the playback EFM system master PLL
168	CLTV	I	Internal VCO control voltage input terminal for the playback EFM system master PLL
169	PEAK	I	Peak hold signal input of the light amount signal (RF/ABCD) from the RF amplifier
170	BOTM	I	Bottom hold signal input of the light amount signal (RF/ABCD) from the RF amplifier
171	ABCD	I	Light amount signal (ABCD) input from the RF amplifier
172	FE	I	Focus error signal input from the Focus error amplifier
173	AUX1	I	Support signal (I ₃ signal/temperature signal) input terminal (A/D input)
174	VC	I	Middle point voltage (+1.1V) input terminal
175	ADIO	O	Monitor output terminal of A/D converter input signal Not used
176	ADRT	I	A/D converter the upper limit voltage input terminal (fixed at “H” in this set)
177	AVD2	—	Power supply terminal (for the DSP servo analog system) (+2.2V)
178	AVS2	—	Ground terminal (for the DSP servo analog system)
179	ADRB	I	A/D converter the lower limit voltage input terminal (fixed at “L” in this set)
180	SE	I	Servo signal monitor input terminal (A/D input) from the RF amplifier
181	TE	I	Tracking error signal input from the Tracking error amplifier
182	DCHG	—	Connecting terminal with the analog power supply of the low impedance (fixed at “H” in this set)
183	APC	I	Error signal input for the laser automatic power control (fixed at “H” in this set)
184	CKRF	O	Clock output terminal for the RF amplifier control Not used
185	DTRF	O	Data output terminal for the RF amplifier control Not used
186	XLRF	O	Latch signal output terminal for the RF amplifier control Not used
187	DVSS2	—	Ground terminal (for the DSP block)
188	DVDD2	—	Power supply terminal (for the DSP block) (+1.1V)
189	XTSL	I	Input terminal for the frequency set up of the system clock “L”: 45.1584MHz, “H”: 22.5792MHz (fixed at “L” in this set)
190	DIN1	I	Input terminal of the record system digital audio signal
191 to 193	NC	O	D/A converter PWM signal output terminal Not used
194	DADT	O	Audio data output terminal Not used

Pin No.	Pin Name	I/O	Description
195	ADDT	I	Data input from the external A/D converter
196	LRCK	O	L/R sampling clock signal (44.1KHz) output to the external A/D converter
197	XBCK	O	Bit clock signal (2.8224MHz) output to the external A/D converter
198	FS256	O	11.2896MHz clock signal output to the external A/D converter
199	NC	I	Clock signal input from the external VCO Not used
200	DVSS3	—	Ground terminal (for the DSP block)
201	DVDD3	—	Power supply terminal (for the DSP block) (+1.1V)
202	ADFG	I	ADIP duplex FM signal (20.05±1kHz) input from the RF amplifier
203	NC	O	Filter cut off control signal output terminal Not used
204	IFVDD3	—	Power supply terminal (for the microcomputer I/F block) (+1.7V)
205	IFVSS3	—	Ground terminal (for the microcomputer I/F block)
206	APCREF	O	Reference PWM signal output for the laser automatic power control to the RF amplifier
207	TRDR	O	Tracking servo drive PWM signal output (–) to the coil driver
208	TFDR	O	Tracking servo drive PWM signal output (+) to the coil driver
209	FFDR	O	Focus servo drive PWM signal output (+) to the coil driver
210	FRDR	O	Focus servo drive PWM signal output (–) to the coil driver
211	FS4	O	176.4kHz clock signal output to the power control
212	SPRD	O	Spindle motor drive control signal output (U) to the motor driver
213	SPFD	O	Spindle servo drive PWM signal output to the motor driver
214	SPDV	O	Spindle motor drive control signal output (V) to the motor driver
215	SPDW	O	Spindle motor drive control signal output (W) to the motor driver
216	SPCU	I	Spindle motor drive comparison signal input (U) from the motor driver
217	SPCV	I	Spindle motor drive comparison signal input (V) from the motor driver
218	SPCW	I	Spindle motor drive comparison signal input (W) from the motor driver
219	SRDR	O	Sled motor drive control signal output (U) to the motor driver
220	SFDR	O	Sled servo drive PWM signal output to the motor driver
221	SLDV	O	Sled motor drive control signal output (V) to the motor driver
222	SLDW	O	Sled motor drive control signal output (W) to the motor driver
223	DVSS4	—	Ground terminal (for the DSP block)
224	DVDD4	—	Power supply terminal (for the DSP block) (+1.1V)
225	SLCU	I	Sled motor drive comparison signal input (U) from the motor driver
226	SLCV	I	Sled motor drive comparison signal input (V) from the motor driver
227	SLCW	I	Sled motor drive comparison signal input (W) from the motor driver
228	IFVDD4	—	Power supply terminal (for the microcomputer I/F block) (+1.7V)
229	IFVSS4	—	Ground terminal (for the microcomputer I/F block)
230	EFMO	O	EFM encode data output for the record to the over write head drive
231 to 233	MNT0 to 2	O	DSP monitor (0) to (2) output terminal Not used
234	MNT3	O	Off track signal output from the DSP monitor (3)
235	SENSE	O	DSP internal status (DSP SENS monitor) signal output terminal Not used
236	TX	O	Record data output enable signal output monitor terminal of the DSP Not used
237	RECP	O	Laser power changeover signal output terminal Not used
238	LRCKI/XELT	I	Input terminal for the PCM data I/F/ ATRAC data I/F Not used
239	XBCKI/ECK	I	Input terminal for the PCM data I/F/ ATRAC data I/F Not used
240	DATAI/EDT	I	Input terminal for the PCM data I/F/ ATRAC data I/F Not used
241	XERQ	I	Input terminal for the ATRAC data I/F Not used

Pin No.	Pin Name	I/O	Description
242	A11	O	Address signal output terminal for D-RAM Not used
243	XOE	O	Output enable signal output terminal for D-RAM Not used
244	XWE	O	Data write enable signal output terminal for D-RAM Not used
245	TSTDR3	I	Test input terminal for D-RAM Not used
246	EVA	I	EVA/FLASH chip discrimination terminal “L”: FLASH chip, “H”: EVA chip (fixed at “L” in this set)
247	FLASHVDD	—	Power supply terminal (for the built-in flash memory) (+2.2V)
248	FLASHVSS	—	Ground terminal (for the built-in flash memory)
249 to 256	NC	—	Not used

**SECTION 7
EXPLODED VIEWS**

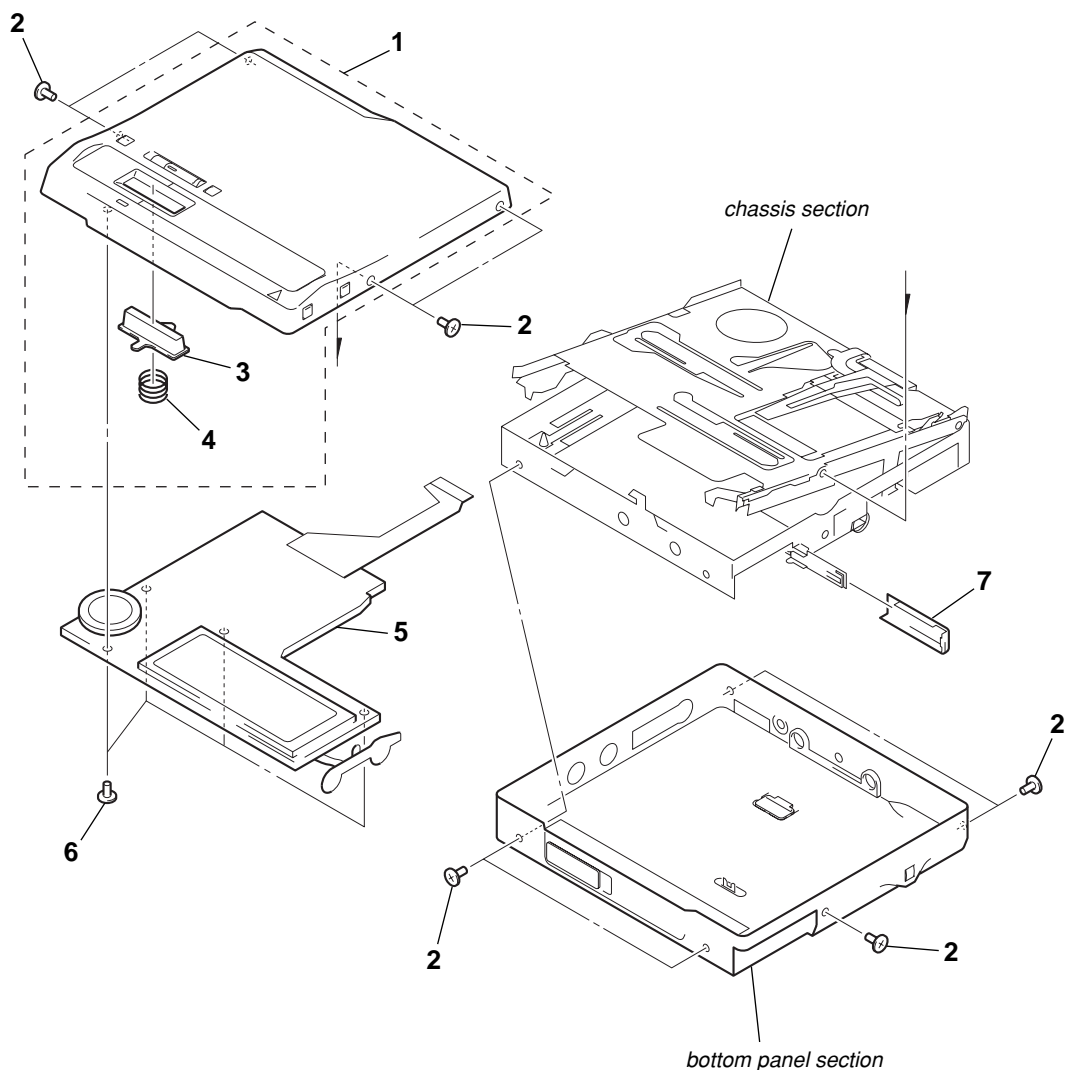
NOTE:

- -XX and -X mean standardized parts, so they may have some difference from the original one.
- Color Indication of Appearance Parts
Example:
KNOB, BALANCE (WHITE) . . . (RED)
 ↑ ↑
 Parts Color Cabinet's Color
- Abbreviation
FR : French model
HK : Hong Kong model
KR : Korean model

- Items marked "*" are not stocked since they are seldom required for routine service. Some delay should be anticipated when ordering these items.
- The mechanical parts with no reference number in the exploded views are not supplied.
- Accessories are given in the last of the electrical parts list.

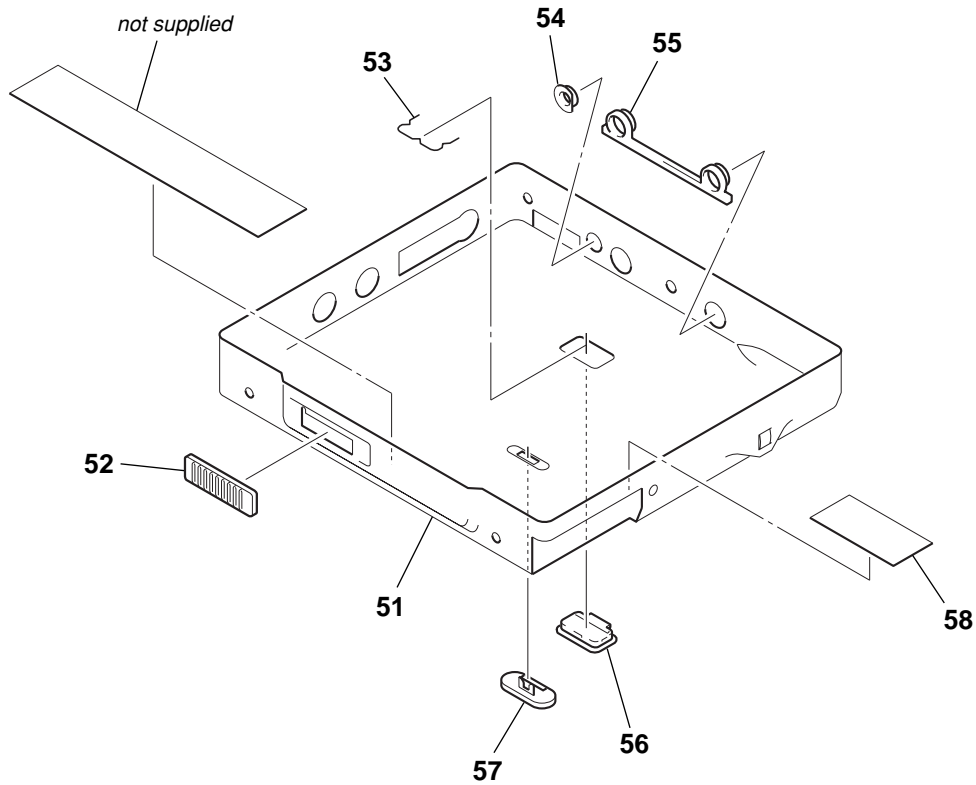
The components identified by mark Δ or dotted line with mark Δ are critical for safety. Replace only with part number specified.

7-1. UPPER PANEL SECTION



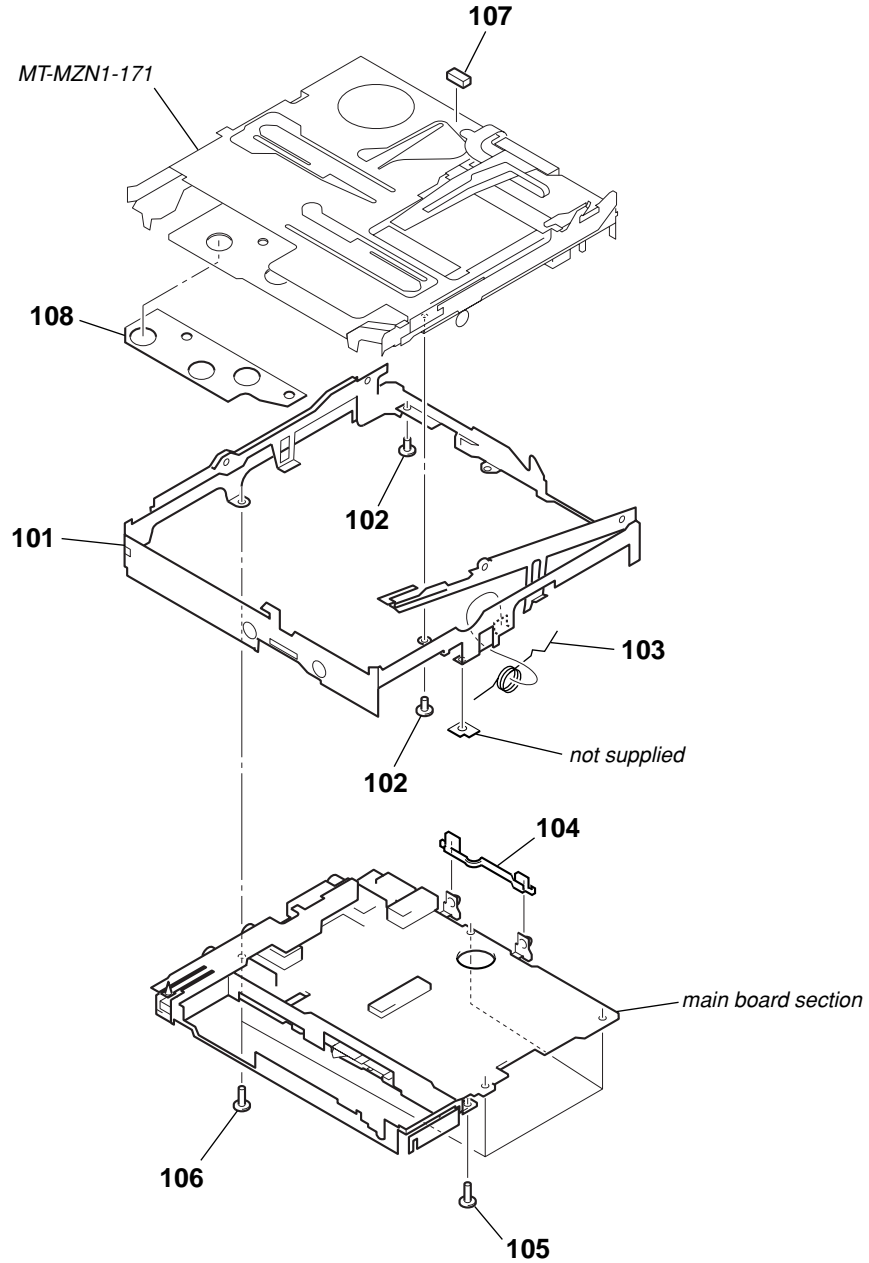
Ref. No.	Part No.	Description	Remark	Ref. No.	Part No.	Description	Remark
1	X-3381-786-1	UPPER PANEL (S) SERVICE ASSY (SILVER)		4	3-236-393-01	SPRING, COMPRESSION	
1	X-3381-787-1	UPPER PANEL (L) SERVICE ASSY (BLUE)		5	1-804-528-11	LCD MODULE	
2	3-234-449-09	SCREW (M1.4) (for BLUE)		6	4-984-017-01	SCREW (1.7), TAPPING	
2	3-234-449-11	SCREW (M1.4) (for SILVER)		7	3-236-418-01	LID, BATTERY CASE (SILVER)	
3	3-236-392-01	KNOB (CONTROL)		7	3-236-418-11	LID, BATTERY CASE (BLUE)	

7-2. BOTTOM PANEL SECTION



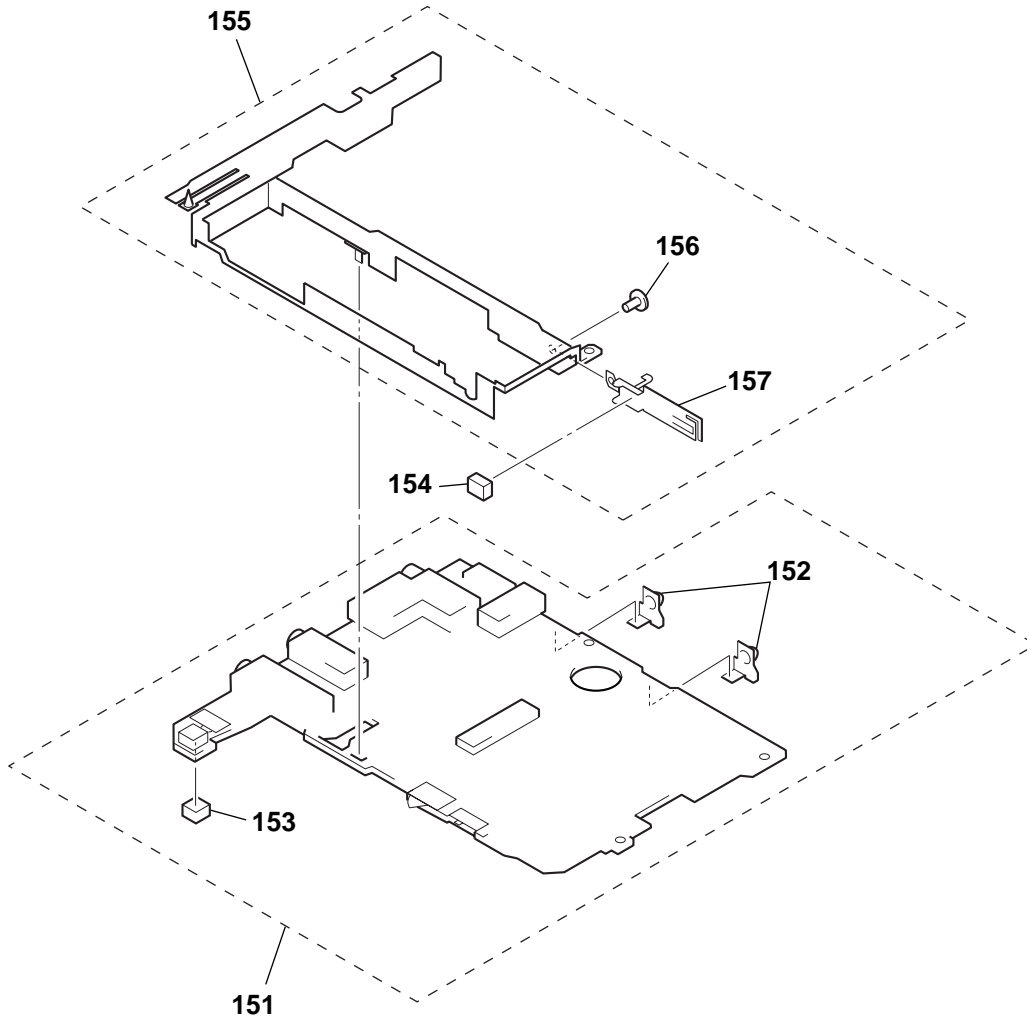
<u>Ref. No.</u>	<u>Part No.</u>	<u>Description</u>	<u>Remark</u>	<u>Ref. No.</u>	<u>Part No.</u>	<u>Description</u>	<u>Remark</u>
51	X-3381-790-1	BOTTOM PANEL (CE-S) SERVICE ASSY (SILVER) (AEP, UK, FR)		53	3-236-425-01	SPRING (CRADLE)	
51	X-3381-791-1	BOTTOM PANEL (CE-L) SERVICE ASSY (BLUE) (AEP, UK, FR)		54	3-010-287-01	COLLAR (DC IN)	
51	X-3381-792-1	BOTTOM PANEL (NON-CE-S) SERVICE ASSY (SILVER) (HK, KR)		55	3-236-422-01	ESCUTCHEON	
51	X-3381-793-1	BOTTOM PANEL (NON-CE-L) SERVICE ASSY (BLUE) (HK, KR)		56	3-236-412-01	ORNAMENT (CRADLE) (for SILVER)	
52	3-236-423-01	KNOB (OPEN)		56	3-236-412-11	ORNAMENT (CRADLE) (for BLUE)	
				57	3-236-410-01	KNOB (HOLD) (for SILVER)	
				57	3-236-410-11	KNOB (HOLD) (for BLUE)	
				58	3-239-451-01	SHEET (S)	

7-3. CHASSIS SECTION



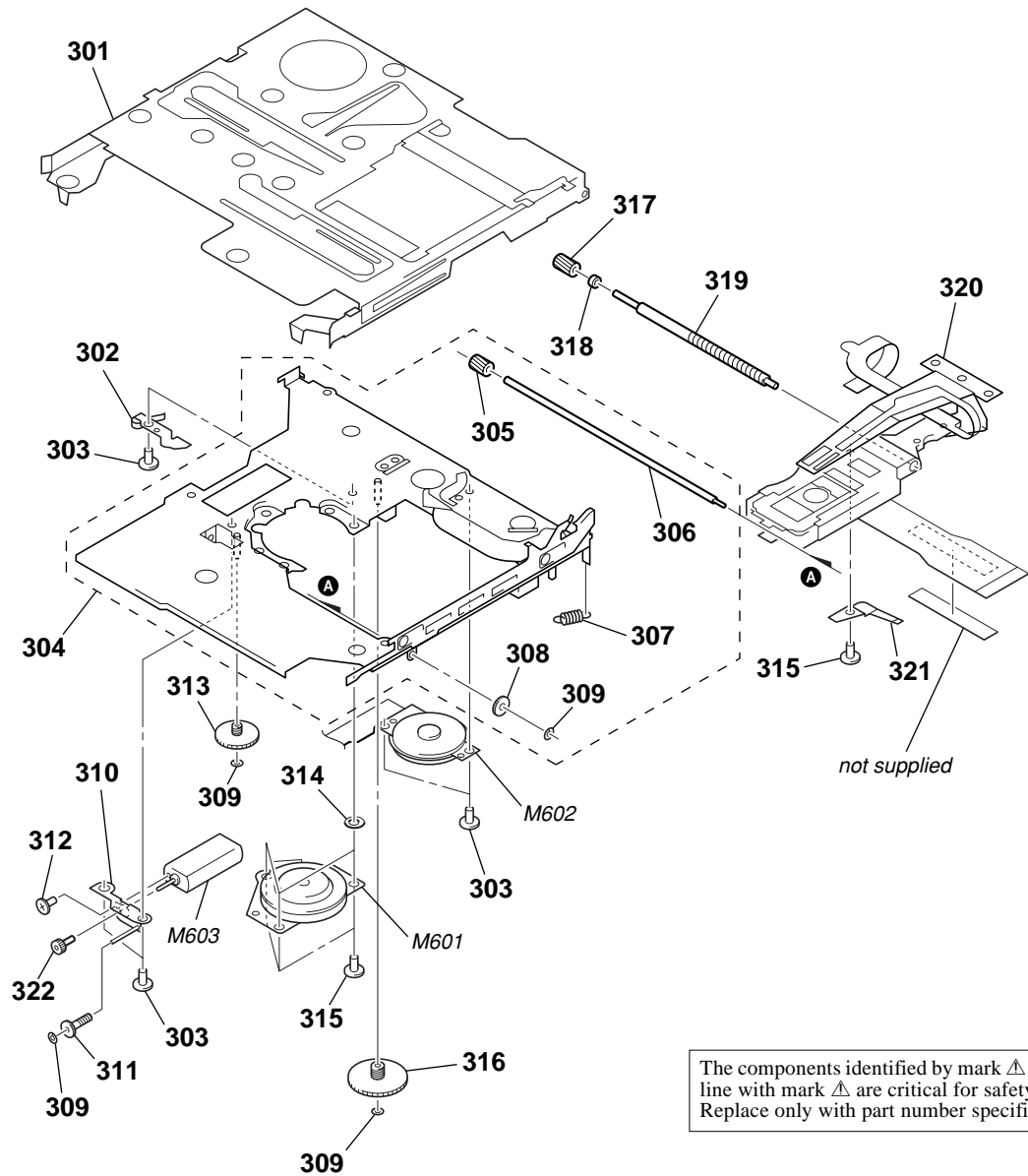
Ref. No.	Part No.	Description	Remark	Ref. No.	Part No.	Description	Remark
101	X-3381-264-1	CHASSIS ASSY		105	3-232-536-02	SCREW (M1.4) (EG)	
102	3-234-449-05	SCREW (M1.4)		106	3-238-876-01	SCREW (M1.4), TOOTHED LOCK	
103	3-236-416-01	SPRING (POP)		107	3-240-548-01	SHEET (H)	
104	3-236-414-01	HOLDER (TERMINAL)		108	3-239-193-01	SHEET (INSULATE MD)	

7-4. MAIN BOARD SECTION



Ref. No.	Part No.	Description	Remark	Ref. No.	Part No.	Description	Remark
151		MAIN BOARD, COMPLETE (EXCEPT FR)		154	3-235-763-01	SHEET (PLUS)	
151		MAIN BOARD, COMPLETE (FR)		155	X-3381-266-1	CASE ASSY, BATTERY	
152	3-236-413-01	TERMINAL		156	3-225-873-05	SCREW (M1.4)	
153	3-240-738-01	CUSHION (PROTECT)		157	X-3381-265-1	TERMINAL (PLUS) ASSY, BATTERY	

7-5. MD MECHANISM DECK SECTION
(MT-MZN1-171)



The components identified by mark Δ or dotted line with mark Δ are critical for safety. Replace only with part number specified.

Ref. No.	Part No.	Description	Remark	Ref. No.	Part No.	Description	Remark
301	X-3381-232-1	HOLDER ASSY		314	4-997-677-11	WASHER	
302	3-224-779-02	SPRING, THRUST DETENT		315	3-225-996-06	SCREW (M1.4) (EG), PRECISION PAN	
303	3-225-996-01	SCREW (M1.4) (EG), PRECISION PAN		316	4-222-216-01	GEAR (SA)	
304	X-3381-231-1	CHASSIS ASSY		317	4-222-208-01	GEAR (SB)	
305	4-222-218-02	GEAR (HD)		318	3-043-237-02	BEARING (N)	
306	4-222-223-01	SHAFT, SUB		319	4-222-203-02	SCREW, LEAD	
307	4-222-226-01	SPRING (EJECT), TENSION		Δ 320	X-3381-760-1	SERVICE ASSY, OP (LCX-5R)	
308	4-222-222-01	GEAR (RACK)		321	4-222-205-11	SPRING, RACK	
309	3-338-645-31	WASHER (0.8-2.5)		322	3-222-544-01	GEAR (HA)	
310	X-4951-918-3	CHASSIS ASSY, GEAR		M601	8-835-744-01	MOTOR, DC SSM18B (SPINDLE) (WITH TURN TABLE)	
311	3-222-545-01	GEAR (HB)		M602	1-763-727-11	MOTOR, DC (SLED) (WITH GEAR)	
312	4-224-885-01	SCREW (M1.2X1.5)		M603	1-763-400-21	MOTOR, DC (OVER WRITE HEAD UP/DOWN)	
313	4-222-215-01	GEAR (HC)					

SECTION 8 ELECTRICAL PARTS LIST

NOTE:

- Due to standardization, replacements in the parts list may be different from the parts specified in the diagrams or the components used on the set.
- -XX and -X mean standardized parts, so they may have some difference from the original one.
- RESISTORS
All resistors are in ohms.
METAL: Metal-film resistor.
METAL OXIDE: Metal oxide-film resistor.
F: nonflammable
- Abbreviation
FR : French model
HK : Hong Kong model
KR : Korean model

- Items marked “*” are not stocked since they are seldom required for routine service. Some delay should be anticipated when ordering these items.
- SEMICONDUCTORS
In each case, u: μ , for example:
uA. . : μ A. . uPA. . : μ PA. .
uPB. . : μ PB. . uPC. . : μ PC. .
uPD. . : μ PD. .
- CAPACITORS
uF: μ F
- COILS
uH: μ H

The components identified by mark Δ or dotted line with mark Δ are critical for safety. Replace only with part number specified.

When indicating parts by reference number, please include the board.

Ref. No.	Part No.	Description	Remark	Ref. No.	Part No.	Description	Remark
		MAIN BOARD, COMPLETE (EXCEPT FR)					
		MAIN BOARD, COMPLETE (FR)					

	3-239-480-01	SHEET (J2) (FR)					
	3-239-481-01	SHEET (J1) (FR)					
	3-236-413-01	TERMINAL					
	3-240-738-01	CUSHION (PROTECT)					
		< CAPACITOR >					
C101	1-125-837-11	CERAMIC CHIP	1uF 10% 6.3V	C308	1-107-820-11	CERAMIC CHIP	0.1uF 16V
C102	1-164-941-11	CERAMIC CHIP	0.0047uF 10% 16V	C309	1-127-895-11	TANTALUM CHIP	22uF 20% 4V
C103	1-164-939-11	CERAMIC CHIP	0.0022uF 10% 50V	C310	1-125-899-11	TANTALUM CHIP	220uF 20% 4V
C104	1-135-868-11	TANTALUM CHIP	220uF 20% 2.5V	C311	1-128-964-11	TANTALUM CHIP	100uF 20% 6.3V
C105	1-113-600-11	TANTALUM CHIP	2.2uF 20% 6.3V	C312	1-127-895-11	TANTALUM CHIP	22uF 20% 4V
C107	1-164-943-11	CERAMIC CHIP	0.01uF 10% 16V	C313	1-119-750-11	TANTALUM CHIP	22uF 20% 6.3V
C108	1-164-935-11	CERAMIC CHIP	470PF 10% 50V	C314	1-119-923-11	CERAMIC CHIP	0.047uF 10% 10V
C110	1-125-837-11	CERAMIC CHIP	1uF 10% 6.3V	C315	1-113-600-11	TANTALUM CHIP	2.2uF 20% 6.3V
C111	1-164-874-11	CERAMIC CHIP	100PF 5% 50V	C316	1-125-926-11	TANTALUM CHIP	4.7uF 20% 6.3V
C112	1-125-837-11	CERAMIC CHIP	1uF 10% 6.3V	C320	1-117-919-11	TANTALUM CHIP	10uF 20% 6.3V
C113	1-131-862-11	TANTALUM CHIP	47uF 20% 4V	C322	1-131-862-11	TANTALUM CHIP	47uF 20% 4V
C116	1-164-937-11	CERAMIC CHIP	0.001uF 10% 50V	C323	1-117-919-11	TANTALUM CHIP	10uF 20% 6.3V
C117	1-125-777-11	CERAMIC CHIP	0.1uF 10% 10V	C330	1-107-820-11	CERAMIC CHIP	0.1uF 16V
C118	1-164-939-11	CERAMIC CHIP	0.0022uF 10% 50V	C332	1-117-919-11	TANTALUM CHIP	10uF 20% 6.3V
C201	1-125-837-11	CERAMIC CHIP	1uF 10% 6.3V	C335	1-164-933-11	CERAMIC CHIP	220PF 10% 50V
C202	1-164-941-11	CERAMIC CHIP	0.0047uF 10% 16V	C336	1-125-837-11	CERAMIC CHIP	1uF 10% 6.3V
C203	1-164-939-11	CERAMIC CHIP	0.0022uF 10% 50V	C344	1-164-943-11	CERAMIC CHIP	0.01uF 10% 16V
C204	1-135-868-11	TANTALUM CHIP	220uF 20% 2.5V	C501	1-164-874-11	CERAMIC CHIP	100PF 5% 50V
C205	1-113-600-11	TANTALUM CHIP	2.2uF 20% 6.3V	C502	1-107-819-11	CERAMIC CHIP	0.022uF 10% 16V
C207	1-164-943-11	CERAMIC CHIP	0.01uF 10% 16V	C503	1-164-939-11	CERAMIC CHIP	0.0022uF 10% 50V
C208	1-164-935-11	CERAMIC CHIP	470PF 10% 50V	C504	1-164-939-11	CERAMIC CHIP	0.0022uF 10% 50V
C210	1-125-837-11	CERAMIC CHIP	1uF 10% 6.3V	C505	1-164-943-11	CERAMIC CHIP	0.01uF 10% 16V
C211	1-164-874-11	CERAMIC CHIP	100PF 5% 50V	C506	1-107-819-11	CERAMIC CHIP	0.022uF 10% 16V
C212	1-125-837-11	CERAMIC CHIP	1uF 10% 6.3V	C507	1-107-819-11	CERAMIC CHIP	0.022uF 10% 16V
C213	1-131-862-11	TANTALUM CHIP	47uF 20% 4V	C508	1-125-777-11	CERAMIC CHIP	0.1uF 10% 10V
C216	1-164-937-11	CERAMIC CHIP	0.001uF 10% 50V	C509	1-164-939-11	CERAMIC CHIP	0.0022uF 10% 50V
C217	1-125-777-11	CERAMIC CHIP	0.1uF 10% 10V	C510	1-164-850-11	CERAMIC CHIP	10PF 0.5PF 50V
C218	1-164-939-11	CERAMIC CHIP	0.0022uF 10% 50V	C511	1-164-850-11	CERAMIC CHIP	10PF 0.5PF 50V
C301	1-125-839-11	TANTALUM CHIP	47uF 20% 6.3V	C512	1-125-777-11	CERAMIC CHIP	0.1uF 10% 10V
C302	1-107-820-11	CERAMIC CHIP	0.1uF 16V	C513	1-164-850-11	CERAMIC CHIP	10PF 0.5PF 50V
C303	1-117-919-11	TANTALUM CHIP	10uF 20% 6.3V	C514	1-107-819-11	CERAMIC CHIP	0.022uF 10% 16V
C304	1-125-777-11	CERAMIC CHIP	0.1uF 10% 10V	C515	1-125-777-11	CERAMIC CHIP	0.1uF 10% 10V
C305	1-113-600-11	TANTALUM CHIP	2.2uF 20% 6.3V	C516	1-125-777-11	CERAMIC CHIP	0.1uF 10% 10V
C306	1-107-820-11	CERAMIC CHIP	0.1uF 16V	C518	1-125-926-11	TANTALUM CHIP	4.7uF 20% 6.3V
C307	1-125-837-11	CERAMIC CHIP	1uF 10% 6.3V	C519	1-164-941-11	CERAMIC CHIP	0.0047uF 10% 16V
				C521	1-125-777-11	CERAMIC CHIP	0.1uF 10% 10V
				C522	1-125-777-11	CERAMIC CHIP	0.1uF 10% 10V
				C523	1-125-837-11	CERAMIC CHIP	1uF 10% 6.3V
				C524	1-117-919-11	TANTALUM CHIP	10uF 20% 6.3V
				C526	1-125-777-11	CERAMIC CHIP	0.1uF 10% 10V
				C527	1-164-943-11	CERAMIC CHIP	0.01uF 10% 16V
				C529	1-125-840-11	TANTALUM	10uF 20% 6.3V
				C530	1-164-939-11	CERAMIC CHIP	0.0022uF 10% 50V

Ref. No.	Part No.	Description			Remark	Ref. No.	Part No.	Description			Remark
C532	1-119-923-11	CERAMIC CHIP	0.047uF	10%	10V	C815	1-119-923-11	CERAMIC CHIP	0.047uF	10%	10V
C557	1-107-819-11	CERAMIC CHIP	0.022uF	10%	16V	C816	1-119-923-11	CERAMIC CHIP	0.047uF	10%	10V
C558	1-107-819-11	CERAMIC CHIP	0.022uF	10%	16V	C817	1-119-923-11	CERAMIC CHIP	0.047uF	10%	10V
C559	1-107-819-11	CERAMIC CHIP	0.022uF	10%	16V	C818	1-125-891-11	CERAMIC CHIP	0.47uF	10%	10V
C561	1-125-777-11	CERAMIC CHIP	0.1uF	10%	10V	C819	1-164-935-11	CERAMIC CHIP	470PF	10%	50V
C562	1-119-923-11	CERAMIC CHIP	0.047uF	10%	10V	C820	1-125-839-11	TANTALUM CHIP	47uF	20%	6.3V
C563	1-119-923-11	CERAMIC CHIP	0.047uF	10%	10V	C821	1-125-837-11	CERAMIC CHIP	1uF	10%	6.3V
C564	1-119-923-11	CERAMIC CHIP	0.047uF	10%	10V	C822	1-125-777-11	CERAMIC CHIP	0.1uF	10%	10V
C566	1-125-777-11	CERAMIC CHIP	0.1uF	10%	10V	C825	1-117-919-11	TANTALUM CHIP	10uF	20%	6.3V
C570	1-164-943-11	CERAMIC CHIP	0.01uF	10%	16V	C826	1-127-715-11	CERAMIC CHIP	0.22uF	10%	16V
C571	1-164-943-11	CERAMIC CHIP	0.01uF	10%	16V	C828	1-117-919-11	TANTALUM CHIP	10uF	20%	6.3V
C572	1-164-943-11	CERAMIC CHIP	0.01uF	10%	16V	C829	1-125-777-11	CERAMIC CHIP	0.1uF	10%	10V
C601	1-164-943-11	CERAMIC CHIP	0.01uF	10%	16V	C830	1-125-777-11	CERAMIC CHIP	0.1uF	10%	10V
C602	1-125-777-11	CERAMIC CHIP	0.1uF	10%	10V	C831	1-128-964-11	TANTALUM CHIP	100uF	20%	6.3V
C603	1-125-839-11	TANTALUM CHIP	47uF	20%	6.3V	C832	1-125-777-11	CERAMIC CHIP	0.1uF	10%	10V
C604	1-164-943-11	CERAMIC CHIP	0.01uF	10%	16V	C833	1-107-819-11	CERAMIC CHIP	0.022uF	10%	16V
C605	1-164-937-11	CERAMIC CHIP	0.001uF	10%	50V	C835	1-107-819-11	CERAMIC CHIP	0.022uF	10%	16V
C606	1-164-874-11	CERAMIC CHIP	100PF	5%	50V	C836	1-125-777-11	CERAMIC CHIP	0.1uF	10%	10V
C607	1-164-874-11	CERAMIC CHIP	100PF	5%	50V	C838	1-164-937-11	CERAMIC CHIP	0.001uF	10%	50V
C608	1-125-777-11	CERAMIC CHIP	0.1uF	10%	10V	C839	1-164-943-11	CERAMIC CHIP	0.01uF	10%	16V
C609	1-137-762-11	TANTALUM	10uF	20%	4V	C840	1-107-820-11	CERAMIC CHIP	0.1uF		16V
C610	1-125-777-11	CERAMIC CHIP	0.1uF	10%	10V	C841	1-107-820-11	CERAMIC CHIP	0.1uF		16V
C611	1-117-919-11	TANTALUM CHIP	10uF	20%	6.3V	C845	1-164-943-11	CERAMIC CHIP	0.01uF	10%	16V
C612	1-117-919-11	TANTALUM CHIP	10uF	20%	6.3V	C846	1-164-943-11	CERAMIC CHIP	0.01uF	10%	16V
C613	1-125-777-11	CERAMIC CHIP	0.1uF	10%	10V	C847	1-164-943-11	CERAMIC CHIP	0.01uF	10%	16V
C614	1-125-777-11	CERAMIC CHIP	0.1uF	10%	10V	C848	1-131-860-11	TANTALUM CHIP	4.7uF	20%	10V
C615	1-137-760-11	MICA CHIP	100PF	5%	100V	C849	1-164-937-11	CERAMIC CHIP	0.001uF	10%	50V
C616	1-125-777-11	CERAMIC CHIP	0.1uF	10%	10V	C850	1-164-937-11	CERAMIC CHIP	0.001uF	10%	50V
C618	1-125-777-11	CERAMIC CHIP	0.1uF	10%	10V	C851	1-125-777-11	CERAMIC CHIP	0.1uF	10%	10V
C619	1-125-777-11	CERAMIC CHIP	0.1uF	10%	10V	C901	1-125-840-11	TANTALUM	10uF	20%	6.3V
C621	1-164-943-11	CERAMIC CHIP	0.01uF	10%	16V	C902	1-125-840-11	TANTALUM	10uF	20%	6.3V
C622	1-125-837-11	CERAMIC CHIP	1uF	10%	6.3V	C903	1-128-964-11	TANTALUM CHIP	100uF	20%	6.3V
C623	1-127-895-11	TANTALUM CHIP	22uF	20%	4V	C904	1-125-840-11	TANTALUM	10uF	20%	6.3V
C624	1-127-895-11	TANTALUM CHIP	22uF	20%	4V	C905	1-125-777-11	CERAMIC CHIP	0.1uF	10%	10V
C625	1-131-862-11	TANTALUM CHIP	47uF	20%	4V	C906	1-164-943-11	CERAMIC CHIP	0.01uF	10%	16V
C626	1-125-839-11	TANTALUM CHIP	47uF	20%	6.3V	C907	1-125-889-11	CERAMIC CHIP	2.2uF	10%	10V
C627	1-125-837-11	CERAMIC CHIP	1uF	10%	6.3V	C908	1-125-777-11	CERAMIC CHIP	0.1uF	10%	10V
C628	1-125-777-11	CERAMIC CHIP	0.1uF	10%	10V	C913	1-164-941-11	CERAMIC CHIP	0.0047uF	10%	16V
C629	1-164-943-11	CERAMIC CHIP	0.01uF	10%	16V	C914	1-125-777-11	CERAMIC CHIP	0.1uF	10%	10V
C630	1-164-874-11	CERAMIC CHIP	100PF	5%	50V	C915	1-125-777-11	CERAMIC CHIP	0.1uF	10%	10V
C631	1-117-919-11	TANTALUM CHIP	10uF	20%	6.3V	C917	1-125-777-11	CERAMIC CHIP	0.1uF	10%	10V
C632	1-125-777-11	CERAMIC CHIP	0.1uF	10%	10V	C919	1-117-919-11	TANTALUM CHIP	10uF	20%	6.3V
C633	1-125-777-11	CERAMIC CHIP	0.1uF	10%	10V	C920	1-117-919-11	TANTALUM CHIP	10uF	20%	6.3V
C636	1-164-937-11	CERAMIC CHIP	0.001uF	10%	50V	C921	1-125-777-11	CERAMIC CHIP	0.1uF	10%	10V
C637	1-125-777-11	CERAMIC CHIP	0.1uF	10%	10V	C922	1-164-937-11	CERAMIC CHIP	0.001uF	10%	50V
C803	1-117-919-11	TANTALUM CHIP	10uF	20%	6.3V	C923	1-125-891-11	CERAMIC CHIP	0.47uF	10%	10V
C804	1-164-943-11	CERAMIC CHIP	0.01uF	10%	16V	C924	1-125-891-11	CERAMIC CHIP	0.47uF	10%	10V
C805	1-125-777-11	CERAMIC CHIP	0.1uF	10%	10V	C925	1-125-891-11	CERAMIC CHIP	0.47uF	10%	10V
C806	1-164-850-11	CERAMIC CHIP	10PF	0.5PF	50V	C926	1-164-937-11	CERAMIC CHIP	0.001uF	10%	50V
C807	1-164-850-11	CERAMIC CHIP	10PF	0.5PF	50V	C928	1-127-895-11	TANTALUM CHIP	22uF	20%	4V
C808	1-164-850-11	CERAMIC CHIP	10PF	0.5PF	50V	C929	1-127-895-11	TANTALUM CHIP	22uF	20%	4V
C809	1-164-850-11	CERAMIC CHIP	10PF	0.5PF	50V	C930	1-127-715-11	CERAMIC CHIP	0.22uF	10%	16V
C810	1-125-840-11	TANTALUM	10uF	20%	6.3V	C931	1-164-874-11	CERAMIC CHIP	100PF	5%	50V
C811	1-125-837-11	CERAMIC CHIP	1uF	10%	6.3V	C932	1-125-777-11	CERAMIC CHIP	0.1uF	10%	10V
C812	1-164-943-11	CERAMIC CHIP	0.01uF	10%	16V	C933	1-164-874-11	CERAMIC CHIP	100PF	5%	50V
C813	1-125-837-11	CERAMIC CHIP	1uF	10%	6.3V	C934	1-137-762-11	TANTALUM	10uF	20%	4V
C814	1-164-943-11	CERAMIC CHIP	0.01uF	10%	16V	C935	1-125-777-11	CERAMIC CHIP	0.1uF	10%	10V
						C936	1-125-777-11	CERAMIC CHIP	0.1uF	10%	10V

MAIN

Ref. No.	Part No.	Description	Remark
< CONNECTOR >			
* CN501	1-778-168-11	CONNECTOR, FFC/FPC (ZIF) 20P	
* CN502	1-815-790-21	CONNECTOR, FPC (ZIF) 10P	
CN601	1-815-951-11	CONNECTOR (USB CRADLE CONNECTOR)	
* CN801	1-794-772-21	CONNECTOR, FPC (ZIF) 20P	
< DIODE >			
D301	8-719-081-71	DIODE DF8A6.8FK (TE85R)	
D303	8-719-046-91	DIODE MA2S111-TX	
D601	8-719-081-33	DIODE MA2YD1500LS0	
D602	8-719-081-33	DIODE MA2YD1500LS0	
D603	8-719-081-34	DIODE RB160M-30TR	
D604	8-719-082-45	DIODE RB715W-TL	
D606	8-719-081-35	DIODE MA2YD1700LS0	
D607	8-719-081-33	DIODE MA2YD1500LS0	
D608	8-719-081-35	DIODE MA2YD1700LS0	
D611	6-500-164-01	DIODE DF5A6.8LFU (TE85R)	
D612	8-719-081-33	DIODE MA2YD1500LS0	
D803	8-719-046-85	DIODE MA2S728-(K8).SO	
D804	8-719-046-85	DIODE MA2S728-(K8).SO	
D901	8-719-081-33	DIODE MA2YD1500LS0	
D902	8-719-081-33	DIODE MA2YD1500LS0	
D903	8-719-420-51	DIODE MA729-TX	
D904	8-719-046-91	DIODE MA2S111-TX	
D905	8-719-072-27	DIODE MA2Z748001S0	
< FUSE >			
△ F801	1-576-439-21	FUSE (SMD) 0.25A 125V	
< RESISTOR >			
FB301	1-216-864-11	METAL CHIP 0 5% 1/16W	
FB303	1-216-809-11	METAL CHIP 100 5% 1/16W	
FB304	1-216-809-11	METAL CHIP 100 5% 1/16W	
FB306	1-216-864-11	METAL CHIP 0 5% 1/16W	
FB601	1-216-864-11	METAL CHIP 0 5% 1/16W	
FB602	1-216-864-11	METAL CHIP 0 5% 1/16W	
FB603	1-216-864-11	METAL CHIP 0 5% 1/16W	
FB801	1-216-864-11	METAL CHIP 0 5% 1/16W	
FB802	1-216-864-11	METAL CHIP 0 5% 1/16W	
FB803	1-216-864-11	METAL CHIP 0 5% 1/16W	
FB804	1-216-864-11	METAL CHIP 0 5% 1/16W	
FB805	1-216-864-11	METAL CHIP 0 5% 1/16W	
< IC >			
IC301	8-759-694-88	IC AK5354VT-E2	
IC302	6-700-662-01	IC AN17020A-VB	
IC303	8-759-699-54	IC NJM2173APC1 (TE2)	
IC501	6-701-391-01	IC SN761057A	
IC551	6-700-680-01	IC SC111258FCR2	
IC601	6-701-477-01	IC XPC18A22AFRCR2	
IC603	6-700-958-01	IC XC61FS1YXXMR	
@ IC801	8-752-930-27	IC CXD2677-202GA	
IC802	8-759-680-85	IC AK6417AL-L	
IC803	8-759-680-84	IC AK6480BL-L	
IC901	6-700-880-01	IC XPC18A32AFRCR2	
IC902	6-701-832-01	IC XC6368D101MR	

Ref. No.	Part No.	Description	Remark
IC903	6-701-978-01	IC XC61CN0802NR	
< JACK >			
J301	1-815-950-11	JACK (LINE IN (OPT))	
J302	1-816-153-21	JACK (○/LINE OUT)	
J303	1-793-620-21	JACK (MIC PLUG IN POWER)	
J601	1-785-383-11	JACK, DC (POLARITY UNIFIED TYPE)	(DC IN 3V)
< COIL/RESISTOR >			
L301	1-469-535-21	INDUCTOR 10uH	
L302	1-469-535-21	INDUCTOR 10uH	
L303	1-469-535-21	INDUCTOR 10uH	
L501	1-469-535-21	INDUCTOR 10uH	
L502	1-469-535-21	INDUCTOR 10uH	
L601	1-428-912-21	CHOKO COIL 10uH	
L602	1-469-535-21	INDUCTOR 10uH	
L603	1-469-535-21	INDUCTOR 10uH	
L801	1-469-535-21	INDUCTOR 10uH	
L802	1-469-535-21	INDUCTOR 10uH	
L803	1-216-864-11	METAL CHIP 0 5% 1/16W	
L901	1-419-953-21	CHOKO COIL 100uH	
L902	1-419-949-21	CHOKO COIL 22uH	
L903	1-469-367-21	INDUCTOR 10uH	
L904	1-414-398-11	INDUCTOR 10uH	
L905	1-469-426-21	INDUCTOR 100uH	
L906	1-414-404-41	INDUCTOR 100uH	
L907	1-469-535-21	INDUCTOR 10uH	
< TRANSISTOR >			
Q302	8-729-051-23	TRANSISTOR 2SA2018TL	
Q501	8-729-922-10	TRANSISTOR 2SA1577-T106-QR	
Q601	8-729-046-45	FET SI2302DS-T1	
Q602	8-729-046-44	TRANSISTOR ZDT6718TA	
Q603	8-729-053-71	FET TS8K1TB	
Q604	8-729-046-43	FET HAT2051T-EL	
Q605	8-729-046-42	FET HAT2050T-EL	
Q607	8-729-427-47	TRANSISTOR UMH2NTN	
Q801	8-729-429-44	TRANSISTOR XP1501-TXE	
Q804	8-729-047-48	TRANSISTOR UMD12N-TR	
Q901	8-729-052-37	FET XP151A13A0MR	
Q902	8-729-023-22	TRANSISTOR 2SD2114KT146	
Q903	8-729-046-45	FET SI2302DS-T1	
Q904	8-729-037-53	TRANSISTOR 2SB1462J-QR (TX).SO	
Q905	8-729-037-75	TRANSISTOR UN9214J-(TX).SO	
Q906	8-729-429-44	TRANSISTOR XP1501-TXE	
Q907	8-729-055-32	FET 3LN01SS-TL	
Q908	8-729-034-59	TRANSISTOR 2SA1745-6.7-TL	
Q909	8-729-037-92	TRANSISTOR 2SD2216J-R (TX).SO	
Q910	8-729-037-92	TRANSISTOR 2SD2216J-R (TX).SO	
Q911	8-729-037-92	TRANSISTOR 2SD2216J-R (TX).SO	
< RESISTOR >			
R101	1-208-715-11	METAL CHIP 22K 0.5% 1/16W	
R102	1-208-707-11	METAL CHIP 10K 0.5% 1/16W	
R103	1-218-965-11	RES-CHIP 10K 5% 1/16W	
R104	1-208-635-11	METAL CHIP 10 0.5% 1/16W	(FR)

The components identified by mark △ or dotted line with mark △ are critical for safety. Replace only with part number specified.

@ Replacement of CXD2677-202GA (IC801) used in this set requires a special tool.

Ref. No.	Part No.	Description			Remark	Ref. No.	Part No.	Description			Remark
R104	1-220-803-11	RES-CHIP	4.7	5%	1/16W (EXCEPT FR)	R620	1-218-965-11	RES-CHIP	10K	5%	1/16W
R105	1-208-643-11	RES-CHIP	22	5%	1/16W	R621	1-218-965-11	RES-CHIP	10K	5%	1/16W
R106	1-208-707-11	METAL CHIP	10K	0.5%	1/16W	R622	1-216-797-11	METAL CHIP	10	5%	1/16W
R111	1-208-715-11	METAL CHIP	22K	0.5%	1/16W	R623	1-218-969-11	RES-CHIP	22K	5%	1/16W
R112	1-208-927-11	METAL CHIP	47K	0.5%	1/16W	R628	1-218-957-11	RES-CHIP	2.2K	5%	1/16W
R118	1-208-715-11	METAL CHIP	22K	0.5%	1/16W	R629	1-218-953-11	RES-CHIP	1K	5%	1/16W
R201	1-208-715-11	METAL CHIP	22K	0.5%	1/16W	R630	1-218-949-11	RES-CHIP	470	5%	1/16W
R202	1-208-707-11	METAL CHIP	10K	0.5%	1/16W	R631	1-218-973-11	RES-CHIP	47K	5%	1/16W
R203	1-218-965-11	RES-CHIP	10K	5%	1/16W	R801	1-218-990-11	SHORT	0		
R204	1-208-635-11	METAL CHIP	10	0.5%	1/16W (FR)	R802	1-208-935-11	RES-CHIP	100K	0.5%	1/16W
R204	1-220-803-11	RES-CHIP	4.7	5%	1/16W (EXCEPT FR)	R803	1-208-927-11	METAL CHIP	47K	0.5%	1/16W
R205	1-208-643-11	RES-CHIP	22	5%	1/16W	R804	1-208-927-11	METAL CHIP	47K	0.5%	1/16W
R206	1-208-707-11	METAL CHIP	10K	0.5%	1/16W	R805	1-208-951-11	RES-CHIP	100K	0.5%	1/16W
R211	1-208-715-11	METAL CHIP	22K	0.5%	1/16W	R806	1-218-981-11	RES-CHIP	220K	5%	1/16W
R212	1-208-927-11	METAL CHIP	47K	0.5%	1/16W	R807	1-216-801-11	METAL CHIP	22	5%	1/16W
R218	1-208-715-11	METAL CHIP	22K	0.5%	1/16W	R808	1-218-961-11	RES-CHIP	4.7K	5%	1/16W
R301	1-208-707-11	METAL CHIP	10K	0.5%	1/16W	R809	1-216-801-11	METAL CHIP	22	5%	1/16W
R302	1-218-953-11	RES-CHIP	1K	5%	1/16W	R810	1-218-949-11	RES-CHIP	470	5%	1/16W
R303	1-218-981-11	RES-CHIP	220K	5%	1/16W	R812	1-218-990-11	SHORT	0		
R304	1-218-953-11	RES-CHIP	1K	5%	1/16W	R813	1-218-989-11	RES-CHIP	1M	5%	1/16W
R305	1-218-953-11	RES-CHIP	1K	5%	1/16W	R814	1-218-990-11	SHORT	0		
R306	1-218-985-11	RES-CHIP	470K	5%	1/16W	R815	1-218-949-11	RES-CHIP	470	5%	1/16W
R307	1-218-941-11	RES-CHIP	100	5%	1/16W	R818	1-218-990-11	SHORT	0		
R309	1-208-943-11	METAL CHIP	220K	0.5%	1/16W	R819	1-208-635-11	RES-CHIP	10	5%	1/16W
R312	1-218-977-11	RES-CHIP	100K	5%	1/16W	R820	1-218-965-11	RES-CHIP	10K	5%	1/16W
R313	1-218-977-11	RES-CHIP	100K	5%	1/16W	R821	1-218-977-11	RES-CHIP	100K	5%	1/16W
R314	1-218-965-11	RES-CHIP	10K	5%	1/16W	R822	1-218-977-11	RES-CHIP	100K	5%	1/16W
R317	1-218-941-11	RES-CHIP	100	5%	1/16W	R823	1-208-635-11	RES-CHIP	10	5%	1/16W
R318	1-218-941-11	RES-CHIP	100	5%	1/16W	R824	1-218-957-11	RES-CHIP	2.2K	5%	1/16W
R319	1-218-941-11	RES-CHIP	100	5%	1/16W	R825	1-218-957-11	RES-CHIP	2.2K	5%	1/16W
R501	1-218-973-11	RES-CHIP	47K	5%	1/16W	R826	1-218-957-11	RES-CHIP	2.2K	5%	1/16W
R502	1-218-985-11	RES-CHIP	470K	5%	1/16W	R828	1-218-981-11	RES-CHIP	220K	5%	1/16W
R503	1-218-981-11	RES-CHIP	220K	5%	1/16W	R830	1-218-953-11	RES-CHIP	1K	5%	1/16W
R505	1-208-707-11	METAL CHIP	10K	0.5%	1/16W	R831	1-218-957-11	RES-CHIP	2.2K	5%	1/16W
R507	1-218-953-11	RES-CHIP	1K	5%	1/16W	R832	1-218-945-11	RES-CHIP	220	5%	1/16W
R517	1-208-683-11	METAL CHIP	1K	0.5%	1/16W	R833	1-220-804-11	RES-CHIP	2.2M	5%	1/16W
R519	1-218-977-11	RES-CHIP	100K	5%	1/16W	R835	1-218-957-11	RES-CHIP	2.2K	5%	1/16W
R521	1-218-446-11	METAL CHIP	1	5%	1/16W	R836	1-218-990-11	SHORT	0		
R522	1-218-446-11	METAL CHIP	1	5%	1/16W	R837	1-208-691-11	METAL CHIP	2.2K	0.5%	1/16W
R601	1-218-989-11	RES-CHIP	1M	5%	1/16W	R838	1-216-864-11	METAL CHIP	0	5%	1/16W
R602	1-218-981-11	RES-CHIP	220K	5%	1/16W	R839	1-218-990-11	SHORT	0		
R603	1-218-977-11	RES-CHIP	100K	5%	1/16W	R840	1-208-691-11	METAL CHIP	2.2K	0.5%	1/16W
R604	1-218-446-11	METAL CHIP	1	5%	1/16W	R841	1-218-990-11	SHORT	0		
R605	1-216-789-11	METAL CHIP	2.2	5%	1/16W	R842	1-218-990-11	SHORT	0		
R606	1-218-949-11	RES-CHIP	470	5%	1/16W	R843	1-218-990-11	SHORT	0		
R607	1-218-945-11	RES-CHIP	220	5%	1/16W	R845	1-218-989-11	RES-CHIP	1M	5%	1/16W
R608	1-218-981-11	RES-CHIP	220K	5%	1/16W	R846	1-218-941-11	RES-CHIP	100	5%	1/16W
R609	1-218-446-11	METAL CHIP	1	5%	1/16W	R847	1-218-989-11	RES-CHIP	1M	5%	1/16W
R610	1-218-990-11	SHORT	0			R850	1-218-953-11	RES-CHIP	1K	5%	1/16W
R611	1-218-990-11	SHORT	0			R852	1-218-990-11	SHORT	0		
R612	1-218-985-11	RES-CHIP	470K	5%	1/16W	R854	1-218-990-11	SHORT	0		
R613	1-218-957-11	RES-CHIP	2.2K	5%	1/16W	R855	1-218-990-11	SHORT	0		
R614	1-218-965-11	RES-CHIP	10K	5%	1/16W	R858	1-218-989-11	RES-CHIP	1M	5%	1/16W
R615	1-218-977-11	RES-CHIP	100K	5%	1/16W	R859	1-208-931-11	RES-CHIP	68K	0.5%	1/16W
R616	1-218-446-11	METAL CHIP	1	5%	1/16W	R860	1-218-953-11	RES-CHIP	1K	5%	1/16W
						R861	1-218-989-11	RES-CHIP	1M	5%	1/16W
						R862	1-218-953-11	RES-CHIP	1K	5%	1/16W

MAIN

Ref. No.	Part No.	Description	Remark
R863	1-218-953-11	RES-CHIP 1K 5%	1/16W
R864	1-218-953-11	RES-CHIP 1K 5%	1/16W
R865	1-218-957-11	RES-CHIP 2.2K 5%	1/16W
R866	1-218-953-11	RES-CHIP 1K 5%	1/16W
R867	1-218-985-11	RES-CHIP 470K 5%	1/16W
R902	1-218-985-11	RES-CHIP 470K 5%	1/16W
R903	1-218-957-11	RES-CHIP 2.2K 5%	1/16W
R905	1-218-957-11	RES-CHIP 2.2K 5%	1/16W
R909	1-218-965-11	RES-CHIP 10K 5%	1/16W
R910	1-218-965-11	RES-CHIP 10K 5%	1/16W
R911	1-218-949-11	RES-CHIP 470 5%	1/16W
R915	1-218-941-11	RES-CHIP 100 5%	1/16W
R916	1-218-989-11	METAL CHIP 1M 0.5%	1/16W
R917	1-218-990-11	SHORT 0	
R920	1-208-707-11	METAL CHIP 10K 0.5%	1/16W
R922	1-208-935-11	METAL CHIP 100K 0.5%	1/16W
R923	1-218-985-11	METAL CHIP 470K 0.5%	1/16W
R924	1-218-957-11	RES-CHIP 2.2K 5%	1/16W
R925	1-218-989-11	RES-CHIP 1M 5%	1/16W
R927	1-218-989-11	RES-CHIP 1M 5%	1/16W
R928	1-218-989-11	RES-CHIP 1M 5%	1/16W
R929	1-218-989-11	RES-CHIP 1M 5%	1/16W
R930	1-218-989-11	RES-CHIP 1M 5%	1/16W
R933	1-218-989-11	RES-CHIP 1M 5%	1/16W
R934	1-218-969-11	RES-CHIP 22K 5%	1/16W
R935	1-218-989-11	RES-CHIP 1M 5%	1/16W
R937	1-218-985-11	RES-CHIP 470K 5%	1/16W
R938	1-218-990-11	SHORT 0	
R941	1-218-969-11	RES-CHIP 22K 5%	1/16W
R950	1-218-977-11	RES-CHIP 100K 5%	1/16W
R951	1-218-985-11	RES-CHIP 470K 5%	1/16W
R952	1-218-981-11	RES-CHIP 220K 5%	1/16W
R953	1-218-985-11	RES-CHIP 470K 5%	1/16W
R954	1-208-927-11	METAL CHIP 47K 0.5%	1/16W
R955	1-218-981-11	RES-CHIP 220K 5%	1/16W
R956	1-218-989-11	RES-CHIP 1M 5%	1/16W
R958	1-218-977-11	RES-CHIP 100K 5%	1/16W
R959	1-218-981-11	RES-CHIP 220K 5%	1/16W
R960	1-218-981-11	RES-CHIP 220K 5%	1/16W
R961	1-208-707-11	METAL CHIP 10K 0.5%	1/16W
< COMPOSITION CIRCUIT BLOCK >			
RB551	1-233-963-21	RES, NETWORK (CHIP TYPE) 2.2K	
RB552	1-233-967-11	RES, NETWORK (CHIP TYPE) 10K	
RB801	1-233-973-11	RES, NETWORK (CHIP TYPE) 100K	
< SWITCH >			
S801	1-786-030-21	SWITCH, SLIDE (HOLD)	
S802	1-771-860-21	SWITCH, PUSH (1 KEY) (PROTECT DETECT)	
S803	1-771-806-61	SWITCH, PUSH (1 KEY) (RECHARGEABLE BATTERY IN DETECT)	
S804	1-762-805-21	SWITCH, PUSH (1 KEY) (OPEN/CLOSE DETECT)	
S805	1-786-260-21	SWITCH, TACTILE (T MARK)	
S806	1-762-947-12	SWITCH, PUSH (1 KEY) (OPEN)	

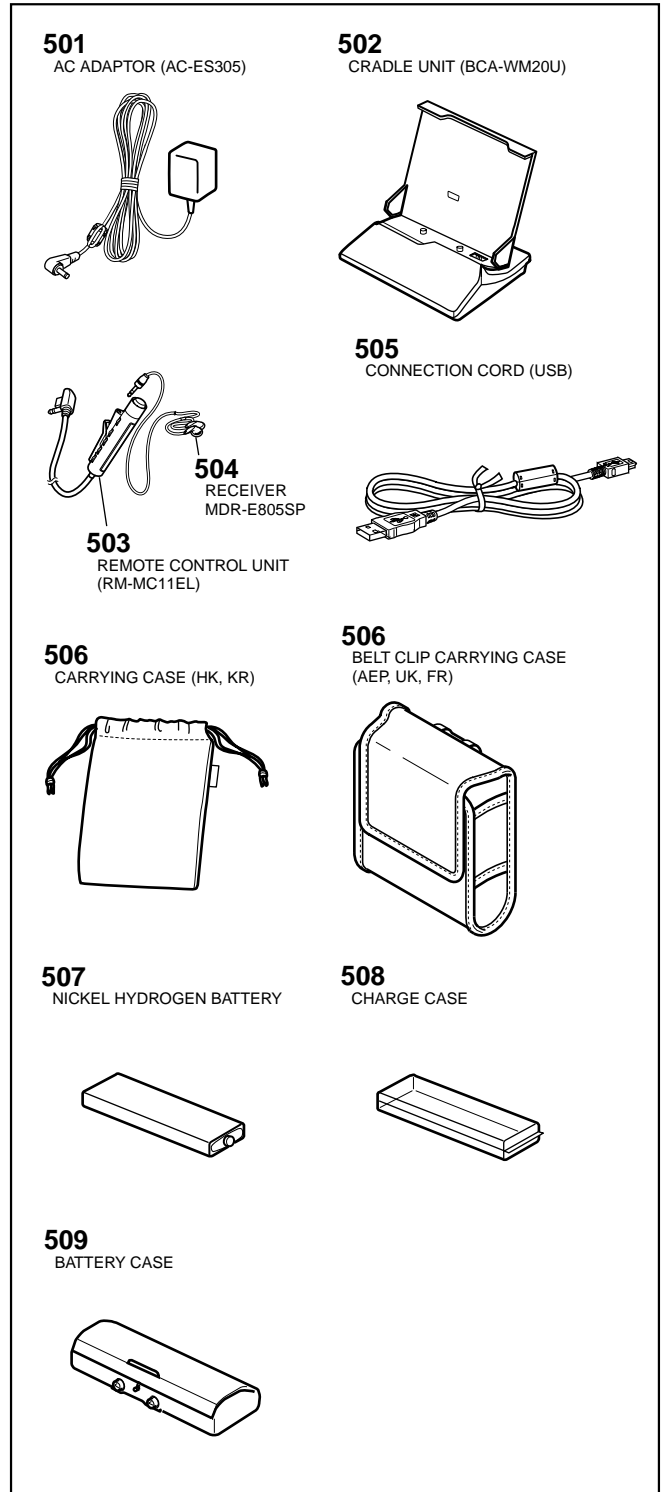
Ref. No.	Part No.	Description	Remark
< EMI FILTER >			
T601	1-416-405-21	FILTER, CHIP EMI	
< THERMISTOR >			
TH601	1-804-616-21	THERMISTOR, POSITIVE	
TH602	1-804-616-21	THERMISTOR, POSITIVE	
< VIBRATOR >			
X801	1-795-462-21	VIBRATOR, CRYSTAL (48MHz)	
X802	1-795-047-21	VIBRATOR, CRYSTAL (45.1584MHz)	

MISCELLANEOUS			

5	1-804-528-11	LCD MODULE	
△320	X-3381-760-1	SERVICE ASSY, OP (LCX-5R)	
M601	8-835-744-01	MOTOR, DC SSM18B (SPINDLE) (WITH TURN TABLE)	
M602	1-763-727-11	MOTOR, DC (SLED) (WITH GEAR)	
M603	1-763-400-21	MOTOR, DC (OVER WRITE HEAD UP/DOWN)	

The components identified by mark △ or dotted line with mark △ are critical for safety. Replace only with part number specified.

Ref. No.	Part No.	Description	Remark
		ACCESSORIES *****	
	3-234-039-11	MANUAL, INSTRUCTION (ENGLISH) (AEP, UK, HK, KR)	
	3-234-039-21	MANUAL, INSTRUCTION (FRENCH) (AEP, FR)	
	3-234-039-31	MANUAL, INSTRUCTION (GERMAN) (AEP)	
	3-234-039-41	MANUAL, INSTRUCTION (SPANISH) (AEP)	
	3-234-039-51	MANUAL, INSTRUCTION (DUTCH) (AEP)	
	3-234-039-61	MANUAL, INSTRUCTION (SWEDISH) (AEP)	
	3-234-039-71	MANUAL, INSTRUCTION (ITALIAN) (AEP)	
	3-234-039-81	MANUAL, INSTRUCTION (PORTUGUES) (AEP)	
	3-234-039-91	MANUAL, INSTRUCTION (FINNISH) (AEP)	
	3-236-743-11	MANUAL, INSTRUCTION (Open MG Jukebox) (ENGLISH) (AEP, UK, HK, KR)	
	3-236-743-21	MANUAL, INSTRUCTION (Open MG Jukebox) (FRENCH) (AEP, FR)	
	3-236-743-31	MANUAL, INSTRUCTION (Open MG Jukebox) (GERMAN) (AEP)	
	3-236-743-41	MANUAL, INSTRUCTION (Open MG Jukebox) (SPANISH) (AEP)	
	3-236-743-51	MANUAL, INSTRUCTION (Open MG Jukebox) (DUTCH) (AEP)	
	3-236-743-61	MANUAL, INSTRUCTION (Open MG Jukebox) (SWEDISH) (AEP)	
	3-236-743-71	MANUAL, INSTRUCTION (Open MG Jukebox) (ITALIAN) (AEP)	
	3-236-743-81	MANUAL, INSTRUCTION (Open MG Jukebox) (PORTUGUESE) (AEP)	
	3-236-743-91	MANUAL, INSTRUCTION (Open MG Jukebox) (FINNISH) (AEP)	
	3-237-042-01	SOFT (CD-ROM), APPLICATION	
	3-238-089-11	MANUAL, INSTRUCTION (Open MG Jukebox) (TRADITIONAL CHINESE) (HK)	
	3-238-089-31	MANUAL, INSTRUCTION (Open MG Jukebox) (KOREAN) (KR)	
	3-238-322-11	MANUAL, INSTRUCTION (Open MG Jukebox) (TRADITIONAL CHINESE) (HK)	
	3-238-322-31	MANUAL, INSTRUCTION (Open MG Jukebox) (KOREAN) (KR)	
△ 501	1-476-857-11	ADAPTOR, AC (AC-ES305) (AEP, FR)	
△ 501	1-476-858-11	ADAPTOR, AC (AC-ES305) (UK, HK)	
△ 501	1-477-075-11	ADAPTOR, AC (AC-ES305) (KR)	
△ 502	1-476-915-11	CRADLE UNIT (BCA-WM20U) (SILVER)	
△ 502	1-476-915-21	CRADLE UNIT (BCA-WM20U) (BLUE)	
503	1-476-395-12	REMOTE CONTROL UNIT (RM-MC11EL)	
504	8-954-008-91	RECEIVER, EAR MDR-E808SP	
505	1-823-647-11	CORD, CONNECTION (USB)	
506	3-220-749-01	CASE, CARRYING (HK, KR)	
506	3-228-300-01	CASE, BELT CLIP CARRYING (AEP, UK, FR)	
507	1-756-194-21	BATTERY, NICKEL HYDROGEN	
508	3-043-060-01	CASE, CHARGE (C/D)	
509	1-251-895-11	BATTERY CASE	



The components identified by mark △ or dotted line with mark △ are critical for safety. Replace only with part number specified.

