

SONY®

Service Bulletin

NO:HIFI2-01-009

SUBJECT: "PROTECTED" Is Shown On The Display

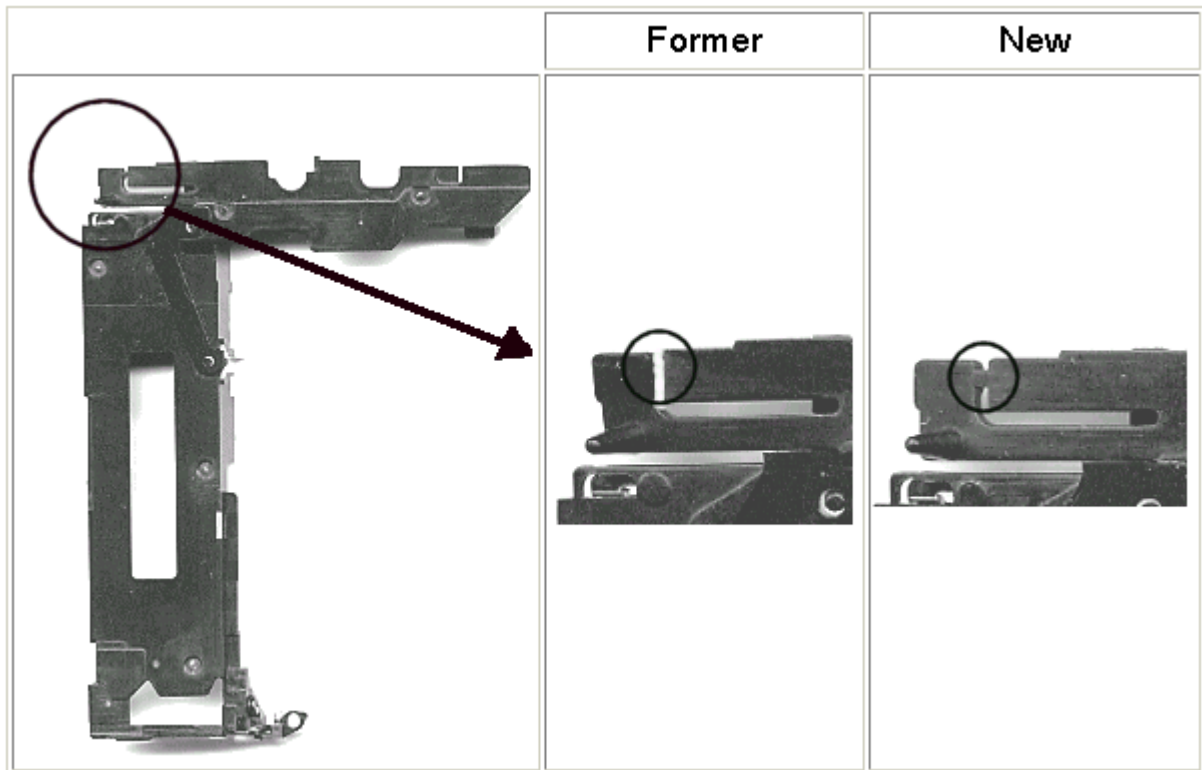
DATE: May 2001

MODEL (S): MZ-R90, MZ-R91

Symptom: "PROTECTED" is shown on the display and the recording and the editing is unable to do.

Solution: Replace the Battery Case Assy with the improved one.

Description	Former	New
CASE ASSY, BATTERY	X-4952-043-1	X-4952-043-5



GA00029

Sony of Canada Ltd.

115 Gordon Baker Road, Toronto, Ontario M2H-3R6
NATIONAL LAB - CONSUMER SERVICE