

SONY® Service Bulletin

NO: HIF12-99-012

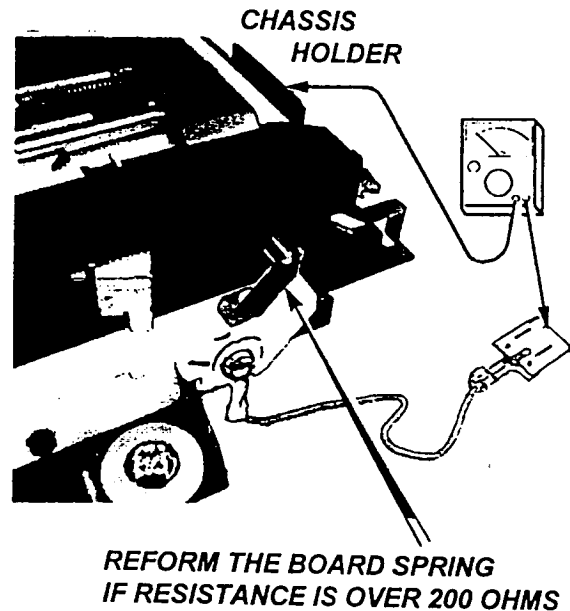
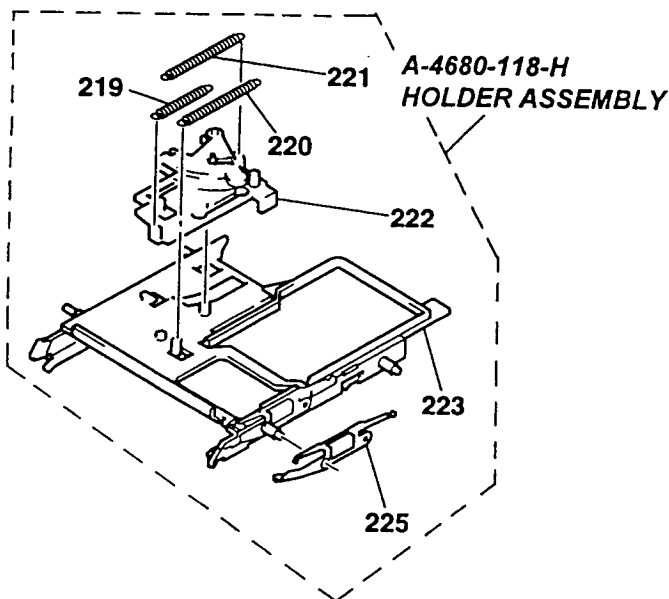
SUBJECT: ERROR MESSAGE "C-13 DISC ERROR" WHEN USING A NEW DISC

DATE: AUGUST 1999

MODEL (S): MDS-JB920/JE520

SYMPTOM: The customer complaint states the unit displays error message "C-13 Disc Error" when using a new disc.

SOLUTION: Replace the holder assy P/N (A-4680-118-H). After replacing the holder assembly test the continuity between the chassis at the holder Assy and the main board ground. (must be less than 200 ohms). If continuity reading is higher than 200 ohms reform the board spring (see picture).



SONAM 589
AU98049

Sony of Canada Ltd.

115 Gordon Baker Road, Toronto, Ontario M2H-3R6
NATIONAL LAB - CONSUMER SERVICE