

SONY® Service Bulletin

NO: ME3-99-009

SUBJECT: POOR DISPLAY LEGIBILITY

DATE: MAY 1999

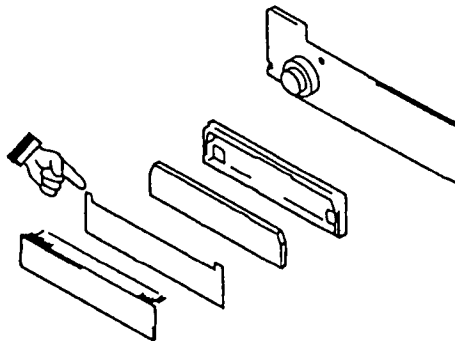
MODEL (S): MDX-C670

SYMPTOM: The display is hardly legible in bright sunlight.

CAUSE: Insufficient illumination.

SOLUTION: Replace the "Sheet (Diffusion)" with the improved part 3-020-025-01.

APPLICABLE MODELS: A10101 TO A11870



ME00298
ME97031

Sony of Canada Ltd.

115 Gordon Baker Road, Toronto, Ontario M2H-3R6
NATIONAL LAB - CONSUMER SERVICE