

Service Technical Information

MODEL NO. XR-H330MD
SUBJECT Sound leakage from the High-Tone speaker during the use of the headphone set

REF.No. :G - A0 - 085- E0

DATE :24. OCT. 2000

<CONTENTS>

When the volume is increased with the headphone set mounted, sounds may leak from the High-Tone speaker.

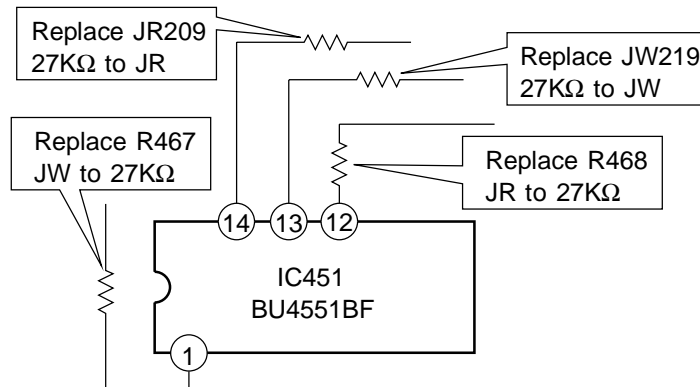
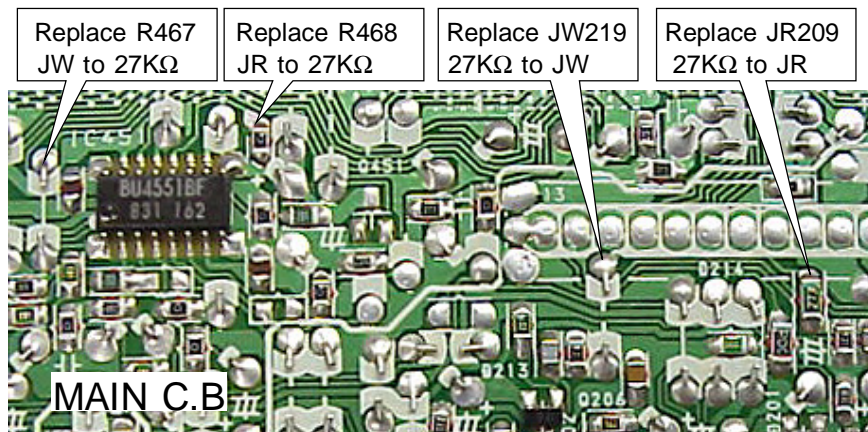
If the actual occurrence of this problem is reported, please undertake the following countermeasure:

<COUNTERMEASURE>

Replace the required components mounted on the MAIN C.B. The procedure is as follows:

- 1) Remove the jumper wire (JW) from the R467, and instead, mount a 27KΩ resistor.
- 2) Remove the chip jumper wire (JR) from the R468, and instead, mount a 27KΩ resistor.
- 3) Remove the JR209 27KΩ resistor, and instead, connect a chip jumper wire (JR).
- 4) Remove the JW219 27KΩ resistor, and instead, connect a jumper wire (JW).

*Use either suitable lead wires or conductors as the jumper wires.



Ref.	Parts Code	Description	Remarks
R467	88-121-273-080	RES,27K-1/8W J	-
R468	88-118-273-010	C-RES,27K-1/10 J	-

G	R	Code No.	Access Code	Modified Ser. No.	Parts Schedule
-	-	-	-	S****02*****~	01.DEC.2000