

MDS-JE700

SERVICE MANUAL

US Model
Canadian Model
AEP Model
UK Model



U.S. and foreign patents licensed from Dolby Laboratories Licensing Corporation.

Model Name Using Similar Mechanism	MDS-JE500
MD Mechanism Type	MDM-3A
Optical Pick-up Type	KMS-260A/J1N

SPECIFICATIONS

System	MiniDisc digital audio system
Disc	MiniDisc
Laser	Semiconductor laser ($\lambda = 780 \text{ nm}$) Emission duration: continuous
Laser output	Less than $44.6 \mu\text{W}^*$ * This output is the value measured at a distance of 200 mm from the objective lens surface on the Optical Pick-up Block with 7 mm aperture.
Laser diode properties	Material: GaAlAs
Revolutions (CLV)	400 rpm to 900 rpm
Error correction	Advanced Cross Interleave Reed Solomon Code (ACIRC)
Sampling frequency	44.1 kHz
Coding	Adaptive Transform Acoustic Coding (ATRAC)
Modulation system	EFM (Eight-to-Fourteen Modulation)
Number of channels	2 stereo channels
Frequency response	5 to 20,000 Hz $\pm 0.3 \text{ dB}$
Signal-to-noise ratio	Over 100 dB during playback
Wow and flutter	Below measurable limit

Inputs

	Jack type	Input impedance	Rated input	Minimum input
LINE (ANALOG) IN	Phono jacks	47 kilohms	500 mVrms	125 mVrms
DIGITAL OPTICAL IN1	Square optical connector jack	Optical wave length: 660 nm	—	—
DIGITAL OPTICAL IN2	Square optical connector jack	Optical wave length: 660 nm	—	—
DIGITAL COAXIAL IN	Phono jack	75 ohms	0.5 Vp-p, $\pm 20\%$	—

Outputs

	Jack type	Rated output	Load impedance
PHONES	Stereo phone jack	10 mW	32 ohms
LINE (ANALOG) OUT	Phono jacks	2 Vrms (at 50 kilohms)	Over 10 kilohms
DIGITAL OPTICAL OUT	Square optical connector jack	-18 dBm	Optical wave length: 660 nm

— Continued on next page —

MINIDISC DECK



SONY®

General

Power requirements

Where purchased	Power requirements
Continental Europe	220 – 230 V AC, 50/60 Hz
UK	220 – 240 V AC, 50/60 Hz
US, Canada	120 V AC, 60 Hz

Power consumption 17W

Dimensions (approx.) (w/h/d) incl. projecting parts

430 × 107.5 × 315 mm
(17 × 4 1/4 × 12 1/2 in.)

Mass (approx.) 4.4 kg (9 lbs 11 oz)

Supplied accessories

- Audio connecting cords (2)
- Optical cable (1)
- Remote commander (remote) RM-D9M (1)
- Sony SUM-3 (NS) batteries (2)

Design and specifications are subject to change without notice.

CAUTION

Danger of explosion if battery is incorrectly replaced.
Replace only with the same or equivalent type recommended by the equipment manufacturer.
Discard used batteries according to manufacture's instructions.

ADVARSEL!

Lithiumbatteri - Eksplosjonsfare ved feilagtig håndtering.
Udskiftning må kun ske med batteri af samme fabrikat og type.
Levér det brugte batteri tilbage til leverandøren.

ADVARSEL

Eksplosjonsfare ved feilaktig skifte av batteri.
Benytt samme batteritype eller en tilsvarende type anbefalt av apparatfabrikanten.
Brukte batterier katterier kasseres i henhold til fabrikantens

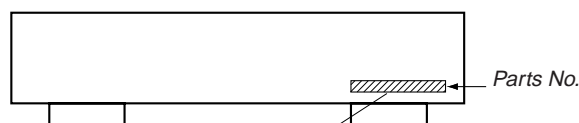
VARNIG

Explosionsfara vid felaktigt batteribyte.
Använd samma batterityp eller en likvärdig typ som rekommenderas av apparattillverkaren.
Kassera använt batteri enligt gällande föreakrifter.

VAROITUS

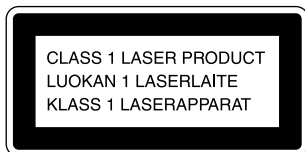
Parist voi räjähtää, jos se on virheellisesti asennettu.
Vaihda paristo ainoastaan laitevalmistajan suosittelemaan tyyppiin.
Hävitä käytetty paristo valmistajan ohjeiden mukaisesti.

MODEL IDENTIFICATION — BACK PANEL —



Parts No.	MODEL
4-985-444-1 □	AEP model
4-985-444-2 □	UK model
4-985-444-3 □	US model
4-985-444-4 □	Canadian model

The laser component in this product is capable of emitting radiation exceeding the limit for Class 1.



This appliance is classified as a CLASS 1 LASER product. The CLASS 1 LASER PRODUCT MARKING is located on the rear exterior.

The following caution label is located inside the unit.

CAUTION	; INVISIBLE LASER RADIATION WHEN OPEN. AVOID EXPOSURE TO BEAM.
ADVARSEL	; USYNLIG LASERSTRÅLING VED ÅBNING NÅR SIKKERHEDSÅFBRYDEDE ER UDE AF FUNKTION. UNDGÅ UDSÆTTELSE FOR STRÅLING.
VARO!	; AVATTAESSA JA SUOJALUKITUS OHITETTAESSA DLET ALTIINA LASERSÄTELYLLE.
VARNING	; LASERSTRÅLING NÅR DENNA DEL ÄR ÖPPNAD OCH SPÄRREN ÄR URKOPPLAD.
ADVARSEL	; USYNLIG LASERSTRÅLING NÅR DEKSEL ÅPNES UNNGÅ EKSPONERING FOR STRÅLEN.

CAUTION

Use of controls or adjustments or performance of procedures other than those specified herein may result in hazardous radiation exposure.

Notes on chip component replacement

- Never reuse a disconnected chip component.
- Notice that the minus side of a tantalum capacitor may be damaged by heat.

Flexible Circuit Board Repairing

- Keep the temperature of soldering iron around 270°C during repairing.
- Do not touch the soldering iron on the same conductor of the circuit board (within 3 times).
- Be careful not to apply force on the conductor when soldering or unsoldering.

SAFETY CHECK-OUT

After correcting the original service problem, perform the following safety checks before releasing the set to the customer: Check the antenna terminals, metal trim, “metallized” knobs, screws, and all other exposed metal parts for AC leakage. Check leakage as described below.

LEAKAGE

The AC leakage from any exposed metal part to earth Ground and from all exposed metal parts to any exposed metal part having a return to chassis, must not exceed 0.5 mA (500 microamperes). Leakage current can be measured by any one of three methods.

1. A commercial leakage tester, such as the Simpson 229 or RCA WT-540A. Follow the manufacturers’ instructions to use these instruments.
2. A battery-operated AC milliammeter. The Data Precision 245 digital multimeter is suitable for this job.
3. Measuring the voltage drop across a resistor by means of a VOM or battery-operated AC voltmeter. The “limit” indication is 0.75 V, so analog meters must have an accurate low-voltage scale. The Simpson 250 and Sanwa SH-63Trd are examples of a passive VOM that is suitable. Nearly all battery operated digital multimeters that have a 2V AC range are suitable. (See Fig. A)

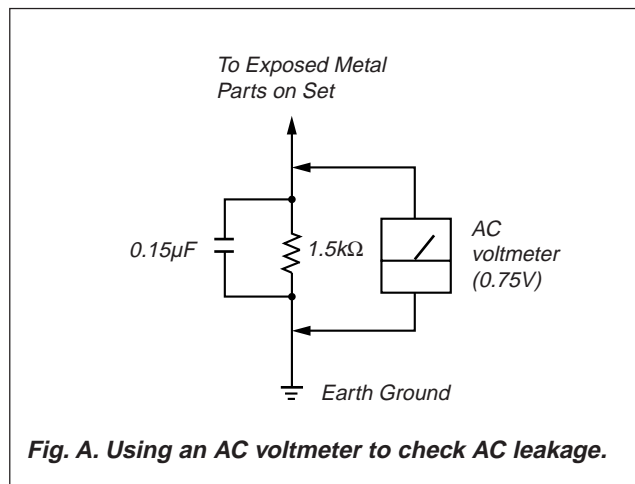


Fig. A. Using an AC voltmeter to check AC leakage.

SAFETY-RELATED COMPONENT WARNING !!

COMPONENTS IDENTIFIED BY MARK \triangle OR DOTTED LINE WITH MARK \triangle ON THE SCHEMATIC DIAGRAMS AND IN THE PARTS LIST ARE CRITICAL TO SAFE OPERATION. REPLACE THESE COMPONENTS WITH SONY PARTS WHOSE PART NUMBERS APPEAR AS SHOWN IN THIS MANUAL OR IN SUPPLEMENTS PUBLISHED BY SONY.

ATTENTION AU COMPOSANT AYANT RAPPORT À LA SÉCURITÉ!!

LES COMPOSANTS IDENTIFIÉS PAR UNE MARQUE \triangle SUR LES DIAGRAMMES SCHÉMATIQUES ET LA LISTE DES PIÈCES SONT CRITIQUES POUR LA SÉCURITÉ DE FONCTIONNEMENT. NE REMPLACER CES COMPOSANTS QUE PAR DES PIÈCES SONY DONT LES NUMÉROS SONT DONNÉS DANS CE MANUEL OU DANS LES SUPPLÉMENTS PUBLIÉS PAR SONY.

TABLE OF CONTENTS

1. SERVICING NOTE	5
2. GENERAL	8
3. DISASSEMBLY	
3-1. Case and Front Panel Assembly	24
3-2. Bracket (T), (L) and (R)	24
3-3. BD Board	25
3-4. SUB Chassis	25
3-5. Shutter Assembly	26
3-6. Over Write Head	26
3-7. Slider Complete Assembly	27
4. TEST MODE	28
5. ELECTRICAL ADJUSTMENTS	31
6. DIAGRAMS	
6-1. Circuit Boards Location	36
6-2. Brock Diagrams	
• BD Section	37
• Main Section	39
6-3. Waveforms	41
6-4. Printed Wiring Board — BD Section —	43
6-5. Schematic Diagram — BD Section —	45
6-6. Schematic Diagram — Main Section —	49
6-7. Printed Wiring Board — Main Section —	53
6-8. Printed Wiring Board — Panel Section —	55
6-9. Schematic Diagram — Panel Section —	57
6-10. Printed Wiring Board — HP Section —	59
6-11. Schematic Diagram — HP Section —	60
6-12. IC Block Diagrams	61
6-13. IC Pin Functions	67
7. EXPLODED VIEWS	
7-1. Case and Main Board Section	76
7-2. Front Panel Section	77
7-3. Mechanism Deck Section (1) (MDM-3A)	78
7-4. Mechanism Deck Section (2) (MDM-3A)	79
8. ELECTRICAL PARTS LIST	80

SECTION 1 SERVICING NOTE

JIG FOR CHECKING BD BOARD WAVEFORM

The special jig (J-2501-124-A) is useful for checking the waveform of the BD board. The names of terminals and the checking items to be performed are shown as follows.

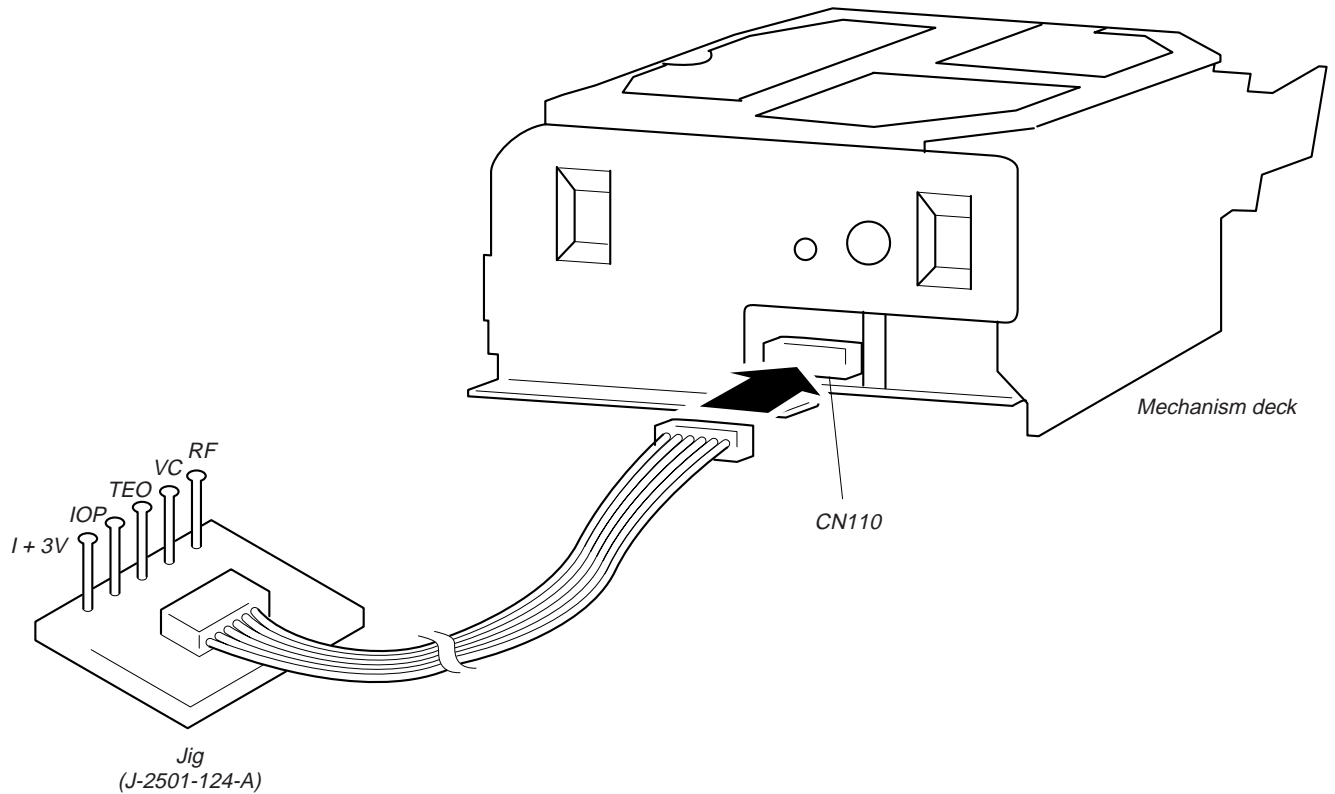
I+3V : For measuring IOP (Check the deterioration of the optical pick-up laser)

IOP : For measuring IOP (Check the deterioration of the optical pick-up laser)

TEO : TRK error signal (Traverse adjustment)

VC : Reference level for checking the signal

RF : RF signal (Check jitter)



FORCED RESET

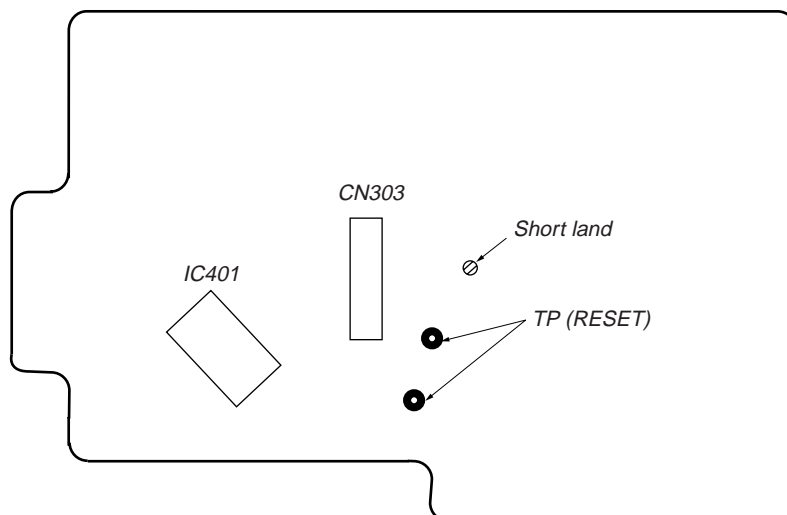
The system microprocessor can be reset in the following way.

Use these methods when the unit cannot be operated normally due to the overrunning of the microprocessor, etc.

Method :

Disconnect the power plug, short-circuit the land of RESET.

[MAIN BOARD] (Conductor Side)



RETRY CAUSE DISPLAY MODE

- In this test mode, the causes for retry of the unit during recording can be displayed on the fluorescent display tube. This is useful for locating the faulty part of the unit.
- The data amount stored in D RAM, number of retries, and retry cause are displayed. Each is displayed in hexadecimal number.
- The display of the D RAM data amount enables data reading, accumulation, ejection, and writing to be performed smoothly. If writing is not smooth, data may decrease considerably.

Method:

1. Load a recordable disc whose contents can be erased into the unit.
2. Press the EDIT/NO button several times to display "All Erase?" on the fluorescent display tube.
3. Press the YES button.
4. When "All Erase??" is displayed on the fluorescent display tube, the numbers on the music calendar will start blinking.
5. Press the YES button to display "Complete", and press the ■ button immediately and continue pressing for about 10 seconds.
6. When the "TOC" displayed on the fluorescent display tube goes off, release the ■ button.
7. Press the ● REC button to start recording.
8. Press the DISPLAY button to display the test mode (Fig. 1), and check the display.
9. The Rt value increases with each retry. If an error occurs after a retry, "Retry Error" will be displayed, and the number of retries counted will be set back to 0.
10. To exit the test mode, press the POWER button. Turn OFF the power, and after "TOC" disappears, disconnect the power plug from the outlet.

Fig. 1 Reading the Test Mode Display

SC @@ Rt ## **

Fluorescent Display Tube Signs

@@ : Displays the DRAM memory amount when at all times.

: Displays the number of retries. When a retry error occurs, the number will be set back to 0.

** : Cause of retry

All three displays above are in hexadecimal numbers.

Reading the Retry Cause Display

	Higher Bits				Lower Bits				Hexa- decimal	Cause of Retry	Occurring conditions
Hexadecimal	8	4	2	1	8	4	2	1			
Bit	b7	b6	b5	b4	b3	b2	b1	b0			
Binary	0	0	0	0	0	0	0	0	00	Spindle is slow	When spindle rotation is detected as slow
	0	0	0	0	0	0	0	1	01	shock *1	When more than 3.5 shocks are detected
	0	0	0	0	0	0	1	0	02	ader5	When ADER was counted more than five times continuously
	0	0	0	0	0	1	0	0	04	Discontinuous address	When ADIP address is not continuous
	0	0	0	0	1	0	0	0	08	(Not used)	(Not used)
	0	0	0	1	0	0	0	0	10	FCS incorrect	When not in focus
	0	0	1	0	0	0	0	0	20	IVR rec error	When ABCD signal level exceeds the specified range
	0	1	0	0	0	0	0	0	40	CLV unlock	When CLV is unlocked
	1	0	0	0	0	0	0	0	80	Access fault	When access operation is not performed normally

*1 Some displays are not used depending on the microprocessor version.

Reading the Display:

Convert the hexadecimal display into binary display. If more than two causes, they will be added.

Example

When 42 is displayed:

Higher bit : 4 = 0100 → b6

Lower bit : 2 = 0010 → b1

In this case, the retry cause is combined of “CLV unlock” and “ader5”.

When A2 is displayed:

Higher bit : A = 1010 → b7+b5

Lower bit : 2 = 0010 → b1

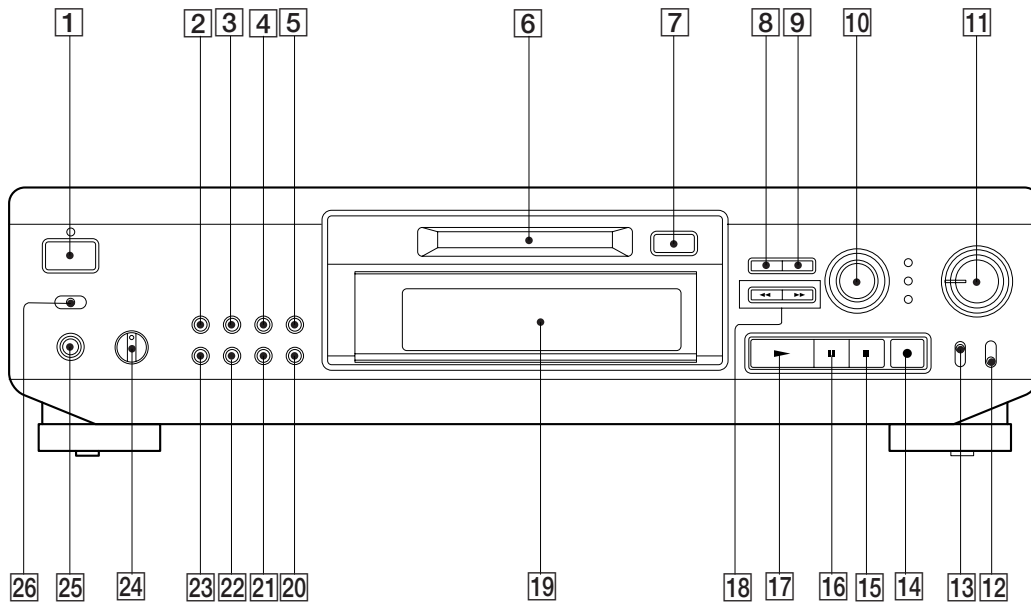
The retry cause in this case is combined of “access fault”, “IVR rec error”, and “ader5”.

Hexadecimal → Binary Conversion Table

Hexadecimal	Binary	Hexadecimal	Binary
0	0000	8	1000
1	0001	9	1001
2	0010	A	1010
3	0011	B	1011
4	0100	C	1100
5	0101	D	1101
6	0110	E	1110
7	0111	F	1111

SECTION 2 GENERAL

Location of Parts and Controls



- | | |
|--|--|
| <p>1 POWER switch</p> <p>2 SCROLL/CLOCK SET button</p> <p>3 CHAR button</p> <p>4 CLEAR button</p> <p>5 DISPLAY button</p> <p>6 Disc compartment</p> <p>7 ≡ EJECT button</p> <p>8 EDIT/NO button</p> <p>9 YES button</p> <p>10 AMS knob</p> <p>11 REC LEVEL knob</p> <p>12 INPUT switch</p> <p>13 REC MODE switch</p> | <p>14 ● (recording) button</p> <p>15 ■ (stop) button</p> <p>16 (pause) button</p> <p>17 ► (play) button</p> <p>18 ◀▶ (fast backward/forward) buttons</p> <p>19 Display window</p> <p>20 REPEAT button</p> <p>21 PROGRAM button</p> <p>22 SHUFFLE button</p> <p>23 CONTINUE button</p> <p>24 PHONE LEVEL knob</p> <p>25 PHONES jack</p> <p>26 TIMER switch</p> |
|--|--|

About the CONTROL A1 Control System

This MD deck is compatible with the CONTROL A1 Control System. The CONTROL A1 Control System was designed to simplify the operation of audio systems composed of separate Sony components. CONTROL A1 connections provide a path for the transmission of control signals which enable automatic operation and control features usually associated with integrated systems.

Currently, CONTROL A1 connections between a Sony MD deck, CD player, amplifier (receiver), and cassette deck provide automatic function selection and synchronized recording.

In the future the CONTROL A1 connection will work as a multifunction bus allowing you to control various functions for each component.

Note

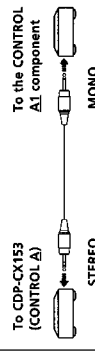
The CONTROL A1 Control System is designed to maintain upward compatibility as the Control System is upgraded to handle new functions. In this case, however, older components will not be compatible with the new functions.

Connecting the CDP-CX153 CD player

Although the CDP-CX153 is equipped with a CONTROL A terminal, it can be connected to CONTROL A1 components using a special connecting cord*.

The CDP-CX151 however, cannot be connected to CONTROL A1.

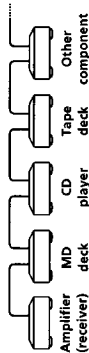
* Use the Sony RK-G139HG (1 meter) monaural mini-plug ↔ stereo mini-plug connecting cord or a similar cord (less than 2 meters long with no resistance).



Be sure to connect the STEREO mini-plug to the CONTROL A component and the MONO mini-plug to the CONTROL A1 component.

Connecting the CONTROL A1 Control System

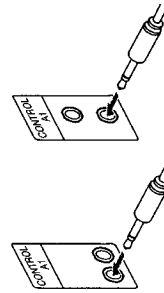
- Connect the CONTROL A1 cords in series to the CONTROL A1 jacks on the back of each component. Be sure to connect a CONTROL A1 compatible amplifier (receiver) to take advantage of the automatic function selection feature.



- The components can be connected in any order.
- You can connect up to ten CONTROL A1 compatible components.
- The CONTROL A1 functions will work in the component you want to operate is turned on, even if all of the connected components are not turned on.
- As a rule, the CONTROL A1 remote control system should not incorporate more than one of each type of component (i.e., 1 MD deck, 1 CD player, 1 tape deck and 1 receiver). You may, however, be able to connect more than one of certain CD players. Refer to the operating instructions supplied with the respective component for details.

About the CONTROL A1 cord

- Use a commercially available 2P (mono) mini-plug cord less than 2 meters long, with a maximum outer diameter no greater than 11 mm, and no resistance (like the Sony RK-G69HG). Some CONTROL A1 compatible components are supplied with a CONTROL A1 cord as an accessory.
- If a component has more than one CONTROL A1 jack, you can use either one, or connect a different component to each jack.



Basic Functions of the CONTROL A1 Control System

Automatic function selection

When you connect CONTROL A1 compatible Sony components using CONTROL A1 cords, the function selector on the amplifier (or receiver) automatically switches to the correct input when you press the Play button on one of the connected components.

Notes

- This function only works when the components are connected to the amplifier (or receiver) inputs according to the names on the function buttons. Certain receivers allow you to switch the names of the function buttons. In this case, refer to the operating instructions supplied with the receiver.
- When recording, do not play any components other than the recording source. It will cause the automatic function selection to operate.

Synchronized recording

This function lets you conduct synchronized recording between the MD deck and selected source component.

- Set the source selector on the amplifier (or receiver) to the source component.
- Set the source component to pause mode (make sure both the **▶** and **■** indicators light together).
- Set the deck to recording pause mode.
- Press **■** on the deck.

The source component is released from the pause mode, and recording begins shortly thereafter. When playback ends from the source component, recording stops.

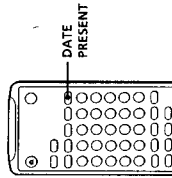
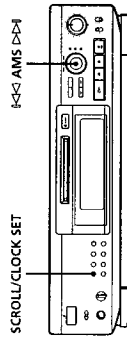
Notes

- Do not set more than one component to the pause mode.
- This MD deck is equipped with a special synchronized recording function that uses the CONTROL A1 Control System (see "Synchro-Recording with a Sony CD Player" on page 17).

Setting the Clock

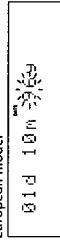
Once you set the MD deck's internal clock, the MD deck will automatically record the date and time of all recordings. When playing a track, you can display the date and time the track was recorded (see page 20). Time on the European model is displayed in a 24-hour clock.

Time on the Canadian model is displayed in a 12-hour clock.

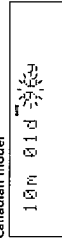


- With the deck in standby (POWER indicator lights up red), press SCROLL/CLOCK SET down for about 2 seconds until the year indication in the display starts flashing.

European model



Canadian model



(Continued)

- 2 Turn AMS to enter the current year, then press AMS.

The year indication stops flashing, and the month indication starts flashing.

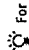
European model
01d 96y

Canadian model
01d 96y

- 3 Repeat Step 2 to enter the month, day, hour, and minute.

European model
TUE 09:10

Canadian model
TUE 09:10 AM

-  For precise time and date stamping of recordings, reset the time at least once a week.

Note
If you disconnect the AC power cord for a long time, the memorized settings will disappear, and "STANDBY" will flash in the display the next time you plug in and turn on the deck. If this happens, reset the clock.

Displaying the current date and time

You can display the time even when the deck is on or in standby.

Press DATE PRESENT on the remote.

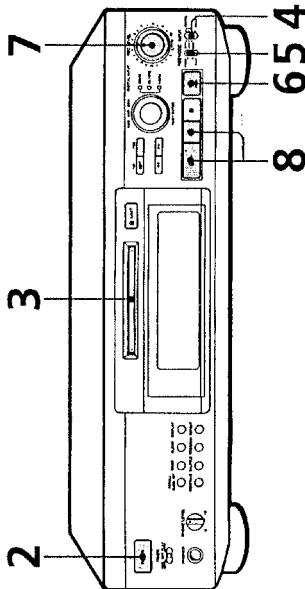
Each press of the button changes the display as follows:

→ Current display → Date → Time

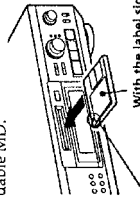
If you press the button once, the date and the time appear sequentially for about 2 seconds each, then the current display reappears.

In standby, you can press either DATE PRESENT on the remote or SCROLL/CLOCK SET on the front panel to display the time and the date as described above.

Recording on an MD



- 1 Turn on the amplifier and play the program source you want to record.
- 2 Press POWER. The POWER indicator changes from red to green.
- 3 Insert a recordable MD.



With the arrow pointing this way

If the MD has a recorded material on it, the deck will automatically start recording from the end of the last recorded track.

- 4 Set INPUT to the corresponding input connector.

To record through	Set INPUT to
DIGITAL OPTICAL IN1	OPT1
DIGITAL OPTICAL IN2	OPT2
DIGITAL COAXIAL IN	COAX
LINE (ANALOG) IN	ANALOG

Monitor audio during recording
Even if you set REC MODE to MONO, the monitor signal does not become monaural.

- 5 Set REC MODE to the mode you want to record in.

To record in	Set REC MODE to
Stereo sound	STEREO
Monaural sound*	MONO

* In the monaural recording, you can record about two times longer than in the stereo recording.

(Continued)

Playing an MD

- 6 Press ● REC.
The deck becomes ready to record.
- 7 When recording the analog input signal, adjust the recording level with REC LEVEL.
The fourth dot is satisfactory for most purposes. For details, refer to "Adjusting the Recording Level" on page 14.
- 8 Press ▷ or ■.
Recording starts.
- 9 Start playing the program source.

When "TOC" flashes in the display

The deck is currently updating the Table Of Contents (TOC). Do not move the deck or pull out the AC power cord. Changes to an MD made through recording are saved only when you update the TOC by ejecting the MD or changing the deck to standby by pressing POWER.

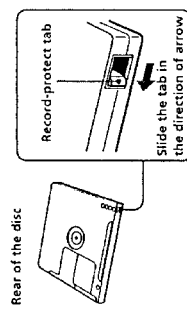
Do not disconnect the deck from the power source immediately after recording
If you do, recorded material may not be saved to the MD. To save the material, after recording, press EJECT to take out the MD or change the deck to standby by pressing POWER. "TOC" will flash in the display at this time. After "TOC" stops flashing and goes out, you can pull out the AC power cord.

- To
- Stop recording ■ Press
- Pause recording* ■ Press the button again or press ▷ to resume recording.
- Take out the MD ≡ EJECT after stopping recording

* Whenever you pause recording, the track number increases by one. For example, if you paused recording while recording on track 4, the track number increases by one and recording continues on the new track when restarted.

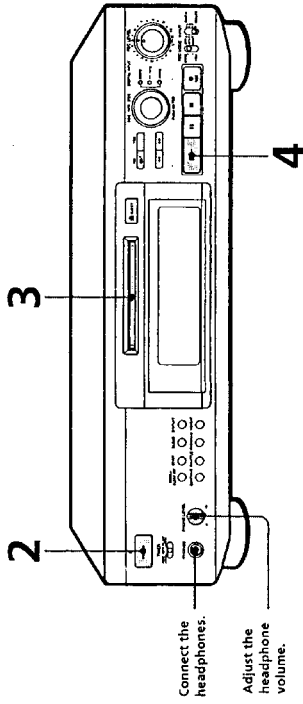
To protect an MD against accidental erasure

To make it impossible to record on an MD, slide the tab in the direction of arrow, opening the slot. To allow recording, close the slot.



Note

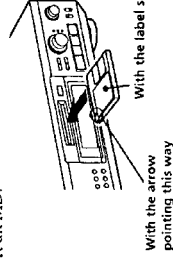
If you switch REC MODE during recording or recording, pause, recording stops.



Connect the headphones.

Adjust the headphone volume.

- 1 Turn on the amplifier and set the source selector to the position for MD deck.
- 2 Press POWER.
The POWER indicator changes from red to green.
- 3 Insert an MD.



- 4 Press ▷.
The deck starts playing. Adjust the volume on the amplifier.

To	Do the following:
Stop playing	Press ■.
Pause playing	Press ■. Press the button again or press ▷ to resume playing.
Go to the next track	Turn AMS clockwise (or press ► on the remote).
Go to the preceding track	Turn AMS counterclockwise (or press ◀ on the remote).
Take out the MD	Press ≡ EJECT after stopping playing.

You can locate and play back a track while the deck is stopped

- 1 Turn AMS (or press ◀ or ►) until the number of the track you want to play appears.
- 2 Press AMS or ▷.

You use headphones

Connect them to PHONES jack. Use PHONE LEVEL to adjust the volume.

Notes on Recording

If "Protected" appears in the display, the MD is record-protected. Close the slot to record on the disc (see "To protect an MD against accidental erasure" on page 10).

- If "Din Unlock" flashes in the display
 - The digital program source is not connected as you set with INPUT in Step 4 on page 9.
 - To continue, connect the program source properly.
 - The program source is not on.
 - Turn on the program source.

Depending on source being recorded, track numbers are marked in following ways:

- When recording from a CD or MD with INPUT set to digital input and the source connected through the respective digital input connector:
 - The deck automatically marks track numbers in the same sequence as the original. If, however, a track is repeated two or more times (e.g. by single-track repeat play) or two or more tracks with the same track number (e.g. from different MDs or CDs) are played, the track or tracks are recorded as part of a single, continuous track with a single track number.
 - If the source is an MD, track numbers may not be marked for tracks of less than 4 seconds.
 - When recording from source connected through LINE (ANALOG IN with INPUT at ANALOG, and "LEVEL-SYNC" does not light up (see "Marking Track Numbers while Recording" on page 15) or when recording from DAT or satellite broadcasts connected through a digital input cable with INPUT set to digital input:
 - The source will be recorded as a single track. You can divide the track afterwards using the Divide Function (see "Dividing Recorded Tracks" on page 29) or mark track numbers during recording by using the Track Marking Function on page 15.
 - If "LEVELSYNC" appears in the display, the deck automatically marks track numbers when recording analog source or digital recording of DAT or satellite broadcasts (see "Marking track numbers automatically" on page 15).
 - When recording from DAT or satellite broadcasts with INPUT set to digital input, the deck automatically marks a track number whenever the sampling frequency of the input signal changes.

When "TOC" flashes in the display
The deck is currently updating the Table Of Contents (TOC). Do not move the deck or pull out the AC power cord. Changes to an MD made through recording are saved only when you update the TOC by ejecting the MD or changing the deck to standby by pressing POWER.

The MD deck uses the SCMS (Serial Copy Management System on page 37)

MDs recorded through digital input connector cannot be copied onto other MDs or DAT tapes through the digital output connector.

When recording digital signals that have been emphasized (in the higher frequencies)

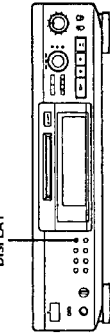
The signal is automatically de-emphasized (with attenuation proportional to the degree of emphasis) and the level of the de-emphasized signal is indicated on the peak level meters.

When the deck is recording or in recording pause, digital signals input through DIGITAL OPTICAL IN1, IN2 or DIGITAL COAXIAL IN are output to DIGITAL OPTICAL OUT with the same sampling rate.

To change the digital input signal to another sampling rate for output (without recording it to an MD), use Input Monitor Function (see page 13).

Useful Tips for Recording

DISPLAY



Checking the remaining recordable time on the MD

- When you press DISPLAY while recording, the remaining recordable time on the MD appears.
- When you press DISPLAY repeatedly while the deck is stopped, the display changes as follows: total recorded time, remaining recordable time on the MD, disc name (see page 19).

If "Smart Space" appears in the display (Smart Space)

There has been an extended silence of 4 to 30 seconds in length when INPUT is set to digital input and the source is connected through the respective digital input connector. The silence is replaced with a blank of about 3 seconds and the deck continues recording.

To turn off the Smart Space Function and Auto Cut Function

- During recording pause, press EDIT/NO repeatedly until "S. Space ?" appears in the display.
- Press YES.
- Press EDIT/NO to display "S. Space OFF."

To turn on the Smart Space Function and Auto Cut Function again

- During recording pause, press EDIT/NO repeatedly until "S. Space ?" appears in the display.
- Press YES twice to display "S. Space ON".

Notes

- When you turn off the Smart Space Function, the Auto Cut Function is also turned off automatically.
- The Smart Space Function and Auto Cut Function are factory set to on.
- The Smart Space Function does not affect the order of the track numbers being recorded, even if the blank space occurs in the middle of a track.
- If you turn off the deck or disconnect the AC power cord, the deck will recall the last setting (on or off) of the Smart Space and Auto Cut Functions the next time you turn on the deck.

Playing back tracks just recorded

Do this procedure to immediately play back tracks that have just been recorded.

- Press Δ immediately after stopping recording.
Playback starts from the first track of the material just recorded.

To play from the first track of the MD after recording

- Press \blacksquare again after stopping recording.
 - Press Δ .
- Playback starts from the first track of the MD.

Monitoring the input signal (Input Monitor)

Before starting recording, you can monitor the selected input signal through the deck's output connectors.

- Press Δ EJECT to remove the MD.
- Set INPUT according to the input signal you want to monitor.

When INPUT is at ANALOG
The analog signal input through LINE (ANALOG IN) is output to DIGITAL OPTICAL OUT after A/D conversion, and then to the LINE (ANALOG) OUT connectors and PHONES jack after D/A conversion.

When INPUT is at digital input
The digital signal input through DIGITAL OPTICAL IN1, IN2 or DIGITAL COAXIAL IN is output to DIGITAL OPTICAL OUT after passing through the sampling rate converter, and then to the LINE (ANALOG) OUT connectors and PHONES jack after D/A conversion. Depending on the input signal, one of the DIGITAL INPUT indicators (32 kHz, 44.1 kHz, or 48 kHz) lights up.

Note

Even if you set REC MODE to MONO, the monitor signal does not become monaural.

- Press \bullet REC.

If INPUT is at ANALOG, "AD-DA" appears in the display.

If INPUT is at digital input, "-DA" appears in the display.

If "Auto Cut" appears in the display (Auto Cut)

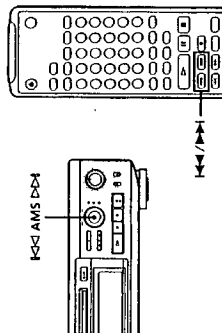
There has been no sound input for 30 seconds while INPUT is set to digital input and the source is connected through the respective digital input connector. The 30 seconds of silence are replaced by a blank of about 3 seconds and the deck changes to recording pause.

You can turn off the Auto Cut Function

For details, see "If "Smart Space" appears in the display".

Recording Over Existing Tracks

Follow the procedure below to record over existing material just as you would on an analog cassette tape.



- 1 Do Steps 1 to 5 in "Recording on an MD" on page 9.
- 2 Turn AMS (or press **◀** or **▶**) until the number of the track to be recorded over appears.
- 3 To record from the start of the track, continue from Step 6 in "Recording on an MD" on page 10.

Note
While "TRACK" flashes in the display the deck is recording over an existing track, and stops flashing when it reaches the end of the recorded portion.

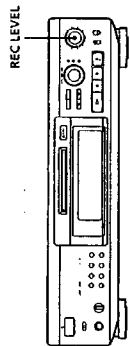
- To record from the middle of the track**
- 1 After Step 2 above, press **▶** to start playback.
 - 2 Press **II** where you want to start recording.
 - 3 Continue from Step 6 in "Recording on an MD" on page 10.

Note
You cannot record from the middle of an existing track when the "PROGRAM" or "SHUFFLE" is on.

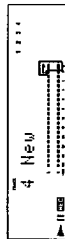
Adjusting the Recording Level

When recording with INPUT at ANALOG and the signal input through LINE (ANALOG) IN jacks, use REC LEVEL to adjust the recording level before starting recording.

You cannot adjust the recording level during digital recording.



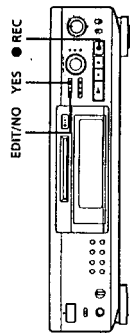
- 1 Do Steps 1 to 6 in "Recording on an MD" on pages 9 and 10.
- 2 Play the portion of the program source with the strongest signal level.
- 3 While monitoring the sound, turn REC LEVEL to adjust the recording level so that the peak level meters reach their highest point without turning on the OVER indication. Occasional lighting of "OVER" is acceptable.



- 4 Stop playing the program source.
- 5 To start recording, do the procedure starting from Step 6 in "Recording on an MD" on page 10.

Marking Track Numbers while Recording (Track Marking)

You can mark track numbers either manually or automatically. By marking track numbers at specific points, you can quickly locate the points later using the AMS Function or Editing Functions.



Marking track numbers manually (Manual Track Marking)

You can mark track numbers at any time while recording on an MD.

- 1 Press **● REC** at the place you want to add a track mark while recording.

Marking track numbers automatically (Automatic Track Marking)

The deck adds track marks differently in the following cases:

- When recording from CDs or MDs with INPUT at digital input and the source connected through the respective digital input connector:
- The deck marks track numbers automatically. When you record from a CD or MD, the track numbers are marked as they are found on the original.
- When recording with INPUT at ANALOG and the source connected through LINE (ANALOG) IN, or when recording from DAT or satellite broadcasts with INPUT at digital input and the DAT or satellite broadcasts connected through the respective digital input connector:
- The deck marks a new track number whenever the signal level drops and rises to a certain point* (Automatic Track Marking). If "LEVEL-SYNC" does not light up, set the LevelSync to ON as follows:

- 1 Press EDIT/NO to display "LevelSync ?" during recording or recording pause.
- 2 Press YES twice to display "LevelSync ON." "LEVEL-SYNC" appears in the display.

To cancel Automatic Track Marking

- 1 Press EDIT/NO during recording or recording pause. "LevelSync ?" appears in the display.
 - 2 Press YES.
 - 3 Press EDIT/NO. "LevelSyncOFF" appears in the display.
- * The signal level must remain low for 2 or more seconds before a new track number is marked.

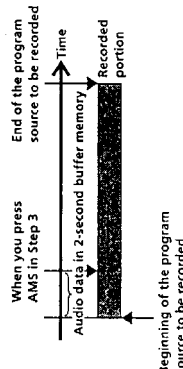
Note
When you want to mark track numbers after you've finished recording, use the Divide Function (see "Dividing Recorded Tracks" on page 28).

Note

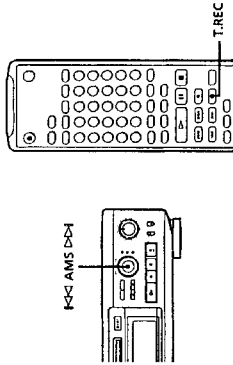
If you turn off the deck or disconnect the AC power cord, the deck will recall the last setting (LevelSync on or off) of the Automatic Track Marking Function the next time you turn on the deck.

Starting Recording with 2 Seconds of Prestored Audio Data (Time Machine Recording)

When recording from an FM or satellite broadcast, the first few seconds of material are often lost due to the time it takes you to ascertain the contents and press the record button. To prevent the loss of this material, the Time Machine Recording Function constantly stores 2 seconds of the most recent audio data in a buffer memory so that when you begin recording the program source, the recording actually begins with the 2 seconds of audio data stored in the buffer memory in advance, as shown in the illustration below:



(Continued)



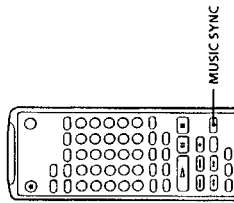
- 1 Do Steps 1 to 6 in "Recording on an MD" on pages 9 and 10.
The deck changes to recording pause.
- 2 Start playing the program source you want to record.
The most recent 2 seconds of audio data is stored in the buffer memory.
- 3 Press AMS (or T.REC) to start Time Machine Recording.
Recording of the program source starts with the 2 seconds of audio data stored in the buffer memory.

To stop Time Machine Recording
Press ■.

Note
The deck starts storing audio data when the deck is in recording pause and you start playing the program source. With less than 2 seconds of playing of the program source and audio data stored in the buffer memory, Time Machine Recording starts with less than 2 seconds of audio data.

Synchro-Recording with Audio Equipment of Your Choice

By using the MUSIC SYNC button on the remote, you can automatically start recording in sync with the signal input from the program source through the LINE (ANALOG) IN jacks or the respective digital input connector (Music Synchro-Recording). The method of marking track numbers differs, depending on the program source being recorded and how the deck is connected to the program source. (See "Notes on Recording" on page 12.)



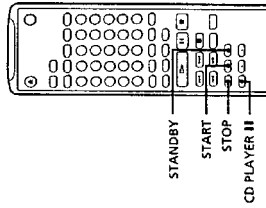
- 1 Do Steps 1 to 5 in "Recording on an MD" on page 9.
- 2 Press MUSIC SYNC.
The deck changes to recording pause.
- 3 Start playing the program source you want to record.
The deck starts recording automatically.

To stop Music Synchro-Recording
Press ■.

Note
When Music Synchro-Recording, the Smart Space Function and the Auto Cut Function turn on automatically regardless of their setting (ON or OFF) and type of input (digital or analog).

Synchro-Recording with a Sony CD Player

By connecting your deck to a Sony CD player or Hi-Fi Component System, you can easily dub CDs onto MDs using the CD synchro buttons on the remote. If your deck is connected to a Sony CD player by a digital input cable, track numbers are automatically marked as appear on the original regardless of whether "LevelSync ON" or "LevelSyncOFF" is selected. If your deck is connected to a Sony CD player by audio connecting cords through LINE (ANALOG) IN, track numbers are automatically marked when you select "LevelSync ON" (see "Marking Track Numbers While Recording" on page 15).
As the same remote controls both the CD player and the deck, you may have trouble operating both units if they are far from each other. If you do, place the CD player close to this deck.



- 1 Set the source selector on the amplifier to CD.
- 2 Do Steps 2 to 5 in "Recording on an MD" on page 9 to prepare the deck for recording.
- 3 Insert a CD into the CD player.
- 4 Select the playback mode (Shuffle Play, Program Play, etc.) on the CD player.
- 5 Press STANDBY.
The CD player pauses for playing and the deck pauses for recording.

You can check the remaining recordable time on the MD
Press DISPLAY (see page 19).

- 6 Press START.
The deck starts recording and the CD player starts playback.
The track number and elapsed recording time of the track appear in the display.
If the CD player does not start playing
Some CD player models may not respond when you press START on the remote of the deck. Press II on the remote of the CD player instead.

- 7 Press STOP to stop synchro-recording.

To pause recording
Press STANDBY or CD PLAYER II.
To restart recording, press START or CD PLAYER II.
A new track number is marked each time you pause recording.

Note
When synchro-recording, set the mode selector of the remote of the CD player to CD1.

You can use the remote of the CD player during synchro-recording

When you press ■, the CD player stops and the deck pauses for recording.
When you press II, the CD player pauses and the deck pauses for recording.
To restart synchro-recording, press ▷.

You can change CDs during synchro-recording

- Do the following steps instead of Step 7 above.
- 1 Press ■ on the remote of the CD player.
The deck pauses for recording.
 - 2 Change the CD.
 - 3 Press ▷ on the remote of the CD player.
Synchro-recording restarts.

You can also do synchro-recording with a Sony video CD player

Using the procedure for synchro-recording with a Sony CD player, you can do synchro-recording with a Sony video CD player also.
To select the video CD player, press button number 2 while pressing down the POWER button before starting the procedure.
To select the CD player again, press button number 1 while pressing down the POWER button.
The deck is factory set to a CD player for synchro-recording.

You can check the remaining recordable time on the MD
Press DISPLAY (see page 19).

(Continued)

⚠ You can automatically copy CD track names to the MD during synchro-recording (Track Name Copy). By connecting the deck to a Sony CD player through the CONTROL A1 jack, you can use the Track Name Copy Function if a CD is to be synchro-recorded, has CD text or track memo information.

When the track number is marked during synchro-recording, the track name (CD text or track memo) is automatically copied to the MD, and the copied name scrolls in the display.

Note that you cannot use the Track Name Copy Function in the following cases:

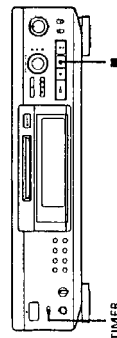
When	Message:
the CD has no track names	"NO NAME"
the text information is copy-protected	"TEXT PROTECT"
the titling capacity of the MD has reached its limit	"NAME FULL"

Note

- The Track Name Copy Function basically copies the CD text information, but if there is no text information, it copies the track memos.
- You cannot use the Track Name Copy Function while you are recording over an existing track.

Recording on an MD Using a Timer

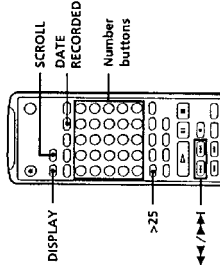
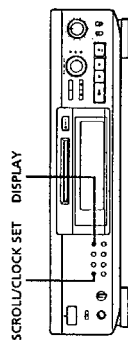
By connecting a timer (not supplied) to the deck, you can start and stop recording operations at specified times. For further information on connecting the timer and setting the starting and ending times, refer to the instructions that came with the timer.



- Do Steps 1 to 7 in "Recording on an MD" on pages 9 and 10.
- If you want to specify the time for the start of recording, press **■**.
If you want to specify the time for the end of recording, do Steps 8 and 9 of "Recording on an MD" on page 10.
If you want to specify the time for both start and end of recording, press **■**.

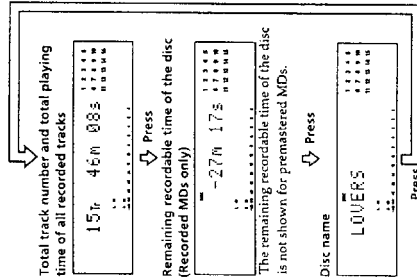
Using the Display

You can use the display to check disc and track information such as the total track number, total playing time of the tracks, remaining recordable time of the disc and disc name.

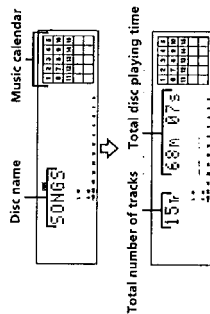


Checking the total track number, total disc playing time, remaining recordable time of the disc and the title of the disc

Each time you press DISPLAY while the deck is stopped, you can change the display as follows:



When you insert an MD, the disc name, total number of tracks, and total disc playing time appear in the display as follows:



The disc name appears, followed by the total number of tracks (Tr) and total disc playing time. A music calendar showing all the track numbers appears within a grid if the MD is a premastered disc or without a grid if the MD is a recordable disc. If the total track number exceeds 25, appears to the right of number 25 in the music calendar. To label a recordable disc and its tracks, see "Labeling Recordings" on page 31.

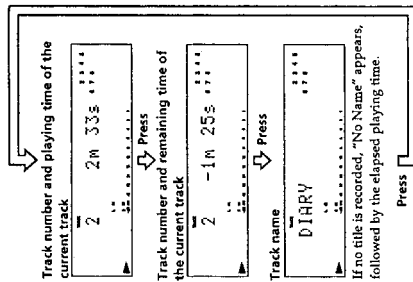
Note

When you insert a new MD or turn off the deck and turn it on again, the last item displayed will reappear. If, however, you disconnect the AC power cord, the display will show the total track number and total playing time of all recorded tracks the next time you turn on the deck, no matter what the last display was.

(Continued)

Checking remaining time and the title of a track

Each time you press DISPLAY while playing an MD, you can change the display as shown below. The track numbers in the music calendar disappear after they are played.



You can check the track name at any time while playing an MD. Press SCROLL/CLOCK SET (or SCROLL). Since the display shows up to 12 characters at a time, press SCROLL/CLOCK SET (or SCROLL) again to see the rest of the track title if the title has 13 characters or more. Press SCROLL/CLOCK SET (or SCROLL) again to pause scrolling, and again to continue scrolling.

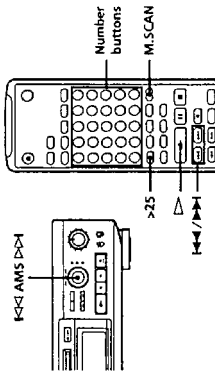
Checking the recording date

When the internal clock has been set, the deck automatically records the recording date and time of all recordings. You can then check the recording date and time of a track.

- 1 Locate the track for which you want to check the recording date and time.
When the deck is stopped, pressed, playing or in playback pause.
Press <Left> or <Right> <Left> or <Right> or number buttons
- 2 Press DATE RECORDED.
"No Date" appears if the internal clock has not been set or the track was recorded on another MD deck without a date and time stamp function.

Locating a Specific Track

You can quickly locate any track while playing a disc by using AMS (Automatic Music Sensor), <Left> and <Right>, number buttons or M.SCAN on the remote.



To locate	Do the following:
The next or succeeding tracks	During playback, turn AMS clockwise (or press <Right> repeatedly) until you find the track.
The current or preceding tracks	During playback, turn AMS counterclockwise (or press <Left> repeatedly) until you find the track.
A specific track directly	Press number buttons to enter the track number.
A specific track by using AMS	1 Turn AMS until the track number you want to locate appears while the deck is stopped. (The track number is flashing). 2 Press AMS or <Right>.
By scanning each track for 6 seconds (music scan)	1 Press M.SCAN before you start playing. 2 When you find the track you want, press <Right> to start playing.

You can directly locate a track with a number over 25

You must press >25 first, before entering the corresponding digits. Press >25 once if it is a 2-digit track number, and twice if it is a 3-digit track number. To enter "0", press button 10.
Examples: • To play track number 30 Press >25 once, then 3 and 10.
• To play track number 100 Press >25 twice, then 1, 10 and 10.

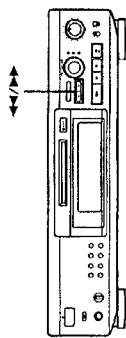
You can extend the playing time during music scan
While the deck is stopped, press M.SCAN repeatedly until the playing time you want (6, 10 or 20 seconds) appears in the display. Each press changes the time in order of 6 to 20, then from 6 again.

To pause playing at the beginning of a track
Turn AMS (or press <Left> or <Right>) after pausing playback.

To go quickly to the beginning of the last track
Turn AMS counterclockwise (or press <Left>) while the display shows the total track number and total disc playing time, remaining recordable time of the disc, or disc name (see page 19).

Locating a Particular Point in a Track

You can also use <Left> and <Right> to locate a particular point in a track during playback or playback pause.

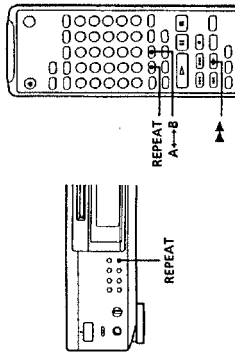


To locate a point
While monitoring the sound Press <Left> (forward) or <Right> (backward) and keep pressing until you find the point.
Quickly by observing the display during playback pause Press <Left> (or <Right>) and keep pressing until you find the point. There is no sound output during this operation.

Notes
• If the disc reaches the end while you are pressing <Left> during playback pause, "OVER" appears in the display. Press <Left> (or <Right>) or turn AMS counterclockwise to go back.
• If the disc reaches the end while you are pressing <Right> during sound monitoring, the deck stops.
• Tracks that are only a few seconds long may be too short to scan using the search function. For such tracks, it is better to play the MD at normal speed.

Repeating Tracks Repeatedly

You can play tracks repeatedly in any play mode.



Press REPEAT.
"REPEAT" appears in the display.
The deck repeats the tracks as follows:

When the MD is played in	The deck repeats
Normal play (page 11)	All the tracks
Shuffle Play (page 23)	All the tracks in random order
Program Play (page 23)	The same program

To cancel repeat play
Press REPEAT several times until "REPEAT" disappears.
The deck returns to the original playing mode.

Repeating the current track

While the track you want to repeat is playing in normal play, press REPEAT several times until "REPEAT 1" appears in the display.

Repeating a specific portion (A-B Repeat)

You can play a specific portion of a track repeatedly. This might be useful when you want to memorize lyrics.

Note that you can only repeat a portion within the boundaries of a single track.

- 1 While playing a disc, press A → B at the starting point (point A) of the portion to be played repeatedly.
"REPEAT A-B" flashes in the display.
- 2 Continue playing the track or press ▶ until you reach the ending point (point B), then press A → B again.
"REPEAT A-B" lights continuously. The deck starts to play the specified portion repeatedly.

To cancel A-B Repeat
Press REPEAT or ■.

Setting new starting and ending points

You can repeat the portion immediately after the currently specified portion by changing the starting and ending points.

- 1 Press A → B while "REPEAT A-B" appears.
The current ending point B becomes the new starting point A and "REPEAT A-B" flashes in the display.
- 2 Continue playing the track or press ▶ until you reach the new ending point (point B), then press A → B again.
"REPEAT A-B" lights continuously and the deck starts playing repeatedly the newly specified portion.

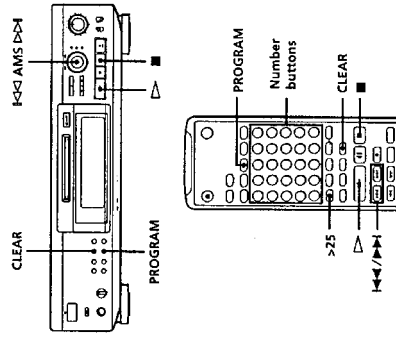
Note

If you turn off the deck or disconnect the AC power cord, the deck will recall the last setting of the Repeat Function the next time you turn on the deck.

The A-B Repeat settings, however, are lost.

Creating Your Own Program (Program Play)

You can specify the playback order of the tracks on an MD and create your own programs containing up to 25 tracks.



- 1 Press PROGRAM when the deck is stopped.
- 2 Do either a) or b):
 - a) When using the remote
Press the number buttons to enter the tracks you want to program in the order you want.
To program a track with a number over 25, use the >25 button (see page 21).
 - b) When using the controls on the deck
 - 1 Turn AMS until the track number you want appears in the display.
 - 2 Press AMS or PROGRAM.

If you've made a mistake

Press CLEAR, then program the right track.

- 3 Repeat Step 2 to enter other tracks. Each time you enter a track, the total program time is added up and appears in the display.
- 4 Press ▶ to start Program Play.

To cancel Program Play
Press CONTINUE when the deck is stopped.

(Continued)

⚡ You can program the same track repeatedly. While the track number appears in the display, press AMS as many times as you want.

⚡ The program remains even after Program Play ends. When you press \blacktriangleright , you can play the same program again.

Notes

- The program created by the Program Play Function is lost when you turn off the deck or disconnect the AC power cord. The program is, however, recalled during timer playback.
- The display shows "-m--s" instead of the total playing time when the total playing time of the program exceeds 160 minutes.

Checking the track order

You can check the order of tracks in your program during playback or playback pause.

Turn AMS (or press \blacktriangleleft or \blacktriangleright) during playback or playback pause. The track numbers appear in the order they were programmed.

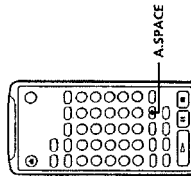
Changing the track order

You can change the order of the tracks in your program before you start playing.

- To**
- Do the following:**
- Erase the last track in the program. Press CLEAR. Each time you press the button, the last track will be cleared.
 - Add tracks to the end of the program. Do Steps 2 and 3 in "Creating Your Own Program."
 - Change the whole program completely. 1 Press \blacksquare while the deck is stopped. 2 Do Steps 2 and 3 in "Creating Your Own Program."

Useful Tips when Recording from MDs to Tape

The Auto Space and Auto Pause Functions described in this section make recording from MDs to tape more easy.



Inserting blank spaces while recording to tape (Auto Space)

The Auto Space Function inserts a 3-second blank space between each track while recording from MDs to tapes, allowing you to use the AMS function during later playback.

Press A.SPACE repeatedly until "A.SPACE" appears in the display.

To cancel Auto Space
Press A.SPACE repeatedly until "A.SPACE" disappears.

Note

If the Auto Space Function is on while recording a selection containing multiple track numbers, (for example, a medley or symphony), blank spaces will be inserted within the selection, whenever the track number changes.

Pausing after each track (Auto Pause)

When the Auto Pause Function is on, the deck pauses after playing each track. Auto Pause is convenient when recording single tracks or multiple, non-consecutive tracks.

Press A.SPACE repeatedly until "A.PAUSE" appears in the display.

To restart playback
Press \blacktriangleright or \blacksquare .

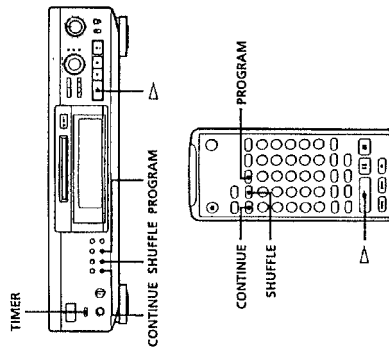
To cancel Auto Pause
Press A.SPACE repeatedly until "A.PAUSE" disappears.

Note

If you turn off the deck or disconnect the AC power cord, the deck will recall the last setting of the Auto Space and Auto Pause Functions the next time you turn on the deck.

Playing an MD Using a Timer

By connecting a timer (not supplied) to the deck, you can start and stop playback operations at specified times. For further information on connecting the timer or setting the starting and ending times, refer to the instructions that came with the timer.



- 5 Set the timer as required.
 - When you have set the time for the start of playback, the deck turns off. When the specified time arrives, the deck turns on and starts playing.
 - When you have set the time for the end of playback, playback continues. When the specified time arrives, the deck stops playing and turns off.
 - When you have set the time for both the start and end of playback, the deck turns off. When the starting time arrives, the deck turns on and starts playing. When the ending time arrives, the deck stops playing and turns off.

- 6 After you have finished using the timer, set TIMER on the deck to OFF.

Note

You can select Program Play in Step 2. Note, however, that programs eventually fade away when the standby status is off, and therefore if you set the time too far in the future, the program may be gone when the specified time arrives. If this has occurred, the deck enters normal play mode at the specified time and the tracks play in consecutive order.

- 1 Do Steps 1 to 3 in "Playing an MD" on page 11.
- 2 Press CONTINUE, SHUFFLE or PROGRAM to select the play mode you want. To play only specific tracks, create a program (see page 23).
- 3 If you want to specify the time for the start of playback, go to Step 4. If you want to specify the time for the end of playback, press \blacktriangleright to start playback, then go to Step 4. If you want to specify the time for both start and end of playback, go to Step 4.
- 4 Set TIMER on the deck to PLAY.

Notes on Editing

You can edit the recorded tracks after recording, using the following functions:

- Erase Function allows you to erase recorded tracks simply by specifying the corresponding track number.
- Divide Function allows you to divide tracks at specified points so that you can quickly locate those points afterwards, using the AMS function.
- Combine Function allows you to combine two consecutive tracks into one.
- Move Function allows you to change the order of tracks by moving a specific track to a track position you want.
- Title Function allows you to create titles for your recorded MDs and tracks.

If "Protected" appears in the display

The deck could not edit because the record-protect slot on the MD is open. Edit after closing the slot.

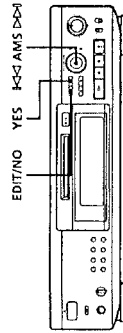
When "TOC" flashes in the display

Do not move the deck or pull out the AC power cord. After editing, "TOC" lights continuously until you eject the MD or turn off the power. "TOC" flashes while the deck is updating the TOC. When the deck finishes updating the TOC, "TOC" goes off.

Erasing Recordings (Erase Function)

Do the procedures below to erase following:

- A single track
- All tracks
- Portions of a track (A-B Erase)



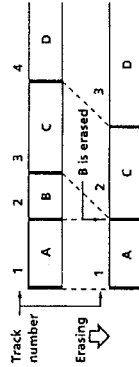
Erasing a single track

You can erase a track simply by specifying the respective track number. When you erase a track, the total number of tracks on the MD decreases by one and all tracks following the erased one are renumbered. Since erasing merely updates the TOC, there is no need to record over material.



To avoid confusion when erasing multiple tracks, you should proceed in order of high to low track number to prevent the renumbering of tracks that have not been erased yet.

Example: Erasing B



1 Turn AMS until the track number you want to erase appears in the display.

2 Press EDIT/NO repeatedly until "Erase ?" appears in the display.

The track number you selected starts flashing in the music calendar.

3 Press YES.

When the track selected in Step 1 has been erased, "Complete" appears for a few seconds and the total number of tracks in the music calendar decreases by one.

If you erase a track during playback, the track following the deleted track begins playing afterwards.

4 Repeat Steps 1 to 3 to erase more tracks.

To cancel the Erase Function

Press EDIT/NO, ■, or turn AMS to change the track number.

Note

If "Erase! ?" appears in the display, the track was recorded or edited on another MD deck and is record-protected. If this indication appears, press YES to erase the track.

Erasing all tracks on an MD

Erasing a recordable MD deletes the disc name, all recorded tracks, and titles.

1 While the deck is stopped, press EDIT/NO repeatedly until "All Erase ?" appears in the display.

2 Press YES.

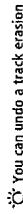
All tracks in the music calendar start flashing.

3 Press YES again.

When the disc name, all recorded tracks, and titles on the MD have been erased, "Complete" appears for a few seconds and the music calendar disappears.

To cancel the Erase Function

Press EDIT/NO or ■.

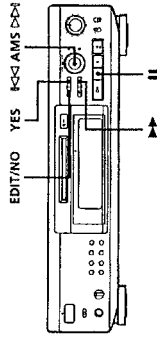
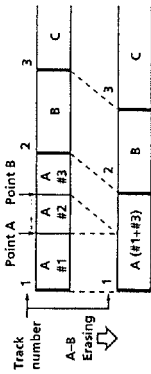


You can undo a track erasure. See "Undoing the Last Edit" on page 33.

Erasing a Portion of a Track (A-B Erase Function)

You can easily erase a portion of a track by specifying the starting and ending points of the portion. This function is useful for erasing unnecessary portions on an MD that you recorded from satellite or FM broadcasts.

Example: Erasing a portion of track A



1 While playing a disc, press ■ at the starting point (point A) of the portion to be erased.

2 Press EDIT/NO repeatedly until "A-B Erase ?" appears in the display.

3 Press YES.

"Rehearsal" alternates with "Point A ok?" in the display and the starting point A of the portion to be erased plays back repeatedly.

4 If point A is incorrect, press EDIT/NO. (If it is correct, go to Step 7.)

5 While monitoring the sound, turn AMS to find point A.

"Rehearsal" alternates with "Point A ok?" in the display and point A is played back repeatedly. Point A can be moved within a maximum range of -128 to +127 steps of about 0.06 second each within a track.

6 If point A is still incorrect, repeat Step 5 until it is correct.

(Continued)

- 7 Press YES or AMS when point A is correct. After "Point B Set" appears for a few seconds, "▶" and "A,B" start flashing, and playback begins so that you can set point B.

- 8 Continue playing the track or press ► until you reach the ending point (point B) of the portion to be erased, then press YES. "Rehearsal" alternates with "Point B ok?" in the display, and the "spliced" portion of the track (after the portion from point A to B has been erased) plays back repeatedly, starting a few seconds before point A and ending a few seconds after point B.

- 9 If point B is incorrect, press EDIT/NO. (If it is correct go to Step 12.)

- 10 While monitoring the sound, turn AMS to find point B. "Rehearsal" alternates with "Point B ok?" in the display, and the "spliced" portion of the track (after the portion from point A to B has been erased) plays back repeatedly. Point B can be moved within a maximum range of -128 to +127 steps of about 0.06 second each within a track.

- 11 If point B is still incorrect, repeat Step 10 until it is correct.

- 12 Press YES or AMS when point B is correct. When the portion from point A to B has been erased, "Complete" appears for a few seconds.

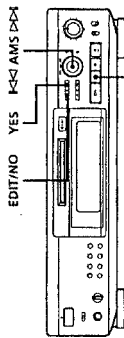
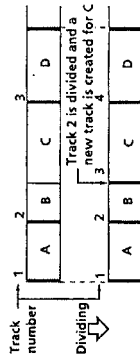
To cancel the A-B Erase Function Press ■

- Notes**
- If "Impossible" appears in the display, point B was specified before point A. Specify point B so that it comes after point A.
 - If "Sorry" appears in the display, a portion of the track cannot be erased. This sometimes happens when you've edited the same track many times, and is due to a technical limitation of the MD system, not a mechanical error.

Dividing Recorded Tracks (Divide Function)

With the Divide Function you can assign a track number at places that you want to randomly access afterwards. Use this function to add tracks to MDs recorded from an analog source (and therefore contain no track numbers), or to divide an existing track into multiple portions. When you divide a track, the total number of tracks on the MD increases by one and all tracks following the divided track are renumbered.

Example: Dividing track 2 to create a new track for C

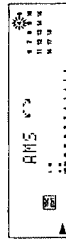


- 1 While playing the MD, press ■ at the point where you want to create a new track. The deck pauses playing.

- 2 Press EDIT/NO repeatedly until "Divide ?" appears in the display.

- 3 Press YES to divide the track. "Rehearsal" alternates with "Position ok?" in the display, the track to be divided starts flashing in the music calendar, and the starting portion of the new track begins playing repeatedly.

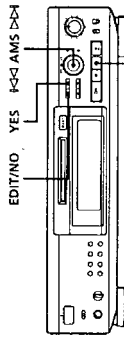
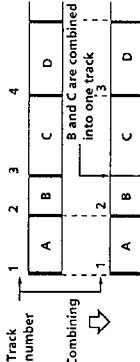
- 4 If the starting position is incorrect, press EDIT/NO. (If it is correct, go to Step 7.)



Combining Recorded Tracks (Combine Function)

Use the Combine Function while the deck is stopped, playing or in pause to combine consecutive tracks on a recorded MD. This function is useful for combining several songs into a single medley, or several independently recorded portions into a single track. When you combine two tracks, the total number of tracks decreases by one and all tracks following the combined tracks are renumbered.

Example: Combining B and C



- 1 Turn AMS until the second track of the two to be combined appears. For example, when combining tracks 3 and 4, turn AMS until 4 appears.

- 2 Press EDIT/NO repeatedly until "Combine ?" appears in the display.

- 3 Press YES. "Rehearsal" alternates with "Track ok?" in the display. The place where the two tracks will join (i.e., the end of the first track and the beginning of the second track) repeatedly plays back and the respective track number flashes in the music calendar.

- 4 If the track is the wrong one, press EDIT/NO or ■, then start from Step 1 again.

(Continued)

- If the place is correct, press YES. When the tracks have been combined, "Complete" appears for a few seconds and the total number of tracks in the music calendar decreases by one. If both of the combined tracks have track titles, the title of the second track is erased.

To cancel the Combine Function Press EDIT/NO or ■.

U You can undo a track combination

Divide the tracks again (see "Dividing Recorded Tracks" on page 28), then repeat the combine function with the correct tracks if necessary.

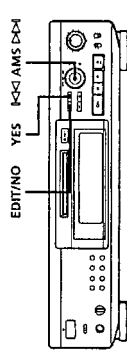
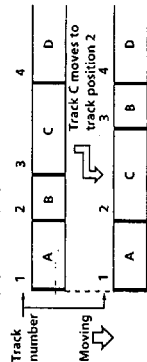
Note

If "Sorry" appears in the display, the tracks cannot be combined. This sometimes happens when you've edited the same track many times, and is due to a technical limitation of the MD system, not a mechanical error.

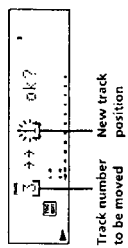
Moving Recorded Tracks (Move Function)

Use the Move Function to change the order of any track. After you move a track, the track numbers between the new and old track positions are automatically renumbered.

Example: Moving track C to track position 2



- Turn AMS until the track number you want to move appears in the display.
- Press EDIT/NO repeatedly until "Move ?" appears in the display.
- Press YES. The track number to be moved and the new track position appears.



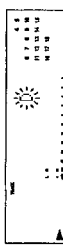
Track number to be moved

New track position

- Turn AMS until the new track position appears. Press YES or AMS. After you have moved the track, "Complete" appears for a few seconds and the moved track begins playing back if the deck is in playback mode.

To cancel the Move Function Press EDIT/NO or ■.

- Turn AMS to select the character. The selected character flashes. Letters, numbers, and symbols appear in sequential order as you turn AMS. You can use the following symbols in titles: ! " # \$ % & ' () * + , - . / : ; < = > ? @ _



You can press CHAR to change the character type at any time during Step 4 (see Step 5).

- Press AMS to enter the selected character. The cursor shifts rightward and waits for the input of the next character.



- Repeat Steps 3 to 5 until you have entered the entire title. If you entered the wrong character Press ← or → until the character to be corrected starts flashing, and repeat Steps 3 to 5 to enter the correct character. To erase a character Press ← or → until the character to be erased starts flashing, then press CLEAR or EDIT/NO. To enter a space Press AMS or → while the cursor is flashing.

- Press YES. This completes the labeling procedure and the title appears on the left side of the display.

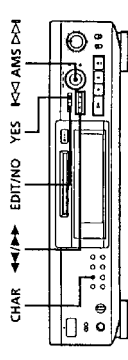
To cancel labeling Press ■.

Note You cannot label a track or an MD while you are recording over an existing track.

(Continued)

Labeling Recordings (Title Function)

You can create titles for your recorded MDs and tracks. Titles — which may consist of uppercase and lowercase letters, numbers and symbols for a maximum of about 1,700 characters per disc — appear in the display during MD operation.

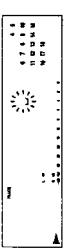


Use the following procedure to label a track or an MD. You can label a track while it is playing, pausing or recording. If the track is playing or recording, be sure to finish labeling before the track ends. If the track ends before you've completed the labeling procedure, the characters already entered are not recorded and the track will remain unlabeled.

- Press EDIT/NO repeatedly until "Name in ?" appears in the display, then do the following:

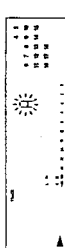
To label	Make sure that the deck is playing, pausing, recording the track to be labeled, or stopped after locating the track to be labeled
A track	
An MD	Stopped with no track number appearing in the display

- Press YES. A flashing cursor appears in the display.

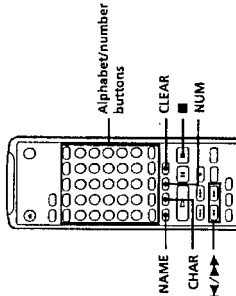


- Press CHAR to select the character type as follows:

To select	Press CHAR repeatedly until
Uppercase letters	"A" appears in the display
Lowercase letters	"a" appears in the display
Numbers	"0" appears in the display



Labeling tracks and MDs with the remote [1]



- 1 Press NAME repeatedly until a flashing cursor appears in the display, then do the following:

To label	Make sure that the deck is
A track	Playing, pausing, recording the track to be labeled, or stopped after locating the track to be labeled
An MD	Stopped with no track number appearing in the display

- 2 Select the character type as follows:

To select	Press
Uppercase letters	CHAR repeatedly until "Selected ABC" appears in the display
Lowercase letters	CHAR repeatedly until "Selected abc" appears in the display
Numbers	NUM repeatedly until "Selected 123" appears in the display

- 3 Enter one character at a time.
After you enter a character, the cursor shifts rightward and waits for the input of the next character.

- 4 Repeat Steps 2 and 3 until you have entered the entire title.

If you entered the wrong character
Press ← or → until the character to be corrected starts flashing.
Press CLEAR to erase the incorrect character, then enter the correct one.

- 5 Press NAME again.
The entered title appears on the left side of the display window after the label has been recorded.

To cancel labeling:
Press ■.

Changing an existing title [1]

- 1 Press NAME, then do the following:

To change	Make sure that the deck is
A track title	Playing, pausing the track whose title is to be changed, or stopped after locating the track whose title is to be changed
A disc name	Stopped with no track number appearing in the display

- 2 Keep pressing CLEAR (or EDIT/NO on the deck) until the current title is erased.

- 3 Enter the new title.
Do Steps 3 to 6 of "Labeling Recordings" on page 31, or Steps 2 to 4 of "Labeling tracks and MDs with the remote" on this page.

- 4 Press NAME.

Erasing all titles on a disc (Name Erase Function)

Use this function to erase all titles on an MD simultaneously.

- 1 Press EDIT/NO repeatedly while the deck is stopped until "All Erase ?" appears in the display.

- 2 Press EDIT/NO again.

"Name Erase ?" appears in the display.

- 3 Press YES.

All titles are erased.

To cancel the Name Erase Function:
Press ■.

You can undo a name erasion

See "Undoing the Last Edit" on this page.

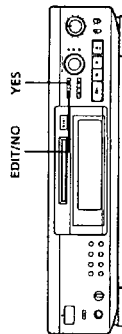
You can erase all recorded tracks and titles

See "Erasing all tracks on an MD" on page 27.

Undoing the Last Edit (Undo Function)

You can use the Undo Function to cancel the last edit and restore the contents of the MD to the condition that existed before editing was done. Note, however, that you cannot undo an edit if you do any of the following after the edit:

- Press the REC button on the front panel.
- Press the button, the MUSIC SYNC button, or the CD-SYNC STANDBY button on the remote.
- Update the TOC by turning off the power or ejecting the MD.
- Disconnect the AC power cord.



- 1 With the deck stopped and no track number appearing in the display, press EDIT/NO repeatedly until "Undo ?" appears in the display. "Undo ?" does not appear if no editing has been done.

- 2 Press YES.

One of the following messages appears in the display, depending on the type of editing to be undone:

Editing done:	Message:
Erasing a single track	"Erase Undo ?"
Erasing all tracks on an MD	"Erase Undo ?"
Erasing a portion of a track	"Erase Undo ?"
Dividing a track	"Divide Undo ?"
Combining tracks	"Combine Undo ?"
Moving a track	"Move Undo ?"
Labeling a track or an MD	"Label Undo ?"
Changing an existing title	"Name Undo ?"
Erasing all titles on an MD	"Name Undo ?"

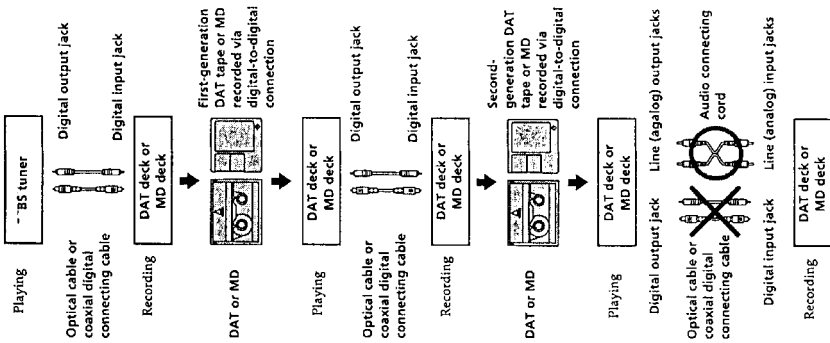
- 3 Press YES again.

"Complete" appears for a few seconds and the contents of the MD are restored to the condition that existed before the edit.

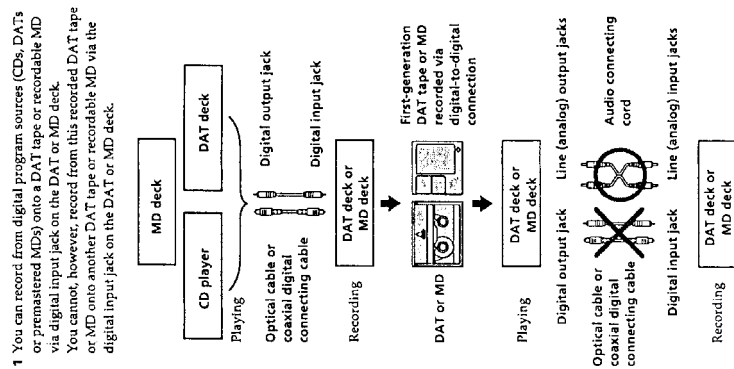
To cancel the Undo Function:
Press EDIT/NO or ■.

Additional Information

2 You can record the digital input signal of a digital satellite broadcast onto a DAT tape or recordable MD via the digital input jack on the DAT or MD deck which is capable of handling a sampling frequency of 32 kHz or 48 kHz. You can then record the contents of this recorded DAT tape or MD (first-generation) onto another DAT tape or recordable MD via digital input jack on the DAT or MD deck to create a second-generation digital copy. Subsequent recording from the second-generation copy onto another recordable DAT tape or MD is possible only through the analog input jack on the DAT or MD deck. Note, however, that on some BS tuners, second-generation digital copying may not be possible.

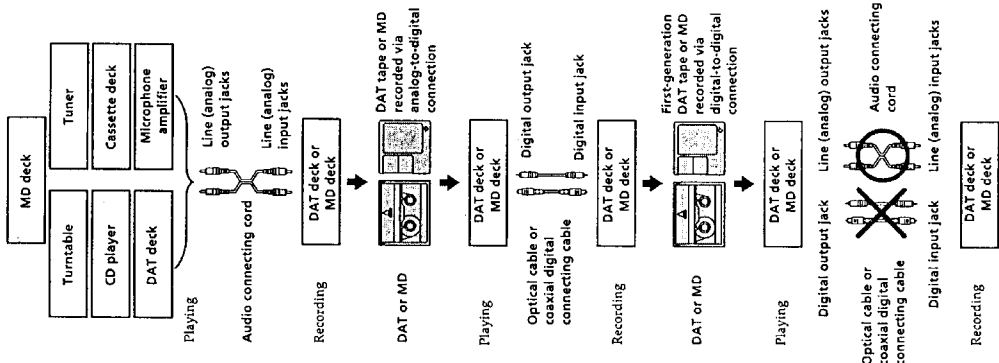


1 You can record from digital program sources (CDs, DATs or pre-mastered MDs) onto a DAT tape or recordable MD via digital input jack on the DAT or MD deck. You cannot, however, record from this recorded DAT tape or MD onto another DAT tape or recordable MD via the digital input jack on the DAT or MD deck.



Additional Information

3 You can record a DAT tape or MD recorded via the DAT or MD deck's analog input jack onto another DAT tape or MD via the DAT or MD deck's digital output jack. You cannot, however, make a second-generation DAT tape or MD copy via the DAT or MD deck's digital output jack.

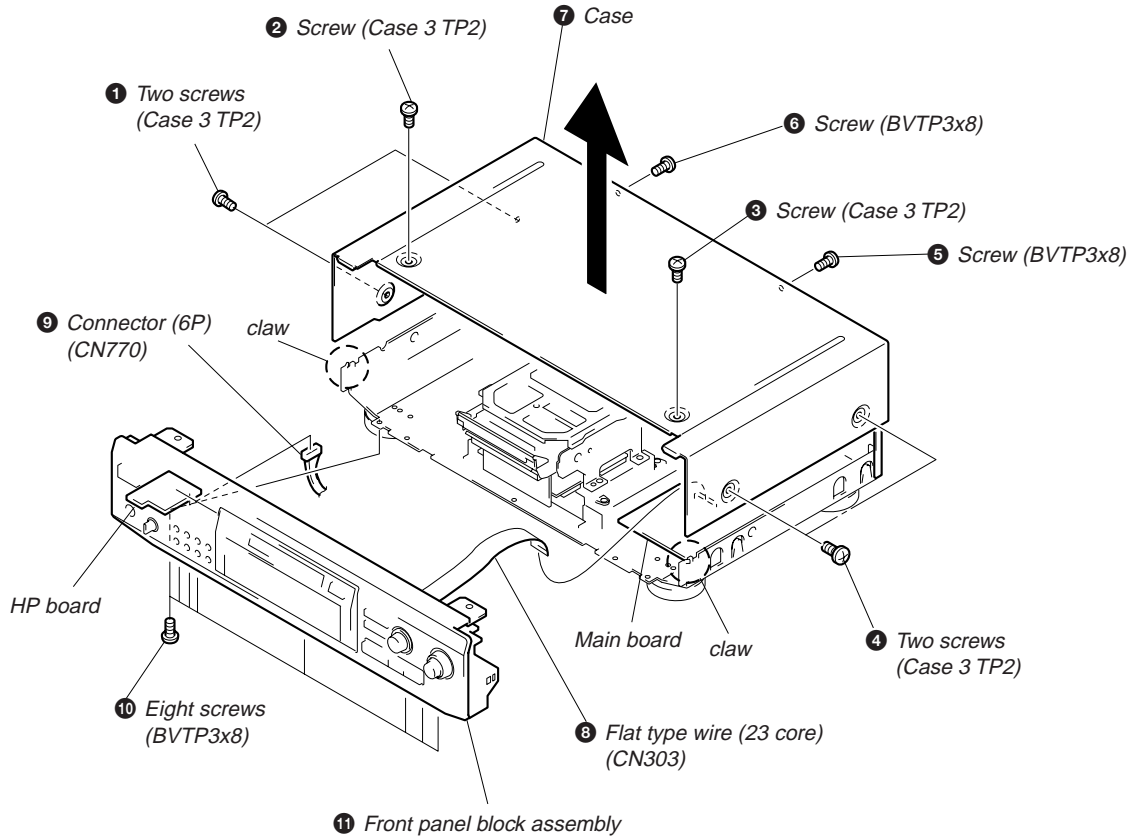


(Continued)

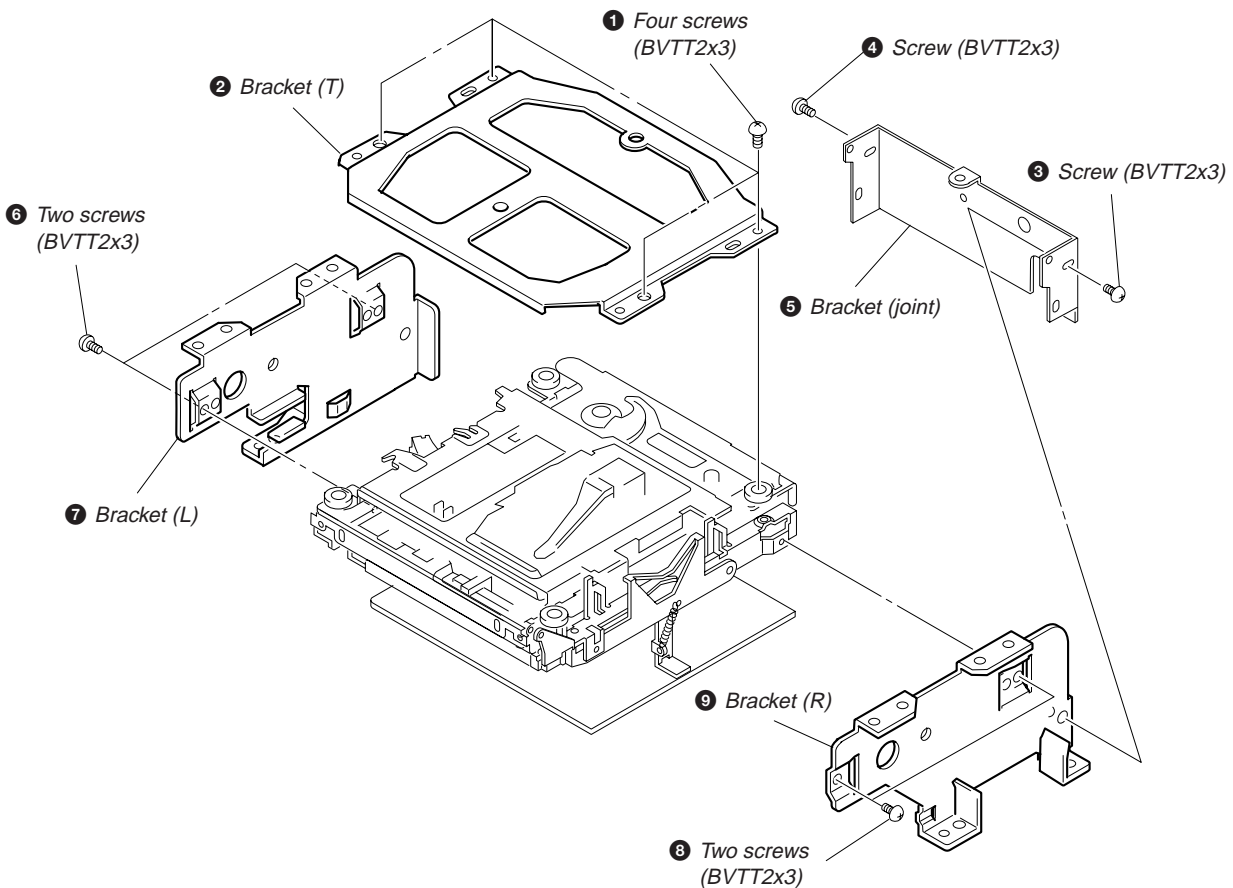
SECTION 3 DISASSEMBLY

Note : Follow the disassembly procedure in the numerical order given.

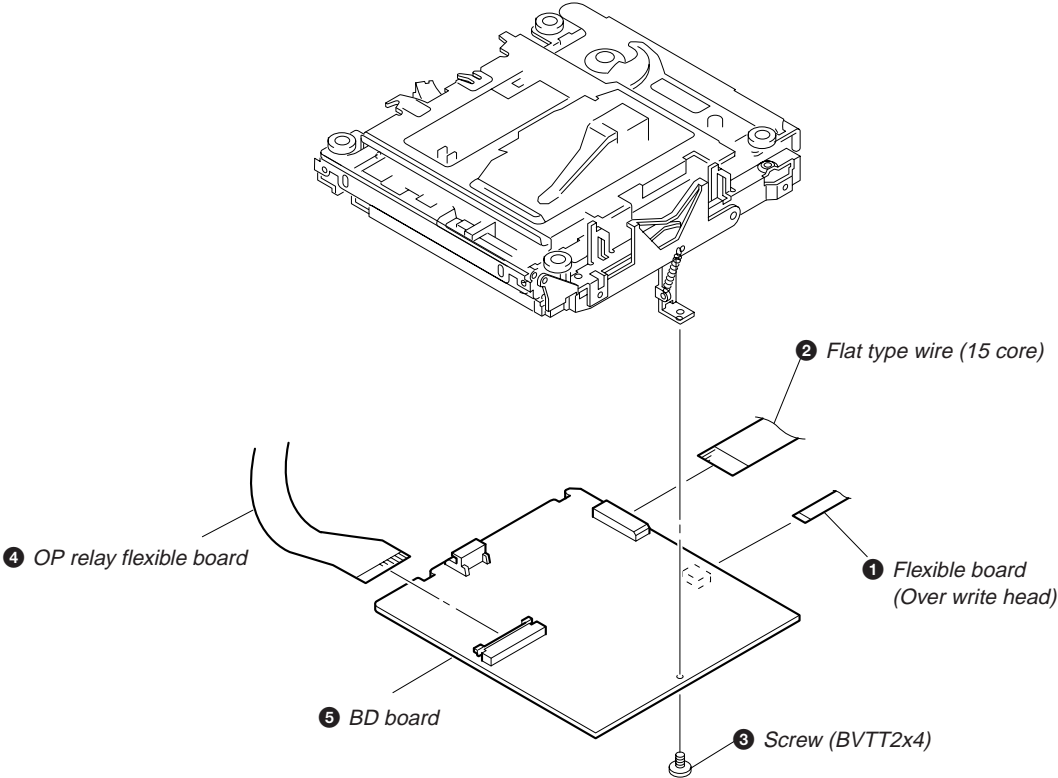
3-1. CASE AND FRONT PANEL ASSEMBLY



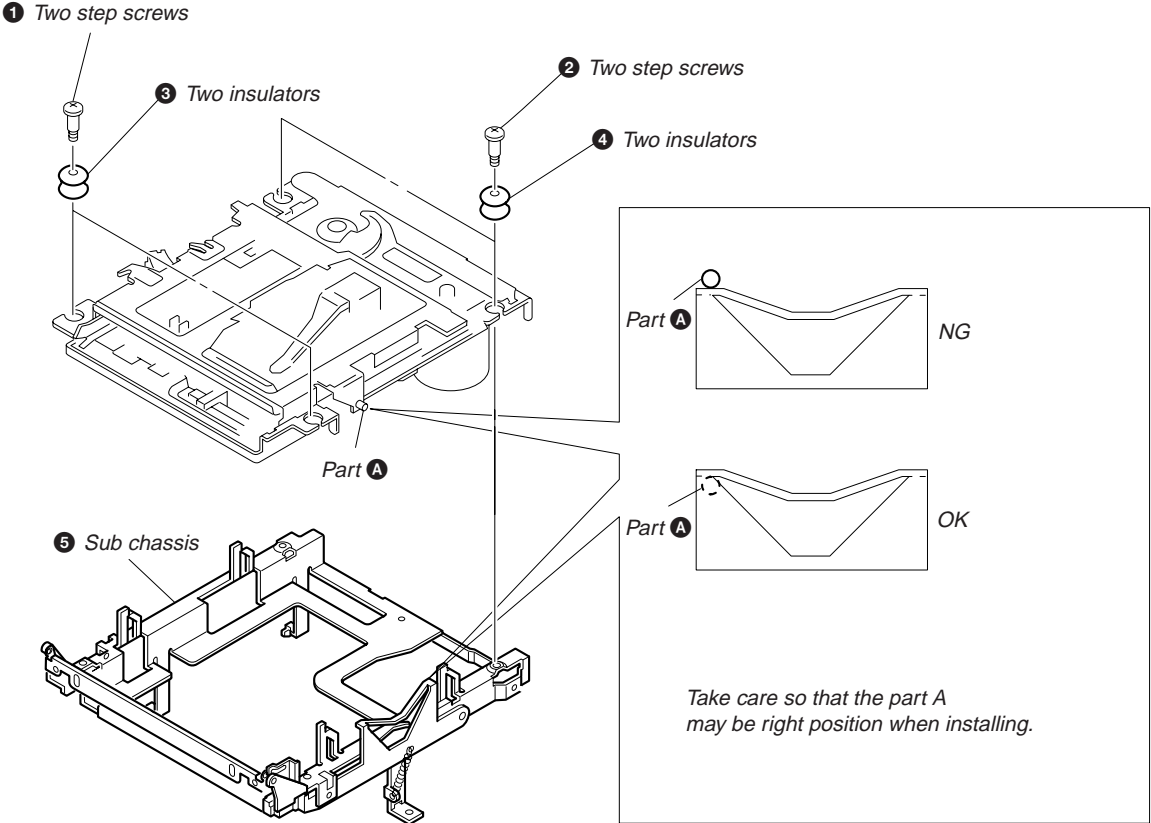
3-2. BRACKET (T), (L) AND (R)



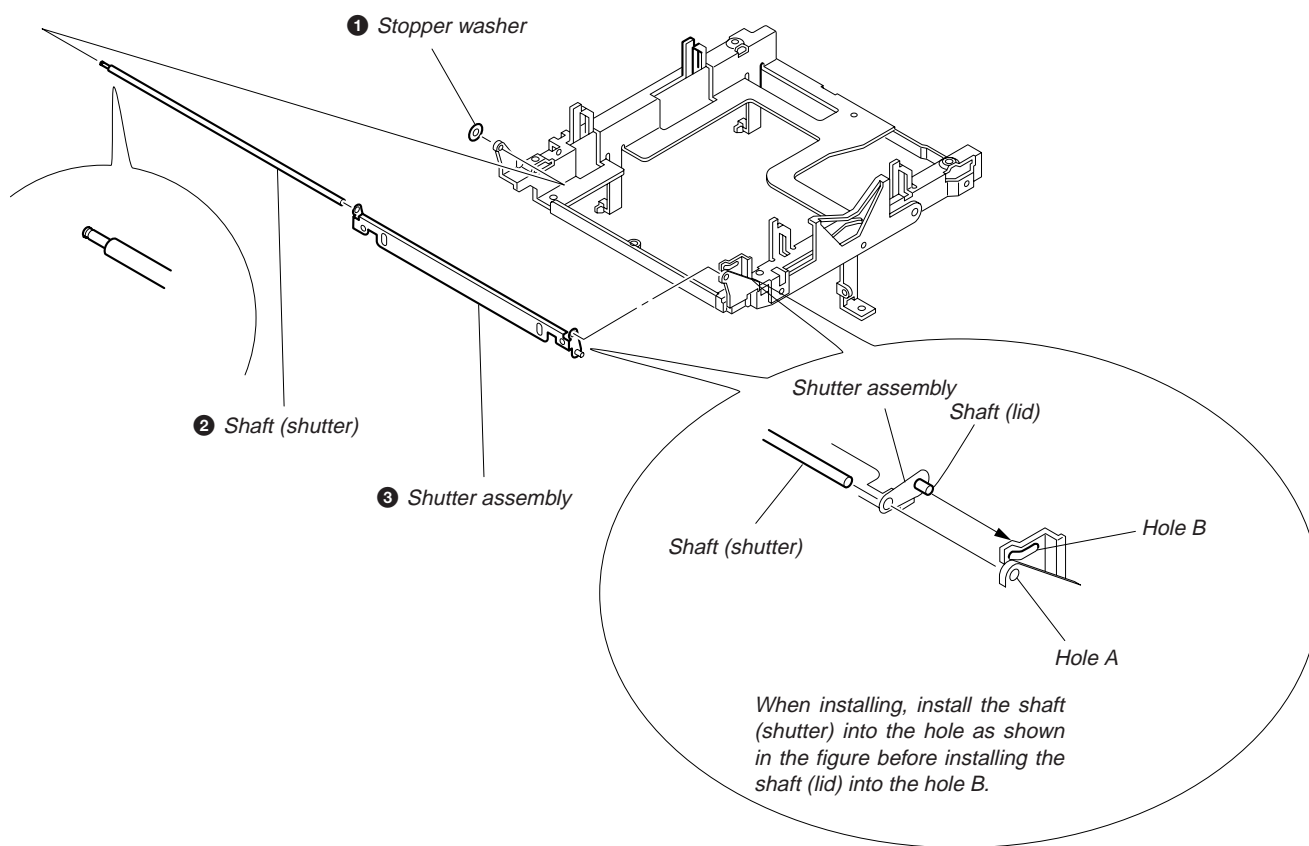
3-3. BD BOARD



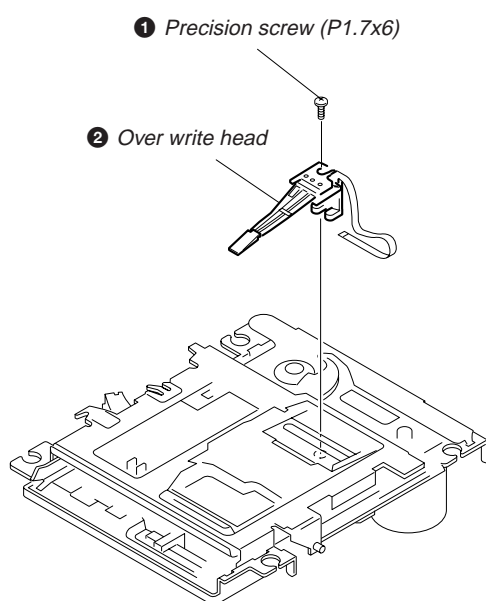
3-4. SUB CHASSIS



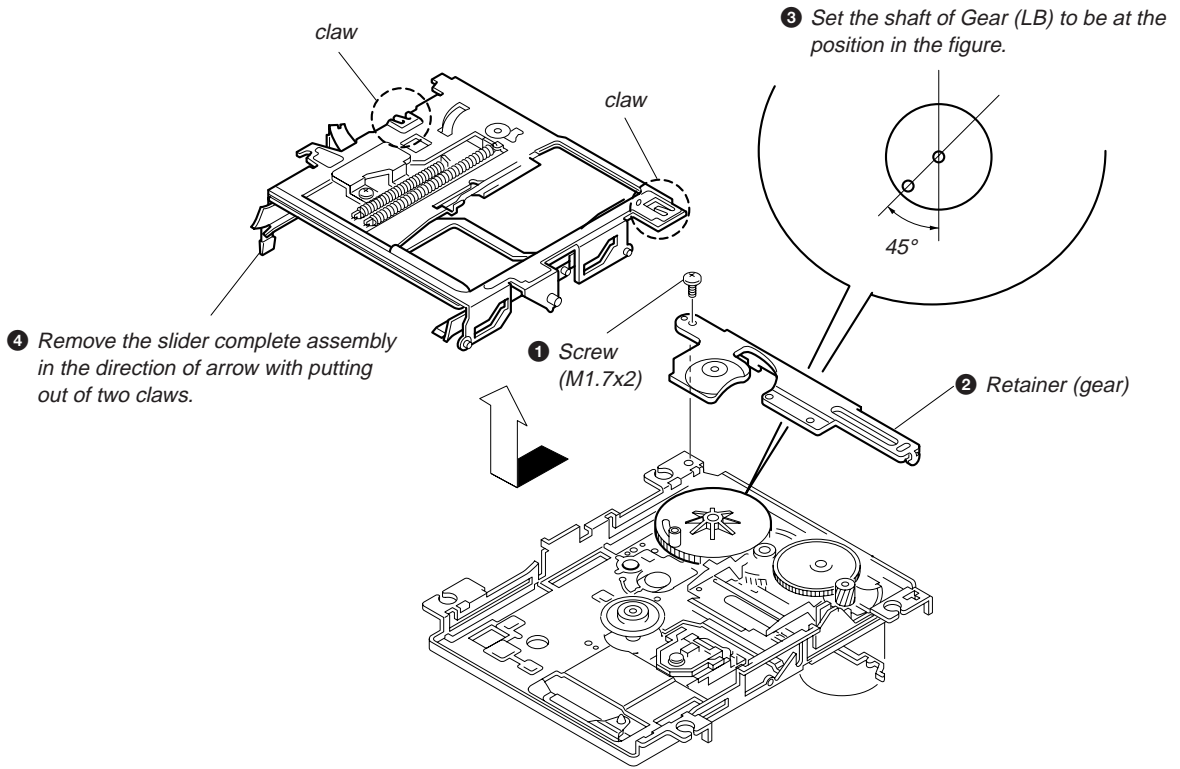
3-5. SHUTTER ASSEMBLY



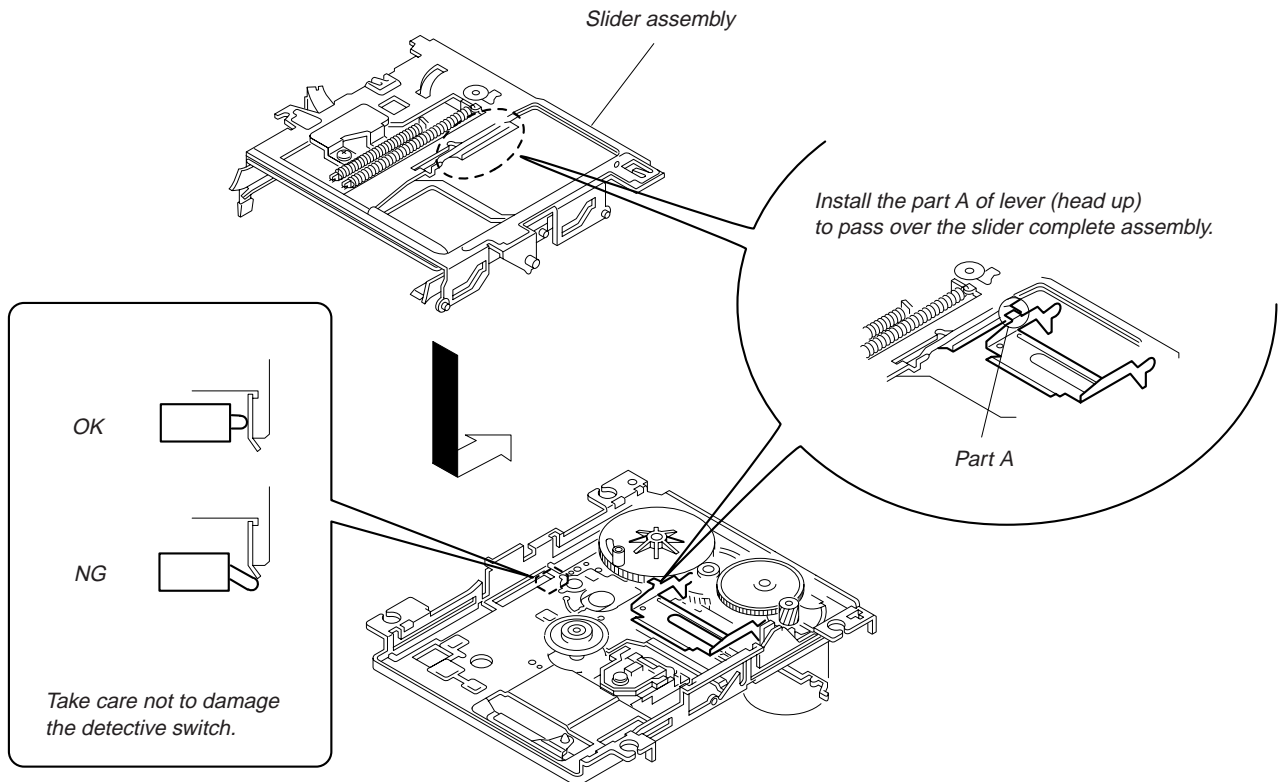
3-6. OVER WRITE HEAD



3-7. SLIDER COMPLETE ASSEMBLY






• Note for Installation of Slider Complete Assembly




SECTION 4 TEST MODE

4-1. PRECAUTIONS FOR USE OF TEST MODE

- ① As loading related operations will be performed regardless of the test mode operations being performed, be sure to check that the disc is stopped before setting and removing it.
Even if the EJECT button is pressed while the disc is rotating during continuous playback, continuous recording, etc., the disc will not stop rotating.
Therefore, it will be ejected while rotating.
Be sure to press the EJECT button after pressing the NO button and the rotation of disc is stopped.
- ② The erasing-protection tab is not detected in the test mode. Therefore, operating in the recording laser emission mode and pressing the REC button, the recorded contents will be erased regardless of the position of the tab. When using a disc that is not to be erased in the test mode, be careful not to enter the continuous recording mode and traverse adjustment mode.

4-1-1. Recording laser emission mode and operating buttons

1. Continuous recording mode (CREC MODE)
2. Traverse adjustment mode (EFBAL ADJUST)
3. Laser power adjustment mode (LDPWR ADJUST)
4. Laser power check mode (LDPWR CHECK)
5. When pressing the REC button.

4-2. SETTING THE TEST MODE

While pressing the AMS knob, insert the power plug into the power supply inlet, and release the AMS knob.

4-3. EXITING THE TEST MODE

When the REPEAT button is pressed, it becomes in the STANDBY mode. Or unplug the power plug from an outlet.

4-4. BASIC OPERATIONS OF THE TEST MODE

All operations are performed using the AMS knob, YES button, and NO button.
The functions of these buttons are as follows.

Function name	Function
AMS knob	Changes parameters and modes
YES button	Proceeds onto the next step. Finalizes input.
NO button	Returns to previous step. Stops operations.

4-5. SELECTING THE TEST MODE

Thirteen test modes are selected by turning the AMS knob.

Display	Contents
TEMP ADJUST	Temperature compensation offset adjustment
LDPWR ADJUST	Laser power adjustment
LDPWR CHECK	Laser power check
EFBAL ADJUST	Traverse adjustment
FBIAS ADJUST	Focus bias adjustment
FBIAS CHECK	Focus bias check
CPLAY MODE	Continuous playback mode
CREC MODE	Continuous recording mode
DETRK CHECK	Detrack check
S curve CHECK	S curve check *
EEP MODE	Non-volatile memory mode *
MANUAL CMD	Manual command transfer mode *
SVDATA READ	Data reading out mode *

For detailed description of each adjustment mode, refer to “5. Electrical Adjustments”.

If a different adjustment mode has been selected by mistake, press the NO button to exit from this mode.

* The EEP MODE, S curve CHECK, MANUAL CMD and SVDATA READ are not used in servicing. If set accidentally, press the NO button immediately to exit this mode.

4-5-1. Operating the Continuous Playback Mode

1. Entering the continuous playback mode

- ① Set the disc in the unit. (Whichever recordable discs or discs for playback only are available.)
- ② Rotate the AMS knob and display “CPLAY MODE”.
- ③ Press the YES button to change the display to “CPLAY IN”.
- ④ When access completes, the display changes to “C1 = 0000 AD = 00”.

Note : The numbers “00” displayed show you error rates and ADER.

2. Changing the parts to be played back

- ① Press the YES button during continuous playback to change the display as below.

“CPLAY MID” → “CPLAY OUT” → “CPLAY IN”



When pressed another time, the parts to be played back can be moved.

- ② When access completes, the display changes to “C1 = 0000 AD = 00”.

Note : The numbers “00” displayed show you error rates and ADER.

3. Ending the continuous playback mode

- ① Press the NO button. The display will change to “CPLAY MODE”.
- ② Press the EJECT button to remove the disc.

Note : The playback start addresses for IN, MID, and OUT are as follows. In case you want to display the address of the playback position on the display, press the DISPLAY button and display “CPLAY (0000)”.

IN 40h cluster
MID 300h cluster
OUT 700h cluster

4-5-2. Operating the Continuous Recording Mode

1. Entering the continuous recording mode

- ① Set a recordable disc in the unit. (Refer to Note 3)
- ② Rotate the AMS knob and display “CREC MODE”.
- ③ Press the YES button to change the display to “CREC MID”.
- ④ When access completes, the display changes to “CREC (0000)” and **REC** lights up.

Note : The numbers “00” displayed shows you the recording position addresses.

2. Changing the parts to be recorded

- ① When the YES button is pressed during continuous recording, the display changes as below.

“CPLAY MID” → “CPLAY OUT” → “CPLAY IN”



When pressed another time, the parts to be recorded can be changed. **REC** goes off.

- ② When access completes, the display changes to “CREC (0000)” and **REC** lights up.

Note : The numbers “00” displayed shows you the recording position addresses.

3. Ending the continuous recording mode

- ① Press the NO button. The display changes to “CREC MODE” and **REC** goes off.
- ② Press the EJECT button to remove the disc.

Note 1 : The recording start addresses for IN, MID, and OUT are as follows.

IN 40h cluster
MID 300h cluster
OUT 700h cluster

Note 2 : The NO button can be used to stop recording anytime.

Note 3 : During the test mode, the erasing-protection tab will not be detected. Therefore be careful not to set the continuous recording mode when a disc not to be erased is set in the unit.

Note 4 : Do not perform continuous recording for long periods of time above 5 minutes.

Note 5 : During continuous recording, be careful not to apply vibration.

4-5-3. Non-Volatile Memory Mode

This mode reads and writes the contents of the non-volatile memory.

It is not used in servicing. If set accidentally, press the NO button immediately to exit it.

4-6. FUNCTIONS OF OTHER BUTTONS

Function	Contents
▷	Sets continuous playback when pressed in the STOP state. When pressed during continuous playback, the tracking servo turns ON/OFF.
■	Stops continuous playback and continuous recording.
▶▶	The sled moves to the outer circumference only when this is pressed.
◀◀	The sled moves to the inner circumference only when this is pressed.
● REC	Turns recording ON/OFF when pressed during continuous playback.
SCROLL	Switches between the pit and groove modes when pressed.
PLAY MODE	Switches the spindle servo mode (CLVS and A).
DISPLAY	Switches the display when pressed. Returns to previous step. Stops operations.

Note : The erasing-protection tab is not detected during the test mode. Recording will start regardless of the position of the erasing-protection tab when the ● REC button is pressed.

4-7. TEST MODE DISPLAYS

Each time the DISPLAY button is pressed, the display changes in the following order.

MODE display → Error rate display → Address display → Auto gain display → IVR display

The auto gain display and the IVR display are not used for servicing.

1. MODE display

Displays “TEMP ADJUST”, “CPLAY MODE”, etc.

2. Error rate display

Error rates are displayed as follows.

C1 = 0000 AD = 0000

C1 = : Indicates C1 error

AD = : Indicates ADER

3. Address display

Addresses are displayed as follows. (MO : Recordable disc, CD : Disc for playback only)

h = 0000 s = 0000 (MO pit and CD)

h = 0000 a = 0000 (MO groove)

h = : Header address

s = : SUBQ address

a = : ADIP address

* “_” is displayed when the address cannot be read.

4. Auto gain display

Auto gains are displayed as follows.

AG F = 00 T = 00

F = Focus auto gain collection value.

T = Tracking auto gain collection value.

4-8. MEANINGS OF OTHER DISPLAYS

Display	Contents		
	Light	Off	Blinking
▷	During continuous playback	STOP	
	Tracking servo OFF	Tracking servo ON	
REC	Recording mode ON	Recording mode OFF	
CLOCK	CLV LOCK	CLV UNLOCK	
TRACK	Pit	Groove	
DISC	High reflection	Low reflection	
DATE	CLV-S	CLV-A	
A. SPACE	ABCD adjustment completed		
A - B	(Focus auto gain successful Tracking auto gain successful)		(Focus auto gain successful Tracking auto gain failed)

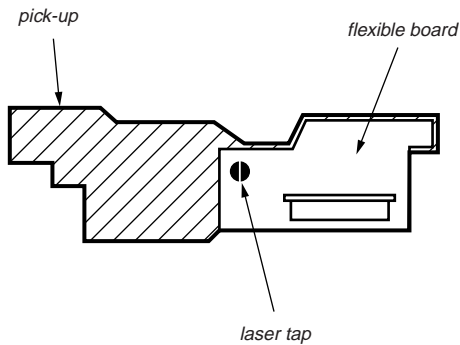
SECTION 5 ELECTRICAL ADJUSTMENTS

5-1. PRECAUTIONS FOR CHECKING LASER DIODE EMISSION

To check the emission of the laser diode during adjustments, never view directly from the top as this may lose your eye-sight.

5-2. PRECAUTIONS FOR USE OF OPTICAL PICK-UP (KMS-260A)

As the laser diode in the optical pick-up is easily damaged by static electricity, solder the laser tap of the flexible board when using it. Before disconnecting the connector, desolder first. Before connecting the connector, be careful not to remove the solder. Also take adequate measures to prevent damage by static electricity. Handle the flexible board with care as it breaks easily.



Optical pick-up flexible board

5-3. PRECAUTIONS FOR ADJUSTMENTS

1) When replacing the following parts, perform the adjustments and checks with **O** in the order shown in the following table.

	Optical Pick-up	BD Board		
		IC171	D101	IC101, IC121, IC192
1. Temperature compensation offset adjustment	X	O	O	O
2. Laser power adjustment	O	O	X	O
3. Traverse adjustment	O	O	X	O
4. Focus bias adjustment	O	O	X	O
5. Error rate check	O	O	X	O

- 2) Set the test mode when performing adjustments. After completing the adjustments, exit the test mode.
- 3) Perform the adjustments in the order shown.
- 4) Use the following tools and measuring devices.
 - Check Disc (MD) TDYS-1 (Parts No. 4-963-646-01)
 - Laser power meter LPM-8001 (Parts No. J-2501-046-A)
 - Oscilloscope (Measure after performing CAL of prove.)
 - Digital voltmeter
 - Thermometer
 - Jig for checking BD board waveform (Parts No. : J2501-124-A)
- 5) When observing several signals on the oscilloscope, etc., make sure that VC and ground do not connect inside the oscilloscope. (VC and ground will become short-circuited.)
- 6) Using the above jig enables the waveform to be checked without the need to solder. (Refer to Servicing Note on page 5.)

5-4. CREATING CONTINUOUSLY RECORDED DISC

* This disc is used in focus bias adjustment and error rate check. The following describes how to create a continuous recording disc.

1. Insert a disc (blank disc) commercially available.
2. Rotate the AMS knob and display "CREC MODE".
3. Press the YES button again to display "CREC MID". Display "CREC (0300)" and start to recording.
4. Complete recording within 5 minutes.
5. Press the NO button and stop recording .
6. Press the \triangle EJECT button and remove the disc.

The above has been how to create a continuous recorded data for the focus bias adjustment and error rate check.

Note :

- Be careful not to apply vibration during continuous recording.

5-5. TEMPERATURE COMPENSATION OFFSET ADJUSTMENT

Save the temperature data at that time in the non-volatile memory as 25 °C reference data.

Note :

1. Usually, do not perform this adjustment.
2. Perform this adjustment in an ambient temperature of 22 °C to 28 °C. Perform it immediately after the power is turned on when the internal temperature of the unit is the same as the ambient temperature of 22 °C to 28 °C.
3. When D101 has been replaced, perform this adjustment after the temperature of this part has become the ambient temperature.

Adjusting Method :

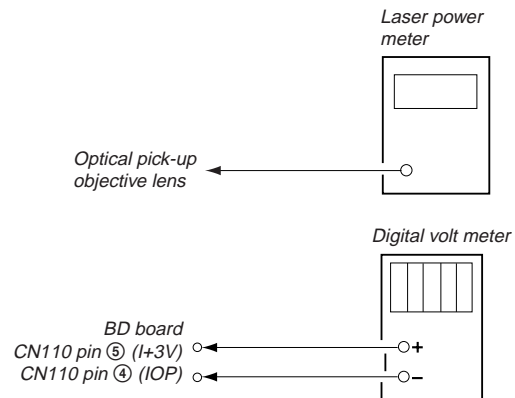
1. Rotate the AMS knob and display "TEMP ADJUST".
2. Press the YES button and select the "TEMP ADJUST" mode.
3. "TEMP = $\square\square\square$ " and the current temperature data will be displayed.
4. To save the data, press the YES button.
When not saving the data, press the NO button.
5. When the YES button is pressed, "TEMP = $\square\square\square$ SAVE" will be displayed and turned back to "TEMP ADJUST" display then.
When the NO button is pressed, "TEMP ADJUST" will be displayed immediately.

Specified Value :

The "TEMP = $\square\square\square$ " should be within "E0 - EF", "F0 - FF", "00 - 0F", "10 - 1F" and "20 - 2F".

5-6. LASER PPOWER ADJUSTMENT

Connection :



Adjusting Method :

1. Set the laser power meter on the objective lens of the optical pick-up. (When it cannot be set properly, press the ◀ button or ▶ button to move the optical pick-up.)
Connect the digital volt meter to CN110 pin ⑤ (I+3V) and CN110 pin ④ (IOP).
2. Rotate the AMS knob and display "LDPWR ADJUST".
(Laser power : For adjustment)
3. Press the YES button once and display "LD 0.9 mW \$ $\square\square\square$ ".
4. Rotate the AMS knob so that the reading of the laser power meter becomes 0.86 to 0.92 mW. Press the YES button after setting the range knob of the laser power meter, and save the adjustment results. ("LD SAVE \$ $\square\square\square$ " will be displayed for a moment.)
5. Then "LD 7.0 mW \$ $\square\square\square$ " will be displayed.
6. Rotate the AMS knob so that the reading of the laser power meter becomes 6.9 to 7.1 mW, press the YES button and save it.

Note : Do not perform the emission with 7.0 mW more than 15 seconds continuously.

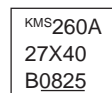
7. Then, rotate the AMS knob and display "LDPWR CHECK".
8. Press the YES button once and display "LD 0.9 mW \$ $\square\square\square$ ". Check that the reading of the laser power meter become 0.85 to 0.91 mW.
9. Press the YES button once more and display "LD 7.0 mW \$ $\square\square\square$ ". Check that the reading the laser power meter and digital volt meter satisfy the specified value.

Specified Value :

Laser power meter reading : 7.0 ± 0.1 mW

Digital voltmeter reading : Optical pick-up displayed value $\pm 10\%$

(Optical pick-up label)



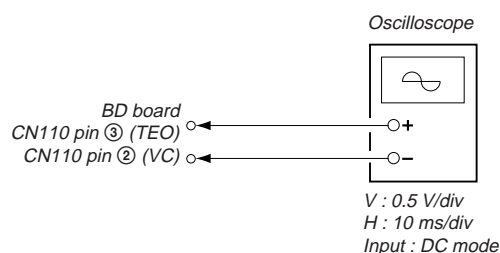
$I_{op} = 82.5$ mA in this case

I_{op} (mA) = Digital voltmeter reading (mV)/1 (Ω)

10. Press the NO button and display "LDPWR CHECK" and stop the laser emission.
(The NO button is effective at all times to stop the laser emission.)

5-7. TRAVERSE ADJUSTMENT

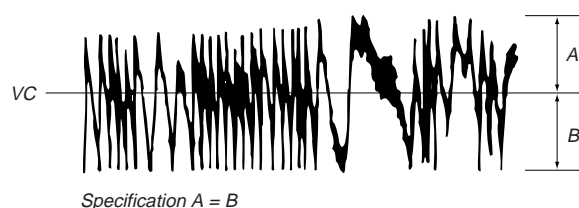
Connection :



Adjusting method :

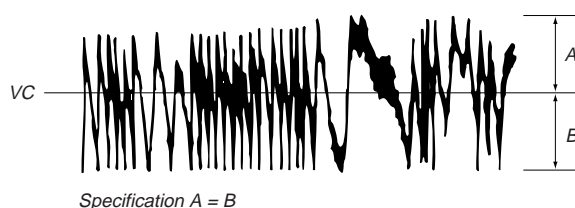
1. Connect an oscilloscope to CN110 pin ③ (TEO) and CN110 pin ② (VC) of the BD board.
2. Load a disc (any available on the market). (Refer to Note 1.)
3. Press the ◀ button or ▶ button and move the optical pick-up outside the pit.
4. Rotate the AMS knob and display "EFBAL ADJUST".
5. Press the YES button and display "EFB = MO-R".
(Laser power READ power/Focus servo ON/tracking servo OFF/spindle (S) servo ON)
6. Rotate the AMS knob so that the waveform of the oscilloscope becomes the specified value.
(When the AMS knob is rotated, the "EFB = MO-R" changes and the waveform changes.) In this adjustment, waveform varies at intervals of approx. 2%. Adjust the waveform so that the specified value is satisfied as much as possible.
(Read power traverse adjustment)

(Traverse Waveform)



7. Press the YES button and save the result of adjustment to the non-volatile memory ("EFB = MO-W" will be displayed for a moment. Then "EFB = MO-W" will be displayed).
8. Rotate the AMS knob so that the waveform of the oscilloscope becomes the specified value.
(When the AMS knob is rotated, the "EFB = MO-W" changes and the waveform changes.) In this adjustment, waveform varies at intervals of approx. 2%. Adjust the waveform so that the specified value is satisfied as much as possible.
(Write power traverse adjustment)

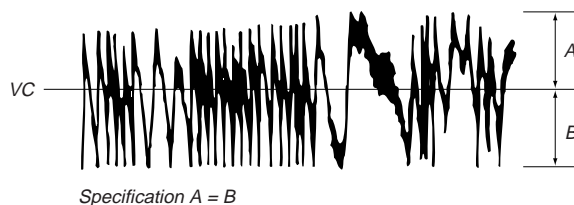
(Traverse Waveform)



9. Press the YES button, and save the adjustment results in the non-volatile memory. ("EFB = MO-P" will be displayed for a moment.)
10. "EFB = MO-P" will be displayed.
The optical pick-up moves to the pit area automatically and servo is imposed.

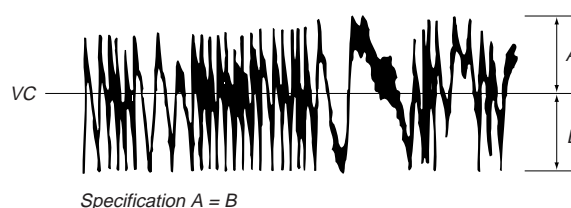
11. Rotate the AMS knob until the waveform of the oscilloscope moves closer to the specified value.
In this adjustment, waveform varies at intervals of approx. 2%. Adjust the waveform so that the specified value is satisfied as much as possible.

(Traverse Waveform)



12. Press the YES button, and save the adjustment results in the non-volatile memory. ("EFB = MO-CD" will be displayed for a moment.)
Next "EFBAL CD" is displayed. The disc stops rotating automatically.
13. Press the EJECT button and remove the disc.
14. Load the check disc (MD) TDYS-1.
15. Press the YES button and display "EFB = MO-CD". Servo is imposed automatically.
16. Rotate the AMS knob so that the waveform of the oscilloscope moves closer to the specified value.
In this adjustment, waveform varies at intervals of approx. 2%. Adjust the waveform so that the specified value is satisfied as much as possible.

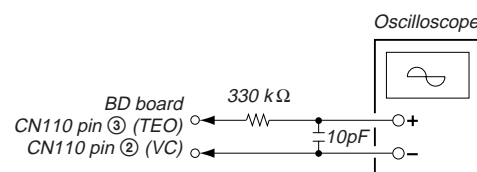
(Traverse Waveform)



17. Press the YES button, display "EFB = MO-CD" for a moment and save the adjustment results in the non-volatile memory.
Next "EFBAL ADJUST" will be displayed.
18. Press the EJECT button and remove the check disc (MD) TDYS-1.

Note 1 : MO reading data will be erased during if a recorded disc is used in this adjustment.

Note 2 : If the traverse waveform is not clear, connect the oscilloscope as shown in the following figure so that it can be seen more clearly.



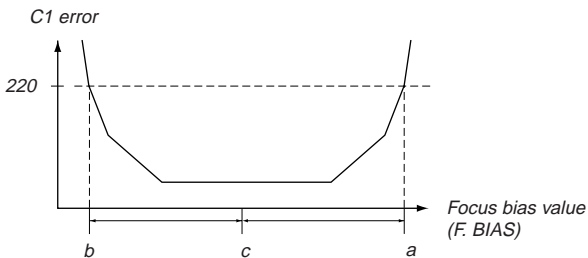
5-8. FOCUS BIAS ADJUSTMENT

Adjusting Method :

1. Load a continuously recorded disc (Refer to “5-4. Creating Continuously Recorded Disc”).
2. Rotate the AMS knob and display “CPLAY MODE”.
3. Press the YES button and display “CPLAY MID”.
4. Press the NO button when “C1 = 0000 AD = 00” is displayed.
5. Rotate the AMS knob and display “FBIAS ADJUST”.
6. Press the YES button and display “0000/00 a = 00”.
The first four digits indicate the C1 error rate, the two digits after [/] indicate ADER, and the 2 digits after [a =] indicate the focus bias value.
7. Rotate the AMS knob in the clockwise direction and find the focus bias value at which the C1 error rate becomes 220 (Refer to Note 2).
8. Press the YES button and display “0000/00 b = 00”.
9. Rotate the AMS knob in the counterclockwise direction and find the focus bias value at which the C1 error rate becomes 220.
10. Press the YES button and display “0000/00 c = 00”.
11. Check that the C1 error rate is below 50 and ADER is 00. Then press the YES button.
12. If the “(00)” in “00 - 00 - 00 (00)” is above 20, press the YES button.
If below 20, press the NO button and repeat the adjustment from step 2.
13. Press the \triangleleft EJECT button to remove the continuously recorded disc.

Note 1 : The relation between the C1 error and focus bias is as shown in the following figure. Find points a and b in the following figure using the above adjustment. The focal point position C is automatically calculated from points a and b.

Note 2 : As the C1 error rate changes, perform the adjustment using the average value.



5-9. ERROR RATE CHECK

5-9-1. CD Error Rate Check

Checking Method :

1. Load a check disc (MD) TDYS-1.
2. Rotate the AMS knob and display “CPLAY MODE”.
3. Press the YES button twice and display “CPLAY MID”.
4. The display changes to “C1 = 0000 AD = 00”.
5. Check that the C1 error rate is below 20.
6. Press the NO button, stop playback, press the \triangleleft EJECT button, and remove the test disc.

5-9-2. MO Error Rate Check

Checking Method :

1. Load a continuously recorded disc (Refer to “5-4. Creating Continuously Recorded Disc”).
2. Rotate the AMS knob and display “CPLAY MODE”.
3. Press the YES button and display “CPLAY MID”.
4. The display changes to “C1 = 0000 AD = 00”.
5. If the C1 error rate is below 50, check that ADER is 00.
6. Press the NO button, stop playback, press the \triangleleft EJECT button, and remove the continuously recorded disc.

5-10. FOCUS BIAS CHECK

Change the focus bias and check the focus tolerance amount.

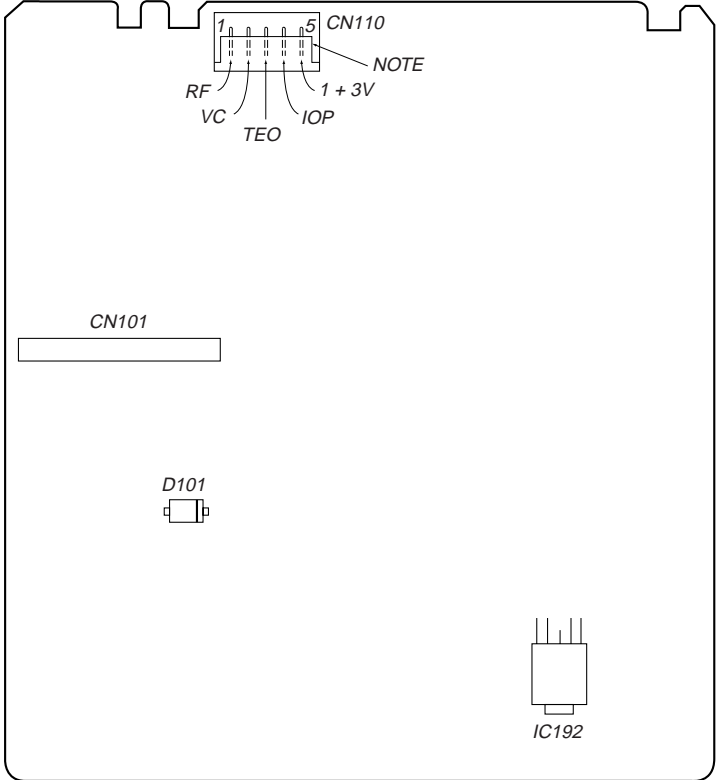
Checking Method :

1. Load a continuously recorded disc (Refer to “5-4. Creating Continuously Recorded Disc”).
2. Rotate the AMS knob and display “CPLAY MODE”.
3. Press the YES button twice and display “CPLAY MID”.
4. Press the NO button when “C1 = 0000 AD = 00” is displayed.
5. Rotate the AMS knob and display “FBIAS CHECK”.
6. Press the YES button and display “0000/00 c = 00”.
The first four digits indicate the C1 error rate, the two digits after [/] indicate ADER, and the 2 digits after [c =] indicate the focus bias value.
Check that the C1 error is below 50 and ADER is 00.
7. Press the YES button and display “0000/00 b = 00”.
Check that the C1 error is not below 220 and ADER is not above 00 every time.
8. Press the YES button and display “0000/00 a = 00”.
Check that the C1 error is not below 220 and ADER is not above 00 every time.
9. Press the NO button, next press the \triangleleft EJECT button, and remove the continuously recorded disc.

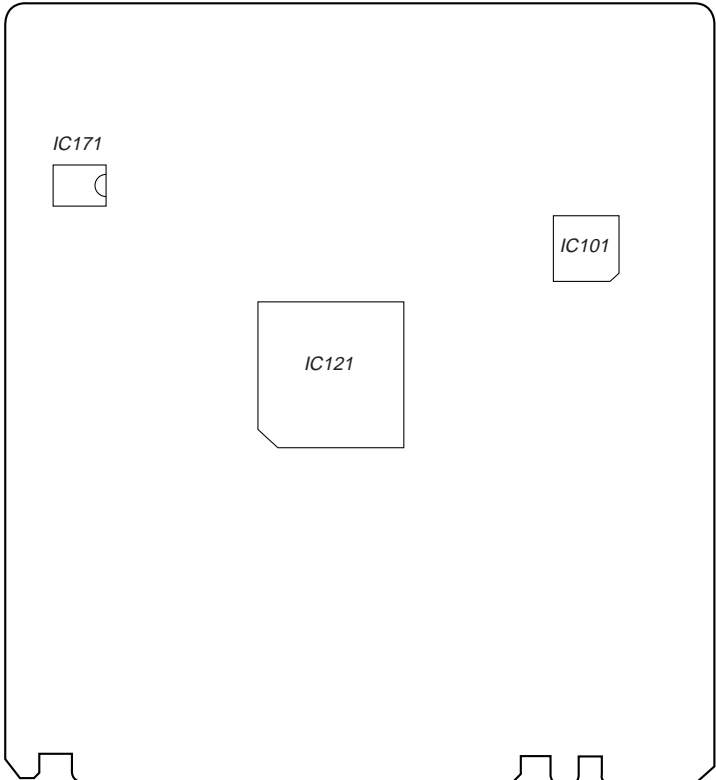
Note 1 : If the C1 error and ADER are above 00 at points a (step 8. in the above) or b (step 7. in the above), the focus bias adjustment may not have been carried out properly. Adjust perform the beginning again.

5-11. ADJUSTING POINTS AND CONNETING POINTS

[BD BOARD] (SIDE A)



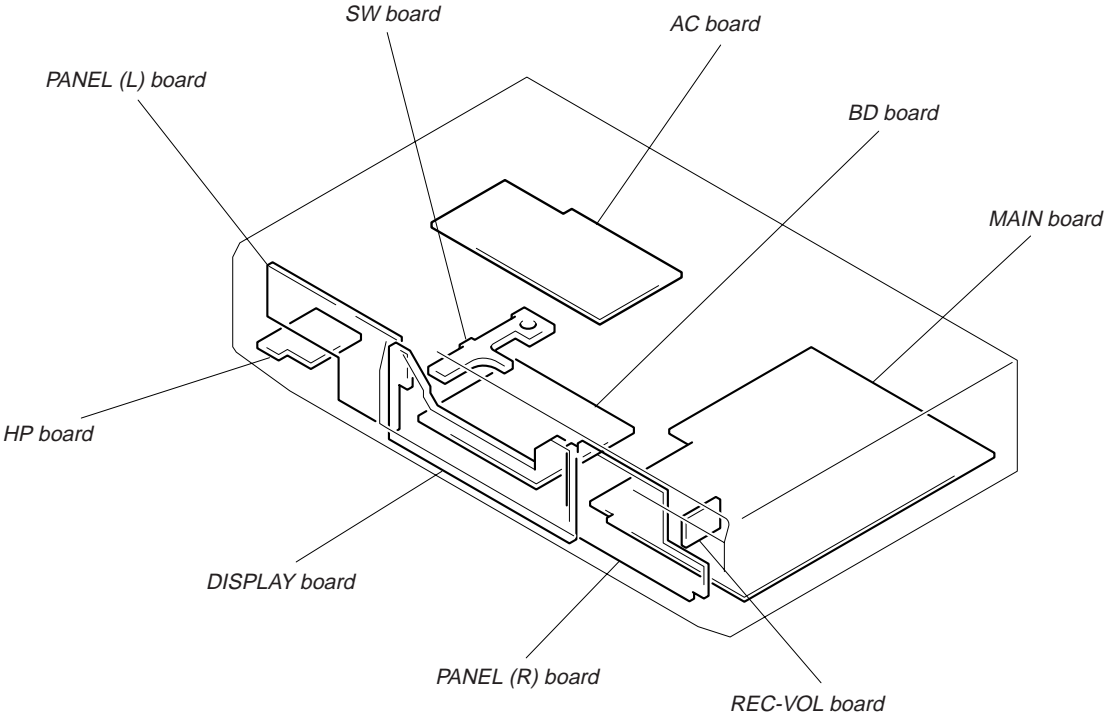
[BD BOARD] (SIDE B)



NOTE : It is useful to use the jig. for checking the waveform.
(Refer to Servicing Note on page 5.)

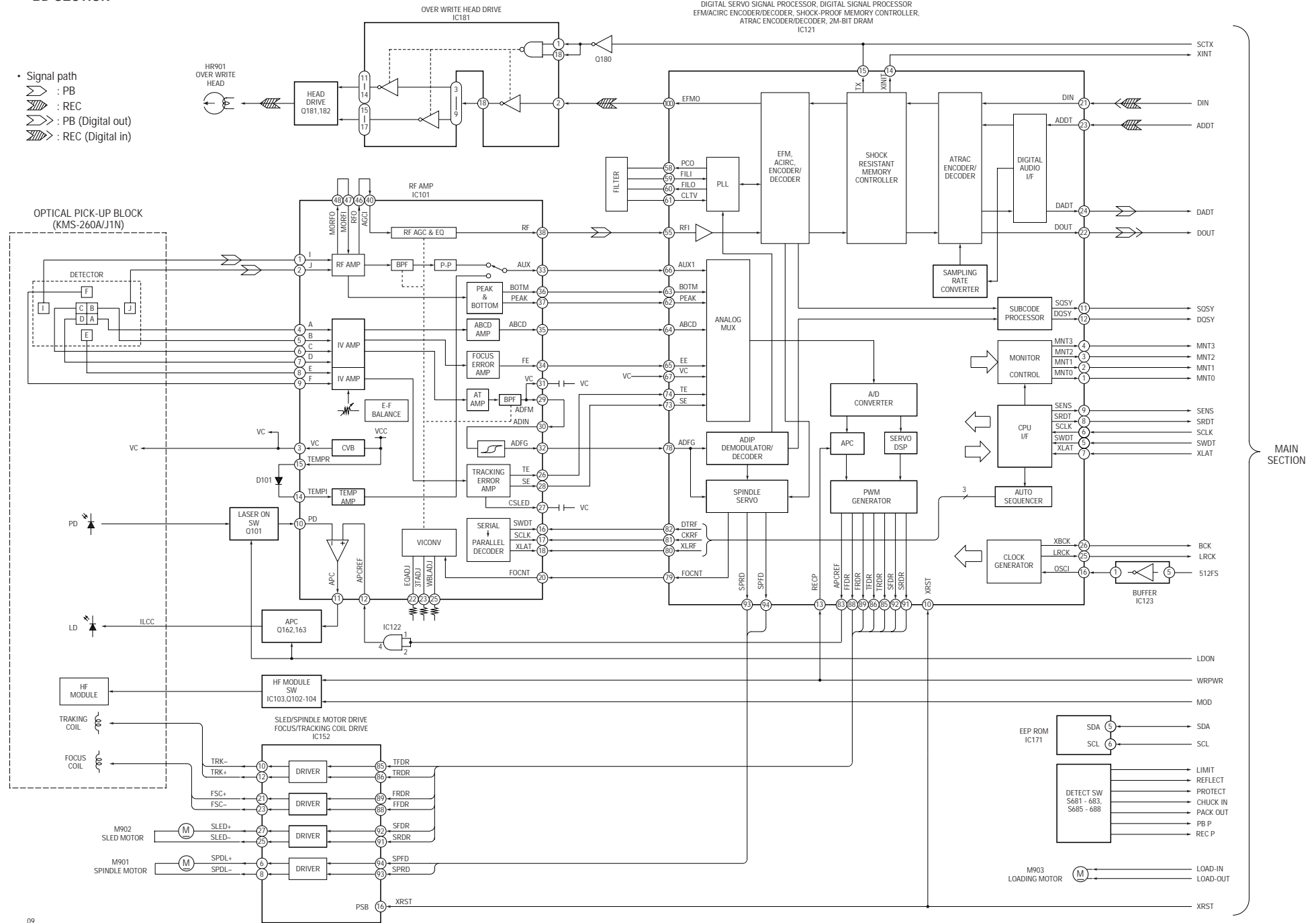
SECTION 6 DIAGRAMS

6-1. CIRCUIT BOARDS LOCATION



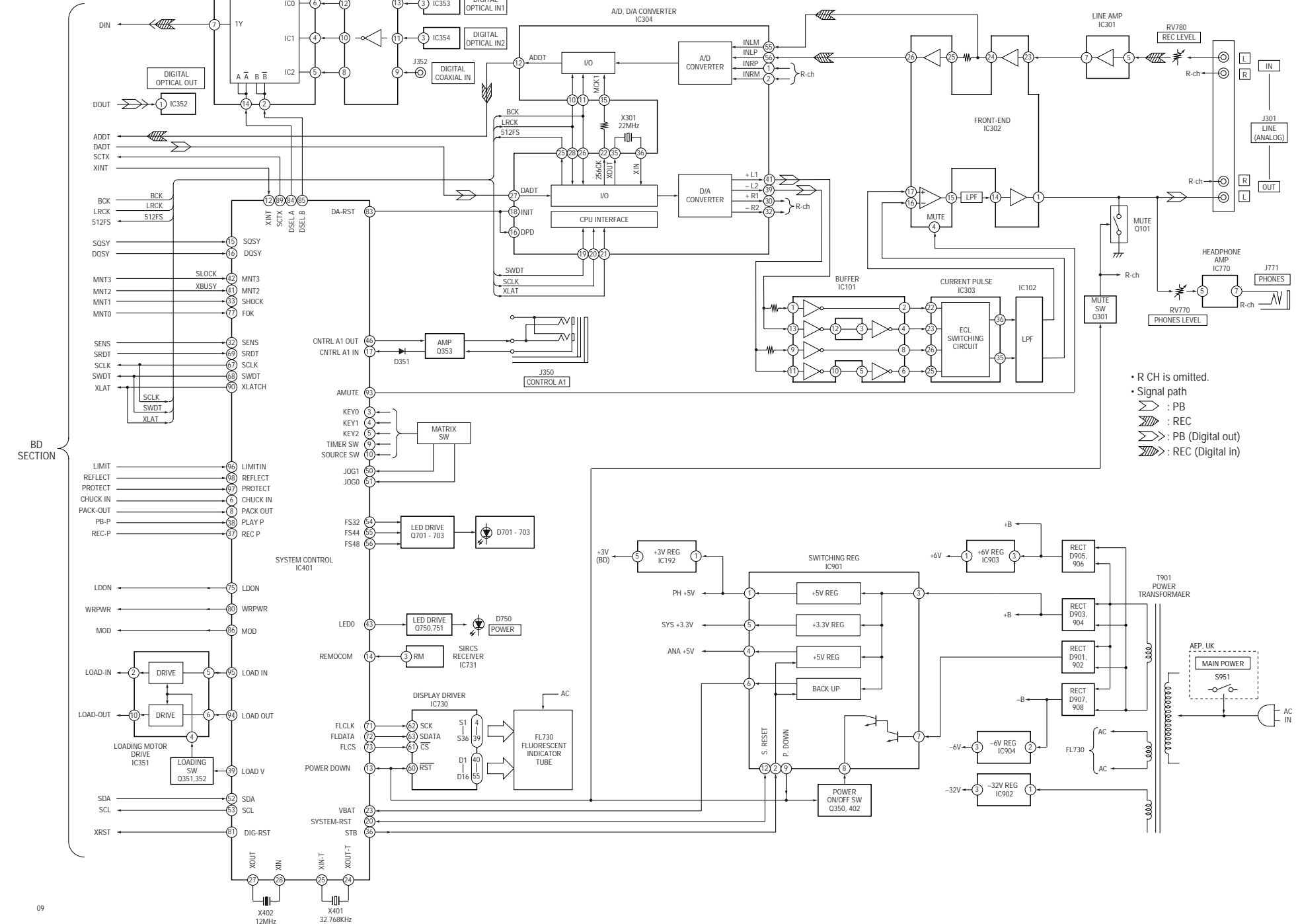
6-2. BLOCK DIAGRAMS
— BD SECTION —

- Signal path
- ▬ : PB
- ▬▬ : REC
- ▬▬▬ : PB (Digital out)
- ▬▬▬▬ : REC (Digital in)



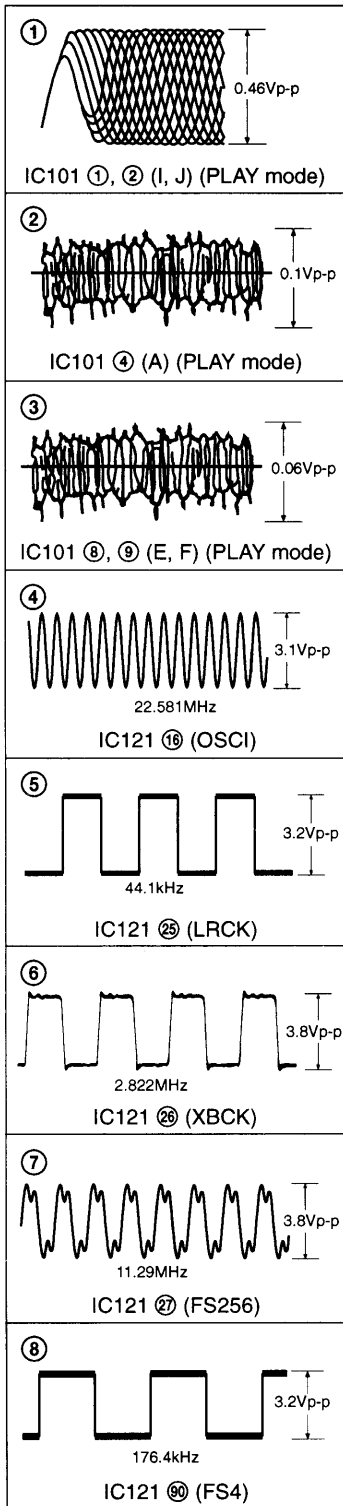
MAIN SECTION

— MAIN SECTION —

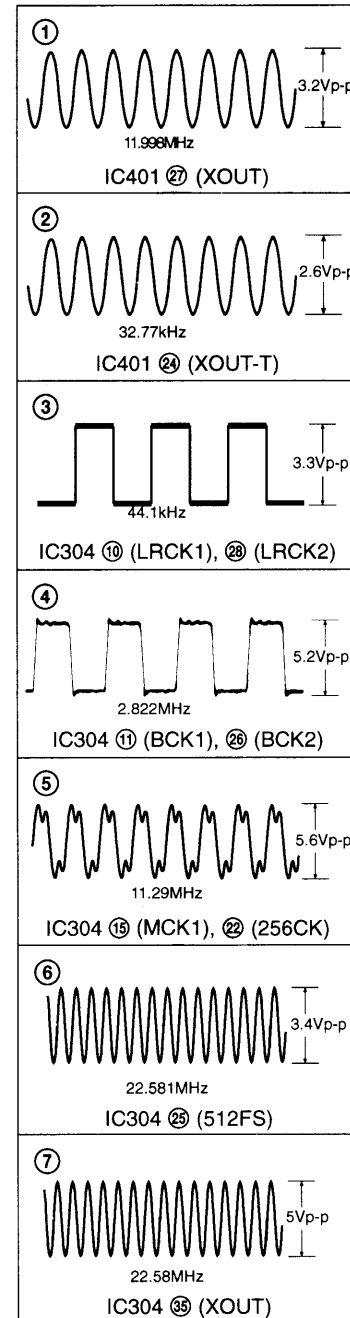


6-3. WAVEFORMS

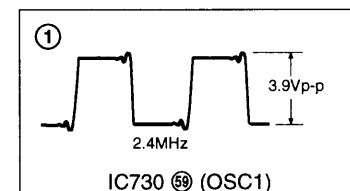
BD SECTION



DIGITAL SECTION



PANEL SECTION



THIS NOTE IS COMMON FOR PRINTED WIRING BOARDS AND SCHEMATIC DIAGRAMS. (In addition to this, the necessary note is printed in each block.)

NOTE

- : parts extracted from the component side.
- : Through hole.
- ▨ : Pattern from the side which enable seeing.
- ▩ : Pattern of the rear side.

NOTE

- All capacitors are in μF unless otherwise noted. pF : μpF
- 50WV or less are not indicated except for electrolytics and tantalums.
- All resistors are in Ω and 1/4W or less unless otherwise specified.
- Δ : internal component.
- \square : fusible resistor.
- \square : panel designation.

Note:

The components identified by mark Δ or dotted line with mark Δ are critical for safety. Replace only with part number specified.

Note:

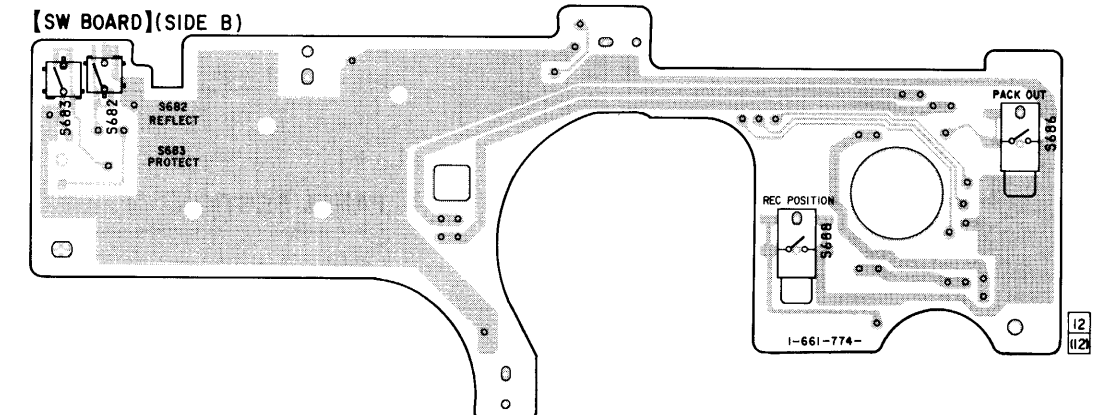
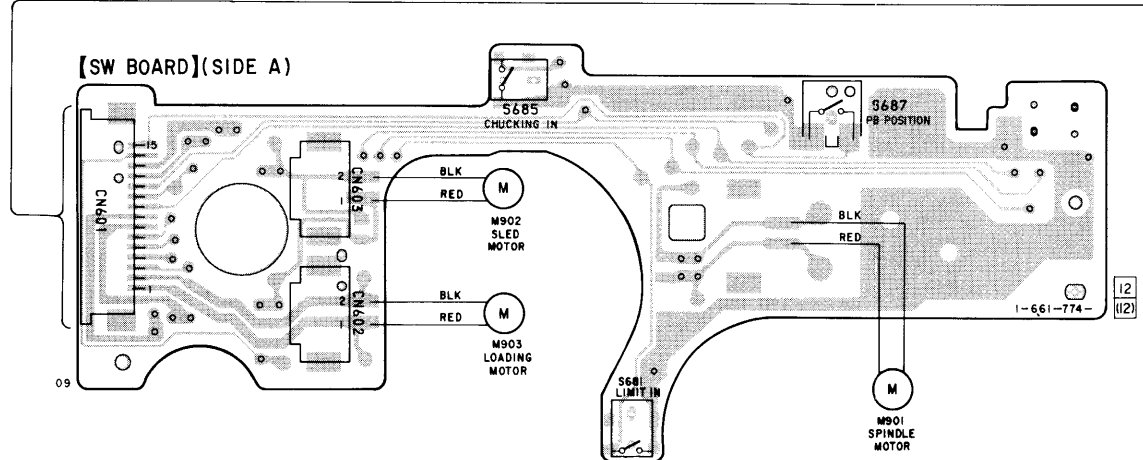
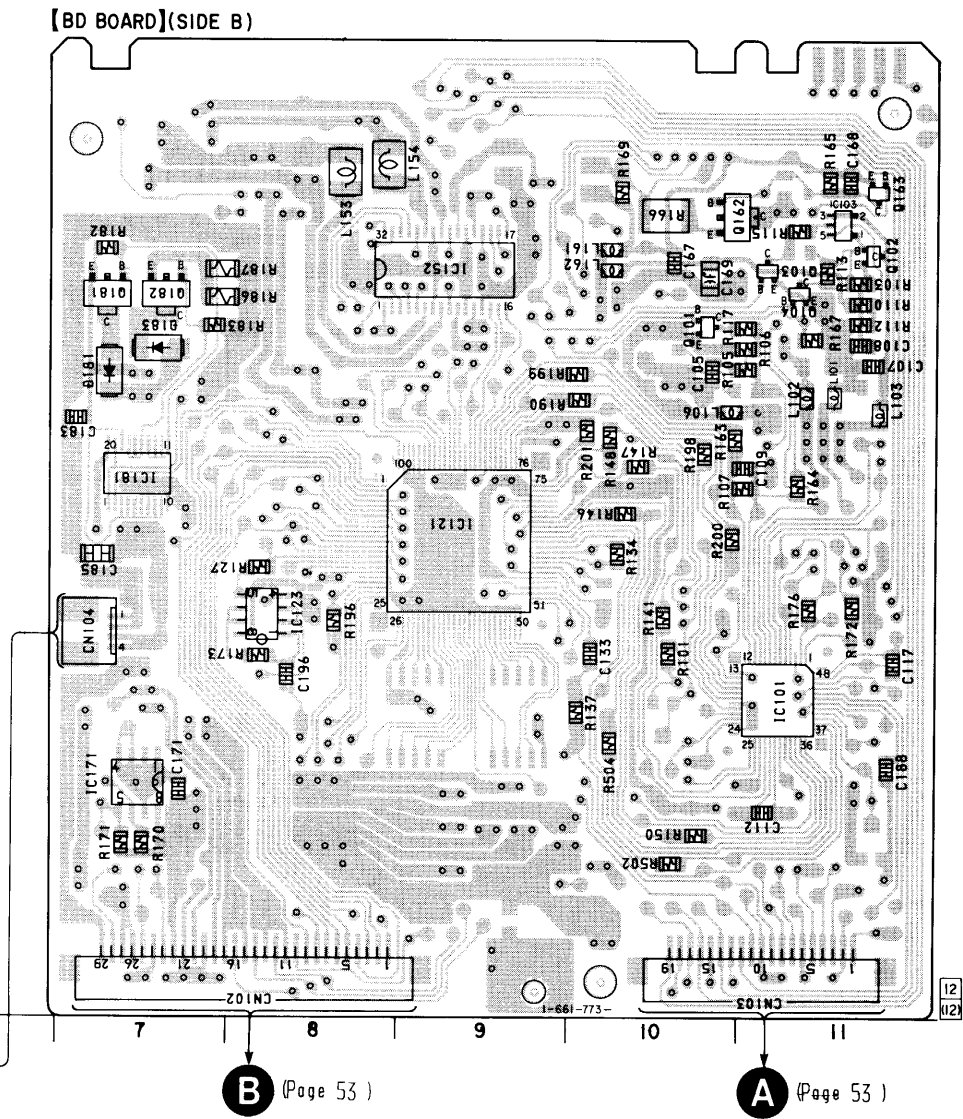
Les composants identifiés par une marque Δ sont critiques pour la sécurité. Ne les remplacer que par une pièce portant le numéro spécifié.

- \square B+ : B+ Line
- \square B- : B- Line
- \square : adjustment for repair.
- Voltage and waveforms are dc with respect to ground under no-signal conditions.
- no mark : STOP
- () : Play the test disc (TDYS-1)
- < > : REC
- * : can not be measured.
- Voltages are taken with a VOM (Input impedance 10M Ω). Voltage variations may be noted due to normal production tolerances.
- Waveforms are taken with a oscilloscope. Voltage variations may be noted due to normal production tolerances.
- Circled numbers refer to waveforms.
- Signal path.
- \square : PB
- \square : PB (Digital out)
- \square : REC
- \square : REC (Digital in)
- Abbreviation
- CND : Canadian model.

6-4. PRINTED WIRING BOARD — BD SECTION —
 • See page 36 for Circuit Boards Location.

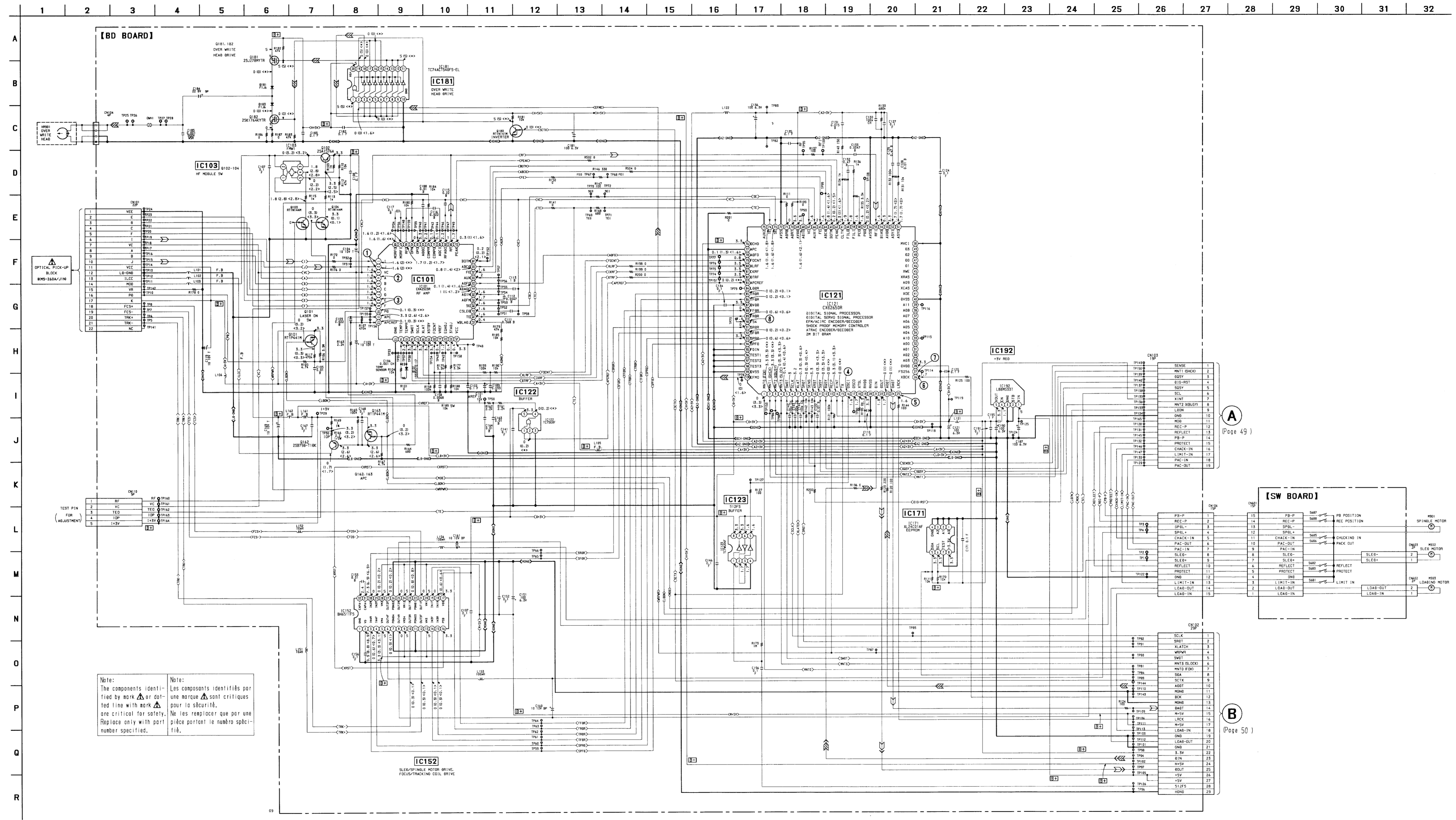
• Semiconductor Location

Ref. No.	Location
D101	D-2
D181	B-7
D183	B-7
IC101	D-11
IC103	B-11
IC121	C-9
IC122	C-3
IC123	D-8
IC152	B-9
IC171	E-7
IC181	C-7
IC192	F-5
Q101	B-10
Q102	B-11
Q103	B-11
Q104	B-11
Q162	B-11
Q163	A-11
Q180	C-5
Q181	B-7
Q182	B-7



6-5. SCHEMATIC DIAGRAM — BD SECTION —

- See page 41 for Waveforms.
- See page 61 for IC Block Diagrams.
- See page 67 for IC Pin Functions.



1
2
3
4
5
6
7
8
9
10
11
12
13
14
15
16
17
18
19
20
21
22
23
24
25
26
27
28
29
30
31
32

A
B
C
D
E
F
G
H
I
J
K
L
M
N
O
P
Q
R

1	SENSE
2	MNT1 (CHECK)
3	SSBY
4	SIG-RST
5	SSBY
6	SSBY
7	MNT2
8	MNT2 (BUSY)
9	LOW
10	DM
11	MDB
12	REC-P
13	REFLECT
14	SP-B
15	PROTECT
16	CHECK-IN
17	CLIM-IN
18	PAC-IN
19	PAC-OUT

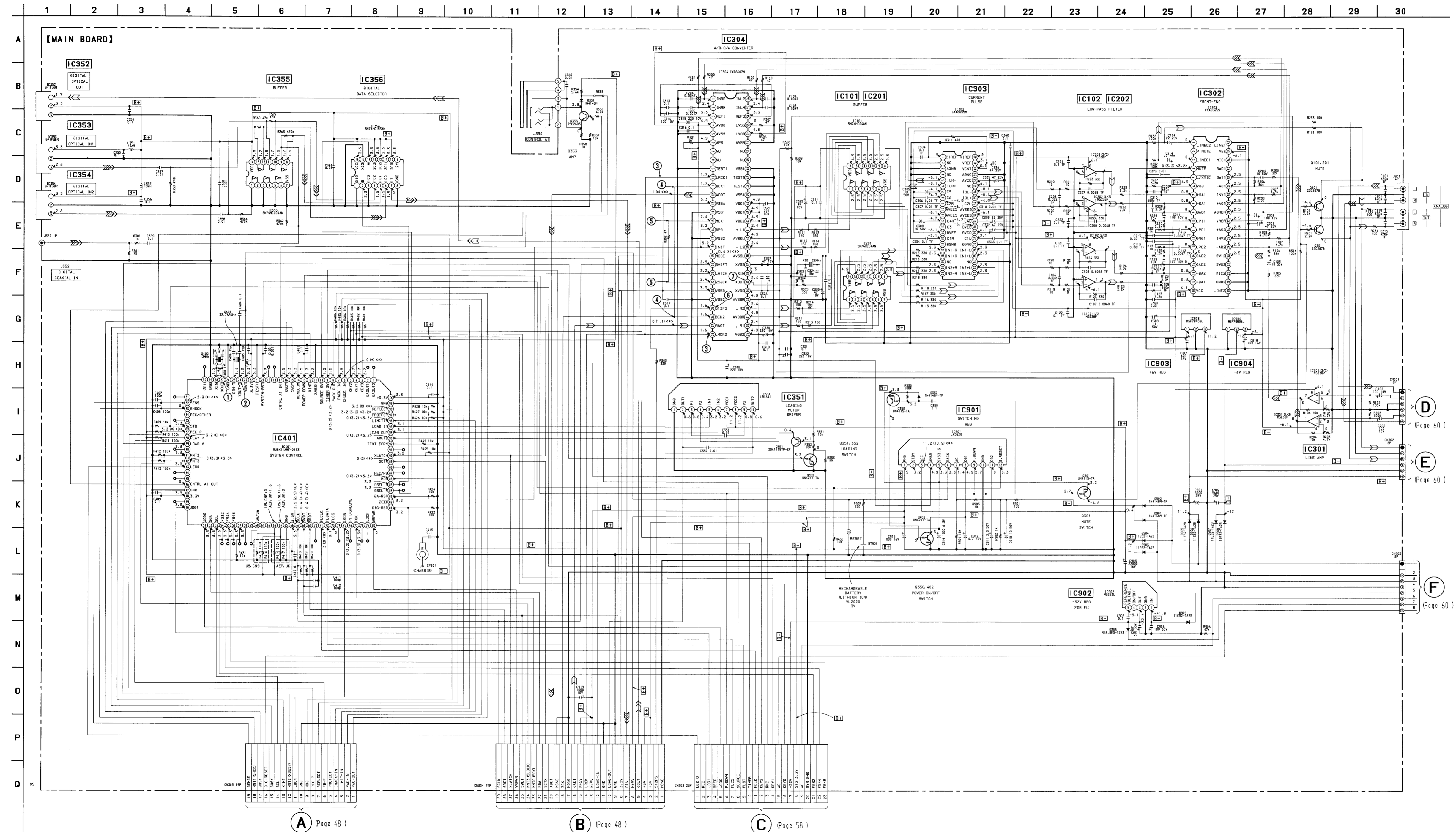
1	SELK
2	SLATCH
3	MWPR
4	SWT
5	MNT2 (CHECK)
6	ASST
7	SEA
8	SLTA
9	ASST
10	MND
11	ASST
12	BCK
13	HOME
14	DMST
15	M-SW
16	LICK
17	M-SW
18	LOAD-IN
19	DM
20	LOAD-OUT
21	DM
22	S-W
23	DM
24	W-SW
25	DM
26	W-SW
27	DM
28	W-SW
29	DM

(Page 49)

(Page 50)

6-6. SCHEMATIC DIAGRAM — MAIN SECTION —

- See page 41 for Waveforms.
- See page 64 for IC Block Diagrams.
- See page 71 for IC Pin Functions.



A (Page 48)

B (Page 48)

C (Page 58)

D (Page 60)

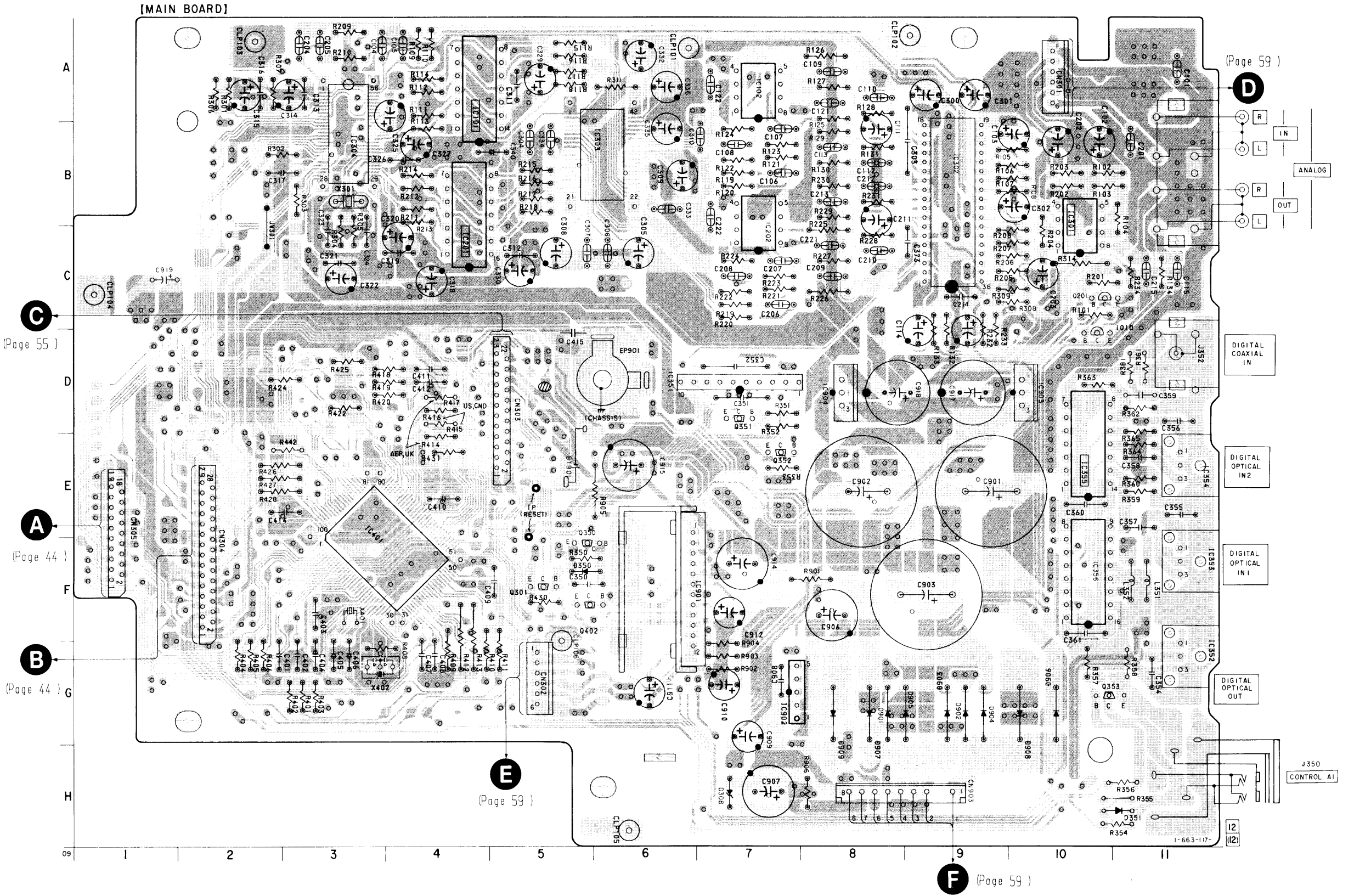
E (Page 60)

F (Page 60)

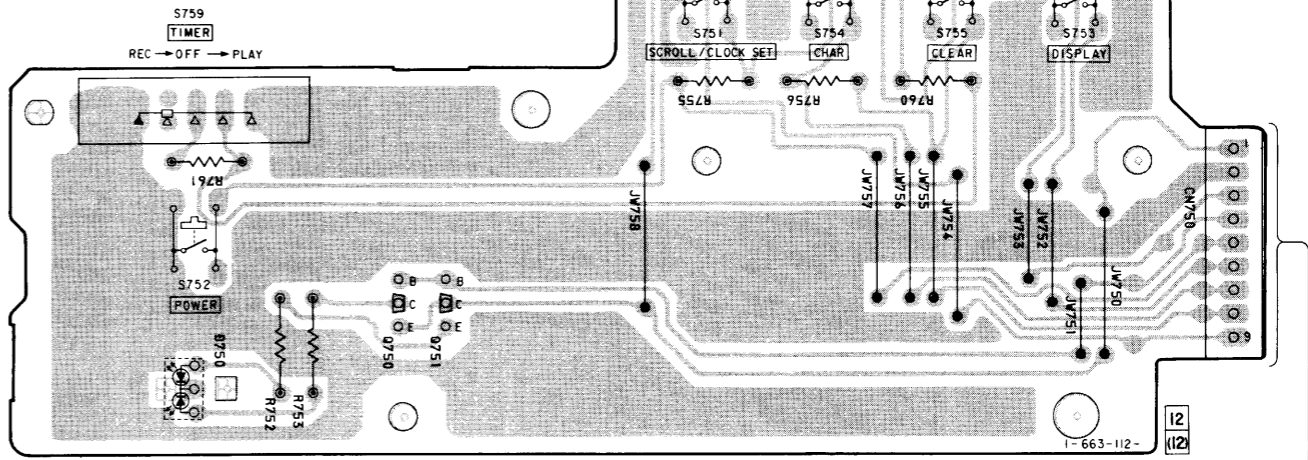
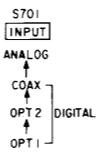
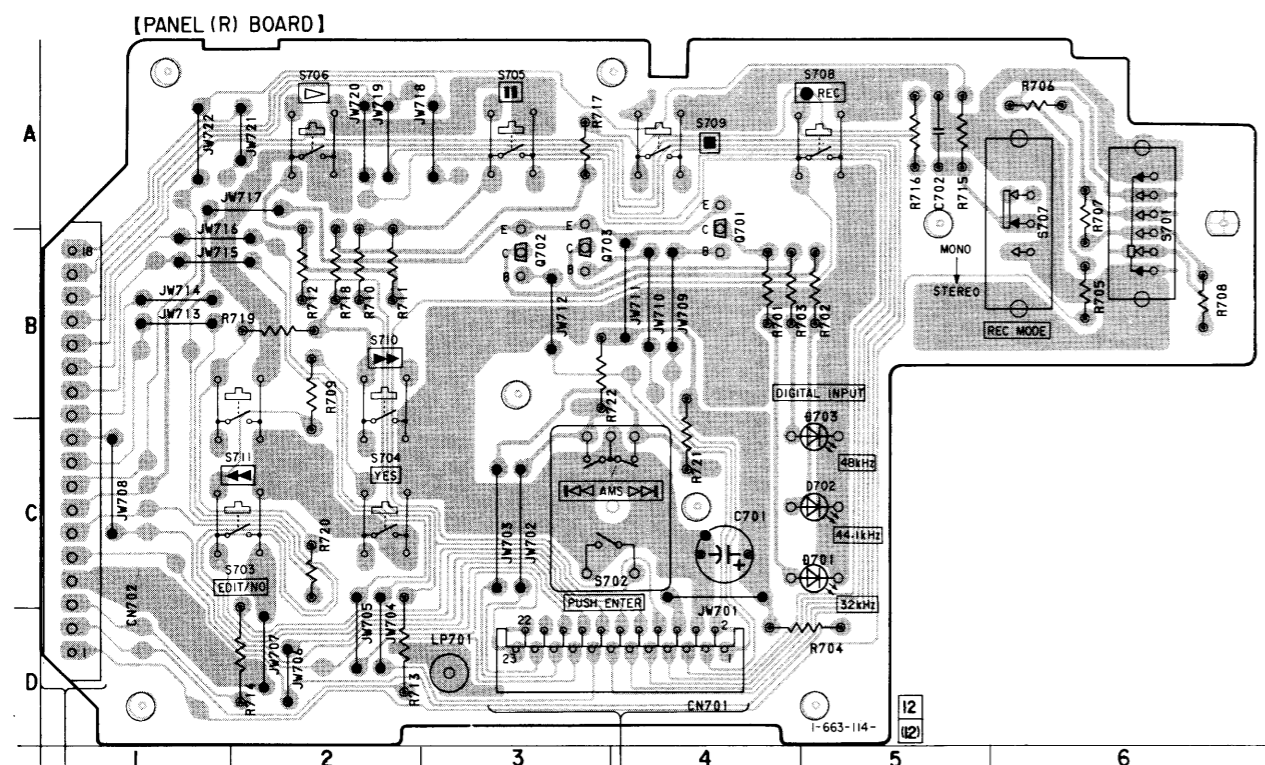
6-7. PRINTED WIRING BOARD — MAIN SECTION —
 • See page 36 for Circuit Boards Location.

• Semiconductor Location

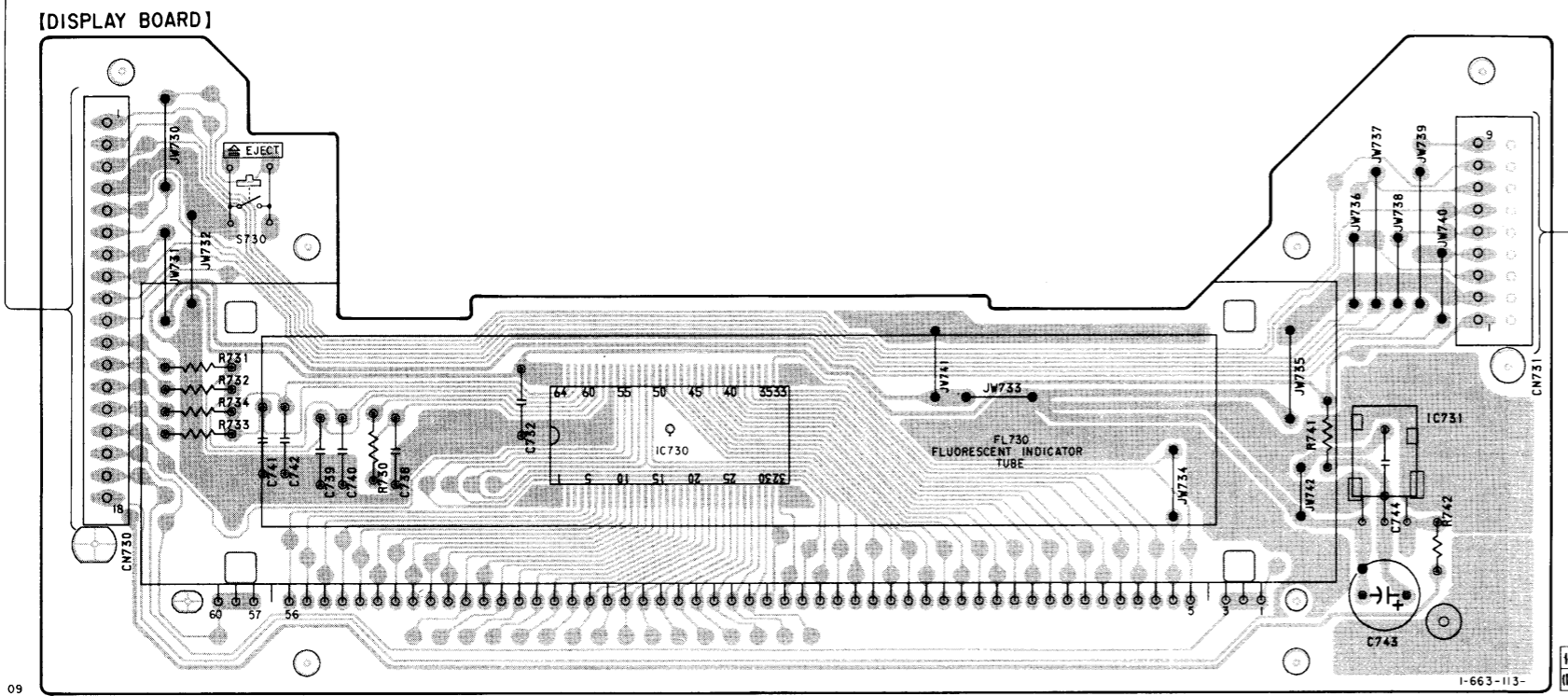
Ref. No.	Location
D308	H-7
D350	F-5
D351	H-11
D901	G-8
D902	G-9
D903	G-9
D904	G-9
D905	G-9
D906	G-10
D907	G-8
D908	G-10
D909	G-8
IC101	A-4
IC102	A-7
IC201	C-4
IC202	C-7
IC301	B-10
IC302	B-9
IC303	B-6
IC304	B-3
IC351	D-6
IC352	G-11
IC353	F-11
IC354	E-11
IC355	E-10
IC356	F-10
IC401	E-3
IC901	F-7
IC902	G-7
IC903	D-10
IC904	D-8
Q101	C-11
Q201	C-10
Q301	F-5
Q350	E-5
Q351	D-7
Q352	E-7
Q353	F-5
Q402	F-5



6-8. PRINTED WIRING BOARD — PANEL SECTION —
 • See page 36 for Circuit Boards Location.



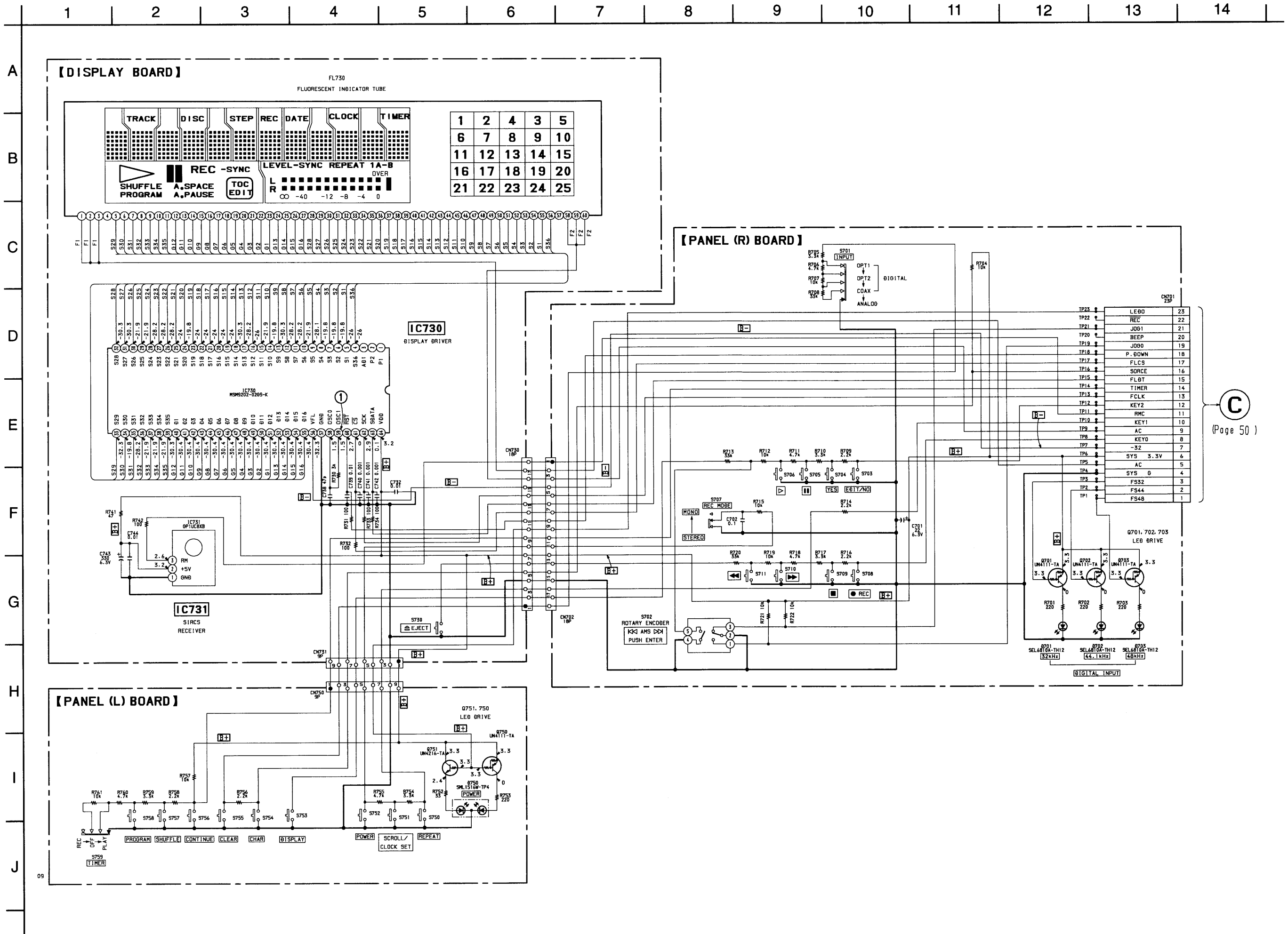
(Page 53) **C**



• Semiconductor Location

Ref. No.	Location
D701	C-5
D702	C-5
D703	C-5
Q701	B-4
Q702	B-3
Q703	B-3

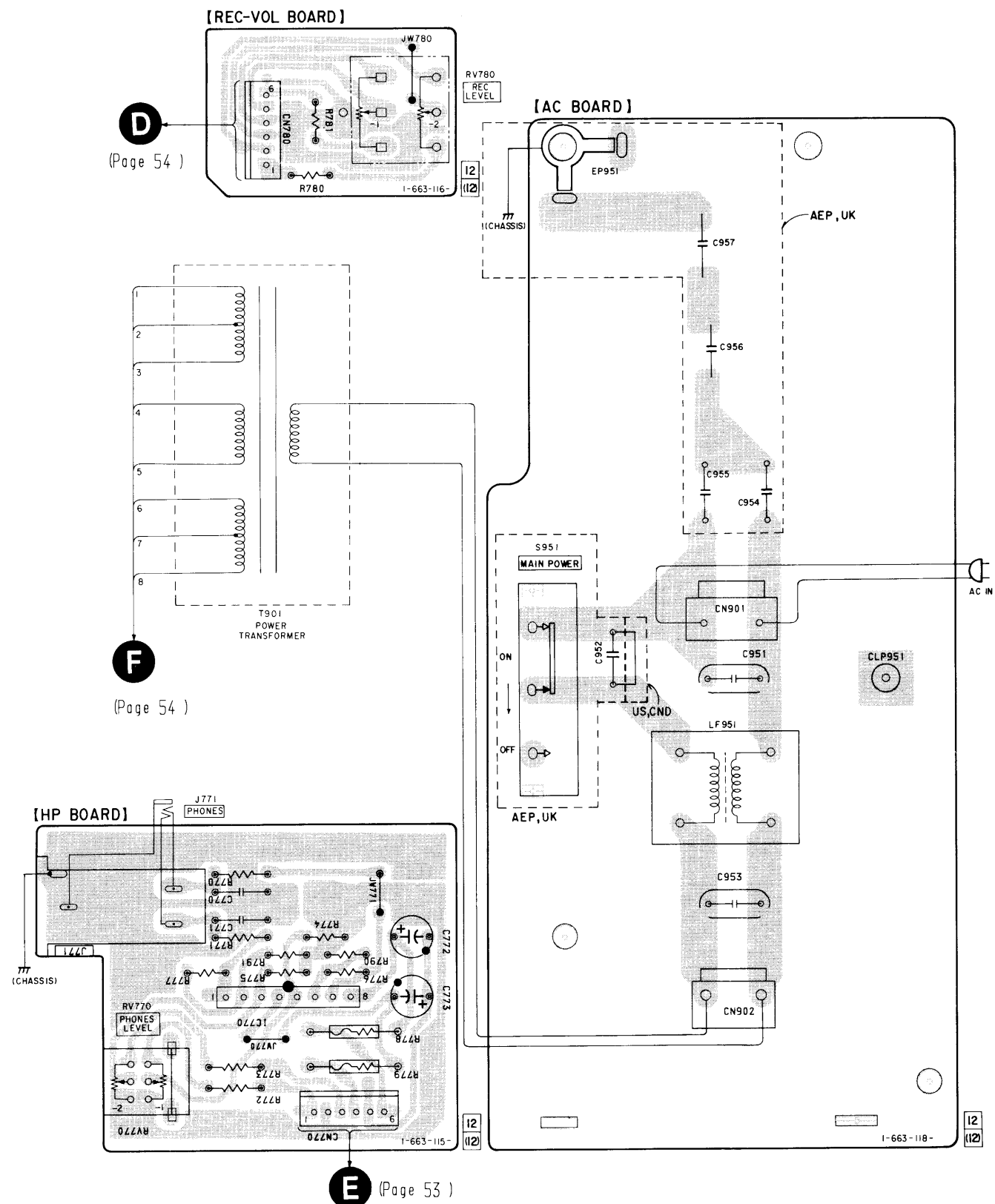
6-9. SCHEMATIC DIAGRAM — PANEL SECTION —
• See page 41 for Waveforms.



(Page 50)

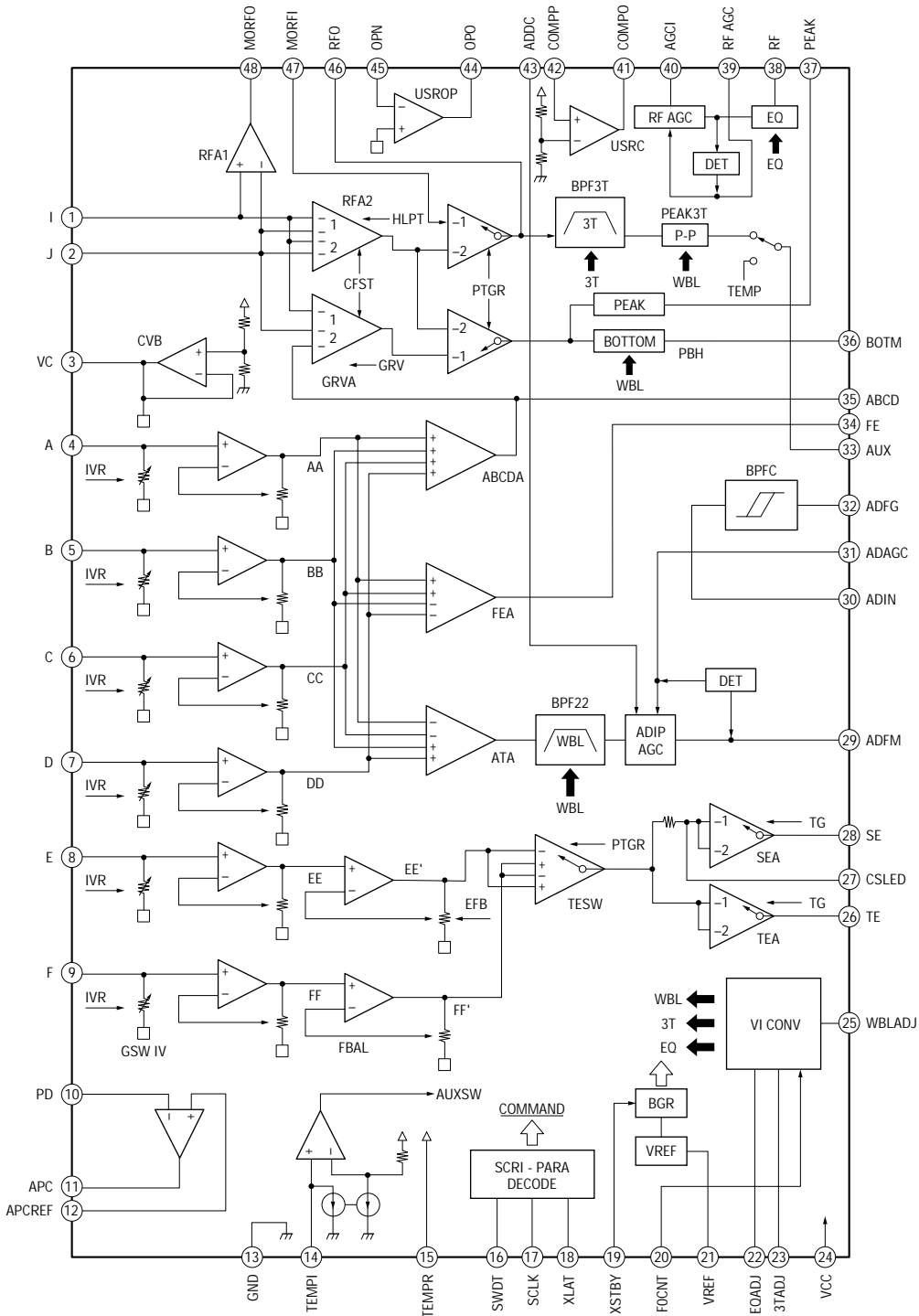
6-10. PRINTED WIRING BOARD — HP SECTION —

• See page 36 for Circuit Boards Location.

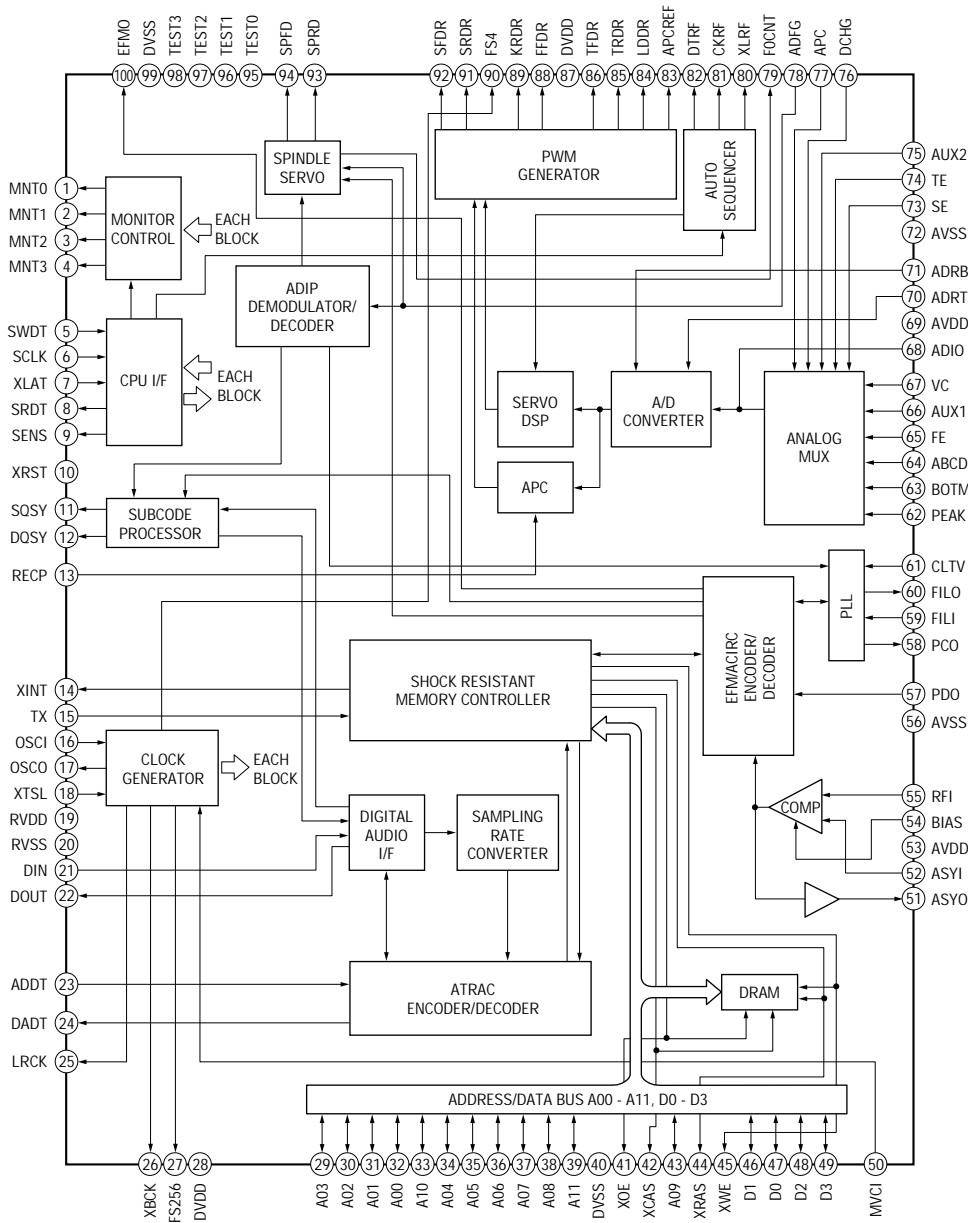


6-12. IC BLOCK DIAGRAMS

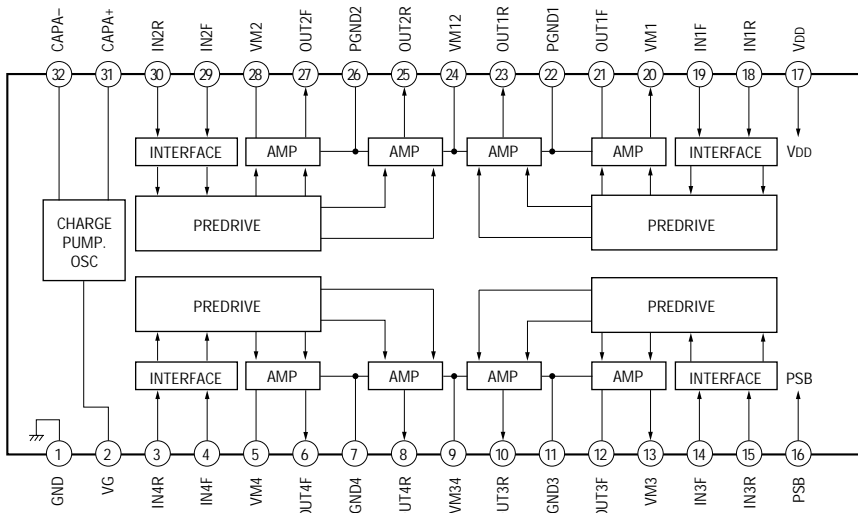
IC101 CXA2523R



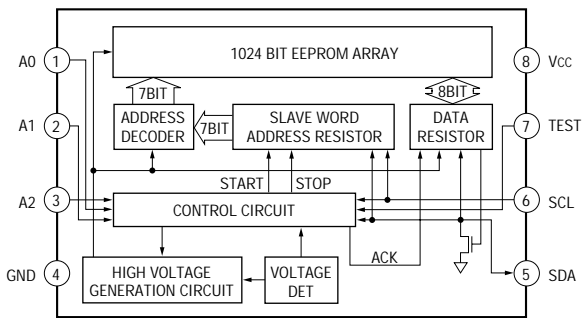
IC121 CXD2650R



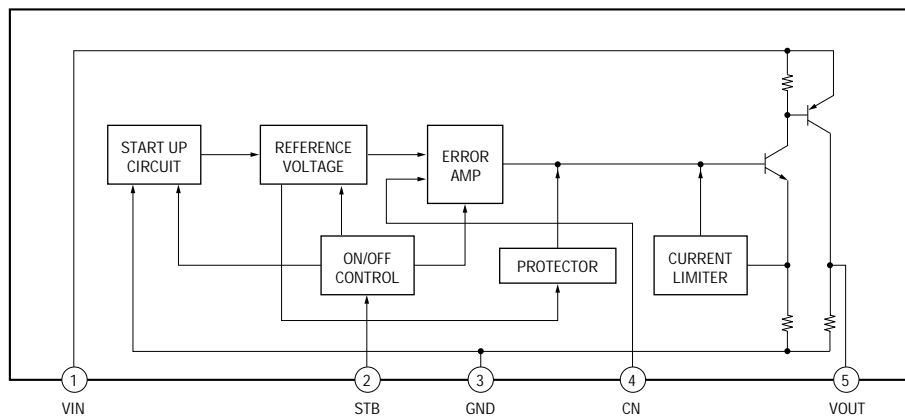
IC152 BH6511FS-E2



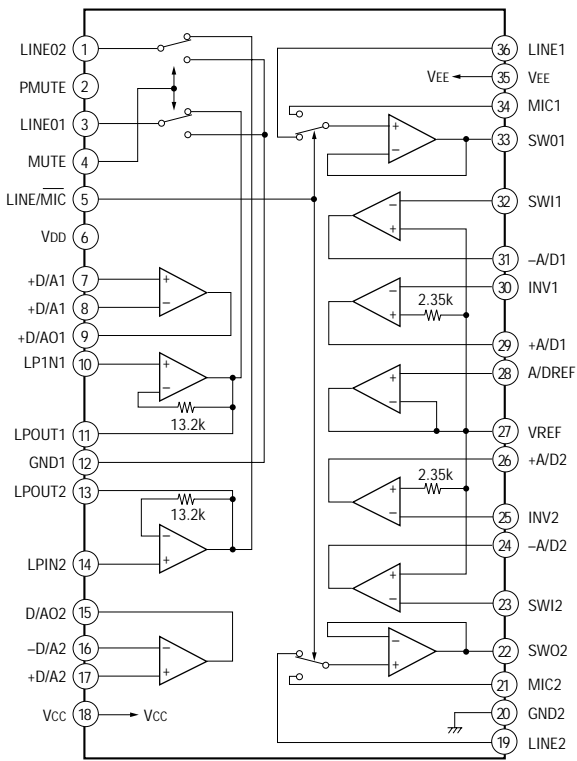
IC171 XL24C01AF-E2



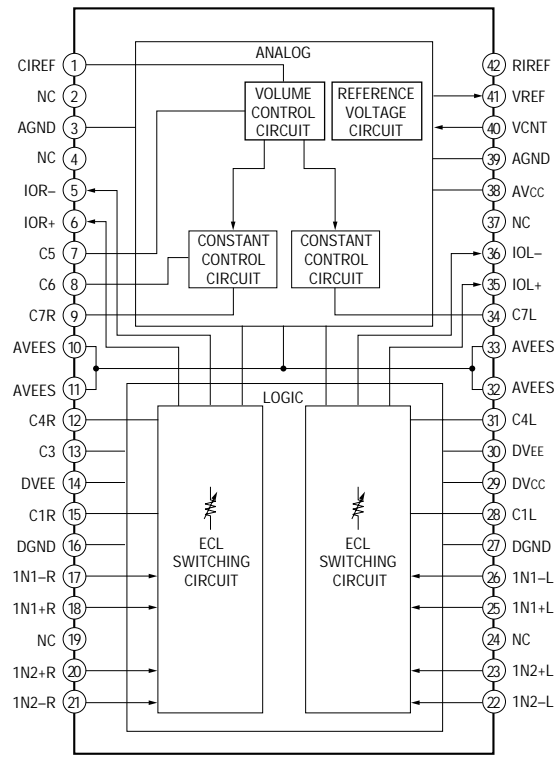
IC192 L88MS33T-TL



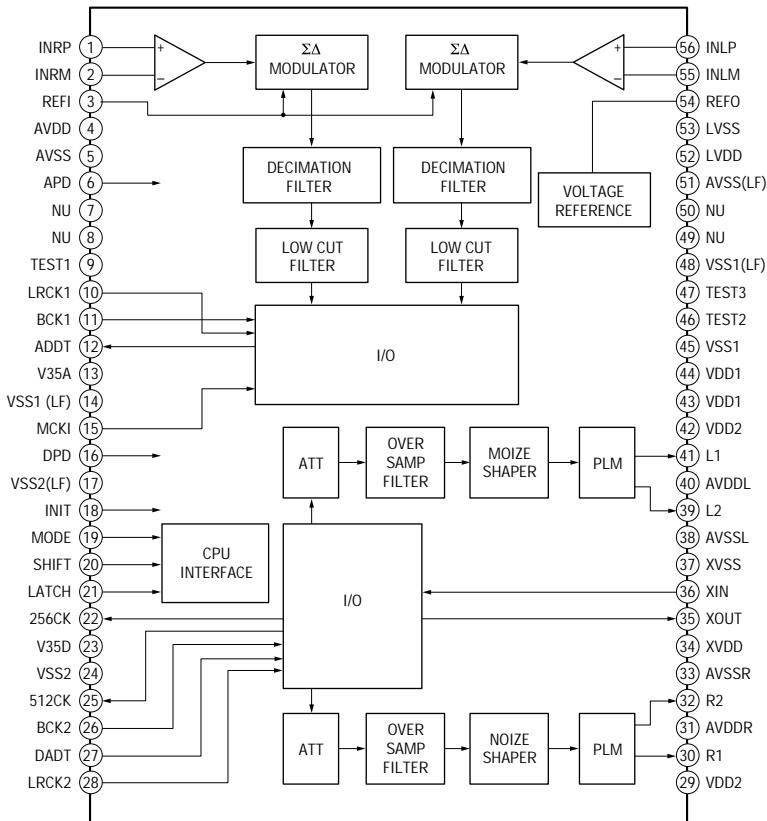
IC302 CXA8065S



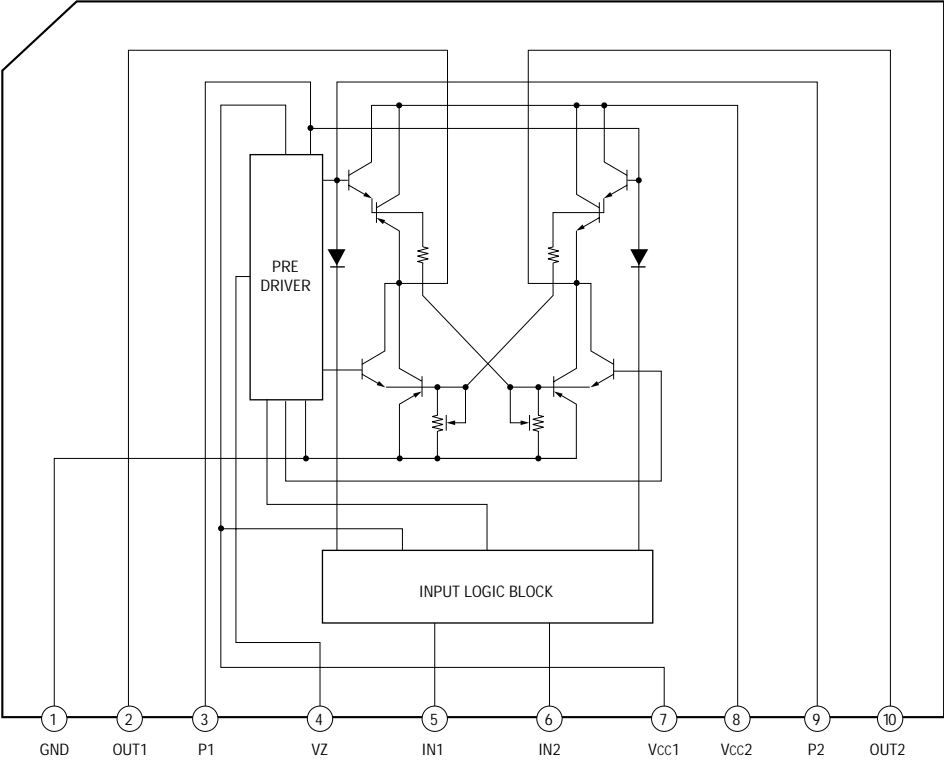
IC303 CXA8055M



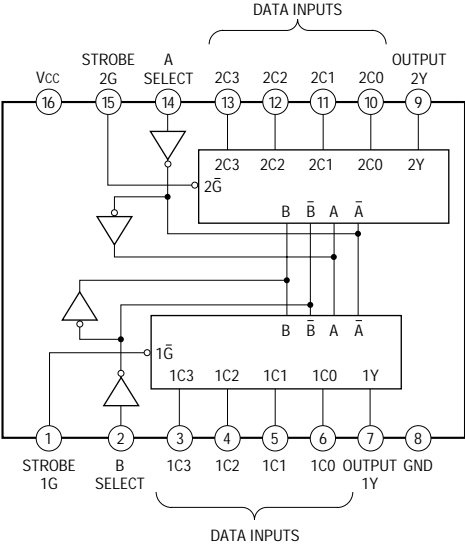
IC304 CXD8607N



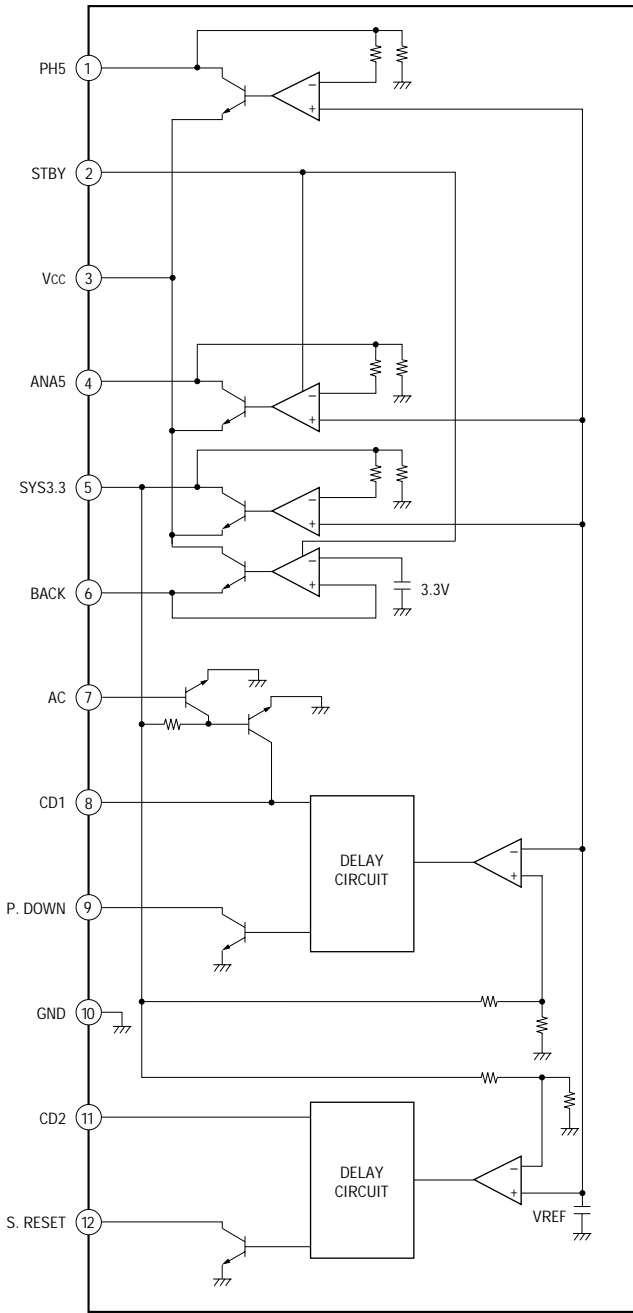
IC351 LB1641



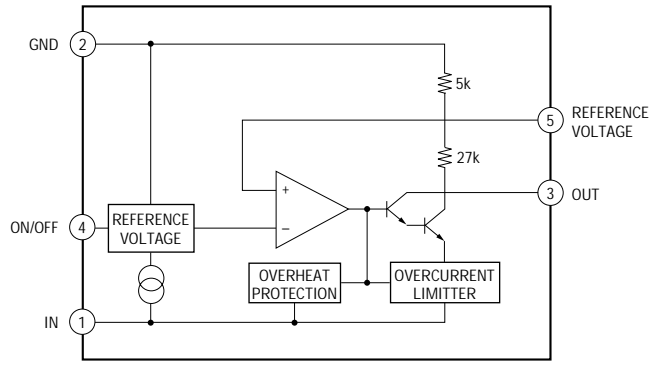
IC356 SN74HC153AN



IC901 LA5620



IC902 M5293L



6-13. IC PIN FUNCTIONS

• IC101 RF Amplifier (CXA2523R)

Pin No.	Pin Name	I/O	Function
1	I	I	I-V converted RF signal I input
2	J	I	I-V converted RF signal J input
3	VC	O	Middle point voltage (+1.5V) generation output
4 to 9	A to F	I	Signal input from the optical pick-up detector
10	PD	I	Light amount monitor input
11	APC	O	Laser APC output
12	APCREF	I	Reference voltage input for setting laser power
13	GND	—	Ground
14	TEMPI	I	Temperature sensor connection
15	TEMPR	O	Reference voltage output for the temperature sensor
16	SWDT	I	Serial data input from the CXD2650R
17	SCLK	I	Serial clock input from the CXD2650R
18	XLAT	I	Latch signal input from the CXD2650R “L”: Latch
19	XSTBY	I	Stand by signal input “L”: Stand by
20	FOCNT	I	Center frequency control voltage input of BPF22, BPF3T, EQ from the CXD2650R
21	VREF	O	Reference voltage output (Not used)
22	EQADJ	I/O	Center frequency setting pin for the internal circuit EQ
23	3TADJ	I/O	Center frequency setting pin for the internal circuit BPF3T
24	Vcc	—	+3V power supply
25	WBLADJ	I/O	Center frequency setting pin for the internal circuit BPF22
26	TE	O	Tracking error signal output to the CXD2650R
27	CSLED	—	External capacitor connection pin for the sled error signal LPF
28	SE	O	Sled error signal output to the CXD2650R
29	ADFM	O	FM signal output of ADIP
30	ADIN	I	ADIP signal comparator input ADFM is connected with AC coupling
31	ADAGC	—	External capacitor connection pin for AGC of ADIP
32	ADFG	O	ADIP duplex signal output to the CXD2650R
33	AUX	O	I ₃ signal/temperature signal output to the CXD2650R (Switching with a serial command)
34	FE	O	Focus error signal output to the CXD2650R
35	ABCD	O	Light amount signal output to the CXD2650R
36	BOTM	O	RF/ABCD bottom hold signal output to the CXD2650R
37	PEAK	O	RF/ABCD peak hold signal output to the CXD2650R
38	RF	O	RF equalizer output to the CXD2650R
39	RFAGC	—	External capacitor connection pin for the RF AGC circuit
40	AGCI	I	Input to the RF AGC circuit The RF amplifier output is input with AC coupling
41	COMPO	O	User comparator output (Not used)
42	COMPP	I	User comparator input (Fixed at “L”)
43	ADDC	I/O	External capacitor pin for cutting the low band of the ADIP amplifier
44	OPO	O	User operation amplifier output (Not used)
45	OPN	I	User operation amplifier inversion input (Fixed at “L”)
46	RFO	O	RF amplifier output
47	MORFI	I	Groove RF signal is input with AC coupling
48	MORFO	O	Groove RF signal output

• Abbreviation

APC: Auto Power Control

AGC: Auto Gain Control

• IC121 Digital Signal Processor, Digital Servo Signal Processor, EFM/ACIRC Encoder/Decoder, Shock-proof Memory Controller, ATRAC Encoder/Decoder, 2M Bit DRAM (CXD2650R)

Pin No.	Pin Name	I/O	Function
1	MNT0 (FOK)	O	FOK signal output to the system control “H” is output when focus is on
2	MNT1 (SHCK)	O	Track jump detection signal output to the system control
3	MNT2 (XBUSY)	O	Monitor 2 output to the system control
4	MNT3 (SLOC)	O	Monitor 3 output to the system control
5	SWDT	I	Writing data signal input from the system control
6	SCLK	I (S)	Serial clock signal input from the system control
7	XLAT	I (S)	Serial latch signal input from the system control
8	SRDT	O (3)	Reading data signal output to the system control
9	SENS	O (3)	Internal status (SENSE) output to the system control
10	XRST	I (S)	Reset signal input from the system control “L”: Reset
11	SQSY	O	Subcode Q sync (SCOR) output to the system control “L” is output every 13.3 msec. Almost all, “H” is output
12	DQSY	O	Digital In U-bit CD format subcode Q sync (SCOR) output to the system control “L” is output every 13.3 msec Almost all, “H” is output
13	RECP	I	Laser power switching input from the system control “H”: Recording, “L”: Playback
14	XINT	O	Interrupt status output to the system control
15	TX	I	Recording data output enable input from the system control
16	OSCI	I	System clock input (512Fs=22.5792 MHz)
17	OSCO	O	System clock output (512Fs=22.5792 MHz) (Not used)
18	XTSL	I	System clock frequency setting “L”: 45.1584 MHz, “H”: 22.5792 MHz (Fixed at “H”)
19	DVDD	—	+3V power supply (Digital)
20	DVSS	—	Ground (Digital)
21	DIN	I	Digital audio input (Optical input)
22	DOUT	O	Digital audio output (Optical output)
23	ADDT	I	Data input from the A/D converter
24	DADT	O	Data output to the D/A converter
25	LRCK	O	LR clock output for the A/D and D/A converter (44.1 kHz)
26	XBCK	O	Bit clock output to the A/D and D/A converter (2.8224 MHz)
27	FS256	O	11.2896 MHz clock output (Not used)
28	DVDD	—	+3V power supply (Digital)
29 to 32	A03 to A00	O	DRAM address output (Not used)
33	A10	O	
34 to 38	A04 to A08	O	
39	A11	O	
40	DVSS	—	Ground (Digital)
41	XOE	O	Output enable output for DRAM (Not used)
42	XCAS	O	$\overline{\text{CAS}}$ signal output for DRAM (Not used)
43	A09	O	Address output for DRAM (Not used)
44	XRAS	O	$\overline{\text{RAS}}$ signal output for DRAM (Not used)
45	XWE	O	Write enable signal output for DRAM (Not used)

* I (S) stands for Schmidt input, I (A) for analog input, O (3) for 3-state output, and O (A) for analog output in the column I/O

Pin No.	Pin Name	I/O	Function
46	D1	I/O	Data input/output for DRAM (Not used)
47	D0	I/O	
48, 49	D2, D3	I/O	
50	MVCI	I (S)	Clock input from an external VCO (Fixed at "L")
51	ASYO	O	Playback EFM duplex signal output
52	ASYI	I (A)	Playback EFM comparator slice level input
53	AVDD	—	+3V power supply (Analog)
54	BIAS	I (A)	Playback EFM comparator bias current input
55	RFI	I (A)	Playback EFM RF signal input
56	AVSS	—	Ground (Analog)
57	PDO	O (3)	Phase comparison output for the clock playback analog PLL of the playback EFM (Not used)
58	PCO	O (3)	Phase comparison output for the recording/playback EFM master PLL
59	FILI	I (A)	Filter input for the recording/playback EFM master PLL
60	FILO	O (A)	Filter output for the recording/playback EFM master PLL
61	CLTV	I (A)	Internal VCO control voltage input for the recording/playback EFM master PLL
62	PEAK	I (A)	Light amount signal peak hold input from the CXA2523R
63	BOTM	I (A)	Light amount signal bottom hold input from the CXA2523R
64	ABCD	I (A)	Light amount signal input from the CXA2523R
65	FE	I (A)	Focus error signal input from the CXA2523R
66	AUX1	I (A)	Auxiliary A/D input
67	VC	I (A)	Middle point voltage (+1.5V) input from the CXA2523R
68	ADIO	O (A)	Monitor output of the A/D converter input signal (Not used)
69	AVDD	—	+3V power supply (Analog)
70	ADRT	I (A)	A/D converter operational range upper limit voltage input (Fixed at "H")
71	ADRB	I (A)	A/D converter operational range lower limit voltage input (Fixed at "L")
72	AVSS	—	Ground (Analog)
73	SE	I (A)	Sled error signal input from the CXA2523R
74	TE	I (A)	Tracking error signal input from the CXA2523R
75	AUX2	I (A)	Auxiliary A/D input (Fixed at "L")
76	DCHG	I (A)	Connected to +3V power supply
77	APC	I (A)	Error signal input for the laser digital APC (Fixed at "L")
78	ADFG	I (S)	ADIP duplex FM signal input from the CXA2523R (22.05 ± 1 kHz)
79	F0CNT	O	Filter f ₀ control output to the CXA2523R
80	XLRF	O	Control latch output to the CXA2523R
81	CKRF	O	Control clock output to the CXA2523R
82	DTRF	O	Control data output to the CXA2523R
83	APCREF	O	Reference PWM output for the laser APC
84	LDDR	O	PWM output for the laser digital APC (Not used)
85	TRDR	O	Tracking servo drive PWM output (–)

- Abbreviation
EFM: Eight to Fourteen Modulation
PLL : Phase Locked Loop
VCO: Voltage Controlled Oscillator

Pin No.	Pin Name	I/O	Function
86	TFDR	O	Tracking servo drive PWM output (+)
87	DVDD	—	+3V power supply (Digital)
88	FFDR	O	Focus servo drive PWM output (+)
89	FRDR	O	Focus servo drive PWM output (-)
90	FS4	O	176.4 kHz clock signal output (X'tal) (Not used)
91	SRDR	O	Sled servo drive PWM output (-)
92	SFDR	O	Sled servo drive PWM output (+)
93	SPRD	O	Spindle servo drive PWM output (-)
94	SPFD	O	Spindle servo drive PWM output (+)
95	TEST0	I (S)	Test input (Fixed at "L")
96 to 98	TEST1 to TEST3	I	
99	DVSS	—	Ground (Digital)
100	EFMO	O	EFM output when recording

- Abbreviation

EFM: Eight to Fourteen Modulation

• IC307 A/D, D/A converter (CXD8607N)

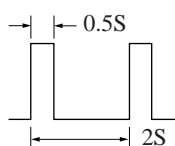
Pin No.	Pin Name	I/O	Function
1	INRP	I	Rch analog (+) input
2	INRM	I	Rch analog (-) input
3	REFI	I	A/D reference voltage input (+3.2V)
4	AVDD	—	+5V power supply (A/D, analog)
5	AVSS	—	Ground (A/D, analog)
6	APD	I	A/D analog block power down “L”: Power down
7	NU	—	Not used
8	NU	—	
9	TEST1	I	Test pin (Fixed at “L”)
10	LRCK1	I	A/D LRCK input
11	BCK1	I	A/D BCK input
12	ADDT	O	A/D data output
13	V35A	—	+3.3V power supply
14	VSS1 (LF)	—	Ground (A/D, digital)
15	MCKI	I	A/D master clock input (256 fs)
16	DPD	I	A/D digital block power down “L”: Power down/reset
17	VSS2 (LF)	—	Ground (D/A, digital)
18	INIT	I	D/A initialize “L”: Initialize
19	MODE	I	Mode flag input
20	SHIFT	I	Shift clock input
21	LATCH	I	Latch clock input
22	256CK	O	256 fs clock output
23	V35D	—	+3.3V power supply
24	VSS2	—	Ground (D/A, digital)
25	512CK	O	512 fs clock output
26	BCK2	I	D/A BCK input
27	DADT	I	D/A data input
28	LRCK2	I	D/A LRCK input
29	VDD2	—	+5V power supply (D/A, digital)
30	R1	O	Rch PLM output 1
31	AVDDR	—	+5V power supply (D/A, Rch, analog)
32	R2	O	Rch PLM output 2
33	AVSSR	—	Ground (D/A, Rch, analog)
34	XVDD	—	+5V power supply (X’tal)
35	XOUT	O	X’tal oscillation output (22 MHz)
36	XIN	I	X’tal oscillation input (512 fs) (22 MHz)
37	XVSS	—	Ground (X’tal)
38	AVSSL	—	Ground (D/A, Lch, analog)
39	L2	O	Lch PLM output 2
40	AVDDL	—	+5V power supply (D/A, Lch, analog)

Pin No.	Pin Name	I/O	Function
41	L1	O	Lch PLM output 1
42	VDD2	—	+5V power supply (D/A, digital)
43	VDD1	—	+5V power supply (A/D, digital)
44	VDD1	—	
45	VSS1	—	Ground (A/D, digital)
46	TEST2	I	Test pin (Fixed at “L”)
47	TEST3	I	
48	VSS1 (LF)	—	Ground (A/D, digital)
49	NU	—	Not used
50	NU	—	
51	AVSS (LF)	—	Ground (A/D, analog)
52	LVDD	—	+5V power supply (A/D, buffer)
53	LVSS	—	Ground (A/D, buffer)
54	REFO	O	A/D reference voltage output (+3.2V)
55	INLM	I	Lch analog (–) input
56	INLP	I	Lch analog (+) input

• IC401 System Control (RU8X11AMF-0113)

Pin No.	Pin Name	I/O	Function
1	DAOUT 0	O	Test pin. C1 is output when test mode (Not used)
2	DAOUT 1	O	Test pin. ADER is output when test mode (Not used)
3 to 5	KEY 0 to KEY 2	I	Key input pin (D/A input)
6	CHUCK IN	I	Detection input from the chucking-in switch "L": Chucking
7	PACK IN	I	Detection input from the disc detection switch
8	PACK OUT	I	Detection input from the loading out switch. Loaded out position: "L", Others: "H"
9	TIMER SW	I	Key input pin (D/A input)
10	SOURCE SW	I	
11	(AVSS)	—	Ground (Analog)
12	XINT	I	Interrupt status input from the CXD2650R
13	POWER DOWN	I	POWER DOWN signal input "L": Down
14	REMOCON	I	Remote control signal interrupt input
15	SQSY	I	ATP address sync or subcode Q sync (SCOR) input from the CXD2650R "L" is input every 13.3 msec Almost all, "H"
16	DQSY	I	Digital-In U-bit CD format subcode Q sync (SCOR) input from the CXD2650R "L" is input every 13.3 msec Almost all, "H"
17	CNTRL A1 IN	I	CONTROL A1 signal input
18	—	O	Not used
19	—	O	
20	SYSTEM-RST	I	System reset signal input For several hundreds msec after the power supply rises, "L" is input, then it changes to "H"
21	(TEST)	I	Test pin (Fixed at "L")
22	3.3V	—	+3.3V power supply
23	VBAT	—	Power supply pin to RTC (clock) and RAM
24	XOUT-T	O	Clock output (32.768 kHz) (For clock)
25	XIN-T	I	Clock input (32.768 kHz) (For clock)
26	GND	—	Ground
27	XOUT	O	Main clock output (12 MHz)
28	XIN	I	Main clock input (12 MHz)
29	GND	—	Ground
30	(S1)	O	Not used
31	—	O	
32	SENS	I	Internal status (SENSE) input from the CXD2650R
33	SHOCK	I	Track jump signal input from the CXD2650R
34	REC/OTHER	I	BEEP sound output switching signal input (Not used)
35	—	I	Not used
36	STB	O	Strobe signal output to the power supply circuit Power supply ON: "H", stand by: "L"
37	REC P	I	Detection signal input from the recording position detection switch
38	PLAY	I	Detection signal input from the playback position detection switch
39	LOAD V	O	Loading motor voltage control output
40	—	O	Not used

Pin No.	Pin Name	I/O	Function
41	MNT2	I	Monitor 2 input from the CXD2650R
42	MNT3	I	Monitor 3 input from the CXD2650R
43	LED0	O	Drive output to the POWER ON/STANDBY display LED
44	—	I	Power supply ON: “H”, stand by: “L”
45	—	I	Not used
46	CNTL A1 OUT	O	CONTROL A1 signal output
47	GND	—	Ground
48	+3.3V	—	+3.3V power supply
49	—	I	Input from the BEEP sound output ON/OFF switch (Not used)
50, 51	JOG 1, JOG 0	I	JOG dial pulse input from the rotary encoder
52	SDA	I/O	Data signal input/output pin with the backup memory
53	SCL	O	Clock signal output to the backup memory
54	FS32	O	Drive output to the DIGITAL INPUT LED “L”: Light
55	FS44	O	
56	FS48	O	
57	—	I	Terminal for switching the used model
58	—	I	
59	—	I	Not used
60	SA/SW	O	Audio bus/remote control switching signal output (Not used)
61	—	I	Not used
62	—	O	
63	CLKSET0	I	Clock destination select pin (Fixed at “L”)
64	CLKSET1	I	
65	GND	—	Ground
66	3.3V	—	+3.3V power supply
67	SCLK	O	Clock signal output to the serial bus
68	SWDT	O	Writing data signal output to the serial bus
69	SRDT	I	Reading data signal input from the serial bus
70	—	I	Not used
71	FLCLK	O	Serial clock signal output to the display driver
72	FLDATA	O	Serial data signal output to the display driver
73	FLCS	O	Chip select signal output to the display driver
74	—	I	Not used
75	LDON	O	Laser ON/OFF control output “H”: Laser ON
76	PIT/GROOVE	I	Pit/groove detection input “H” is input for the playback only disc or TOC area (Not used)
77	FOK	I	FOK signal input from the CXD2650R “H” is input when focus is on
78	—	I	Not used
79	LOCK	O	Not used
80	WRPWR	O	Laser power switching signal output to the optical pick-up and CXD2650R

Pin No.	Pin Name	I/O	Function
81	DIG-RST	O	Reset signal output to the CXD2650R and motor driver Reset: "L"
82	BEEP	O	BEEP PWM output (Not used)
83	DA-RST	O	Reset signal output to the D/A, A/D converter Reset: "L"
84, 85	DSEL A, DSEL B	O	Digital input selection signal output
86	MOD	O	Laser modulation switching signal output Playback power: "L", stop: "H" Recording power: 
87	REC/PB	O	Not used
88	—	O	
89	SCTX	O	Writing data transmission timing output to the CXD2650R Shared with the magnetic head ON/OFF output
90	XLATCH	O	Latch signal output to the serial bus
91	—	O	Not used
92	—	I	Not used
93	AMUTE	O	Line out muting output
94	LOAD OUT	O	Loading motor control output *1
95	LOAD IN	O	
96	LIMITIN	I	Detection input from the limit switch Sled limit-In: "L"
97	PROTECT	I	Recording-protection claw detection input from the protection detection switch Protect: "H"
98	REFLECT	I	Disk reflection rate detection input from the reflect detection switch Disk with low reflection rate: "H"
99	GND	—	Ground
100	+3.3V	—	+3.3V power supply

*1 Loading motor control

Pin \ Operation	IN	OUT	Brake
LOAD IN 95 pin	"H"	"L"	"H"
LOAD OUT 94 pin	"L"	"H"	"H"

SECTION 7 EXPLODED VIEWS

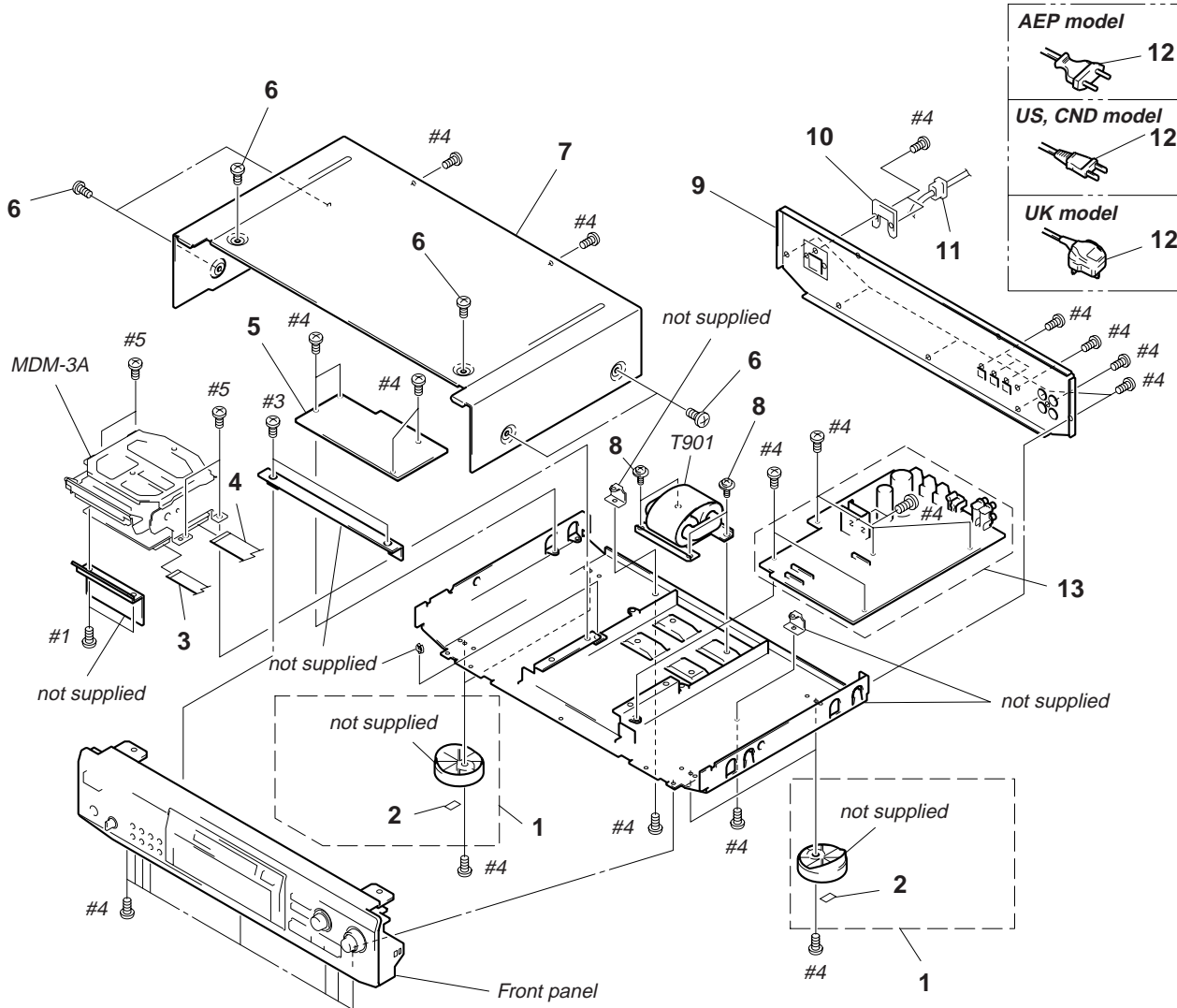
NOTE:

- Items marked “*” are not stocked since they are seldom required for routine service. Some delay should be anticipated when ordering these items.
- The mechanical parts with no reference number in the exploded views are not supplied.
- Hardware (# mark) list and accessories and packing materials are given in the last of this parts list.
- Abbreviation
CND : Canadian model

The components identified by mark \triangle or dotted line with mark \triangle are critical for safety.
Replace only with part number specified.

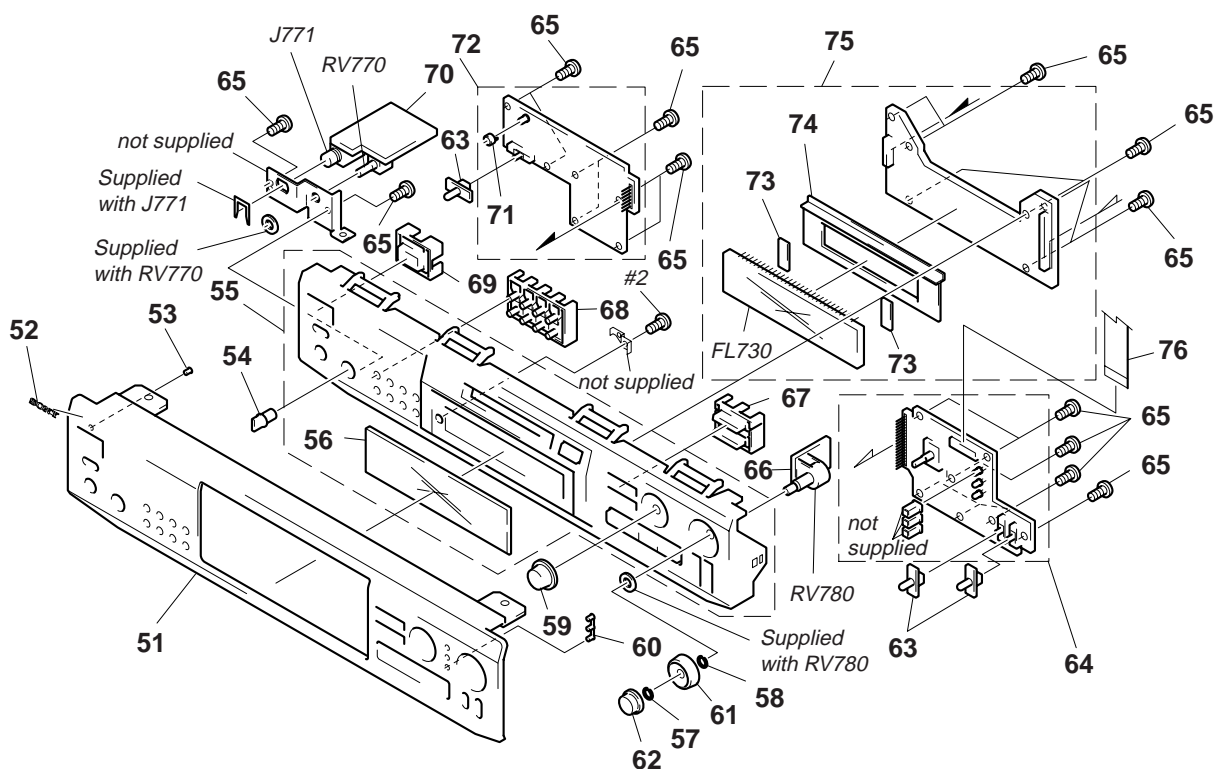
Les composants identifiés par une marque \triangle sont critiques pour la sécurité.
Ne les remplacer que par une pièce portant le numéro spécifié.

7-1. CASE AND MAIN BOARD SECTION



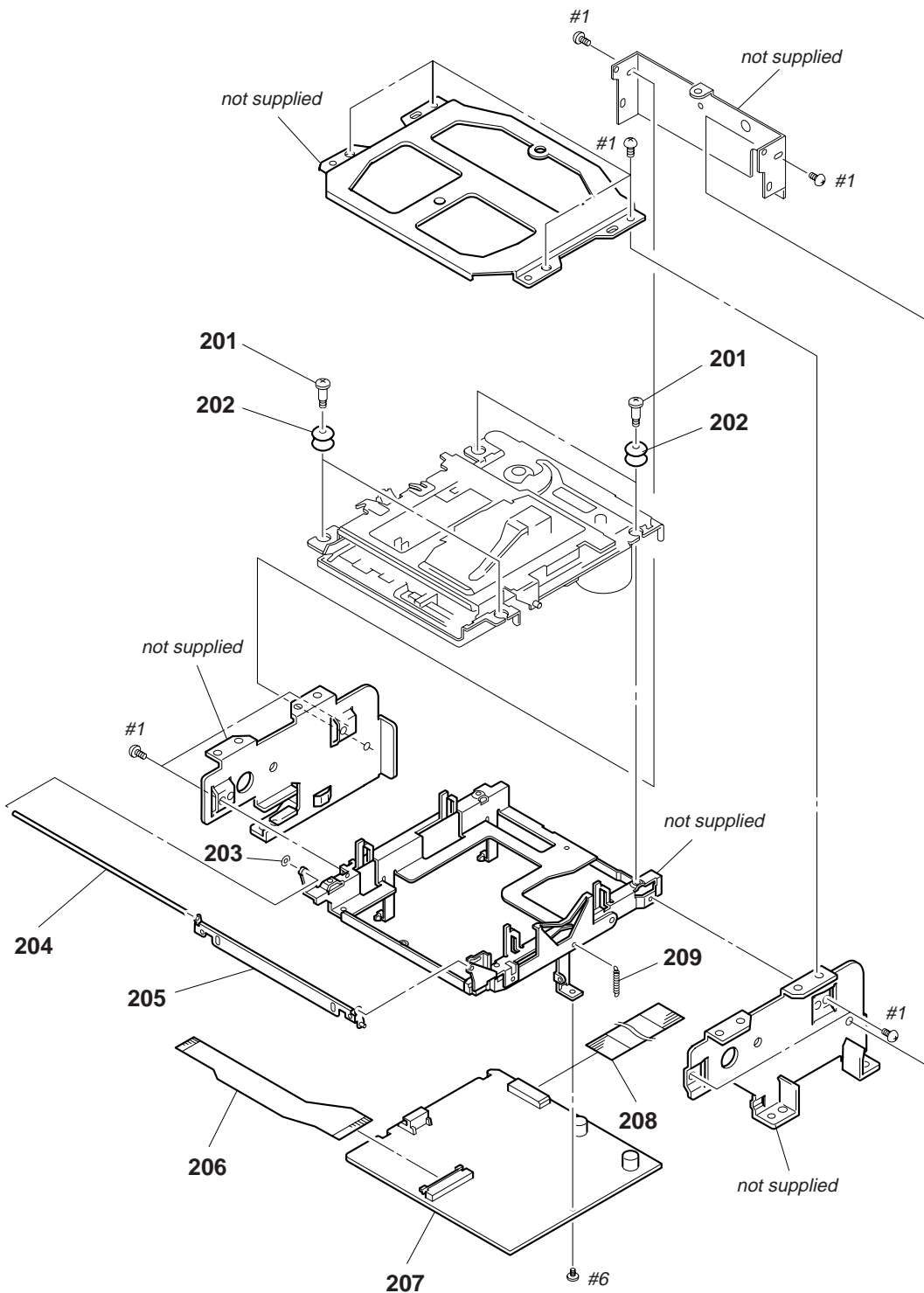
Ref. No.	Part No.	Description	Remark	Ref. No.	Part No.	Description	Remark
1	X-4947-389-1	FOOT ASSY (F50150S)(AEP,UK)		* 9	4-985-444-31	PANEL, BACK (US)	
1	X-4947-390-1	FOOT ASSY (F50150S)(US,CND)		* 9	4-985-444-41	PANEL, BACK (CND)	
2	4-983-762-02	CUSHION		* 10	4-923-873-01	BRACKET, CORD STOPPER	
3	1-777-278-11	WIRE (FLAT TYPE)(19 CORE)		* 11	3-703-244-00	BUSHING (2104), CORD	
4	1-777-275-11	WIRE (FLAT TYPE)(29 CORE)		\triangle 12	1-558-568-21	CORD, POWER (AEP)	
* 5	1-663-118-11	AC BOARD		\triangle 12	1-559-583-21	CORD, POWER (US,CND)	
6	3-363-099-01	SCREW (CASE 3 TP2)		\triangle 12	1-696-586-11	CORD, POWER (UK)	
7	4-980-420-21	CASE (409526)		* 13	A-4699-578-A	MAIN BOARD, COMPLETE (US,CND)	
8	4-886-821-11	SCREW, S TIGHT, +PTTWH 3X6		* 13	A-4699-585-A	MAIN BOARD, COMPLETE (AEP,UK)	
* 9	4-985-444-11	PANEL, BACK (AEP)		\triangle T901	1-431-239-11	TRANSFORMER, POWER (US,CND)	
* 9	4-985-444-21	PANEL, BACK (UK)		\triangle T901	1-431-240-11	TRANSFORMER, POWER (AEP,UK)	

7-2. FRONT PANEL SECTION



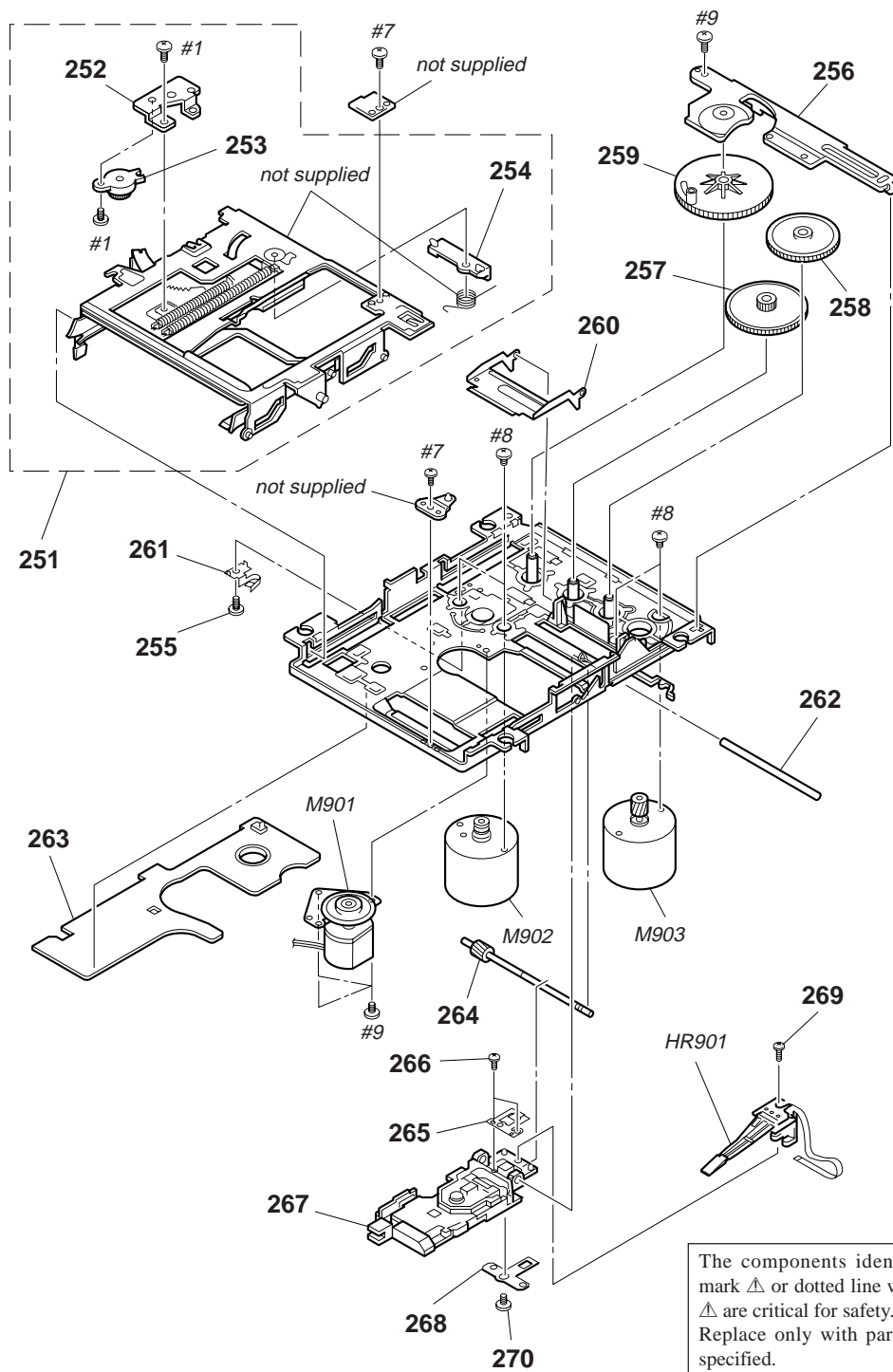
Ref. No.	Part No.	Description	Remark	Ref. No.	Part No.	Description	Remark
51	4-985-442-11	PANEL, FRONT		65	4-951-620-01	SCREW (2.6X8), +BVTP	
52	4-979-587-01	EMBLEM (NO.5), SONY		* 66	1-663-116-11	REC-VOL BOARD	
53	4-985-454-01	INDICATOR (B)		67	4-985-449-11	BUTTON (EDIT)	
54	4-950-189-01	KNOB (A)(VOL)		68	4-985-447-11	BUTTON (MODE)	
55	X-4947-592-1	BASE ASSY, PANEL		69	4-985-446-11	BUTTON (POWER)	
56	4-985-451-01	PLATE, INDICATION		* 70	1-663-115-11	HP BOARD	
57	3-356-957-01	SPRING		* 71	4-972-608-01	HOLDER (DIA. 5), LED	
58	3-382-627-01	SPRING, RING		* 72	A-4699-573-A	PANEL (L) BOARD, COMPLETE (US,CND)	
59	4-983-657-01	KNOB (AMS)		* 72	A-4699-580-A	PANEL (L) BOARD, COMPLETE (AEP,UK)	
60	4-985-453-01	INDICATOR (A)		73	2-389-320-01	CUSHION	
61	3-382-634-01	KNOB (REC-L)		* 74	4-971-854-01	HOLDER (FL)	
62	3-382-635-01	KNOB (REC-R)		* 75	A-4699-574-A	DISPLAY BOARD, COMPLETE (US,CND)	
63	3-917-216-11	KNOB (TIMER)		* 75	A-4699-581-A	DISPLAY BOARD, COMPLETE (AEP,UK)	
* 64	A-4699-575-A	PANEL (R) BOARD, COMPLETE (US,CND)		76	1-777-846-11	WIRE (FLAT TYPE)(23 CORE)	
* 64	A-4699-582-A	PANEL (R) BOARD, COMPLETE (AEP,UK)		FL730	1-517-587-11	INDICATOR TUBE, FLUORESCENT	

7-3. MECHANISM DECK SECTION (1) (MDM-3A)



Ref. No.	Part No.	Description	Remark	Ref. No.	Part No.	Description	Remark
201	4-628-167-01	SCREW, STEP		206	1-660-966-11	OP RELAY FLEXIBLE BOARD	
202	4-987-327-01	INSULATOR		* 207	A-4699-092-A	BD BOARD, COMPLETE	
203	4-986-959-01	WASHER, STOPPER		208	1-777-517-11	WIRE (FLAT TYPE)(15 CORE)	
204	4-987-736-01	SHAFT (SHUTTER)		209	4-987-910-01	SPRING, TORSION (O/C)	
205	X-4947-825-1	SHUTTER ASSY					

7-4. MECHANISM DECK SECTION (2) (MDM-3A)



The components identified by mark Δ or dotted line with mark Δ are critical for safety. Replace only with part number specified.

Les composants identifiés par une marque Δ sont critiques pour la sécurité. Ne les remplacer que par une pièce portant le numéro spécifié.

Ref. No.	Part No.	Description	Remark	Ref. No.	Part No.	Description	Remark
251	A-4672-138-A	SLIDER ASSY, COMPLETE		* 263	1-661-774-11	SW BOARD	
* 252	4-983-439-01	BRACKET (DAMPER)		264	A-3304-200-A	SCREW ASSY, LEAD	
253	3-953-235-01	DAMPER, OIL		265	4-963-914-02	RACK (INSERTER)	
* 254	4-983-437-01	SLIDER (CAM)		266	3-366-890-11	SCREW (M1.4)	
255	3-342-375-11	SCREW (M1.7X1.4), SPECIAL		Δ 267	8-583-028-01	OPTICAL PICK-UP KMS-260A/J1N	
256	4-979-890-11	RETAINER (GEAR)		268	4-987-061-01	SPACER (RACK)	
257	4-979-898-01	GEAR (LB)		269	4-988-560-01	SCREW (P1.7X6)	
258	4-979-899-01	GEAR (LC)		270	4-955-841-21	SCREW	
259	4-979-897-01	GEAR (LA)		HR901	1-500-396-11	HEAD, OVER WRITE	
260	4-979-885-01	LEVER (HEAD UP)		M901	A-4672-135-A	MOTOR ASSY, SPINDLE	
261	4-979-906-11	SPRING (LEAD SCREW)		M902	A-4672-133-A	MOTOR ASSY, SLED	
262	4-984-556-01	SHAFT (MAIN SHAFT)		M903	A-4672-134-A	MOTOR ASSY, LOADING	

SECTION 8 ELECTRICAL PARTS LIST

Note:

The components identified by mark \triangle or dotted line with mark \triangle are critical for safety. Replace only with part number specified.

Les composants identifiés par une marque \triangle sont critiques pour la sécurité. Ne les remplacer que par une pièce portant le numéro spécifié.

When indicating parts by reference number, please include the board name.

- Due to standardization, replacements in the parts list may be different from the parts specified in the diagrams or the components used on the set.
- Items marked “*” are not stocked since they are seldom required for routine service. Some delay should be anticipated when ordering these items.
- RESISTORS
All resistors are in ohms
METAL: Metal-film resistor
METAL OXIDE: Metal Oxide-film resistor
F : nonflammable
- SEMICONDUCTORS
In each case, u: μ , for example:
uA...: μ A..., uPA...: μ PA..., uPB...: μ PB...,
uPC...: μ PC..., uPD...: μ PD...
- CAPACITORS
uF : μ F
- COILS
uH : μ H
- Abbreviation
CND : Canadian model

Ref. No.	Part No.	Description	Remark	Ref. No.	Part No.	Description	Remark
*	1-663-118-11	AC BOARD *****		C111	1-164-344-11	CERAMIC CHIP	0.068uF 10% 25V
		< CAPACITOR >		C112	1-163-017-00	CERAMIC CHIP	0.0047uF 5% 50V
\triangle C951	1-113-920-11	CERAMIC	0.0022uF 20% 250V	C113	1-107-682-11	CERAMIC CHIP	1uF 10% 16V
\triangle C952	1-113-925-11	CERAMIC	0.01uF 20% 250V (AEP,UK)	C115	1-164-489-11	CERAMIC CHIP	0.22uF 10% 16V
\triangle C953	1-113-920-11	CERAMIC	0.0022uF 20% 250V	C116	1-163-037-11	CERAMIC CHIP	0.022uF 10% 25V
\triangle C954	1-113-920-11	CERAMIC	0.0022uF 20% 250V (AEP,UK)	C117	1-164-004-11	CERAMIC CHIP	0.1uF 10% 25V
\triangle C955	1-113-920-11	CERAMIC	0.0022uF 20% 250V (AEP,UK)	C119	1-104-851-11	TANTAL. CHIP	10uF 20% 10V
\triangle C956	1-113-920-11	CERAMIC	0.0022uF 20% 250V (AEP,UK)	C121	1-126-206-11	ELECT CHIP	100uF 20% 6.3V
\triangle C957	1-113-920-11	CERAMIC	0.0022uF 20% 250V (AEP,UK)	C122	1-164-232-11	CERAMIC CHIP	0.01uF 50V
		< CONNECTOR >		C123	1-163-038-91	CERAMIC CHIP	0.1uF 25V
* CN951	1-580-230-21	PIN, CONNECTOR (PC BOARD) 2P		C124	1-163-038-91	CERAMIC CHIP	0.1uF 25V
CN952	1-564-321-00	PIN, CONNECTOR 2P		C127	1-163-038-91	CERAMIC CHIP	0.1uF 25V
		< GROUND PLATE >		C128	1-164-232-11	CERAMIC CHIP	0.01uF 50V
* EP951	4-942-204-01	PLATE, GROUND (AEP,UK)		C129	1-107-823-11	CERAMIC CHIP	0.47uF 10% 16V
		< LINE FILTER >		C130	1-163-251-11	CERAMIC CHIP	100PF 5% 50V
\triangle LF951	1-424-485-11	FILTER, LINE		C131	1-163-023-00	CERAMIC CHIP	0.015uF 5% 50V
		< SWITCH >		C132	1-107-823-11	CERAMIC CHIP	0.47uF 10% 16V
\triangle S951	1-762-764-11	SWITCH, POWER (MAIN POWER)(AEP,UK)		C133	1-163-017-00	CERAMIC CHIP	0.0047uF 5% 50V
*****				C134	1-163-038-91	CERAMIC CHIP	0.1uF 25V
* A-4699-092-A	BD BOARD, COMPLETE	*****		C135	1-163-038-91	CERAMIC CHIP	0.1uF 25V
		< CAPACITOR >		C136	1-126-206-11	ELECT CHIP	100uF 20% 6.3V
C101	1-104-851-11	TANTAL. CHIP	10uF 20% 10V	C141	1-163-038-91	CERAMIC CHIP	0.1uF 25V
C102	1-163-038-91	CERAMIC CHIP	0.1uF 25V	C142	1-163-251-11	CERAMIC CHIP	100PF 5% 50V
C103	1-104-851-11	TANTAL. CHIP	10uF 20% 10V	C143	1-163-251-11	CERAMIC CHIP	100PF 5% 50V
C104	1-104-851-11	TANTAL. CHIP	10uF 20% 10V	C144	1-163-251-11	CERAMIC CHIP	100PF 5% 50V
C105	1-164-232-11	CERAMIC CHIP	0.01uF 50V	C146	1-163-038-91	CERAMIC CHIP	0.1uF 25V
C106	1-163-275-11	CERAMIC CHIP	0.001uF 5% 50V	C151	1-126-206-11	ELECT CHIP	100uF 20% 6.3V
C107	1-163-038-91	CERAMIC CHIP	0.1uF 25V	C152	1-163-038-91	CERAMIC CHIP	0.1uF 25V
C108	1-163-038-91	CERAMIC CHIP	0.1uF 25V	C153	1-164-232-11	CERAMIC CHIP	0.01uF 50V
C109	1-163-037-11	CERAMIC CHIP	0.022uF 10% 25V	C156	1-163-038-91	CERAMIC CHIP	0.1uF 25V
C110	1-163-038-91	CERAMIC CHIP	0.1uF 25V	C158	1-163-019-00	CERAMIC CHIP	0.0068uF 10% 50V
				C160	1-104-601-11	ELECT CHIP	10uF 20% 10V
				C161	1-104-601-11	ELECT CHIP	10uF 20% 10V
				C163	1-164-232-11	CERAMIC CHIP	0.01uF 50V
				C164	1-164-232-11	CERAMIC CHIP	0.01uF 50V
				C167	1-163-038-91	CERAMIC CHIP	0.1uF 25V
				C168	1-163-038-91	CERAMIC CHIP	0.1uF 25V
				C169	1-104-851-11	TANTAL. CHIP	10uF 20% 10V
				C171	1-163-038-91	CERAMIC CHIP	0.1uF 25V
				C181	1-126-206-11	ELECT CHIP	100uF 20% 6.3V
				C182	1-163-038-91	CERAMIC CHIP	0.1uF 25V
				C183	1-163-038-91	CERAMIC CHIP	0.1uF 25V
				C184	1-107-836-11	ELECT CHIP	22uF 20% 8V
				C185	1-164-611-11	CERAMIC CHIP	0.001uF 10% 500V
				C187	1-126-206-11	ELECT CHIP	100uF 20% 6.3V

Ref. No.	Part No.	Description	Remark	Ref. No.	Part No.	Description	Remark
C188	1-164-232-11	CERAMIC CHIP 0.01uF	50V	Q182	8-729-017-65	TRANSISTOR 2SK1764KY	
C189	1-163-989-11	CERAMIC CHIP 0.033uF	10% 25V			< RESISTOR >	
C190	1-126-206-11	ELECT CHIP 100uF	20% 6.3V				
C191	1-163-038-91	CERAMIC CHIP 0.1uF	25V				
C195	1-164-346-11	CERAMIC CHIP 1uF	16V	R101	1-216-295-91	CONDUCTOR, CHIP (2012)	
				R103	1-216-049-91	METAL GLAZE 1K	5% 1/10W
C196	1-163-038-91	CERAMIC CHIP 0.1uF	25V	R104	1-216-073-00	METAL CHIP 10K	5% 1/10W
C197	1-163-038-91	CERAMIC CHIP 0.1uF	25V	R105	1-216-065-00	METAL CHIP 4.7K	5% 1/10W
		< CONNECTOR >		R106	1-216-133-00	METAL CHIP 3.3M	5% 1/10W
CN101	1-766-508-11	CONNECTOR, FFC/FPC (ZIF) 22P		R107	1-216-113-00	METAL CHIP 470K	5% 1/10W
CN102	1-778-461-11	CONNECTOR, FFC/FPC 29P		R109	1-216-295-91	CONDUCTOR, CHIP (2012)	
CN103	1-778-460-11	CONNECTOR, FFC/FPC 19P		R110	1-216-073-00	METAL CHIP 10K	5% 1/10W
CN104	1-766-898-21	HOUSING, CONNECTOR (PC BOARD) 4P		R111	1-216-295-91	CONDUCTOR, CHIP (2012)	
CN106	1-770-698-11	CONNECTOR, FFC/FPC 15P		R112	1-216-089-91	METAL GLAZE 47K	5% 1/10W
CN110	1-774-731-21	PIN, CONNECTOR (PC BOARD) 5P					
		< DIODE >		R113	1-216-049-91	METAL GLAZE 1K	5% 1/10W
D101	8-719-988-62	DIODE 1SS355		R115	1-216-049-91	METAL GLAZE 1K	5% 1/10W
D181	8-719-046-86	DIODE F1J6TP		R117	1-216-113-00	METAL CHIP 470K	5% 1/10W
D183	8-719-046-86	DIODE F1J6TP		R120	1-216-025-91	METAL GLAZE 100	5% 1/10W
		< IC >		R121	1-216-097-91	METAL GLAZE 100K	5% 1/10W
IC101	8-752-074-77	IC CXA2523R					
IC103	8-729-903-10	IC TRANSISTOR FMW1		R123	1-216-033-00	METAL CHIP 220	5% 1/10W
IC121	8-752-378-54	IC CXD2650R		R124	1-216-025-91	METAL GLAZE 100	5% 1/10W
IC122	8-759-234-20	IC TC7S08F		R125	1-216-025-91	METAL GLAZE 100	5% 1/10W
IC123	8-759-242-70	IC TC7WU04F		R127	1-216-025-91	METAL GLAZE 100	5% 1/10W
				R131	1-216-073-00	METAL CHIP 10K	5% 1/10W
IC152	8-759-430-25	IC BH6511FS-E2					
IC171	8-759-428-58	IC XL24C01AF-E2		R132	1-216-097-91	METAL GLAZE 100K	5% 1/10W
IC181	8-759-095-65	IC TC74ACT540FS		R133	1-216-117-00	METAL CHIP 680K	5% 1/10W
IC192	8-759-426-95	IC L88MS33T-TL		R134	1-216-049-91	METAL GLAZE 1K	5% 1/10W
		< COIL >		R135	1-216-061-00	METAL CHIP 3.3K	5% 1/10W
L101	1-414-235-11	INDUCTOR, FERRITE BEAD		R136	1-216-049-91	METAL GLAZE 1K	5% 1/10W
L102	1-414-235-11	INDUCTOR, FERRITE BEAD					
L103	1-414-235-11	INDUCTOR, FERRITE BEAD		R137	1-216-025-91	METAL GLAZE 100	5% 1/10W
L105	1-414-235-11	INDUCTOR, FERRITE BEAD		R140	1-216-029-00	METAL CHIP 150	5% 1/10W
L106	1-414-235-11	INDUCTOR, FERRITE BEAD		R141	1-216-295-91	CONDUCTOR, CHIP (2012)	
				R142	1-216-073-00	METAL CHIP 10K	5% 1/10W
L121	1-414-235-11	INDUCTOR, FERRITE BEAD		R143	1-216-073-00	METAL CHIP 10K	5% 1/10W
L122	1-414-235-11	INDUCTOR, FERRITE BEAD					
L151	1-412-622-51	INDUCTOR 10uH		R144	1-216-025-91	METAL GLAZE 100	5% 1/10W
L152	1-412-622-51	INDUCTOR 10uH		R146	1-216-037-00	METAL CHIP 330	5% 1/10W
L153	1-412-039-51	INDUCTOR CHIP 100uH		R147	1-216-025-91	METAL GLAZE 100	5% 1/10W
				R148	1-216-045-00	METAL CHIP 680	5% 1/10W
L154	1-412-039-51	INDUCTOR CHIP 100uH		R150	1-216-295-91	CONDUCTOR, CHIP (2012)	
L161	1-414-235-11	INDUCTOR, FERRITE BEAD					
L162	1-414-235-11	INDUCTOR, FERRITE BEAD		R158	1-216-097-91	METAL GLAZE 100K	5% 1/10W
		< TRANSISTOR >		R159	1-216-097-91	METAL GLAZE 100K	5% 1/10W
Q101	8-729-403-35	TRANSISTOR UN5113		R161	1-216-057-00	METAL CHIP 2.2K	5% 1/10W
Q102	8-729-026-53	TRANSISTOR 2SA1576A-T106-QR		R162	1-216-057-00	METAL CHIP 2.2K	5% 1/10W
Q103	8-729-014-04	TRANSISTOR RN1307-TE85L		R163	1-216-057-00	METAL CHIP 2.2K	5% 1/10W
Q104	8-729-014-04	TRANSISTOR RN1307-TE85L					
Q162	8-729-101-07	TRANSISTOR 2SB798-DL		R164	1-216-045-00	METAL CHIP 680	5% 1/10W
				R165	1-216-097-91	METAL GLAZE 100K	5% 1/10W
Q163	8-729-403-35	TRANSISTOR UN5113		R166	1-220-149-11	METAL GLAZE 2.2	10% 1/2W
Q180	8-729-907-00	TRANSISTOR DTC114EU		R167	1-216-065-00	METAL CHIP 4.7K	5% 1/10W
Q181	8-729-018-75	TRANSISTOR 2SJ278MY		R169	1-219-724-11	METAL CHIP 1	1% 1/4W
				R170	1-216-073-00	METAL CHIP 10K	5% 1/10W
				R171	1-216-073-00	METAL CHIP 10K	5% 1/10W
				R172	1-216-295-91	CONDUCTOR, CHIP (2012)	
				R173	1-216-121-91	METAL GLAZE 1M	5% 1/10W
				R175	1-216-061-00	METAL CHIP 3.3K	5% 1/10W
				R176	1-216-295-91	CONDUCTOR, CHIP (2012)	
				R177	1-216-061-00	METAL CHIP 3.3K	5% 1/10W
				R178	1-216-295-91	CONDUCTOR, CHIP (2012)	

BD	DISPLAY	HP	MAIN
-----------	----------------	-----------	-------------

Ref. No.	Part No.	Description			Remark
R179	1-216-089-91	METAL GLAZE	47K	5%	1/10W
R180	1-216-073-00	METAL CHIP	10K	5%	1/10W
R181	1-216-073-00	METAL CHIP	10K	5%	1/10W
R182	1-216-089-91	METAL GLAZE	47K	5%	1/10W
R183	1-216-089-91	METAL GLAZE	47K	5%	1/10W
R184	1-216-073-00	METAL CHIP	10K	5%	1/10W
R185	1-216-073-00	METAL CHIP	10K	5%	1/10W
R186	1-216-296-91	CONDUCTOR, CHIP (3216)			
R187	1-216-296-91	CONDUCTOR, CHIP (3216)			
R188	1-216-073-00	METAL CHIP	10K	5%	1/10W
R189	1-216-073-00	METAL CHIP	10K	5%	1/10W
R190	1-216-073-00	METAL CHIP	10K	5%	1/10W
R195	1-216-295-91	CONDUCTOR, CHIP (2012)			
R196	1-216-295-91	CONDUCTOR, CHIP (2012)			
R198	1-216-295-91	CONDUCTOR, CHIP (2012)			
R199	1-216-295-91	CONDUCTOR, CHIP (2012)			
R200	1-216-295-91	CONDUCTOR, CHIP (2012)			
R201	1-216-295-91	CONDUCTOR, CHIP (2012)			
R202	1-216-295-91	CONDUCTOR, CHIP (2012)			
R502	1-216-295-91	CONDUCTOR, CHIP (2012)			
R504	1-216-295-91	CONDUCTOR, CHIP (2012)			

*	A-4699-574-A	DISPLAY BOARD, COMPLETE (US,CND)	*****		
*	A-4699-581-A	DISPLAY BOARD, COMPLETE (AEP,UK)	*****		
	2-389-320-01	CUSHION			
*	4-971-854-01	HOLDER (FL)			
		< CAPACITOR >			
C732	1-162-306-11	CERAMIC	0.01uF	20%	16V
C738	1-162-215-31	CERAMIC	47PF	5%	50V
C739	1-162-306-11	CERAMIC	0.01uF	20%	16V
C740	1-162-294-31	CERAMIC	0.001uF	10%	50V
C741	1-162-294-31	CERAMIC	0.001uF	10%	50V
C742	1-162-294-31	CERAMIC	0.001uF	10%	50V
C743	1-128-057-11	ELECT	330uF	20%	6.3V
C744	1-162-306-11	CERAMIC	0.01uF	20%	16V
		< CONNECTOR >			
CN730	1-778-714-11	HOUSING, CONNECTOR 18P			
CN731	1-778-716-11	HOUSING, CONNECTOR 9P			
		< FLUORESCENT INDICATOR >			
FL730	1-517-587-11	INDICATOR TUBE, FLUORESCENT			
		< IC >			
IC730	8-759-426-98	IC MSM9202-02GS-K			
IC731	8-749-013-22	IC GP1UC8XB			
		< RESISTOR >			
R730	1-247-842-11	CARBON	3K	5%	1/4W
R731	1-247-807-31	CARBON	100	5%	1/4W
R732	1-247-807-31	CARBON	100	5%	1/4W
R733	1-247-807-31	CARBON	100	5%	1/4W

Ref. No.	Part No.	Description			Remark
R734	1-247-807-31	CARBON	100	5%	1/4W
R741	1-249-401-11	CARBON	47	5%	1/4W F
R742	1-247-807-31	CARBON	100	5%	1/4W
		< SWITCH >			
S730	1-554-303-21	SWITCH, TACTILE (≡ EJECT)			

*	1-663-115-11	HP BOARD	*****		
		< CAPACITOR >			
C770	1-162-290-31	CERAMIC	470PF	10%	50V
C771	1-162-290-31	CERAMIC	470PF	10%	50V
C772	1-126-933-11	ELECT	100uF	20%	16V
C773	1-126-933-11	ELECT	100uF	20%	16V
		< CONNECTOR >			
* CN770	1-564-708-11	PIN, CONNECTOR (SMALL TYPE) 6P			
		< IC >			
IC770	8-759-634-50	IC M5218AL			
		< JACK >			
J771	1-770-307-11	JACK (LARGE TYPE)(PHONES)			
		< RESISTOR >			
R770	1-247-807-31	CARBON	100	5%	1/4W
R771	1-247-807-31	CARBON	100	5%	1/4W
R772	1-249-433-11	CARBON	22K	5%	1/4W
R773	1-249-433-11	CARBON	22K	5%	1/4W
R774	1-249-441-11	CARBON	100K	5%	1/4W
R775	1-249-441-11	CARBON	100K	5%	1/4W
R776	1-249-433-11	CARBON	22K	5%	1/4W
R777	1-249-433-11	CARBON	22K	5%	1/4W
△R778	1-212-857-00	FUSIBLE	10	5%	1/4W F
△R779	1-212-857-00	FUSIBLE	10	5%	1/4W F
R790	1-249-429-11	CARBON	10K	5%	1/4W
R791	1-249-429-11	CARBON	10K	5%	1/4W
		< VARIABLE RESISTOR >			
RV770	1-225-405-11	RES, VAR 20K/20K (PHONES LEVEL)			

*	A-4699-578-A	MAIN BOARD, COMPLETE (US,CND)	*****		
*	A-4699-585-A	MAIN BOARD, COMPLETE (AEP,UK)	*****		
	7-685-646-79	SCREW +BVTP 3X8 TYPE2 N-S			
		< BATTERY >			
BT901	1-528-739-11	BATTERY, LITHIUM (VL2020 3V)			

The components identified by mark △ or dotted line with mark △ are critical for safety. Replace only with part number specified.	Les composants identifiés par une marque △ sont critiques pour la sécurité. Ne les remplacer que par une pièce portant le numéro spécifié.
--	--

Ref. No.	Part No.	Description	Remark	Ref. No.	Part No.	Description	Remark
		< CAPACITOR >		C322	1-126-335-11	ELECT	220uF 20% 10V
C101	1-130-467-00	MYLAR	470PF 5% 50V	C323	1-162-205-31	CERAMIC	18PF 5% 50V
C102	1-124-673-11	ELECT	100uF 20% 10V	C324	1-162-205-31	CERAMIC	18PF 5% 50V
C103	1-124-721-11	ELECT	10uF 20% 50V	C325	1-126-335-11	ELECT	220uF 20% 10V
C104	1-137-368-11	FILM	0.0047uF 5% 50V	C326	1-164-159-11	CERAMIC	0.1uF 50V
C105	1-137-368-11	FILM	0.0047uF 5% 50V	C327	1-126-947-11	ELECT	47uF 20% 10V
C106	1-136-157-00	FILM	0.022uF 5% 50V	C329	1-126-947-11	ELECT	47uF 20% 10V
C107	1-130-481-00	MYLAR	0.0068uF 5% 50V	C330	1-126-947-11	ELECT	47uF 20% 10V
C108	1-130-481-00	MYLAR	0.0068uF 5% 50V	C332	1-124-910-11	ELECT	47uF 20% 50V
C109	1-137-363-91	FILM	680PF 5% 50V	C333	1-136-165-00	FILM	0.1uF 5% 50V
C110	1-137-363-91	FILM	680PF 5% 50V	C334	1-136-165-00	FILM	0.1uF 5% 50V
C111	1-124-673-11	ELECT	100uF 20% 10V	C335	1-124-910-11	ELECT	47uF 20% 50V
C112	1-137-368-11	FILM	0.0047uF 5% 50V	C336	1-124-910-11	ELECT	47uF 20% 50V
C113	1-137-364-11	FILM	0.001uF 5% 50V	C340	1-164-159-11	CERAMIC	0.1uF 50V
C114	1-126-233-11	ELECT	22uF 20% 50V	C350	1-164-159-11	CERAMIC	0.1uF 50V
C115	1-130-467-00	MYLAR	470PF 5% 50V	C351	1-162-306-11	CERAMIC	0.01uF 20% 16V
C121	1-136-165-00	FILM	0.1uF 5% 50V	C352	1-162-306-11	CERAMIC	0.01uF 20% 16V
C122	1-136-165-00	FILM	0.1uF 5% 50V	C354	1-164-159-11	CERAMIC	0.1uF 50V
C201	1-130-467-00	MYLAR	470PF 5% 50V	C355	1-164-159-11	CERAMIC	0.1uF 50V
C202	1-124-673-11	ELECT	100uF 20% 10V	C356	1-164-159-11	CERAMIC	0.1uF 50V
C203	1-124-721-11	ELECT	10uF 20% 50V	C357	1-162-306-11	CERAMIC	0.01uF 20% 16V
C204	1-137-368-11	FILM	0.0047uF 5% 50V	C358	1-162-306-11	CERAMIC	0.01uF 20% 16V
C205	1-137-368-11	FILM	0.0047uF 5% 50V	C359	1-164-159-11	CERAMIC	0.1uF 20% 50V
C206	1-136-157-00	FILM	0.022uF 5% 50V	C360	1-162-306-11	CERAMIC	0.01uF 20% 16V
C207	1-130-481-00	MYLAR	0.0068uF 5% 50V	C361	1-162-306-11	CERAMIC	0.01uF 20% 16V
C208	1-130-481-00	MYLAR	0.0068uF 5% 50V	C373	1-162-306-11	CERAMIC	0.01uF 20% 16V
C209	1-137-363-91	FILM	680PF 5% 50V	C380	1-162-306-11	CERAMIC	0.01uF 20% 16V
C210	1-137-363-91	FILM	680PF 5% 50V	C401	1-164-159-11	CERAMIC	0.1uF 50V
C211	1-124-673-11	ELECT	100uF 20% 10V	C402	1-162-294-31	CERAMIC	0.001uF 10% 50V
C212	1-137-368-11	FILM	0.0047uF 5% 50V	C403	1-164-159-11	CERAMIC	0.1uF 50V
C213	1-137-364-11	FILM	0.001uF 5% 50V	C404	1-164-159-11	CERAMIC	0.1uF 50V
C214	1-126-233-11	ELECT	22uF 20% 50V	C405	1-162-203-31	CERAMIC	15PF 5% 50V
C215	1-130-467-00	MYLAR	470PF 5% 50V	C406	1-162-203-31	CERAMIC	15PF 5% 50V
C221	1-136-165-00	FILM	0.1uF 5% 50V	C407	1-162-282-31	CERAMIC	100PF 10% 50V
C222	1-136-165-00	FILM	0.1uF 5% 50V	C408	1-162-282-31	CERAMIC	100PF 10% 50V
C300	1-124-721-11	ELECT	10uF 20% 50V	C409	1-164-159-11	CERAMIC	0.1uF 50V
C301	1-124-910-11	ELECT	47uF 20% 50V	C410	1-164-159-11	CERAMIC	0.1uF 50V
C302	1-124-673-11	ELECT	100uF 20% 10V	C411	1-162-282-31	CERAMIC	100PF 10% 50V
C303	1-162-306-11	CERAMIC	0.01uF 20% 16V	C412	1-162-282-31	CERAMIC	100PF 10% 50V
C304	1-136-165-00	FILM	0.1uF 5% 50V	C414	1-164-159-11	CERAMIC	0.1uF 50V
C305	1-124-721-11	ELECT	10uF 20% 50V	C415	1-164-159-11	CERAMIC	0.1uF 50V
C306	1-136-153-00	FILM	0.01uF 5% 50V	C901	1-117-150-21	ELECT	5600uF 20% 25V
C307	1-136-153-00	FILM	0.01uF 5% 50V	C902	1-117-150-21	ELECT	5600uF 20% 25V
C308	1-124-721-11	ELECT	10uF 20% 50V	C903	1-117-401-11	ELECT	22000uF 20% 16V
C309	1-126-233-11	ELECT	22uF 20% 50V	C906	1-128-576-11	ELECT	100uF 20% 63V
C310	1-136-153-00	FILM	0.01uF 5% 50V	C907	1-126-950-11	ELECT	330uF 20% 35V
C311	1-164-159-11	CERAMIC	0.1uF 50V	C908	1-164-159-11	CERAMIC	0.1uF 50V
C312	1-164-159-11	CERAMIC	0.1uF 50V	C910	1-126-964-11	ELECT	10uF 20% 50V
C313	1-164-159-11	CERAMIC	0.1uF 50V	C911	1-126-962-11	ELECT	3.3uF 20% 50V
C314	1-124-673-11	ELECT	100uF 20% 10V	C912	1-126-963-11	ELECT	4.7uF 20% 50V
C315	1-126-335-11	ELECT	220uF 20% 10V	C914	1-126-916-11	ELECT	1000uF 20% 6.3V
C316	1-164-159-11	CERAMIC	0.1uF 50V	C915	1-126-767-11	ELECT	1000uF 20% 16V
C317	1-164-159-11	CERAMIC	0.1uF 50V	C917	1-126-103-11	ELECT	470uF 20% 16V
C318	1-126-335-11	ELECT	220uF 20% 10V	C918	1-126-103-11	ELECT	470uF 20% 16V
C319	1-164-159-11	CERAMIC	0.1uF 50V	C919	1-126-797-11	ELECT	1000uF 20% 10V
C320	1-126-335-11	ELECT	220uF 20% 10V				
C321	1-164-159-11	CERAMIC	0.1uF 50V				

MAIN

Ref. No.	Part No.	Description	Remark
< CONNECTOR >			
* CN301	1-564-708-11	PIN, CONNECTOR (SMALL TYPE) 6P	
* CN302	1-564-708-11	PIN, CONNECTOR (SMALL TYPE) 6P	
CN303	1-770-651-11	CONNECTOR, FFC/FPC 23P	
CN304	1-770-657-11	CONNECTOR, FFC/FPC 29P	
CN305	1-770-167-11	CONNECTOR, FFC/FPC 19P	
CN903	1-691-770-11	PLUG (MICRO CONNECTOR) 8P	
< DIODE >			
D308	8-719-109-98	DIODE RD6.8ES-B3	
D350	8-719-987-63	DIODE 1N4148M	
D351	8-719-987-63	DIODE 1N4148M	
D901	8-719-987-63	DIODE 1N4148M	
D902	8-719-987-63	DIODE 1N4148M	
D903	8-719-200-82	DIODE 11ES2	
D904	8-719-200-82	DIODE 11ES2	
D905	8-719-200-82	DIODE 11ES2	
D906	8-719-200-82	DIODE 11ES2	
D907	8-719-200-82	DIODE 11ES2	
D908	8-719-200-82	DIODE 11ES2	
D909	8-719-200-82	DIODE 11ES2	
< GROUND PLATE >			
* EP901	4-942-204-01	PLATE, GROUND	
< IC >			
IC101	8-759-916-14	IC SN74HC04AN	
IC102	8-759-602-83	IC M5238P	
IC201	8-759-916-14	IC SN74HC04AN	
IC202	8-759-602-83	IC M5238P	
IC301	8-759-602-83	IC M5238P	
IC302	8-759-434-43	IC CXA8065S	
IC303	8-759-361-58	IC CXA8055M	
IC304	8-759-426-99	IC CXD8607N	
IC351	8-759-822-09	IC LB1641	
IC352	8-749-012-69	IC GP1F38T (DIGITAL OPTICAL OUT)	
IC353	8-749-012-70	IC GP1F38R (DIGITAL OPTICAL IN1)	
IC354	8-749-012-70	IC GP1F38R	
IC355	8-759-917-18	IC SN74HCU04AN	
IC356	8-759-921-17	IC SN74HC153AN	
IC401	8-759-462-16	IC RU8X11AMF-0113	
IC901	8-759-426-96	IC LA5620	
IC902	8-759-633-42	IC M5293L	
IC903	8-759-604-99	IC M5F78M06L	
IC904	8-759-604-94	IC M5F79M06	
< JACK >			
J301	1-778-064-11	JACK, PIN 4P (LINE (ANALOG))	
J350	1-779-655-21	JACK, SMALL TYPE (2 GANG)(CONTROL A1)	
J352	1-770-905-21	JACK, PIN 1P (DIGITAL COAXIAL IN)	
< COIL >			
L351	1-410-509-11	INDUCTOR 10uH	
L352	1-410-509-11	INDUCTOR 10uH	

Ref. No.	Part No.	Description	Remark
< TRANSISTOR >			
Q101	8-729-141-30	TRANSISTOR 2SC3623A-LK	
Q201	8-729-141-30	TRANSISTOR 2SC3623A-LK	
Q301	8-729-422-61	TRANSISTOR UN4115	
Q350	8-729-422-61	TRANSISTOR UN4115	
Q351	8-729-119-76	TRANSISTOR 2SA1175-HFE	
Q352	8-729-900-80	TRANSISTOR DTC114ES	
Q353	8-729-620-05	TRANSISTOR 2SC2603-EF	
Q402	8-729-900-80	TRANSISTOR DTC114ES	
< RESISTOR >			
R101	1-249-421-11	CARBON 2.2K 5%	1/4W F
R102	1-249-441-11	CARBON 100K 5%	1/4W
R103	1-249-425-11	CARBON 4.7K 5%	1/4W F
R104	1-249-429-11	CARBON 10K 5%	1/4W
R105	1-249-433-11	CARBON 22K 5%	1/4W
R106	1-247-868-11	CARBON 36K 5%	1/4W
R107	1-249-425-11	CARBON 4.7K 5%	1/4W F
R108	1-249-425-11	CARBON 4.7K 5%	1/4W F
R109	1-249-401-11	CARBON 47 5%	1/4W F
R110	1-249-401-11	CARBON 47 5%	1/4W F
R111	1-249-407-11	CARBON 150 5%	1/4W F
R112	1-249-407-11	CARBON 150 5%	1/4W F
R113	1-249-408-11	CARBON 180 5%	1/4W F
R114	1-249-408-11	CARBON 180 5%	1/4W F
R115	1-249-411-11	CARBON 330 5%	1/4W
R116	1-249-411-11	CARBON 330 5%	1/4W
R117	1-249-411-11	CARBON 330 5%	1/4W
R118	1-249-411-11	CARBON 330 5%	1/4W
R119	1-249-393-11	CARBON 10 5%	1/4W F
R120	1-249-393-11	CARBON 10 5%	1/4W F
R121	1-249-393-11	CARBON 10 5%	1/4W F
R122	1-249-393-11	CARBON 10 5%	1/4W F
R123	1-249-411-11	CARBON 330 5%	1/4W
R124	1-249-411-11	CARBON 330 5%	1/4W
R125	1-249-421-11	CARBON 2.2K 5%	1/4W F
R126	1-249-421-11	CARBON 2.2K 5%	1/4W F
R127	1-247-843-11	CARBON 3.3K 5%	1/4W
R128	1-247-843-11	CARBON 3.3K 5%	1/4W
R129	1-249-429-11	CARBON 10K 5%	1/4W
R130	1-249-421-11	CARBON 2.2K 5%	1/4W F
R131	1-249-417-11	CARBON 1K 5%	1/4W F
R132	1-249-441-11	CARBON 100K 5%	1/4W
R133	1-247-807-31	CARBON 100 5%	1/4W
R134	1-247-807-31	CARBON 100 5%	1/4W
R201	1-249-421-11	CARBON 2.2K 5%	1/4W F
R202	1-249-441-11	CARBON 100K 5%	1/4W
R203	1-249-425-11	CARBON 4.7K 5%	1/4W F
R204	1-249-429-11	CARBON 10K 5%	1/4W
R205	1-249-433-11	CARBON 22K 5%	1/4W
R206	1-247-868-11	CARBON 36K 5%	1/4W
R207	1-249-425-11	CARBON 4.7K 5%	1/4W F
R208	1-249-425-11	CARBON 4.7K 5%	1/4W F
R209	1-249-401-11	CARBON 47 5%	1/4W F
R210	1-249-401-11	CARBON 47 5%	1/4W F
R211	1-249-407-11	CARBON 150 5%	1/4W F
R212	1-249-407-11	CARBON 150 5%	1/4W F

Ref. No.	Part No.	Description	Remark	Ref. No.	Part No.	Description	Remark
R213	1-249-408-11	CARBON	180 5% 1/4W F	R412	1-249-441-11	CARBON	100K 5% 1/4W
R214	1-249-408-11	CARBON	180 5% 1/4W F	R413	1-249-441-11	CARBON	100K 5% 1/4W
R215	1-249-411-11	CARBON	330 5% 1/4W	R414	1-249-441-11	CARBON	100K 5% 1/4W (AEP,UK)
R216	1-249-411-11	CARBON	330 5% 1/4W	R415	1-249-441-11	CARBON	100K 5% 1/4W (US,CND)
R217	1-249-411-11	CARBON	330 5% 1/4W	R416	1-249-441-11	CARBON	100K 5% 1/4W (US,CND)
R218	1-249-411-11	CARBON	330 5% 1/4W	R417	1-249-441-11	CARBON	100K 5% 1/4W (AEP,UK)
R219	1-249-393-11	CARBON	10 5% 1/4W F	R418	1-249-429-11	CARBON	10K 5% 1/4W
R220	1-249-393-11	CARBON	10 5% 1/4W F	R419	1-249-429-11	CARBON	10K 5% 1/4W
R221	1-249-393-11	CARBON	10 5% 1/4W F	R420	1-249-429-11	CARBON	10K 5% 1/4W
R222	1-249-393-11	CARBON	10 5% 1/4W F	R422	1-249-429-11	CARBON	10K 5% 1/4W
R223	1-249-411-11	CARBON	330 5% 1/4W	R424	1-249-429-11	CARBON	10K 5% 1/4W
R224	1-249-411-11	CARBON	330 5% 1/4W	R425	1-249-429-11	CARBON	10K 5% 1/4W
R225	1-249-421-11	CARBON	2.2K 5% 1/4W F	R426	1-249-429-11	CARBON	10K 5% 1/4W
R226	1-249-421-11	CARBON	2.2K 5% 1/4W F	R427	1-249-429-11	CARBON	10K 5% 1/4W
R227	1-247-843-11	CARBON	3.3K 5% 1/4W	R428	1-249-429-11	CARBON	10K 5% 1/4W
R228	1-247-843-11	CARBON	3.3K 5% 1/4W	R430	1-249-429-11	CARBON	10K 5% 1/4W
R229	1-249-429-11	CARBON	10K 5% 1/4W	R431	1-249-429-11	CARBON	10K 5% 1/4W
R230	1-249-421-11	CARBON	2.2K 5% 1/4W F	R442	1-249-429-11	CARBON	10K 5% 1/4W
R231	1-249-417-11	CARBON	1K 5% 1/4W F	R901	1-247-807-31	CARBON	100 5% 1/4W
R232	1-249-441-11	CARBON	100K 5% 1/4W	R902	1-249-417-11	CARBON	1K 5% 1/4W F
R233	1-247-807-31	CARBON	100 5% 1/4W	R903	1-249-429-11	CARBON	10K 5% 1/4W
R234	1-247-807-31	CARBON	100 5% 1/4W	R904	1-249-429-11	CARBON	10K 5% 1/4W
R301	1-249-401-11	CARBON	47 5% 1/4W F	R905	1-249-409-11	CARBON	220 5% 1/4W F
R302	1-249-401-11	CARBON	47 5% 1/4W F	R906	1-249-437-11	CARBON	47K 5% 1/4W
R303	1-249-411-11	CARBON	330 5% 1/4W	< VIBRATOR >			
R304	1-247-903-00	CARBON	1M 5% 1/4W	X301	1-579-314-11	VIBRATOR, CRYSTAL (22MHz)	
R305	1-249-411-11	CARBON	330 5% 1/4W	X401	1-567-098-61	VIBRATOR, CRYSTAL (32.768kHz)	
R306	1-249-401-11	CARBON	47 5% 1/4W F	X402	1-767-157-21	VIBRATOR, CERAMIC (12MHz)	
R307	1-249-401-11	CARBON	47 5% 1/4W F	*****			
R308	1-249-429-11	CARBON	10K 5% 1/4W	* A-4699-573-A	PANEL (L) BOARD, COMPLETE (US,CND)		
R309	1-249-429-11	CARBON	10K 5% 1/4W	*****			
R311	1-249-413-11	CARBON	470 5% 1/4W F	* A-4699-580-A	PANEL (L) BOARD, COMPLETE (AEP,UK)		
R314	1-249-441-11	CARBON	100K 5% 1/4W	*****			
R350	1-249-441-11	CARBON	100K 5% 1/4W	* 4-972-608-01	HOLDER (DIA. 5), LED		
R351	1-249-429-11	CARBON	10K 5% 1/4W	< CONNECTOR >			
R352	1-249-429-11	CARBON	10K 5% 1/4W	CN750	1-778-715-11	CONNECTOR, BOARD TO BOARD 9P	
R353	1-249-429-11	CARBON	10K 5% 1/4W	< DIODE >			
R354	1-249-426-11	CARBON	5.6K 5% 1/4W	D750	8-719-313-40	DIODE SEL1516W (POWER)	
R355	1-249-425-11	CARBON	4.7K 5% 1/4W F	< TRANSISTOR >			
R357	1-249-429-11	CARBON	10K 5% 1/4W	Q750	8-729-422-57	TRANSISTOR UN4111	
R358	1-249-393-11	CARBON	10 5% 1/4W F	Q751	8-729-900-74	TRANSISTOR DTC143TS	
R359	1-247-895-00	CARBON	470K 5% 1/4W	< RESISTOR >			
R360	1-249-437-11	CARBON	47K 5% 1/4W	R752	1-249-399-11	CARBON	33 5% 1/4W F
R361	1-247-804-11	CARBON	75 5% 1/4W	R753	1-249-409-11	CARBON	220 5% 1/4W F
R363	1-247-895-00	CARBON	470K 5% 1/4W	R754	1-247-843-11	CARBON	3.3K 5% 1/4W
R364	1-247-895-00	CARBON	470K 5% 1/4W	R755	1-249-425-11	CARBON	4.7K 5% 1/4W F
R365	1-249-437-11	CARBON	47K 5% 1/4W				
R381	1-249-417-11	CARBON	1K 5% 1/4W F				
R401	1-249-429-11	CARBON	10K 5% 1/4W				
R402	1-249-429-11	CARBON	10K 5% 1/4W				
R403	1-249-429-11	CARBON	10K 5% 1/4W				
R404	1-249-429-11	CARBON	10K 5% 1/4W				
R405	1-249-429-11	CARBON	10K 5% 1/4W				
R406	1-249-429-11	CARBON	10K 5% 1/4W				
R408	1-247-903-00	CARBON	1M 5% 1/4W				
R409	1-249-429-11	CARBON	10K 5% 1/4W				
R410	1-249-441-11	CARBON	100K 5% 1/4W				
R411	1-249-441-11	CARBON	100K 5% 1/4W				

PANEL (L)	PANEL (R)	REC-VOL	SW
------------------	------------------	----------------	-----------

Ref. No.	Part No.	Description	Remark
R756	1-249-421-11	CARBON 2.2K 5%	1/4W F
R757	1-249-429-11	CARBON 10K 5%	1/4W
R758	1-249-421-11	CARBON 2.2K 5%	1/4W F
R759	1-247-843-11	CARBON 3.3K 5%	1/4W
R760	1-249-425-11	CARBON 4.7K 5%	1/4W F
R761	1-249-429-11	CARBON 10K 5%	1/4W
< SWITCH >			
S750	1-554-303-21	SWITCH, TACTILE (REPEAT)	
S751	1-554-303-21	SWITCH, TACTILE (SCROLL/CLOCK SET)	
S752	1-554-303-21	SWITCH, TACTILE (POWER)	
S753	1-554-303-21	SWITCH, TACTILE (DISPLAY)	
S754	1-554-303-21	SWITCH, TACTILE (CHAR)	
S755	1-554-303-21	SWITCH, TACTILE (CLEAR)	
S756	1-554-303-21	SWITCH, TACTILE (CONTINUE)	
S757	1-554-303-21	SWITCH, TACTILE (SHUFFLE)	
S758	1-554-303-21	SWITCH, TACTILE (PROGRAM)	
S759	1-572-625-11	SWITCH, SLIDE (TIMER)	

*	A-4699-575-A	PANEL (R) BOARD, COMPLETE (US,CND)	*****
*	A-4699-582-A	PANEL (R) BOARD, COMPLETE (AEP,UK)	*****
< CAPACITOR >			
C701	1-126-153-11	ELECT 22uF 20%	6.3V
C702	1-164-159-11	CERAMIC 0.1uF	50V
< CONNECTOR >			
CN701	1-778-688-11	CONNECTOR, FFC/FPC 23P	
CN702	1-778-713-11	CONNECTOR, BOARD TO BOARD 18P	
< DIODE >			
D701	8-719-313-50	DIODE SEL6810A-TH12 (DIGITAL INPUT 32kHz)	
D702	8-719-313-50	DIODE SEL6810A-TH12 (DIGITAL INPUT 44.1kHz)	
D703	8-719-313-50	DIODE SEL6810A-TH12 (DIGITAL INPUT 48kHz)	
< TRANSISTOR >			
Q701	8-729-422-57	TRANSISTOR UN4111	
Q702	8-729-422-57	TRANSISTOR UN4111	
Q703	8-729-422-57	TRANSISTOR UN4111	
< RESISTOR >			
R701	1-249-409-11	CARBON 220 5%	1/4W F
R702	1-249-409-11	CARBON 220 5%	1/4W F
R703	1-249-409-11	CARBON 220 5%	1/4W F
R704	1-249-429-11	CARBON 10K 5%	1/4W
R705	1-247-843-11	CARBON 3.3K 5%	1/4W
R706	1-249-425-11	CARBON 4.7K 5%	1/4W F
R707	1-249-429-11	CARBON 10K 5%	1/4W
R708	1-249-435-11	CARBON 33K 5%	1/4W
R709	1-249-421-11	CARBON 2.2K 5%	1/4W F
R710	1-247-843-11	CARBON 3.3K 5%	1/4W
R711	1-249-425-11	CARBON 4.7K 5%	1/4W F
R712	1-249-429-11	CARBON 10K 5%	1/4W

Ref. No.	Part No.	Description	Remark
R713	1-249-435-11	CARBON 33K 5%	1/4W
R714	1-249-421-11	CARBON 2.2K 5%	1/4W F
R715	1-249-429-11	CARBON 10K 5%	1/4W
R716	1-249-421-11	CARBON 2.2K 5%	1/4W F
R717	1-247-843-11	CARBON 3.3K 5%	1/4W
R718	1-249-425-11	CARBON 4.7K 5%	1/4W F
R719	1-249-429-11	CARBON 10K 5%	1/4W
R720	1-249-435-11	CARBON 33K 5%	1/4W
R721	1-249-429-11	CARBON 10K 5%	1/4W
R722	1-249-429-11	CARBON 10K 5%	1/4W
< SWITCH >			
S701	1-571-429-11	SWITCH, SLIDE (INPUT)	
S702	1-473-779-11	ENCODER, ROTARY (I<<< AMS >>>I, PUSH ENTER)	
S703	1-554-303-21	SWITCH, TACTILE (EDIT/NO)	
S704	1-554-303-21	SWITCH, TACTILE (YES)	
S705	1-554-303-21	SWITCH, TACTILE (II)	
S706	1-554-303-21	SWITCH, TACTILE (I>)	
S707	1-572-624-11	SWITCH, SLIDE (REC MODE)	
S708	1-554-303-21	SWITCH, TACTILE (● REC)	
S709	1-554-303-21	SWITCH, TACTILE (■)	
S710	1-554-303-21	SWITCH, TACTILE (▶▶)	
S711	1-554-303-21	SWITCH, TACTILE (◀◀)	

*	1-663-116-11	REC-VOL BOARD	*****
< CONNECTOR >			
* CN780	1-564-708-11	PIN, CONNECTOR (SMALL TYPE) 6P	
< RESISTOR >			
R780	1-249-433-11	CARBON 22K 5%	1/4W
R781	1-249-433-11	CARBON 22K 5%	1/4W
< VARIABLE RESISTOR >			
RV780	1-241-937-11	RES, VAR, CARBON 20K/20K (REC LEVEL)	

*	1-661-774-11	SW BOARD	*****
< CONNECTOR >			
CN601	1-770-698-11	CONNECTOR, FFC/FPC 15P	
CN602	1-778-638-21	PIN, CONNECTOR (PC BOARD) 2P	
CN603	1-778-638-21	PIN, CONNECTOR (PC BOARD) 2P	
< SWITCH >			
S681	1-572-467-61	SWITCH, PUSH (1 KEY)(LIMIT)	
S682	1-692-377-31	SWITCH, PUSH (1 KEY)(REFLECT)	
S683	1-692-847-21	SWITCH, PUSH (1 KEY)(PROTECT)	
S685	1-572-467-61	SWITCH, PUSH (1 KEY)(CHUCKING IN)	
S686	1-762-621-21	SWITCH, PUSH (1 KEY)(PACK OUT)	
S687	1-572-688-11	SWITCH, PUSH (1 KEY)(PB POSITION)	
S688	1-762-621-21	SWITCH, PUSH (1 KEY)(REC POSITION)	

Ref. No.	Part No.	Description	Remark
		MISCELLANEOUS *****	
3	1-777-278-11	WIRE (FLAT TYPE)(19 CORE)	
4	1-777-275-11	WIRE (FLAT TYPE)(29 CORE)	
△ 12	1-558-568-21	CORD, POWER (AEP)	
△ 12	1-559-583-21	CORD, POWER (US,CND)	
△ 12	1-696-586-11	CORD, POWER (UK)	
76	1-777-846-11	WIRE (FLAT TYPE)(23 CORE)	
206	1-660-966-11	OP RELAY FLEXIBLE BOARD	
208	1-777-517-11	WIRE (FLAT TYPE)(15 CORE)	
△ 267	8-583-028-01	OPTICAL PICK-UP KMS-260A/J1N	
FL730	1-517-587-11	INDICATOR TUBE, FLUORESCENT	
HR901	1-500-396-11	HEAD, OVER WRITE	
M901	A-4672-135-A	MOTOR ASSY, SPINDLE	
M902	A-4672-133-A	MOTOR ASSY, SLED	
M903	A-4672-134-A	MOTOR ASSY, LOADING	
△ T901	1-431-239-11	TRANSFORMER, POWER (US,CND)	
△ T901	1-431-240-11	TRANSFORMER, POWER (AEP,UK)	

ACCESSORIES & PACKING MATERIALS

1-473-886-11	REMOTE COMMANDER (RM-D9M)
1-574-264-11	CORD, OPTICAL PLUG (CND,AEP,UK)
1-590-925-31	CORD, CONNECTION (AUDIO, 100cm)
3-858-098-11	MANUAL, INSTRUCTION (ENGLISH,FRENCH,SPANISH,PORTUGUESE) (CND,AEP,UK)
3-858-098-21	MANUAL, INSTRUCTION (GERMAN,DUTCH,SWEDISH,ITALIAN)(AEP)
3-858-098-31	MANUAL, INSTRUCTION (ENGLISH)(US)
4-983-537-01	COVER, BATTERY (for RM-D9M)

HARDWARE LIST

#1	7-685-850-04	SCREW +BVTT 2X3 (S)
#2	7-685-102-19	SCREW (+BTP)(2X4)
#3	7-685-133-19	SCREW +BTP 2.6X6 TYPE2 N-S
#4	7-685-646-79	SCREW +BVTP 3X8 TYPE2 IT-3
#5	7-685-871-01	SCREW +BVTT 3X6 (S)
#6	7-685-851-04	SCREW +BVTT 2X4 (S)
#7	7-627-852-28	+P 1.7X3
#8	7-627-553-17	PRECISION SCREW +P 2X2 TYPE 3
#9	7-627-552-27	SCREW,PRECISION +P 1.7X2

The components identified by mark △ or dotted line with mark △ are critical for safety. Replace only with part number specified.

Les composants identifiés par une marque △ sont critiques pour la sécurité. Ne les remplacer que par une pièce portant le numéro spécifié.

