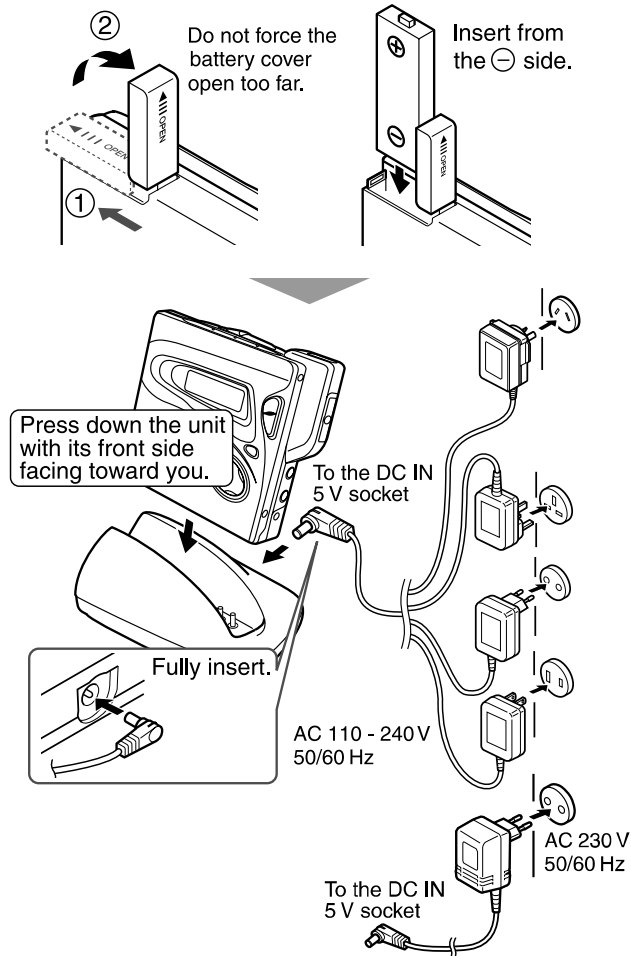


Using with the Rechargeable Battery



■ Charging

When the rechargeable battery is used for the first time or when you want to use it after a long period of disuse, be sure to charge it fully.

- 1 Insert the rechargeable battery.
- 2 Connect the AC adaptor.
- 3 Place the unit on the battery charger.

- When the portable MD is turned on or operating, the battery will not be charged.
- No operation can be performed whilst charging. If you try to operate, "CH" will appear.
- After the rechargeable battery is charged or used, it will get slightly warm. This is normal.

Caution:




- Use the specified battery AD-N55BT only. Do not charge a battery (nickel-cadmium, alkaline, etc.) other than that specified.
- Do not remove the outer cover of the rechargeable battery. It may cause heat generation, fire, or explosion.
- Do not dip the battery in water, do not dispose of it in a fire, and do not take it apart.
- If the rechargeable battery terminal is dirty, charging may not start. In such a case, wipe off the dirt with a dry cloth.
- Do not disassemble the battery.



Using with the Rechargeable Battery

■ Display of remaining amount of battery

When the unit is set on the charger, the remaining amount of battery is displayed.

Display	Conditions
 Scroll	Charging.
 Turned off	Charging completed. When the unit is not set correctly on the charger, the rechargeable terminal is dirty, or foreign material adheres to it, charging may not be possible. (Wipe the terminal with dry cotton swab.)
 Flashing	Refreshing. The unit automatically discharges the battery that has been charged repeatedly. After refreshing, it starts charging automatically.

■ Charging time

Charging is completed in about 3 hours, and the display of remaining amount of battery will go out.

90 % of charging is completed. If you leave it for another 2 hours, the battery will be fully charged.

- Charge the battery within the range of 5°C - 35°C (41°F - 95°F).
- The unit can be left in the charging state after it is completed.

Refresh

If you charge the battery before it runs out completely, the operating time may be shortened. To avoid this, the battery is discharged automatically and refreshed.

MiniDisc System Limitations

The unit may have the following symptoms whilst recording or editing. The unit is not out of order.

SYMPTOM	LIMITATIONS
"D-FULL" or "T-FULL" appears even though the MiniDisc still has recording time left.	More than the limited number of tracks (255) cannot be recorded regardless of the recording time. If the MiniDisc is recorded or edited repeatedly or it has scratches (recording skips scratched parts), you may not be able to record the maximum number of tracks described above. If the total number of character information (disc, group, and track names) exceeds 1,700, the MD cannot be edited.
The remaining recording time does not increase even though you erased tracks.	The unit does not count non-recorded portions that last 12 or fewer seconds to display the remaining recording time. The time may not increase even if you erase short tracks.
The total of the recorded time and the remaining time does not match the maximum recordable time.	One cluster (approximately 2 seconds) is the minimum unit for recording. For example, a 3-second track uses 2 clusters (approximately 4 seconds). Therefore, the actual recordable time may be shorter than the displayed time. (The number of seconds indicates that in the stereo recording mode (SP). It varies depending on the recording mode.)
Combine function does not work.	A MiniDisc on which recording and editing are repeated may not allow the combine function.
Sound skips in fast reverse/forward.	If one track is divided and recorded in separate places on a repeatedly recorded or edited MiniDisc, sound may skip.
A track number is created in the middle of a track.	A track number may be created if there are scratches or dust on the MiniDisc.
Even if "LP:" is entered at the top of the name, "LP:" is not displayed.	If "LP:" is entered at the top of the 2 times/4 times long recorded track (LP2/LP4), "LP:" will not be displayed. Enter other symbols than ":" after "LP".

Troubleshooting

Many potential "problems" can be resolved by the owner without calling a service technician. If something seems to be wrong with this product, check the following before calling your authorised SHARP dealer or service centre.

The unit does not turn on.

- Is the AC adaptor disconnected?
- Is the battery exhausted?
- Is the unit in the hold mode?
- Has condensation formed inside the unit?
- Is the unit being influenced by mechanical shock or by static electricity?

No sound is heard from the earphones.

- Is the volume set too low?
- Is the remote control unit or the earphones plugged in?
- Are you trying to play a MiniDisc with data on it instead of a MiniDisc containing music?

When the operation buttons are pressed, the unit does not respond.

- Is the unit in the hold mode?
- Is the battery being charged?
- Is the battery exhausted?
- Is the remote control unit plug or the earphones plug inserted firmly?

Some sounds are skipped.

- Is the battery exhausted?
- Is the unit being subjected to excessive vibration?

The MiniDisc cannot be ejected.

- Has the track number or character information been written on the disc yet?
- Is the unit in the recording or editing mode?

Recording and editing are impossible.

- Is the MiniDisc protected against accidental erasure?
- Has the recording level been properly adjusted?
- Is the unit connected properly to the other equipment?
- Is the AC adaptor unplugged or did a power failure occur whilst recording or editing?
- Is the unit in the hold mode?
- Is an optical signal being output from the stereo system? Read the operation manual for the stereo system.

The battery cannot be charged.

- Is the rechargeable battery in the unit?
- Is the terminal dirty?

Group functions cannot be used with the group-recorded MD.

- TOC information may have been changed with other equipment.

Troubleshooting (continued)

■ If trouble occurs

When this product is subjected to strong external interference (mechanical shock, excessive static electricity, abnormal supply voltage due to lightning, etc.) or if it is operated incorrectly, it may malfunction.

If such a problem occurs, do the following:

1. Unplug the AC adaptor from the wall socket.
2. Remove the battery.
3. Leave the unit completely unpowered for approximately 30 seconds.
4. Plug the AC adaptor back into the wall socket and re-operate the unit.

■ Moisture condensation

When the unit has condensation inside, the disc signals cannot be read, and the unit may not function properly.

In the following cases, condensation may form inside the unit.

- Shortly after turning on a heater.
- When the unit is placed in a room where there is excessive steam or moisture.
- When the unit is moved from a cool place to a warm place.

To remove condensation:

Remove the MiniDisc and leave the unit for approximately 1 hour. The condensation should evaporate and the unit will work properly.

Error Messages

ERROR MES-SAGES	MEANING
BLANK	● Nothing is recorded. (Replace the disc with a recorded disc.)
busy	● A track is being moved.
Can'tC	● You tried to record from a copy prohibited MiniDisc. ● You tried to record signals other than music (such as data). (Record using the analogue cable.)
Can'tE	● A track cannot be edited. (Change the stop position of the track and then edit it.)
Can'tL	● You tried to record or edit the MD whilst operating the OPEN lever.
Can'tP	● Cannot play the MD.
Can'tR	Recording cannot be performed correctly due to vibration or shock.
Can'tS Can'tT(*) Can'tU	● The disc data cannot be read because the disc is damaged. (Reload the Minidisc or replace it with another one.)
Can'tSTAMP	● Stamp function does not work. (Check the number of tracks.)

Number or symbol appears in (*) position.

ERROR MES-SAGES	MEANING
Can'tW	● Cannot save the TOC information correctly to a MiniDisc.
CH (displayed on the main unit)	● You tried to operate whilst charging.
D-FULL	● The disc is out of recording space.
DEFECT	● The disc is scratched. (If the recorded sound is not right, retry recording or replace the disc with a recordable one.)
Er-MD (**)	● The microprocessor has reported a system fault and the unit is out of order. (To have it repaired, go to the distributor where you purchased the unit.)
G-FULL	● The total number of groups exceeds 99. (Erase unnecessary groups.)
HOLD	● The unit is in the hold mode.
LoBATT	● The rechargeable or alkaline battery has run down.
LOCKED	● You removed a MiniDisc whilst recording or editing. (Turn off the power before removing the MiniDisc.)

Error Messages

ERROR MES-SAGES	MEANING
N-FULL	● The number of a disc, group, or track name exceeds 40. (Shorten the name.)
NoDISC	● A disc has not been loaded.
noSIG	● Poor connection of the digital cable. ● No output signal comes out from the connected unit to playback. (Use the AC power for the connected unit.) ● The input signal has improper sampling frequency.
NoTRACK	● There is no track to be played.
PLAYmd	● You tried to record on a playback-only disc.
POWER ?	● The battery charger is defective.
PROTECTED	● The write protection tab of a MiniDisc is set to the protected position.
Sorry	● Since a track number is currently being located or updated, the unit cannot accept your command. (Wait for a while and try the operation again.)
T Form (*)	● There is an error in the recording signal. (Erase all of the tracks, and then record again.)

Number or symbol appears in (*) position.

ERROR MES-SAGES	MEANING
T-FULL	● There is no space left for recording character information (track names, disc names, etc.).
TEMP!	● The temperature is too high. (Turn off the power, and wait for a while.)
Tr. Protect	● The track has been protected from being erased. (Edit the track with the device on which it was recorded.)
?DISC	● A disc which contains data other than music was played. (A disc which contains nonmusic data cannot be played.)
?GrForm	● The group recording or the GROUP RESERVE function cannot be performed. (Erase the disc name and retry the same operation.)

If the operation is not accepted, "--" may be displayed on the main unit. For details, refer to the display on the remote control.