

# MDS-JE530

## SERVICE MANUAL

**Self Diagnosis**  
Supported model

US Model  
Canadian Model  
AEP Model  
UK Model  
E Model



Photo: Black model

U.S. and foreign patents licensed from Dolby Laboratories Licensing Corporation.

Model Name Using Similar Mechanism	MDS-JE520
MD Mechanism Type	MDM-5D
Optical Pick-up Type	KMS-260B/J1N

### SPECIFICATIONS

System	MiniDisc digital audio system
Disc	MiniDisc
Laser	Semiconductor laser ( $\lambda = 780 \text{ nm}$ ) Emission duration: continuous
Laser output	Less than $44.6 \mu\text{W}^*$ * This output is the value measured at a distance of 200 mm from the objective lens surface on the Optical Pick-up Block with 7 mm aperture.
Laser diode	Material: GaAlAs
Revolutions (CLV)	400 rpm to 900 rpm
Error correction	Advanced Cross Interleave Reed Solomon Code (ACIRC)
Sampling frequency	44.1 kHz
Coding	Adaptive Transform Acoustic Coding (ATRAC)
Modulation system	EFM (Eight-to-Fourteen Modulation)
Number of channels	2 stereo channels
Frequency response	5 to 20,000 Hz $\pm 0.3 \text{ dB}$
Signal-to-noise ratio	Over 98 dB during playback
Wow and flutter	Below measurable limit
<b>Input</b>	
LINE (ANALOG) IN	Jack type: phono Impedance: 47 kilohms Rated input: 500 mVrms Minimum input: 125 mVrms
DIGITAL OPTICAL IN	Connector type: square optical Impedance: 600 nm (optical wave length)
DIGITAL COAXIAL IN	Jack type: phono Impedance: 75 ohms Rated input: 0.5 Vp-p, $\pm 20\%$

<b>Outputs</b>	
PHONES	Jack type: stereo phone Rated output: 28 mW Load impedance: 32 ohms
LINE (ANALOG) OUT	Jack type: phono Rated output: 2 Vrms (at 50 kilohms) Load impedance: Over 10 kilohms
DIGITAL OPTICAL OUT	Connector type: square optical Rated output: $-18 \text{ dBm}$ Load impedance: 660 nm (optical wave length)
<b>General</b>	
Power requirements	
North American model:	120 V AC, 60 Hz
European model:	230 V AC, 50/60 Hz
Other models:	110 – 120 V or 220 – 240 V AC, 50/60 Hz Adjustable with voltage selector
Power consumption	16 W
Dimension (approx.)	430 × 95 × 280 mm (w/h/d) incl. projecting parts and controls
Mass (approx.)	3.4 kg

#### Supplied accessories

- Audio connecting cords (2)
- Optical cable (1)
- Remote commander (remote) RM-D29M (1)
- R6 (size-AA) batteries (2)

MINI DISC DECK



**SONY**®

## SELF-DIAGNOSIS FUNCTION

The self-diagnosis function consists of error codes for customers which are displayed automatically when errors occur, and error codes which show the error history in the test mode during servicing. For details on how to view error codes for the customer, refer to the following box in the instruction manual. For details on how to check error codes during servicing, refer to the following “Procedure for using the Self-Diagnosis Function (Error History Display Mode)”.

### Self-Diagnosis Function

The deck’s self-diagnosis function automatically checks the condition of the MD deck when an error occurs, then issues a three-digit code and an error message on the display. If the code and message alternate, find them in the following table and perform the indicated countermeasure. Should the problem persist, consult your nearest Sony dealer.


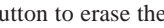
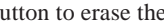
Three-digit code/Message	Cause/Remedy
C11/Protected	The inserted MD is record-protected. → Take out the MD and close the record-protect slot (page 16).
C13/REC Error	The recording was not made properly. → Set the deck in a stable surface, and repeat the recording procedure.  The inserted MD is dirty (with smudges, fingerprints, etc.), scratched, or substandard in quality. → Replace the disc and repeat the recording procedure.
C13/Read Error	The deck could not read the TOC on the MD properly. → Take out the MD and insert it again.
C14/TOC Error	The deck could not read the TOC on the MD properly. → Insert another disc. → If possible, erase all the tracks on the MD (page 31).
C71/Din Unlock	The sporadic appearance of this message is caused by the digital signal being recorded. This will not affect the recording.  While recording from a digital component connected through the DIGITAL IN connector, the digital connecting cable was unplugged or the digital component turned off. → Connect the cable or turn the digital component back on.

### PROCEDURE FOR USING THE SELF-DIAGNOSIS FUNCTION (ERROR HISTORY DISPLAY MODE)

Note: Perform the self-diagnosis function in the “error history display mode” in the test mode. The following describes the least required procedure. Be careful not to enter other modes by mistake. If you set other modes accidentally, press the MENU/NO button to exit the mode.

1. While pressing the **AMS** knob and **■** button, connect the power plug to the outlet, and release the **AMS** knob and **■** button.
2. Turn the **AMS** knob and when “[Service]” is displayed, press the **YES** button.
3. Turn the **AMS** knob to display “ERR DP MODE”.
4. Press the **YES** button to sets the error history mode and displays “total rec”.
5. Select the contents to be displayed or executed using the **AMS** knob.
6. Press the **AMS** knob to display or execute the contents selected.
7. Press the **AMS** knob another time returns to step 4.
8. Press the **MENU/NO** button to display “ERROR DP MODE” and exits the error history mode.
9. To exit the test mode, press the **REPEAT** button. The unit sets into the STANDBY state, the disc is ejected, and the test mode ends.

**Items of Error History Mode Items and Contents**  
**Selecting the Test Mode**

Display	Details of History
total rec	Displays the recording time. Displayed as “r□□□□□h”. The displayed time is the total time the laser is set to the high power state. This is about 1/4 of the actual recording time. The time is displayed in decimal digits from 0h to 65535h.
total play	Displays the play time. Displayed as “p□□□□□h”. The time displayed is the total actual play time. Pauses are not counted. The time is displayed in decimal digits from 0h to 65535h.
retry err	Displays the total number of retries during recording and number of retry errors during play. Displayed as “r□□ p□□”. “r” indicates the retries during recording while “p” indicates the retry errors during play. The number of retries and retry errors are displayed in hexadecimal digits from 00 to FF.
total err	Displays the total number of errors. Displayed as “total □□”. The number of errors is displayed in hexadecimal digits from 00 to FF.
err history	Displays the 10 latest errors. Displayed as “0□ E@@”. □ indicates the history number. The smaller the number, the more recent is the error. (00 is the latest). @@ indicates the error code. Refer to the following table for the details. The error history can be switched by turning the  knob.
er refresh	Mode which erases the “retry err”, “total err”, and “err history” histories. When returning the unit to the customer after completing repairs, perform this to erase the past error history. After pressing the  button and “er refresh?” is displayed, press the <b>YES</b> button to erase the history. “Complete!” will be displayed momentarily. Be sure to check the following when this mode has been executed. <ul style="list-style-type: none"> <li>• The data has been erased.</li> <li>• The mechanism operates normally when recording and play are performed.</li> </ul>
tm refresh	Mode which erases the “total rec” and “total play” histories. These histories serve as approximate indications of when to replace the optical pickup. If the optical pickup has been replaced, perform this operation and erase the history. After pressing the  button and “tm refresh?” is displayed, press the <b>YES</b> button to erase the history. “Complete!” will be displayed momentarily. Be sure to check the following when this mode has been executed. <ul style="list-style-type: none"> <li>• The data has been erased.</li> <li>• The mechanism operates normally when recording and play are performed.</li> </ul>

**Table of Error Codes**

Error Code	Details of Error	Error Code	Details of Error
E00	No error	E05	FOK has deviated
E01	Disc error. PTOC cannot be read (DISC ejected)	E06	Cannot focus (Servo has deviated)
		E07	Recording retry
E02	Disc error. UTOC error (DISC not ejected)	E08	Recording retry error
		E09	Playback retry error (Access error)
E03	Loading error		
E04	Address cannot be read (Servo has deviated)	E0A	Playback retry error (C2 error)

# SECTION 1 SERVICING NOTES

## TABLE OF CONTENTS

<b>SELF-DIAGNOSIS FUNCTION</b> .....	2
<b>1. SERVICING NOTES</b> .....	4
<b>2. GENERAL</b> .....	11
<b>3. DISASSEMBLY</b> .....	13
<b>4. TEST MODE</b> .....	17
<b>5. ELECTRICAL ADJUSTMENTS</b> .....	22
<b>6. DIAGRAMS</b>	
6-1. Block Diagram – MD SERVO Section – .....	31
6-2. Block Diagram – MAIN Section – .....	33
6-3. Note for Printed Wiring Boards and Schematic Diagrams .....	35
6-4. Printed Wiring Board – BD Board – .....	37
6-5. Schematic Diagram – BD Board (1/2) – .....	39
6-6. Schematic Diagram – BD Board (2/2) – .....	41
6-7. Schematic Diagram – SW Board – .....	44
6-8. Printed Wiring Board – SW Board – .....	44
6-9. Printed Wiring Board – MAIN Board – .....	45
6-10. Schematic Diagram – MAIN Board (1/2) – .....	47
6-11. Schematic Diagram – MAIN Board (2/2) – .....	49
6-12. Printed Wiring Boards – PANEL Section – .....	51
6-13. Schematic Diagram – PANEL Section – .....	53
6-14. IC Pin Function Description .....	58
<b>7. EXPLODED VIEWS</b> .....	65
<b>8. ELECTRICAL PARTS LIST</b> .....	69

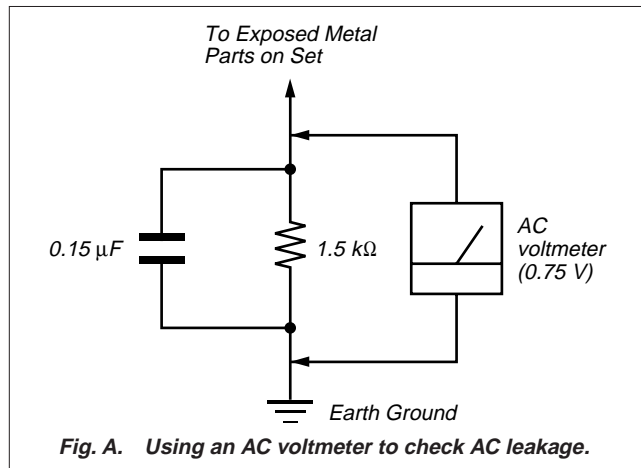
### SAFETY CHECK-OUT

After correcting the original service problem, perform the following safety check before releasing the set to the customer: Check the antenna terminals, metal trim, “metallized” knobs, screws, and all other exposed metal parts for AC leakage. Check leakage as described below.

### LEAKAGE TEST

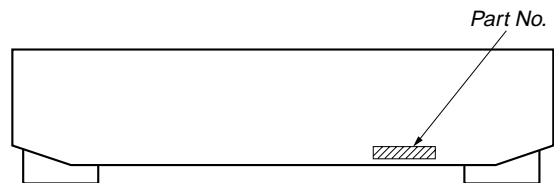
The AC leakage from any exposed metal part to earth ground and from all exposed metal parts to any exposed metal part having a return to chassis, must not exceed 0.5 mA (500 microampers.). Leakage current can be measured by any one of three methods.

1. A commercial leakage tester, such as the Simpson 229 or RCA WT-540A. Follow the manufacturers’ instructions to use these instruments.
2. A battery-operated AC milliammeter. The Data Precision 245 digital multimeter is suitable for this job.
3. Measuring the voltage drop across a resistor by means of a VOM or battery-operated AC voltmeter. The “limit” indication is 0.75 V, so analog meters must have an accurate low-voltage scale. The Simpson 250 and Sanwa SH-63Trd are examples of a passive VOM that is suitable. Nearly all battery operated digital multimeters that have a 2 V AC range are suitable. (See Fig. A)



### MODEL IDENTIFICATION

— BACK PANEL —



Model	Part No.
AEP, UK models	4-216-907-0□
US model	4-216-907-2□
Canadian model	4-216-907-3□
Singapore model	4-216-907-5□

### CAUTION

Danger of explosion if battery is incorrectly replaced.  
Replace only with the same or equivalent type recommended by the manufacturer.  
Discard used batteries according to the manufacturer's instructions.

### ADVARSEL!

Lithiumbatteri-Eksplosionsfare ved fejlagtig håndtering.  
Udskiftning må kun ske med batteri  
af samme fabrikat og type.  
Levér det brugte batteri tilbage til leverandøren.

### ADVARSEL

Eksplosjonsfare ved feilaktig skifte av batteri.  
Benytt samme batteritype eller en tilsvarende type  
anbefalt av apparatfabrikanten.  
Brukte batterier kasseres i henhold til fabrikantens  
instruksjoner.

### WARNING

Explosionsfara vid felaktigt batteribyte.  
Använd samma batterityp eller en likvärdig typ som  
rekommenderas av apparattillverkaren.  
Kassera använt batteri enligt gällande föreskrifter.

### VAROITUS

Paristo voi räjähtää, jos se on virheellisesti asennettu.  
Vaihda paristo ainoastaan laitevalmistajan suosittelemaan tyyppiin.  
Hävitä käytetty paristo valmistajan ohjeiden mukaisesti.

### SAFETY-RELATED COMPONENT WARNING!!

COMPONENTS IDENTIFIED BY MARK  $\triangle$  OR DOTTED LINE WITH MARK  $\triangle$  ON THE SCHEMATIC DIAGRAMS AND IN THE PARTS LIST ARE CRITICAL TO SAFE OPERATION. REPLACE THESE COMPONENTS WITH SONY PARTS WHOSE PART NUMBERS APPEAR AS SHOWN IN THIS MANUAL OR IN SUPPLEMENTS PUBLISHED BY SONY.

Laser component in this product is capable of emitting radiation exceeding the limit for Class 1.

CLASS 1 LASER PRODUCT  
LUOKAN 1 LASERLAITE  
KLASS 1 LASERAPPARAT

This appliance is classified as a CLASS 1 LASER product. The CLASS 1 LASER PRODUCT MARKING is located on the rear exterior.

**CAUTION** : INVISIBLE LASER RADIATION WHEN OPEN AND INTERLOCKS DEFEATED. AVOID EXPOSURE TO BEAM.  
**ADVARSEL** : USYNLIG LASERSTRÅLING VED ÅBNING NÅR SIKKERHEDSafbrydere er ude af funktion. undgå udsættelse for stråling.  
**VORSTICHT** : UNSICHTBARE LASERSTRAHLUNG, WENN ABDECKUNG GEÖFFNET UND SICHERHEITSVERRIEGELUNG ÜBERBRÜCKT. NICHT DEM STRAHL AUSSETZEN.  
**VARO!** : AVATTAESSA JA SUOJALUKITUS OHITETTAESSA OLET ALT-TIINA NÄKYMÄTTÖMÄLLE LASERSÄTEILYLLE. ÄLÄ KATSO SÄTEESEEN.  
**WARNING** : OSYNLIG LASERSTRÅLING NÅR DENNA DEL ÅR ÖPPNAD OCH SPÄRREN ÅR URKOPPLAD, BETRAKTA EJ STRÅLEN.  
**ADVERSEL** : USYNLIG LASERSTRÅLING NÅR DEKSEL ÅPNES OG SIKKERHEDSLÅS BRYTES. UNNGÅ EKSPONERING FOR STRÅLEN.  
**VIGYAZAT!** : A BURKOLAT NYITÁSAKOR LÁTHATATLAN LÉZERSUGÁRVESZÉLY! KERÜLJE A BESUGÁRZÁST!

This caution label is located inside the unit.

### CAUTION

Use of controls or adjustments or performance of procedures other than those specified herein may result in hazardous radiation exposure.

### Flexible Circuit Board Repairing

- Keep the temperature of the soldering iron around 270 °C during repairing.
- Do not touch the soldering iron on the same conductor of the circuit board (within 3 times).
- Be careful not to apply force on the conductor when soldering or unsoldering.

### Notes on chip component replacement

- Never reuse a disconnected chip component.
- Notice that the minus side of a tantalum capacitor may be damaged by heat.

### ATTENTION AU COMPOSANT AYANT RAPPORT À LA SÉCURITÉ!

LES COMPOSANTS IDENTIFIÉS PAR UNE MARQUE  $\triangle$  SUR LES DIAGRAMMES SCHÉMATIQUES ET LA LISTE DES PIÈCES SONT CRITIQUES POUR LA SÉCURITÉ DE FONCTIONNEMENT. NE REMPLACER CES COMPOSANTS QUE PAR DES PIÈCES SONY DONT LES NUMÉROS SONT DONNÉS DANS CE MANUEL OU DANS LES SUPPLÉMENTS PUBLIÉS PAR SONY.

## JIG FOR CHECKING BD BOARD WAVEFORM

The special jig (J-2501-149-A) is useful for checking the waveform of the BD board. The names of terminals and the checking items to be performed are shown as follows.

GND : Ground

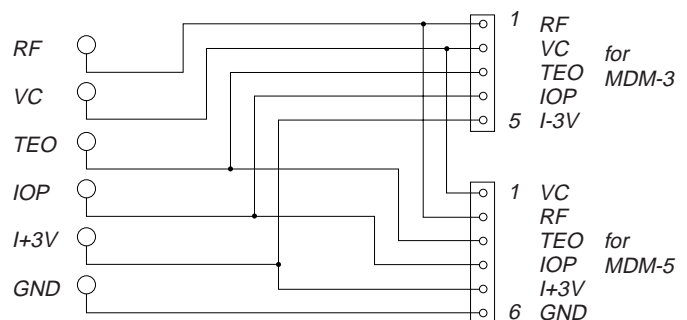
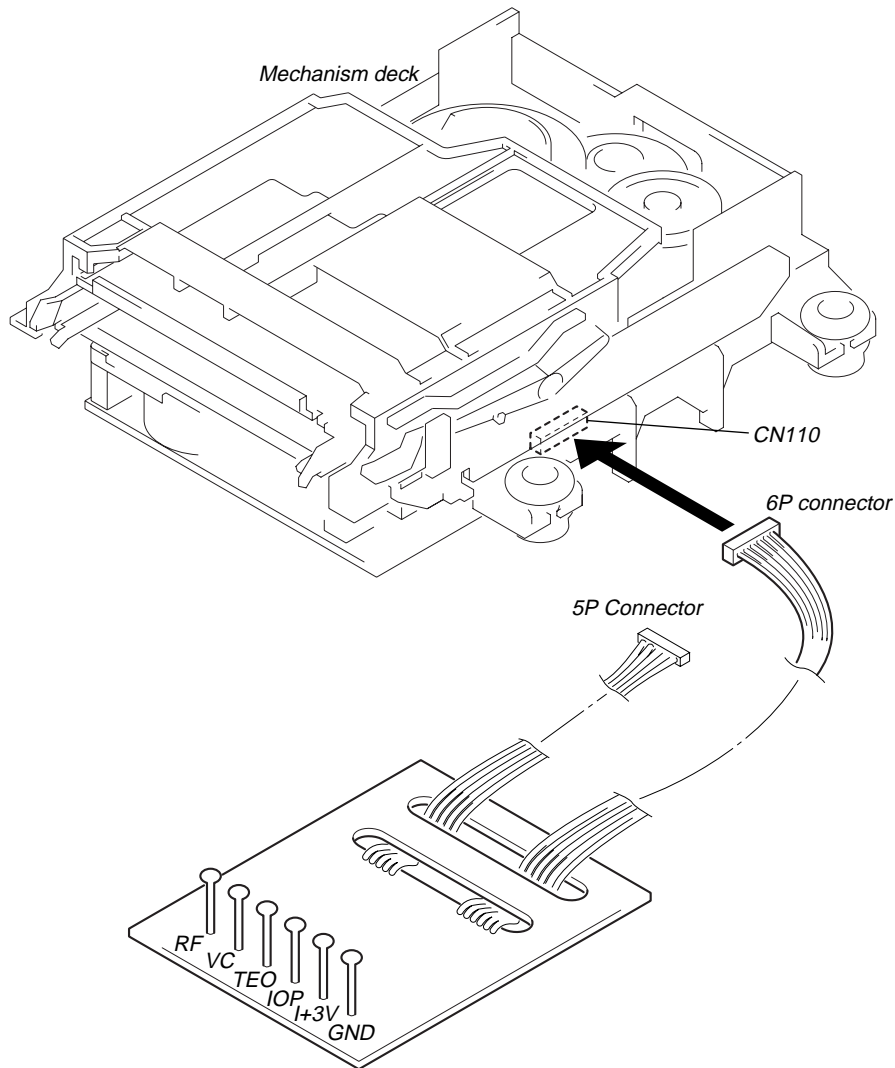
I+3V : For measuring IOP (Check the deterioration of the optical pick-up laser)

IOP : For measuring IOP (Check the deterioration of the optical pick-up laser)

TEO : TRK error signal (Traverse adjustment)

VC : Reference level for checking the signal

RF : RF signal (Check jitter)



## IOP DATA RECORDING AND DISPLAY WHEN OPTICAL PICK-UP AND NON-VOLATILE MEMORY (IC171 OF BD BOARD) ARE REPLACED

The IOP value labeled on the optical pick-up can be recorded in the non-volatile memory. By recording the value, it will eliminate the need to look at the value on the label of the optical pick-up. When replacing the optical pick-up or non-volatile memory (IC171 of BD board), record the IOP value on the optical pick-up according to the following procedure.

### Record Procedure:

1. While pressing the **◀◀ AMS ▶▶** knob and **■** button, connect the power plug to the outlet, and release the **◀◀ AMS ▶▶** knob and **■** button.
2. Turn the **◀◀ AMS ▶▶** knob to display “[Service]”, and press the **YES** button.
3. Turn the **◀◀ AMS ▶▶** knob to display “Iop Write” (C28), and press the **YES** button.
4. The display becomes “Ref=@@.@” (@ is an arbitrary number) and the numbers which can be changed will blink.
5. Input the IOP value written on the optical pick-up.  
To select the number : Turn the **◀◀ AMS ▶▶** knob.  
To select the digit : Press the **◀◀ AMS ▶▶** knob.
6. When the **YES** button is pressed, the display becomes “Measu=@@.@” (@ is an arbitrary number).
7. As the adjustment results are recorded for the 6 value. Leave it as it is and press the **YES** button.
8. “Complete!” will be displayed momentarily. The value will be recorded in the non-volatile memory and the display will become “Iop Write”.
9. Press the **REPEAT** button to complete.

### Display Procedure:

1. While pressing the **◀◀ AMS ▶▶** knob and **■** button, connect the power plug to the outlet, and release the **◀◀ AMS ▶▶** knob and **■** button.
2. Turn the **◀◀ AMS ▶▶** knob to display “[Service]”, and press the **YES** button.
3. Turn the **◀◀ AMS ▶▶** knob to display “Iop Read” (C27).
4. “@@.@/##.#” is displayed and the recorded contents are displayed.  
@@.@ : indicates the IOP value labeled on the optical pick-up.  
##.# : indicates the IOP value after adjustment
5. To end, press the **◀◀ AMS ▶▶** knob or **MENU/NO** button to display “Iop Read”. Then press the **REPEAT** button.

## CHECKS PRIOR TO PARTS REPLACEMENT AND ADJUSTMENTS

Before performing repairs, perform the following checks to determine the faulty locations up to a certain extent. Details of the procedures are described in “5 Electrical Adjustments”.

	Criteria for Determination (Unsatisfactory if specified value is not satisfied)	Measure if unsatisfactory:
Laser power check (6-2 : See page 24)	<ul style="list-style-type: none"> <li>0.9 mW power Specified value : 0.84 to 0.92 mW</li> <li>7.0 mW power Specified value : 6.8 to 7.2 mW</li> </ul>	<ul style="list-style-type: none"> <li>Clean the optical pick-up</li> <li>Adjust again</li> <li>Replace the optical pick-up</li> </ul>
	<ul style="list-style-type: none"> <li>lop (at 7mW)</li> <li>Labeled on the optical pickup Iop value <math>\pm</math> 10mA</li> </ul>	<ul style="list-style-type: none"> <li>Replace the optical pick-up</li> </ul>
Traverse check (6-3 : See page 24)	<ul style="list-style-type: none"> <li>Traverse waveform Specified value : Below 10% offset</li> </ul>	<ul style="list-style-type: none"> <li>Replace the optical pick-up</li> </ul>
Focus bias check (6-4 : See page 25)	<ul style="list-style-type: none"> <li>Error rate check Specified value : For points a, b, and c C1 error : About 200 AD error : Above 00</li> </ul>	<ul style="list-style-type: none"> <li>Replace the optical pick-up</li> </ul>
C PLAY check (6-5 : See page 25)	<ul style="list-style-type: none"> <li>Error rate check Specified value:               <ol style="list-style-type: none"> <li>When using test disc (MDW-74/AU-1) C1 error : Below 80 AD error : Below 2</li> <li>When using check disc (TDYS-1) C1 error : Below 50</li> </ol> </li> </ul>	<ul style="list-style-type: none"> <li>Replace the optical pick-up</li> </ul>
Self-recording/playback check (6-6 : See page 25)	<ul style="list-style-type: none"> <li>CPLAY error rate check Specified value: C1 error : Below 80 AD error : Below 2</li> </ul>	If always unsatisfactory: <ul style="list-style-type: none"> <li>Replace the overwrite head</li> <li>Check for disconnection of the circuits around the overwrite head</li> </ul>
		If occasionally unsatisfactory: <ul style="list-style-type: none"> <li>Check if the overwrite head is distorted</li> <li>Check the mechanism around the sled</li> </ul>
Temperature compensation offset check (6-1 : See page 24)	<ul style="list-style-type: none"> <li>Unsatisfactory if displayed as T=@@ (##) [NG” NG (@@, ## are both arbitrary numbers)</li> </ul>	<ul style="list-style-type: none"> <li>Check for disconnection of the circuits around D101 (BD board)</li> <li>Check the signals around IC101, IC121, CN102, CN103 (BD board)</li> </ul>

### Note:

The criteria for determination above is intended merely to determine if satisfactory or not, and does not serve as the specified value for adjustments. When performing adjustments, use the specified values for adjustments.



## RETRY CAUSE DISPLAY MODE

- In this test mode, the causes for retry of the unit during recording can be displayed on the fluorescent indicator tube. During playback, the “track mode” for obtaining track information will be set. This is useful for locating the faulty part of the unit.
- The following will be displayed :
  - During recording and stop: Retry cause, number of retries, and number of retry errors.
  - During playback : Information such as type of disc played, part played, copyright.
 These are displayed in hexadecimal.

### Precedure:

- Load a recordable disc whose contents can be erased into the unit.
- Press the **MENU/NO** button. When “Edit Menu” is displayed on the fluorescent indicator tube, turn the **◀◀ AMS ▶▶** knob to display “All Erase?”.
- Press the **YES** button. (Or press the **◀◀ AMS ▶▶** knob)
- When “All Erase??” is displayed on the fluorescent indicator tube, the music calendar number blinks.
- Press the **YES** button to display “Complete!!”, and press the **■** button immediately. Wait for about 15 seconds while pressing the button. (The **◀◀ AMS ▶▶** knob can be pressed instead of the **YES** button for the same results.)
- When the “TOC” displayed on the fluorescent display tube goes off, release the **■** button.
- Press the **● REC** button to start recording. Then press the **■** button and start recording.
- To check the “track mode”, press the **▷** button to start play.
- To exit the test mode, press the **I/⏻** button, and turn OFF the power. When “TOC” disappears, disconnect the power plug from the outlet.

**Fig. 1 Reading the Test Mode Display (During recording and stop)**

RTs@@c##e\*\*

Fluorescent display tube display

@@ : Cause of retry  
 ## : Number of retries  
 \*\* : Number of retry errors

**Fig. 2 Reading the Test Mode Display (During playback)**

@@####\*\*\$\$

Fluorescent display tube display

@@ : Parts No. (name of area named on TOC)  
 ## : Cluster } Address  
 \*\* : Sector }  
 \$\$ : Track mode (Track information such as copy-right information of each part)

### Reading the Retry Cause Display

Hexadecimal	Higher Bits				Lower Bits				Hexa-decimal	Cause of Retry	Occurring conditions
	8	4	2	1	8	4	2	1			
Bit	b7	b6	b5	b4	b3	b2	b1	b0			
Binary	0	0	0	0	0	0	0	1	01	shock	When track jump (shock) is detected
	0	0	0	0	0	0	1	0	02	ader5	When ADER was counted more than five times continuously
	0	0	0	0	0	1	0	0	04	Discontinuous address	When ADIP address is not continuous
	0	0	0	0	1	0	0	0	08	DIN unlock	When DIN unlock is detected
	0	0	0	1	0	0	0	0	10	FCS incorrect	When not in focus
	0	0	1	0	0	0	0	0	20	IVR rec error	When ABCD signal level exceeds the specified range
	0	1	0	0	0	0	0	0	40	CLV unlock	When CLV is unlocked
	1	0	0	0	0	0	0	0	80	Access fault	When access operation is not performed normally

### Reading the Display:

Convert the hexadecimal display into binary display. If more than two causes, they will be added.

### Example

When 42 is displayed:

Higher bit: 4 = 0100 → b6

Lower bit : 2 = 0010 → b1

In this case, the retry cause is combined of “CLV unlock” and “ader5”.

When A2 is displayed:

Higher bit: A = 1010 → b7+b5

Lower bit : 2 = 0010 → b1

The retry cause in this case is combined of “access fault”, “IVR rec error”, and “ader5”.

### Reading the Retry Cause Display

Hexadecimal	Higher Bits				Lower Bits				Hexa- decimal	Details	
	8	4	2	1	8	4	2	1		When 0	When 1
Bit	b7	b6	b5	b4	b3	b2	b1	b0			
Binary	0	0	0	0	0	0	0	1	01	Emphasis OFF	Emphasis ON
	0	0	0	0	0	0	1	0	02	Monaural	Stereo
	0	0	0	0	0	1	0	0	04	This is 2-bit display. Normally 01.	
	0	0	0	0	1	0	0	0	08	01:Normal audio. Others:Invalid	
	0	0	0	1	0	0	0	0	10	Audio (Normal)	Invalid
	0	0	1	0	0	0	0	0	20	Original	Digital copy
	0	1	0	0	0	0	0	0	40	Copyright	No copyright
	1	0	0	0	0	0	0	0	80	Write prohibited	Write allowed

#### Reading the Display:

Convert the hexadecimal display into binary display. If more than two causes, they will be added.

Example When 84 is displayed:

Higher bit : 8 = 1000 → b7

Lower bit : 4 = 0100 → b2

In this case, as b2 and b7 are 1 and others are 0, it can be determined that the retry cause is combined of “emphasis OFF”, “monaural”, “original”, “copyright exists”, and “write allowed”.

Example When 07 is displayed:

Higher bit : 0 = 1000 → All 0

Lower bit : 7 = 0111 → b0+b1+b2

In this case, as b0, b1, and b2 are 1 and others are 0, it can be determined that the retry cause is combined of “emphasis ON”, “stereo”, “original”, “copyright exists”, and “write prohibited”.

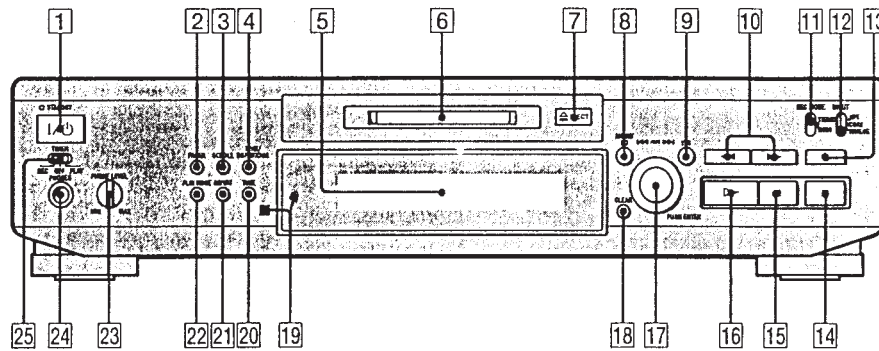
#### Hexadecimal → Binary Conversion Table

Hexadecimal	Binary	Hexadecimal	Binary
0	0000	8	1000
1	0001	9	1001
2	0010	A	1010
3	0011	B	1011
4	0100	C	1100
5	0101	D	1101
6	0110	E	1110
7	0111	F	1111

## SECTION 2 GENERAL

This section is extracted from instruction manual.

### LOCATION OF CONTROLS



**1** I/O (power) switch (15, 22)

Press to turn the deck on. When you turn the deck on, the STANDBY indicator turns off. When you press the switch again, the deck turns off and the indicator lights up.

**2** FADER button (39)

Press to perform Fade-in Play/Recording or Fade-out Play/Recording.

**3** SCROLL button (13)

Press to scroll the name of a track or MD.

**4** LEVEL/DISPLAY/CHAR button (12, 13, 17, 26, 34)

- Press during recording pause to adjust the recording level (in the case of analog recording).
- Press when the deck is stopped to display disc information or the contents of a program.
- Press during recording to display information on the track being recorded.
- Press during play to display information on the current track.
- Press while editing an MD to select the type of characters to be input.

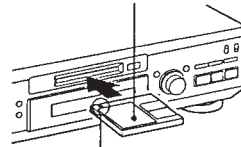
**5** Display window (11-13)

Shows various information.

**6** MD insertion slot (15, 22)

Insert the MD as illustrated below.

With the labeled side up



With the arrow pointing towards the deck

**7** EJECT button (16, 22)

Press to eject the MD.

**8** MENU/NO button (30, 39, 47, 48)

Press to display "Edit Menu" or "Setup Menu."

**9** YES button (26, 30, 32, 39)

Press to carry out the selected operation.

**10** <</> buttons (24, 26, 31, 34)

Press to locate a portion within a track, change the contents of a program, or change the input character.

**11** REC MODE switch (15)

Use to set the REC MODE to STEREO or MONO.

**12** INPUT switch (15)

Use to select the input jack (or connector) of the program source to be recorded.

**13** REC ● button (16-18)

Press to record on the MD, monitor the input signal, or mark track numbers.

**14** ■ button (16, 22, 30)

Press to stop play or recording, or cancel the selected operation.

**15** || button (16, 22)

Press to pause play or recording. Press again to resume play or recording.

**16** ▷ button (16, 22)

Press to start play.

**17** AMS control (15, 17, 22, 26, 30, 34, 38)

Turn to locate tracks, adjust the recording level, select the input characters, or select a menu item.

**18** CLEAR button (25, 27, 35)

Press to cancel the selection.

**19** Remote sensor (4)

Point the remote towards this sensor (19) for remote operations.

**20** TIME button (12, 13)

Press to display the remaining time.

**21** REPEAT button (24, 25)

Press to play tracks repeatedly.

**22** PLAY MODE button (25)

Press to select Shuffle Play or Program Play.

**23** PHONE LEVEL control (22)

Use to adjust the volume of the headphones.

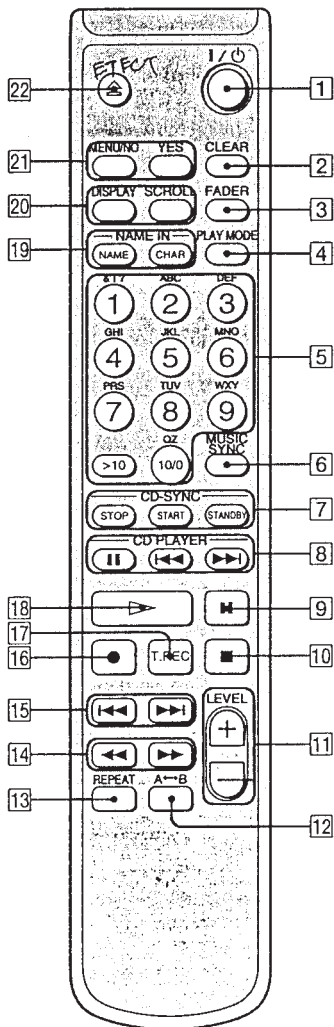
**24** PHONES jack (22)

Connect headphones.

**25** TIMER switch (41)

Use to set the timer for recording (REC) or playing (PLAY). Set to OFF to turn the timer off.

## Remote Parts Descriptions



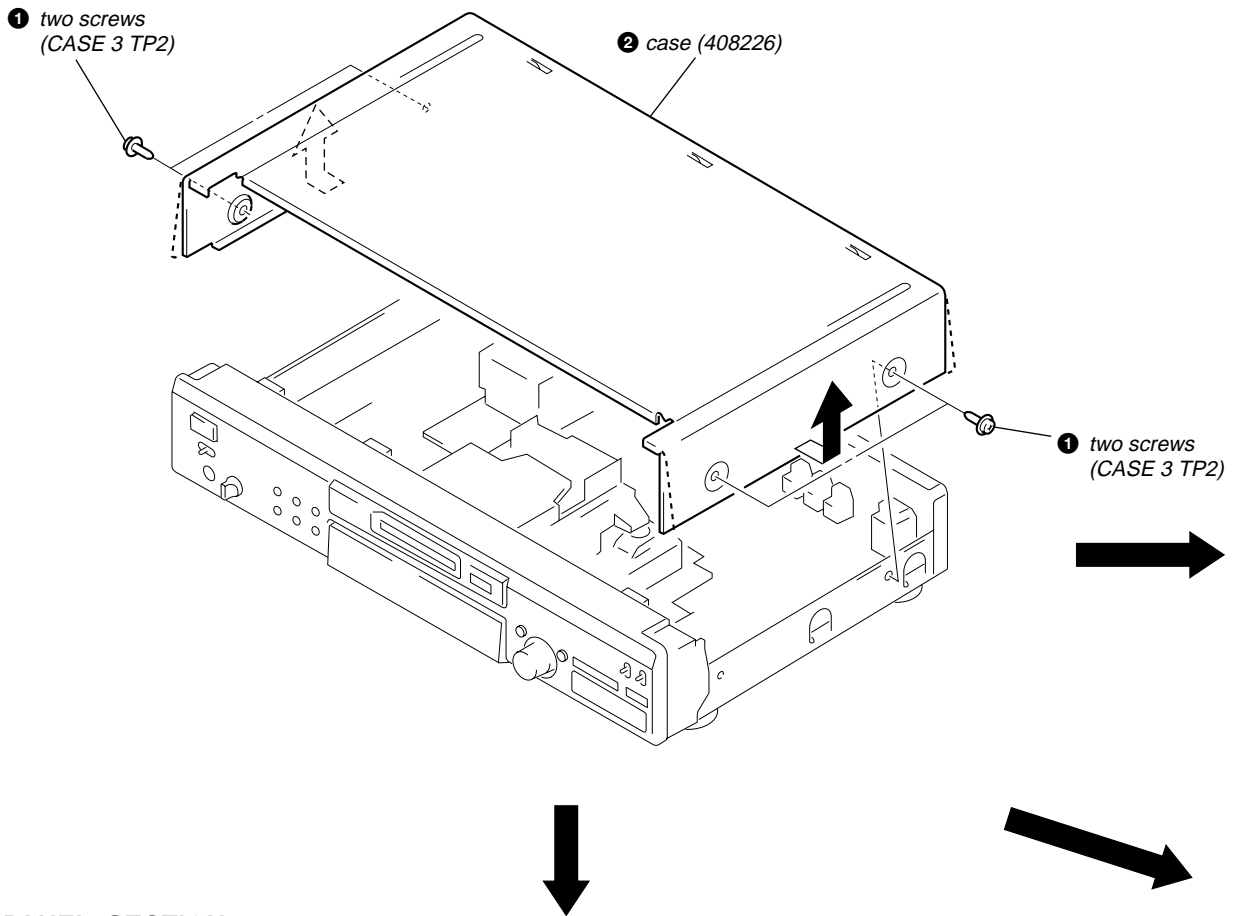
10<sup>68</sup>

- 1 I/⏻ (power) switch (15, 22)  
Press to turn the deck on. When you turn the deck on, the STANDBY indicator on the deck turns off. When you press the switch again, the deck turns off and the indicator lights up.
- 2 CLEAR button (25, 27, 35)  
Press to cancel the selection.
- 3 FADER button (39)  
Press to perform Fade-in Play/Recording or Fade-out Play/Recording.
- 4 PLAY MODE button (25)  
Press to select Shuffle Play or Program Play.
- 5 Letter/number buttons (23, 34)  
Press to input letters or numbers.
- 6 MUSIC SYNC button (20)  
Press to start Music Synchro-recording.
- 7 CD-SYNC STOP button (21)  
Press to stop CD Synchro-recording.  
CD-SYNC START button (20)  
Press to start CD Synchro-recording.  
CD-SYNC STANDBY button (20)  
Press to enter standby for CD Synchro-recording.
- 8 CD PLAYER ⏸ button (21)  
Press to pause the CD play. Press again to resume CD play.  
CD PLAYER ⏮/⏭ buttons (21)  
Press to locate tracks on the CD.
- 9 ⏸ button (16, 22)  
Press to pause play or recording. Press again to resume play or recording.
- 10 ■ button (16, 22, 30)  
Press to stop play, stop recording, or cancel the selected operation.
- 11 LEVEL +/- buttons (17)  
Press to adjust the recording level during analog recording.
- 12 A->B button (25)  
Press to select Repeat A-B Play.
- 13 REPEAT button (24, 25)  
Press to play tracks repeatedly.
- 14 ⏮/⏭ buttons (24, 26, 31, 34)  
Press to locate a portion within a track, change the contents of a program, or shift the cursor to the right.
- 15 ⏮/⏭ buttons (16-18, 22, 26, 30, 35, 38, 40)  
Press to locate tracks, adjust the recording level, or select a menu item.
- 16 ● button (16-18)  
Press to record on the MD, monitor the input signal, or mark track numbers.
- 17 T.REC button (19)  
Press to start Time Machine Recording.
- 18 ▷ button (16, 22)  
Press to start play.
- 19 NAME button (35)  
Press to add the name or change the name of a track or MD.  
CHAR button (35)  
Press to select the type of characters to be input.
- 20 DISPLAY button (12, 13, 17, 26)  
Press to select the information to be displayed in the window.  
SCROLL button (13)  
Press to scroll the name of a track or MD.
- 21 MENU/NO button (30, 39)  
Press to display "Edit Menu" or "Setup Menu."  
YES button (26, 30, 32, 39)  
Press to carry out the selected operation.
- 22 ⏏ button (16, 22)  
Press to eject the MD.

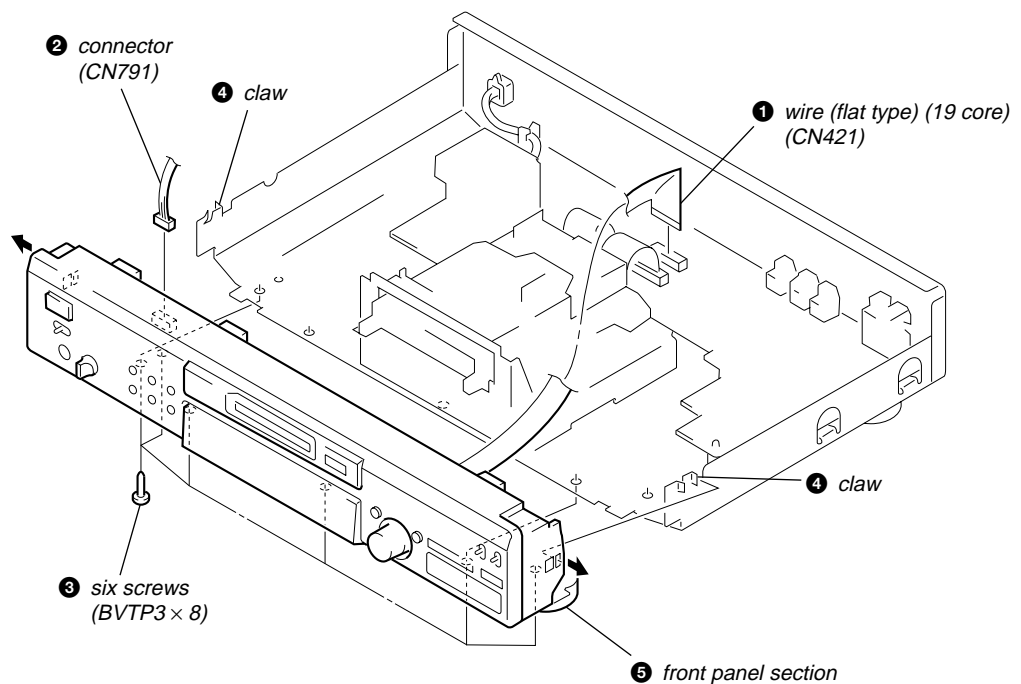
## SECTION 3 DISASSEMBLY

**Note:** Follow the disassembly procedure in the numerical order given.

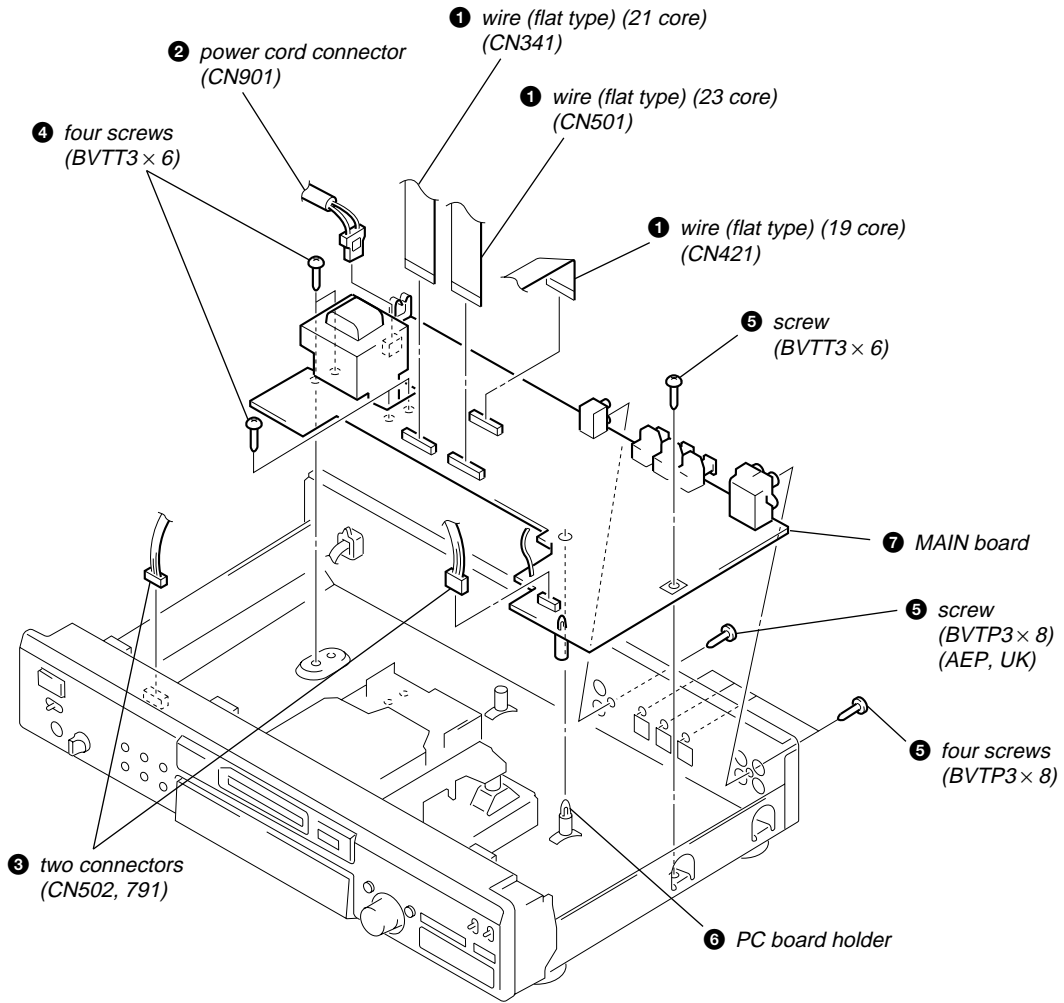
### CASE (408226)



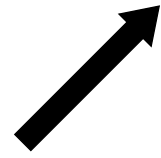
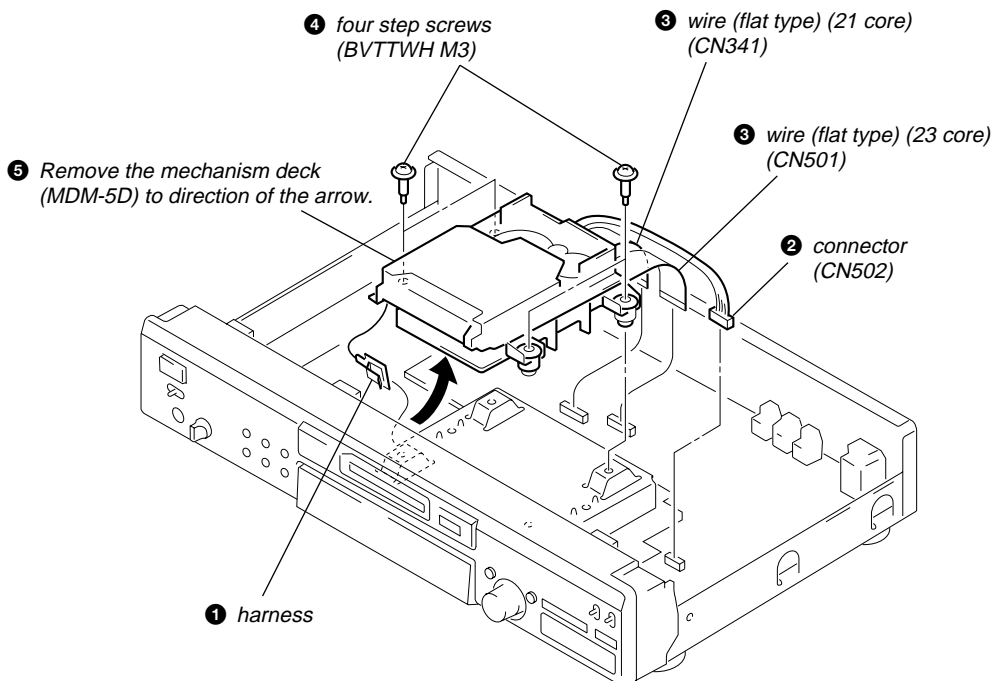
### FRONT PANEL SECTION



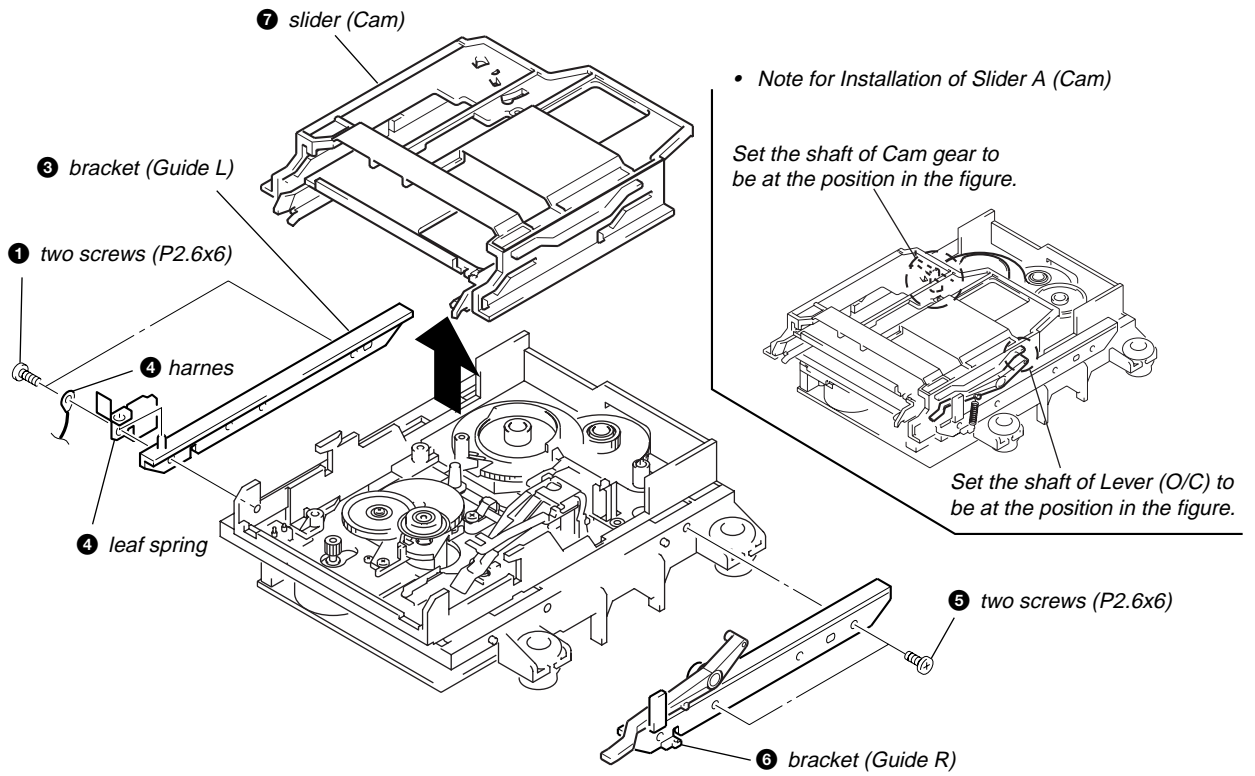
## MAIN BOARD



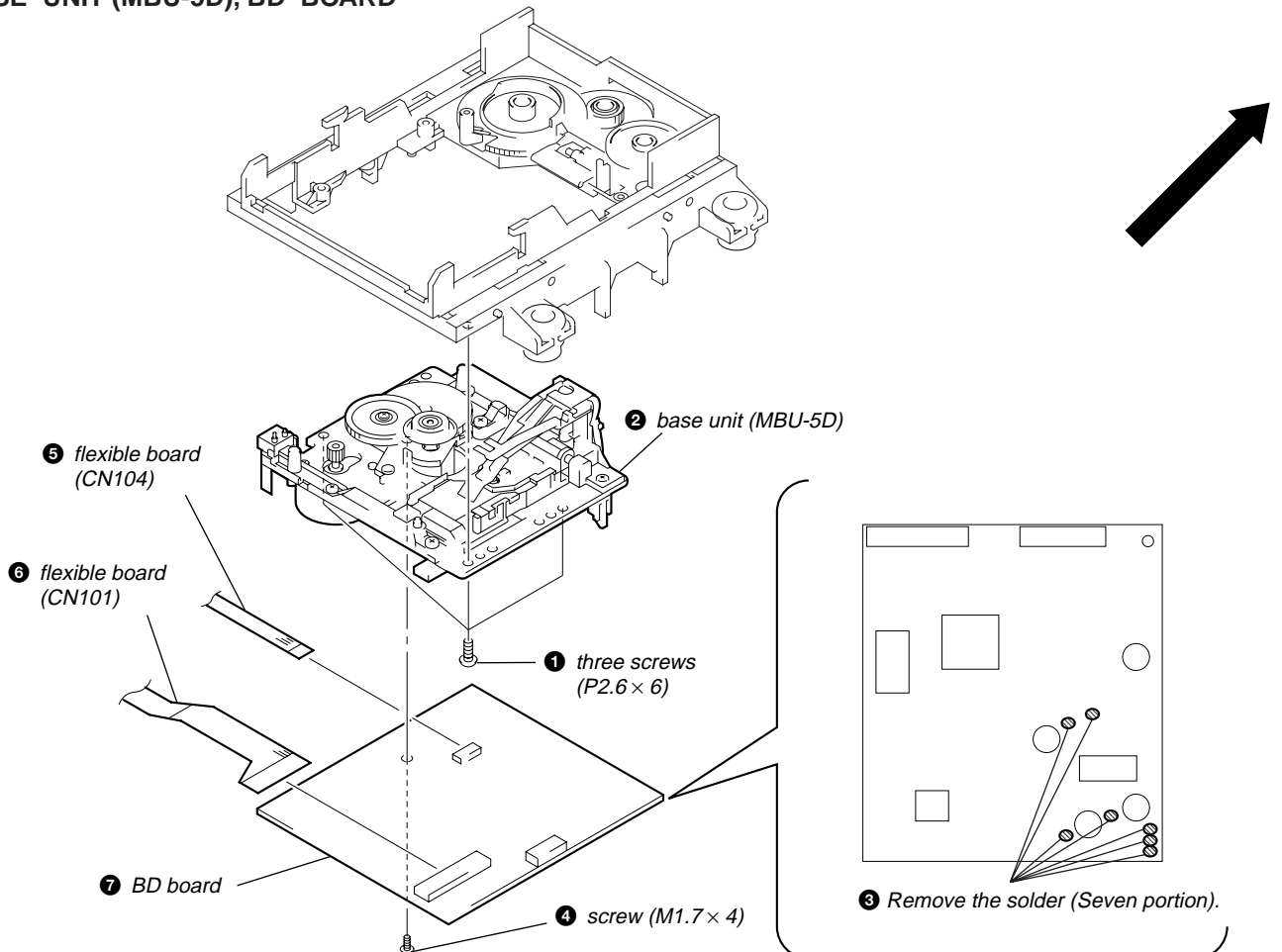
## MECHANISM DECK SECTION (MDM-5D)



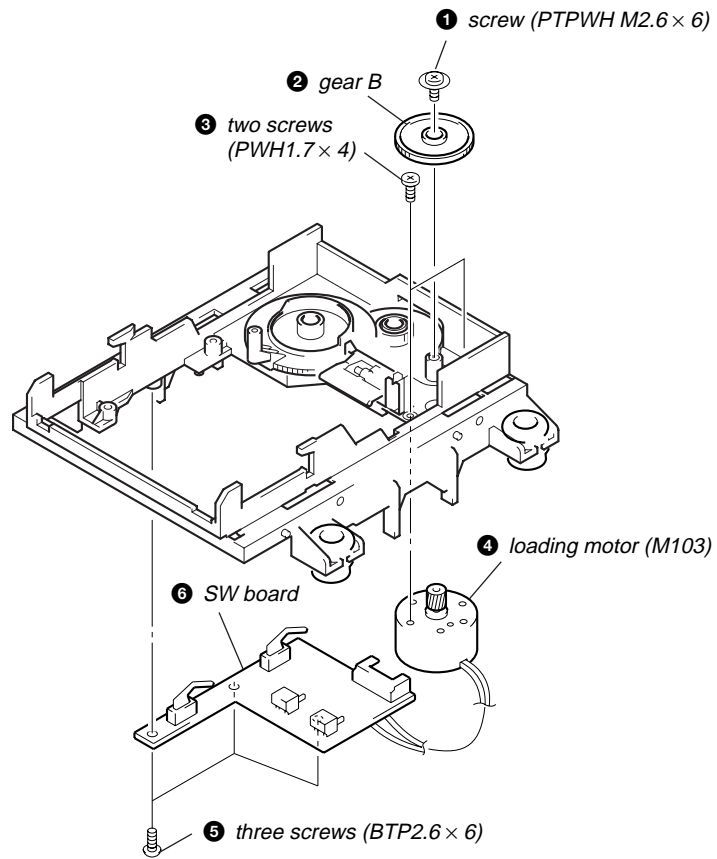
## SLIDER (CAM)



## BASE UNIT (MBU-5D), BD BOARD



## SW BOARD, LOADING MOTOR (M103)





# SECTION 4 TEST MODE

## 1. PRECAUTIONS FOR USE OF TEST MODE

- As loading related operations will be performed regardless of the test mode operations being performed, be sure to check that the disc is stopped before setting and removing it.  
Even if the **EJECT** button is pressed while the disc is rotating during continuous playback, continuous recording, etc., the disc will not stop rotating.  
Therefore, it will be ejected while rotating.  
Be sure to press the **EJECT** button after pressing the **MENU/NO** button and the rotation of disc is stopped.

### 1-1. Recording laser emission mode and operating buttons

- Continuous recording mode (CREC MODE)
- Laser power check mode (LDPWR CHECK)
- Laser power adjustment mode (LDPWR ADJUS)
- Traverse (MO) check (EF MO CHECK)
- Traverse (MO) adjustment (EF MO ADJUS)
- When pressing the **REC** button.

## 2. SETTING THE TEST MODE

The following are two methods of entering the test mode.

**Procedure 1:** While pressing the **AMS** knob and **STOP** button, connect the power plug to an outlet, and release the **AMS** knob and **STOP** button.

When the test mode is set, “[Check]” will be displayed. Turn the **AMS** knob switches between the following four groups; ... ↔ [Check] ↔ [Adjust] ↔ [Service] ↔ [Develop] ↔ ...

**Procedure 2:** While pressing the **AMS** knob, connect the power plug to the outlet and release the **AMS** knob.  
When the test mode is set, “TEMP CHECK” will be displayed. By setting the test mode using this method, only the “Check” group of method 1 can be executed.

## 3. EXITING THE TEST MODE

Press the **REPEAT** button. The disc is ejected when loaded, and “Standby” display blinks, and the STANDBY state is set.

## 4. BASIC OPERATIONS OF THE TEST MODE

All operations are performed using the **AMS** knob, **YES** button, and **MENU/NO** button.

The functions of these buttons are as follows.

Function name	Function
<b>AMS</b> knob	Changes parameters and modes
<b>YES</b> button	Proceeds onto the next step. Finalizes input.
<b>MENU/NO</b> button	Returns to previous step. Stops operations.

## 5. SELECTING THE TEST MODE

There are 31 types of test modes as shown below. The groups can be switched by rotating the **◀◀ AMS ▶▶** knob. After selecting the group to be used, press the **YES** button. After setting a certain group, rotating the **◀◀ AMS ▶▶** knob switches between these modes. Refer to “Group” in the table for details selected.

All items used for servicing can be treated using group S. So be carefully not to enter other groups by mistake.

Display	No.	Contents	Mark	Group (*)
TEMP CHECK	C01	Temperature compensation offset check		C S
LDPWR CHECK	C02	Laser power check		C S
EF MO CHECK	C03	Traverse (MO) check		C S
EF CD CHECK	C04	Traverse (CD) check		C S
FBIAS CHECK	C05	Focus bias check		C S
S curve CHECK	C06	S letter check	(X)	C
VERIFY MODE	C07	Non-volatile memory check	(X)	C
DETRK CHECK	C08	Detrack check	(X)	C
TEMP ADJUS	C09	Temperature compensation offset adjustment		A S
LDPWR ADJUS	C10	Laser power adjustment		A S
EF MO ADJUS	C11	Traverse (MO) adjustment		A S
EF CD ADJUS	C12	Traverse (CD) adjustment		A S
FBIAS ADJUS	C13	Focus bias adjustment		A S
EEP MODE	C14	Non-volatile memory control	(X) (!)	D
Impossible	C15	Command transmission	(X)	D
Impossible	C16	Status display	(X)	D
ERR DP MODE	C17	Error history display, clear		S
Impossible	C18	Sled check	(X)	D
Impossible	C19	Access check	(X)	D
Impossible	C20	Outermost circumference check	(X)	D
Impossible	C21	Head position check	(X)	D
Impossible	C22	Same functions as CPLAY MODE	(X)	D
Impossible	C23	Same functions as CREC MODE	(X)	D
ADJ CLEAR	C24	Initialization of non-volatile memory of adjustment value		A S
AG Set (MO)	C25	Auto gain output level adjustment (MO)		A S
AG Set (CD)	C26	Auto gain output level adjustment (CD)		A S
Iop Read	C27	IOP data display		C S
Iop Write	C28	IOP data write		A S
530 *****	C29	Microprocessing version display		C S
CPLAY MODE	C30	Continuous play mode		C A S D
CREC MODE	C31	Continuous recording mode		C A S D

Group (\*)

C: Check

A: Adjust

S: Service

D: Develop

- For details of each adjustment mode, refer to “5. Electrical Adjustments”.  
For details of “ERR DP MODE”, refer to “Self-Diagnosis Function” on page 2.
- If a different mode has been selected by mistake, press the **MENU/NO** button to exit that mode.
- Modes with (X) in the Mark column are not used for servicing and therefore are not described in detail. If these modes are set accidentally, press the **MENU/NO** button to exit the mode immediately. Be especially careful not to set the modes with (!) as they will overwrite the non-volatile memory and reset it, and as a result, the unit will not operate normally.

### 5-1. Operating the Continuous Playback Mode

- Entering the continuous playback mode
  - Set the disc in the unit. (Whichever recordable discs or discs for playback only are available.)
  - Turn the [◀◀ AMS ▶▶] knob and display “CPLAY MODE” (C30).
  - Press the [YES] button to change the display to “CPLAY MID”.
  - When access completes, the display changes to “C = [ ] AD = [ ]”.  
**Note:** The numbers “[ ]” displayed show you error rates and ADER.
- Changing the parts to be played back
  - Press the [YES] button during continuous playback to change the display as below.



When pressed another time, the parts to be played back can be moved.

- When access completes, the display changes to “C = [ ] AD = [ ]”.  
**Note:** The numbers “[ ]” displayed show you error rates and ADER.
- Ending the continuous playback mode
  - Press the [MENU/NO] button. The display will change to “CPLAY MODE”.
  - Press the [EJECT] button to remove the disc.  
**Note:** The playback start addresses for IN, MID, and OUT are as follows.

IN	40h cluster
MID	300h cluster
OUT	700h cluster

### 5-2. Operating the Continuous Recording Mode (Use only when performing self-recording/palyback check.)

- Entering the continuous recording mode
  - Set a recordable disc in the unit.
  - Turn the [◀◀ AMS ▶▶] knob and display “CREC MODE”.
  - Press the [YES] button to change the display to “CREC MID” (C31).
  - When access completes, the display changes to “CREC ([ ])” and [REC] lights up.  
**Note:** The numbers “[ ]” displayed shows you the recording position addresses.
- Changing the parts to be recorded
  - When the [YES] button is pressed during continuous recording, the display changes as below.



When pressed another time, the parts to be recorded can be changed. [REC] goes off.

- When access completes, the display changes to “CREC ([ ])” and [REC] lights up.  
**Note:** The numbers “[ ]” displayed shows you the recording position addresses.
- Ending the continuous recording mode
  - Press the [MENU/NO] button. The display changes to “CREC MODE” and [REC] goes off.
  - Press the [EJECT] button to remove the disc.  
**Note 1:** The recording start addresses for IN, MID, and OUT are as follows.

IN	40h cluster
MID	300h cluster
OUT	700h cluster

  
**Note 2:** The [MENU/NO] button can be used to stop recording anytime.  
**Note 3:** Do not perform continuous recording for long periods of time above 5 minutes.  
**Note 4:** During continuous recording, be careful not to apply vibration.

### 5-3. Non-Volatile Memory Mode (EEP MODE)

This mode reads and writes the contents of the non-volatile memory.

It is not used in servicing. If set accidentally, press the [MENU/NO] button immediately to exit it.

## 6. FUNCTIONS OF OTHER BUTTONS

Function	Contents
▷	Sets continuous playback when pressed in the STOP state. When pressed during continuous playback, the tracking servo turns ON/OFF.
■	Stops continuous playback and continuous recording.
▶▶	The sled moves to the outer circumference only when this is pressed.
◀◀	The sled moves to the inner circumference only when this is pressed.
SCROLL	Switches between the pit and groove modes when pressed.
PLAY MODE	Switches the spindle servo mode (CLVS ↔ CLV A).
LEVEL/DISPLAY/CHAR	Switches the displayed contents each time the button is pressed
≡ EJECT	Ejects the disc
REPEAT	Exits the test mode

## 7. TEST MODE DISPLAYS

Each time the [DISPLAY/CHAR] button is pressed, the display changes in the following order.

### 1. Mode display

Displays “TEMP ADJUS”, “CPLAYMODE”, etc.

### 2. Error rate display

Displays the error rate in the following way.

C = □□□□ AD = □□□□

C = Indicates the C1 error.

AD = Indicates ADER.

### 3. Address display

The address is displayed as follows. (MO: recordable disc, CD: playback only disc)

Pressing the [SCROLL/CLOCK SET] button switches between the group display and bit display.

h = □□□□ s = □□□□ (MO pit and CD)

h = □□□□ a = □□□□ (MO groove)

h = Indicates the header address.

s = Indicates the SUBQ address.

a = Indicates the ADIP address.

**Note:** “-” is displayed when servo is not imposed.

### 4. Auto gain display (Not used in servicing)

The auto gain is displayed as follows.

AG = □□/□□□□[ □□

### 5. Detrack check display (Not used in servicing)

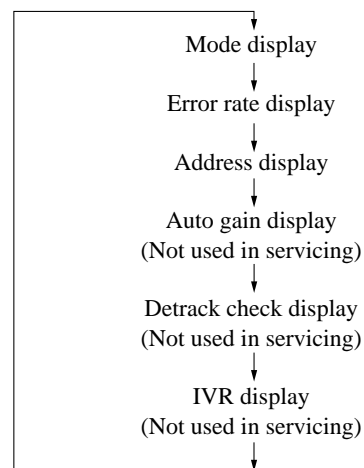
The detrack is displayed as follows.

ADR = □□□□□□□

### 6. IVR display (Not used in servicing)

The IVR is displayed as follows.

[□□][□□][□□



## MEANINGS OF OTHER DISPLAYS

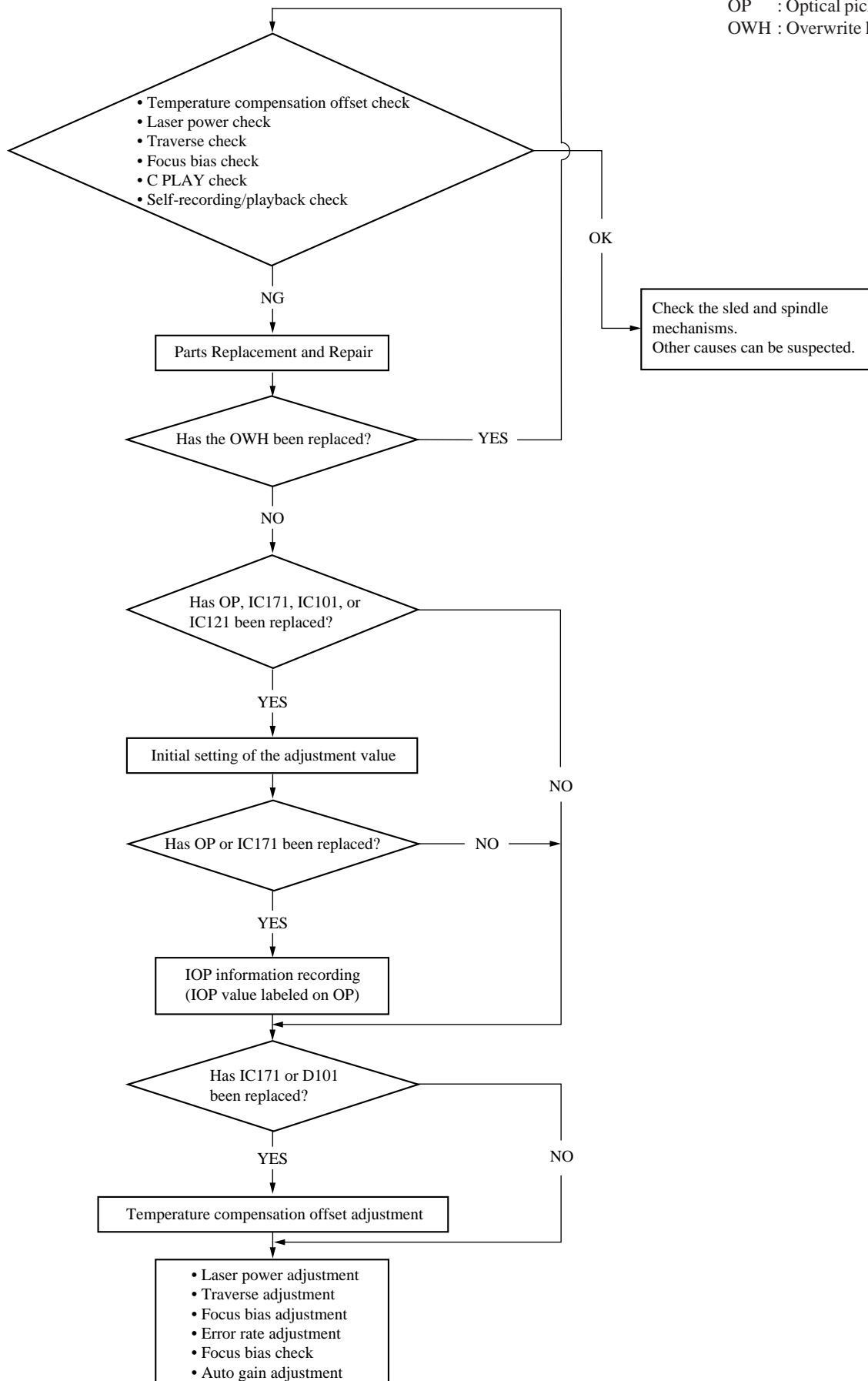
Display	Contents	
	When Lit	When Off
▶	During continuous playback (CLV: ON)	STOP (CLV: OFF)
	Tracking servo OFF	Tracking servo ON
<b>REC</b>	Recording mode ON	Recording mode OFF
SYNC	CLV low speed mode	CLV normal mode
A.SPACE	ABCD adjustment completed	
OVER	Tracking offset cancel ON	Tracking offset cancel OFF
B	Tracking auto gain OK	
A-	Focus auto gain OK	
TRACK	Pit	Groove
DISC	High reflection	Low reflection
SLEEP	CLV-S	CLV-A
MONO	CLV LOCK	CLV UNLOCK

# SECTION 5 ELECTRICAL ADJUSTMENTS

## 1. PARTS REPLACEMENT AND ADJUSTMENT

- Check and adjust the MDM and MBU as follows.  
The procedure changes according to the part replaced

- Abbreviation  
OP : Optical pick-up  
OWH : Overwrite head

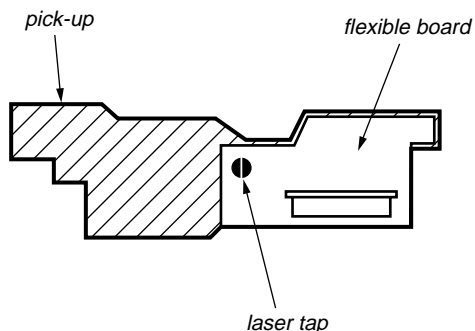


## 2. PRECAUTIONS FOR CHECKING LASER DIODE EMISSION

To check the emission of the laser diode during adjustments, never view directly from the top as this may lose your eye-sight.

## 3. PRECAUTIONS FOR USE OF OPTICAL PICK-UP (KMS-260A)

As the laser diode in the optical pick-up is easily damaged by static electricity, solder the laser tap of the flexible board when using it. Before disconnecting the connector, desolder first. Before connecting the connector, be careful not to remove the solder. Also take adequate measures to prevent damage by static electricity. Handle the flexible board with care as it breaks easily.



**Optical pick-up flexible board**

## 4. PRECAUTIONS FOR ADJUSTMENTS

- When replacing the following parts, perform the adjustments and checks with ○ in the order shown in the following table.

	Optical Pick-up	BD Board			
		IC171	D101	IC101, IC121	IC192
1. Initial setting of adjustment value	○	○	×	○	×
2. Recording of IOP information (Value written in the pick-up)	○	○	×	×	×
3. Temperature compensation offset adjustment	×	○	○	×	×
4. Laser power adjustment	○	○	×	○	○
5. Traverse adjustment	○	○	×	○	×
6. Focus bias adjustment	○	○	×	○	×
7. Error rate check	○	○	×	○	×
8. Auto gain output level adjustment	○	○	×	○	×

- Set the test mode when performing adjustments. After completing the adjustments, exit the test mode. Perform the adjustments and checks in “group S” of the test mode.
- Perform the adjustments to be needed in the order shown.

- Use the following tools and measuring devices.
  - Check Disc (MD) TDYS-1 (Parts No. 4-963-646-01)
  - TEST DISK (MDW-74/AU-1) (Parts No. 8-892-341-41)
  - Laser power meter LPM-8001 (Parts No. J-2501-046-A) or MD Laser power meter 8010S (Parts No. J-2501-145-A)
  - Oscilloscope (Measure after performing CAL of prove)
  - Digital voltmeter
  - Thermometer
  - Jig for checking BD board waveform (Parts No. : J-2501-149-A)
- When observing several signals on the oscilloscope, etc., make sure that VC and ground do not connect inside the oscilloscope. (VC and ground will become short-circuited)
- Using the above jig enables the waveform to be checked without the need to solder. (Refer to Servicing Notes on page 6)
- As the disc used will affect the adjustment results, make sure that no dusts nor fingerprints are attached to it.

## Laser power meter

When performing laser power checks and adjustment (electrical adjustment), use of the new MD laser power meter 8010S (J-2501-145-A) instead of the conventional laser power meter is convenient.

It sharply reduces the time and trouble to set the laser power meter sensor onto the objective lens of the pick-up.

## 5. CREATING CONTINUOUSLY-RECORDED DISC

\* This disc is used in focus bias adjustment and error rate check. The following describes how to create a continuous recording disc.

- Insert a disc (blank disc) commercially available.
- Turn the [◀◀ AMS ▶▶] knob and display “CREC MODE”. (C31)
- Press the [YES] button again to display “CREC MID”. Display “CREC (0300)” and start to recording.
- Complete recording within 5 minutes.
- Press the [MENU/NO] button and stop recording .
- Press the [EJECT] button and remove the disc.

The above has been how to create a continuous recorded data for the focus bias adjustment and error rate check.

### Note :

- Be careful not to apply vibration during continuous recording.

## 6. CHECK PRIOR TO REPAIRS

These checks are performed before replacing parts according to “approximate specifications” to determine the faulty locations. For details, refer to “Checks Prior to Parts Replacement and Adjustments” (See page 8).

### 6-1. Temperature Compensation Offset Check

When performing adjustments, set the internal temperature and room temperature of 22 °C to 28 °C.

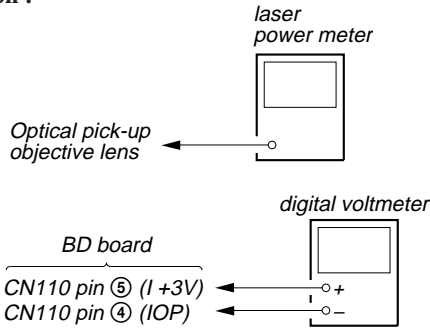
#### Checking Procedure:

1. Turn the  $\llbracket \llcorner \llcorner \text{AMS} \triangleright \triangleright \rrbracket$  knob to display “TEMP CHECK” (C01).
2. Press the  $\llbracket \text{YES} \rrbracket$  button.
3. “T=@@ (##) [OK]” should be displayed. If “T=@@ (##) [NG]” is displayed, it means that the results are bad. (@@ indicates the current value set, and ## indicates the value written in the non-volatile memory)

### 6-2. Laser Power Check

Before checking, check the IOP value of the optical pick-up. (Refer to 5-8. Recording and Displaying IOP Information)

#### Connection :



#### Checking Procedure:

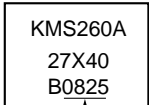
1. Set the laser power meter on the objective lens of the optical pick-up. (When it cannot be set properly, press the  $\llbracket \llcorner \llcorner \rrbracket$  button or  $\llbracket \triangleright \triangleright \rrbracket$  button to move the optical pick-up) Connect the digital volt meter to CN110 pin ⑤ (I+3V) and CN110 pin ④ (IOP).
2. Then, turn the  $\llbracket \llcorner \llcorner \text{AMS} \triangleright \triangleright \rrbracket$  knob and display “LDPWR CHECK” (C02).
3. Press the  $\llbracket \text{YES} \rrbracket$  button once and display “LD 0.9 mW \$  $\llbracket \text{ } \rrbracket$ ”. Check that the reading of the laser power meter become 0.84 to 0.92 mW.
4. Press the  $\llbracket \text{YES} \rrbracket$  button once more and display “LD 7.0 mW \$  $\llbracket \text{ } \rrbracket$ ”. Check that the reading the laser power meter and digital volt meter satisfy the specified value.

#### Specification:

Laser power meter reading:  $7.0 \pm 0.2$  mW

Digital voltmeter reading : Optical pick-up displayed value  $\pm 10\%$

(Optical pick-up label)



IOP=82.5 mA in this case

$IOP (mA) = \text{Digital voltmeter reading (mV)} / 1 (\Omega)$

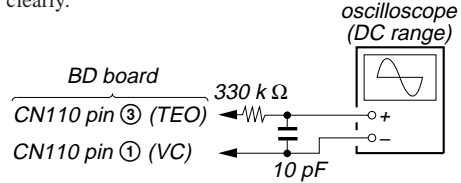
5. Press the  $\llbracket \text{MENU/NO} \rrbracket$  button and display “LDPWR CHECK” and stop the laser emission. (The  $\llbracket \text{MENU/NO} \rrbracket$  button is effective at all times to stop the laser emission)

**Note 1:** After step 4, each time the  $\llbracket \text{YES} \rrbracket$  button is pressed, the display will be switched between “LD 0.7 mW \$  $\llbracket \text{ } \rrbracket$ ”, “LD 6.2 mW \$  $\llbracket \text{ } \rrbracket$ ”, and “LD Wp ホセイ \$  $\llbracket \text{ } \rrbracket$ ”. Nothing needs to be performed here.

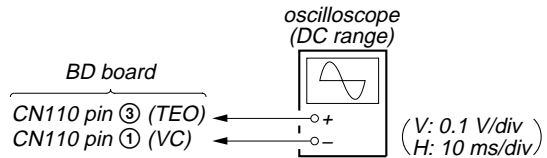
### 6-3. Traverse Check

**Note 1:** Data will be erased during MO reading if a recorded disc is used in this adjustment.

**Note 2:** If the traverse waveform is not clear, connect the oscilloscope as shown in the following figure so that it can be seen more clearly.



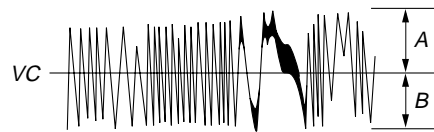
#### Connection :



#### Checking Procedure:

1. Connect an oscilloscope to CN110 pin ③ (TEO) and CN110 pin ① (VC) of the BD board.
2. Load a disc (any available on the market). (Refer to Note 1)
3. Press the  $\llbracket \triangleright \triangleright \rrbracket$  button and move the optical pick-up outside the pit.
4. Turn the  $\llbracket \llcorner \llcorner \text{AMS} \triangleright \triangleright \rrbracket$  knob and display “EF MO CHECK” (C03).
5. Press the  $\llbracket \text{YES} \rrbracket$  button and display “EFB =  $\llbracket \text{ } \rrbracket$  MO-R”. (Laser power READ power/Focus servo ON/tracking servo OFF/spindle (S) servo ON)
6. Observe the waveform of the oscilloscope, and check that the specified value is satisfied. Do not turn the  $\llbracket \llcorner \llcorner \text{AMS} \triangleright \triangleright \rrbracket$  knob. (Read power traverse checking)

(Traverse Waveform)

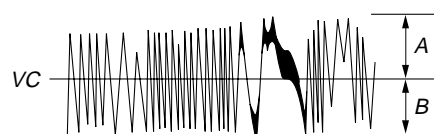


Specified value : Below 10% offset value

$$\text{Offset value (\%)} = \frac{|A - B|}{2(A + B)} \times 100$$

7. Press the  $\llbracket \text{YES} \rrbracket$  button and display “EFB =  $\llbracket \text{ } \rrbracket$  MO-W”.
8. Observe the waveform of the oscilloscope, and check that the specified value is satisfied. Do not turn the  $\llbracket \llcorner \llcorner \text{AMS} \triangleright \triangleright \rrbracket$  knob. (Write power traverse checking)

(Traverse Waveform)



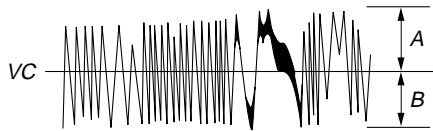
Specified value : Below 10% offset value

$$\text{Offset value (\%)} = \frac{|A - B|}{2(A + B)} \times 100$$



9. Press the **[YES]** button display “EFB =  $\square\square$  MO-P”.  
Then, the optical pick-up moves to the pit area automatically and servo is imposed.
10. Observe the waveform of the oscilloscope, and check that the specified value is satisfied. Do not turn the **[◀◀ AMS ▶▶]** knob.

(Traverse Waveform)

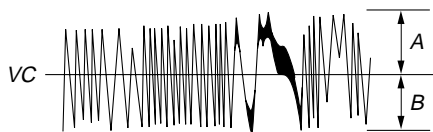


Specified value : Below 10% offset value

$$\text{Offset value (\%)} = \frac{|A - B|}{2(A + B)} \times 100$$

11. Press the **[YES]** button display “EF MO CHECK”.  
The disc stops rotating automatically.
12. Press the **[EJECT]** button and remove the disc.
13. Load the check disc (MD) TDYS-1.
14. Turn the **[◀◀ AMS ▶▶]** knob and display “EF CD CHECK” (C04).
15. Press the **[YES]** button and display “EFB =  $\square\square$  CD”. Servo is imposed automatically.
16. Observe the waveform of the oscilloscope, and check that the specified value is satisfied. Do not turn the **[◀◀ AMS ▶▶]** knob.

(Traverse Waveform)



Specified value : Below 10% offset value

$$\text{Offset value (\%)} = \frac{|A - B|}{2(A + B)} \times 100$$

17. Press the **[YES]** button and display “EF CD CHECK”.
18. Press the **[EJECT]** button and take out the check disc.

#### 6-4. Focus Bias Check

Change the focus bias and check the focus tolerance amount.

Checking Procedure :

1. Load the test disk (MDW-74/AU-1).
2. Turn the **[◀◀ AMS ▶▶]** knob and display “CPLAY MODE” (C30).
3. Press the **[YES]** button twice and display “CPLAY MID”.
4. Press the **[MENU/NO]** button when “C =  $\square\square\square$  AD =  $\square\square$ ” is displayed.
5. Turn the **[◀◀ AMS ▶▶]** knob and display “FBIAS CHECK” (C05).
6. Press the **[YES]** button and display “ $\square\square\square/\square\square$  c =  $\square\square$ ”.  
The first four digits indicate the C1 error rate, the two digits after [/] indicate ADER, and the 2 digits after [c =] indicate the focus bias value.  
Check that the C1 error is below 50 and ADER is below 2.
7. Press the **[YES]** button and display “ $\square\square\square/\square\square$  b =  $\square\square$ ”.  
Check that the C1 error is about 200 and ADER is below 2.
8. Press the **[YES]** button and display “ $\square\square\square/\square\square$  a =  $\square\square$ ”.  
Check that the C1 error is about 200 and ADER is below 2.
9. Press the **[MENU/NO]** button, next press the **[EJECT]** button and take out the test disc.

#### 6-5. C PLAY Checking

##### MO Error Rate Check

Checking Procedure :

1. Load the test disk (MDW-74/AU-1).
2. Turn the **[◀◀ AMS ▶▶]** knob and display “CPLAY MODE” (C30).
3. Press the **[YES]** button and display “CPLAY MID”.
4. The display changes to “C =  $\square\square\square$  AD =  $\square\square$ ”.
5. If the C1 error rate is below 80, check that ADER is below 2.
6. Press the **[MENU/NO]** button, stop playback, press the **[EJECT]** button and take out the test disc.

##### CD Error Rate Check

Checking Procedure :

1. Load the check disc (MD) TDYS-1.
2. Turn the **[◀◀ AMS ▶▶]** knob and display “CPLAY MODE” (C30).
3. Press the **[YES]** button twice and display “CPLAY MID”.
4. The display changes to “C =  $\square\square\square$  AD =  $\square\square$ ”.
5. Check that the C1 error rate is below 50.
6. Press the **[MENU/NO]** button, stop playback, press the **[EJECT]** button and take out the check disc.

#### 6-6. Self-Recording/playback Check

Prepare a continuous recording disc using the unit to be repaired and check the error rate.

Checking Procedure :

1. Insert a recordable disc (blank disc) into the unit.
2. Turn the **[◀◀ AMS ▶▶]** knob to display “CREC MODE” (C31).
3. Press the **[YES]** button to display the “CREC MID”.
4. When recording starts, “**REC**” is displayed, this becomes “CREC @@@@” (@@@@ is the address), and recording starts.
5. About 1 minute later, press the **[MENU/NO]** button to stop continuous recording.
6. Turn the **[◀◀ AMS ▶▶]** knob to display “CPLAY MODE” (C30).
7. Press the **[YES]** button to display “CPLAY MID”.
8. “C =  $\square\square\square$  AD =  $\square\square$ ” will be displayed.
9. Check that the C1 error becomes below 80 and the AD error below 2.
10. Press the **[MENU/NO]** button to stop playback, and press the **[EJECT]** button and take out the disc.

## 7. INITIAL SETTING OF ADJUSTMENT VALUE

### Note:

Mode which sets the adjustment results recorded in the non-volatile memory to the initial setting value. However the results of the temperature compensation offset adjustment will not change to the initial setting value.

If initial setting is performed, perform all adjustments again excluding the temperature compensation offset adjustment.

For details of the initial setting, refer to "4. Precautions on Adjustments" and execute the initial setting before the adjustment as required.

### Setting Procedure :

1. Turn the **[◀◀AMS▶▶]** knob to display "ADJ CLEAR (C24)".
2. Press the **[YES]** button. "Complete!" will be displayed momentarily and initial setting will be executed, after which "ADJ CLEAR" will be displayed.

## 8. RECORDING AND DISPLAYING THE IOP INFORMATION

The IOP data can be recorded in the non-volatile memory. The IOP value on the label of the optical pickup and the IOP value after the adjustment will be recorded. Recording these data eliminates the need to read the label on the optical pick-up.

### Recording Procedure :

1. Turn the **[◀◀AMS▶▶]** knob to display "Iop Write" (C28), and press the **[YES]** button.
2. The display becomes Ref=@@.@ (@ is an arbitrary number) and the numbers which can be changed will blink.
3. Input the IOP value written on the optical pick-up.  
To select the number : Turn the **[◀◀AMS▶▶]** knob.  
To select the digit : Press the **[◀◀AMS▶▶]** knob
4. When the **[YES]** button is pressed, the display becomes "Measu=@@.@." (@ is an arbitrary number).
5. As the adjustment results are recorded for the 6 value. Leave it as it is and press the **[YES]** button.
6. "Complete!" will be displayed momentarily. The value will be recorded in the non-volatile memory and the display will become "Iop Write".

### Display Procedure :

1. Turn the **[◀◀AMS▶▶]** knob to display "Iop Read"(C27).
2. "@@.@/##.#" is displayed and the recorded contents are displayed.  
@@.@ indicates the IOP value labeled on the pick-up.  
##.# indicates the IOP value after adjustment
3. To end, press the **[◀◀AMS▶▶]** button or **[MENU/NO]** button to display "Iop Read".

## 9. TEMPERATURE COMPENSATION OFFSET ADJUSTMENT

Save the temperature data at that time in the non-volatile memory as 25 °C reference data.

### Note :

1. Usually, do not perform this adjustment.
2. Perform this adjustment in an ambient temperature of 22 °C to 28 °C. Perform it immediately after the power is turned on when the internal temperature of the unit is the same as the ambient temperature of 22 °C to 28 °C.
3. When D101 has been replaced, perform this adjustment after the temperature of this part has become the ambient temperature.

### Adjusting Procedure :

1. Turn the **[◀◀AMS▶▶]** knob and display "TEMP ADJUS" (C09).
2. Press the **[YES]** button and select the "TEMP ADJUS" mode.
3. "TEMP = [ ] [OK]" and the current temperature data will be displayed.
4. To save the data, press the **[YES]** button.  
When not saving the data, press the **[MENU/NO]** button.
5. When the **[YES]** button is pressed, "TEMP = [ ] SAVE" will be displayed and turned back to "TEMP ADJUS" display then. When the **[MENU/NO]** button is pressed, "TEMP ADJUS" will be displayed immediately.

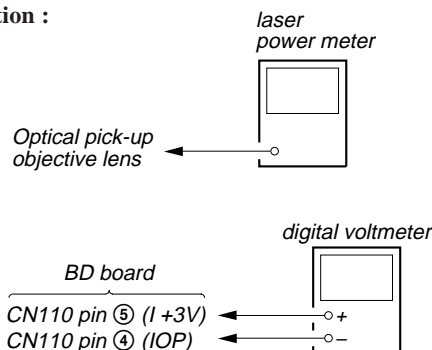
### Specified Value :

The "TEMP = [ ]" should be within "E0 - EF", "F0 - FF", "00 - 0F", "10 - 1F" and "20 - 2F".

## 10. LASER POWER ADJUSTMENT

Check the IOP value of the optical pick-up before adjustments. (Refer to 8. Recording and Displaying IOP Information)

### Connection :



### Adjusting Procedure :

1. Set the laser power meter on the objective lens of the optical pick-up. (When it cannot be set properly, press the **[◀]** button or **[▶]** button to move the optical pick-up.)  
Connect the digital volt meter to CN110 pin ⑤ (I+3V) and CN110 pin ④ (IOP).
2. Turn the **[◀◀AMS▶▶]** knob and display "LDPWR ADJUS" (C10).  
(Laser power : For adjustment)
3. Press the **[YES]** button once and display "LD 0.9 mW \$ [ ]".
4. Turn the **[◀◀AMS▶▶]** knob so that the reading of the laser power meter becomes 0.85 to 0.91 mW. Press the **[YES]** button after setting the range knob of the laser power meter, and save the adjustment results. ("LD SAVE \$ [ ]" will be displayed for a moment.)
5. Then "LD 7.0 mW \$ [ ]" will be displayed.
6. Turn the **[◀◀AMS▶▶]** knob so that the reading of the laser power meter becomes 6.9 to 7.1 mW, press the **[YES]** button and save it.

**Note:** Do not perform the emission with 7.0 mW more than 15 seconds continuously.

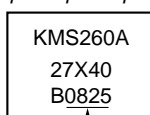
7. Then, turn the  $\llbracket \llcorner \llcorner \text{AMS} \triangleright \triangleright \rrbracket$  knob and display “LDPWR CHECK” (C02).
8. Press the  $\llbracket \text{YES} \rrbracket$  button once and display “LD 0.9 mW \$  $\square\square\square$ ”. Check that the reading of the laser power meter become 0.85 to 0.91 mW.
9. Press the  $\llbracket \text{YES} \rrbracket$  button once more and display “LD 7.0 mW \$  $\square\square\square$ ”. Check that the reading the laser power meter and digital volt meter satisfy the specified value.  
Note down the digital voltmeter reading value.

**Specification:**

Laser power meter reading:  $7.0 \pm 0.2$  mW

Digital voltmeter reading : Optical pick-up displayed value  $\pm 10\%$

(Optical pick-up label)



$IOP=82.5$  mA in this case

$$IOP \text{ (mA)} = \text{Digital voltmeter reading (mV)} / 1 \text{ (}\Omega\text{)}$$

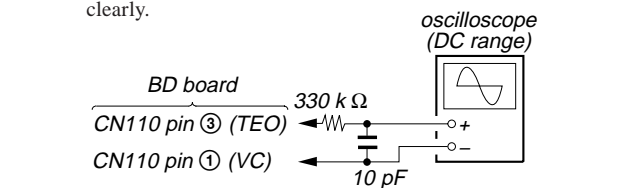
10. Press the  $\llbracket \text{MENU/NO} \rrbracket$  button and display “LDPWR CHECK” and stop the laser emission.  
(The  $\llbracket \text{MENU/NO} \rrbracket$  button is effective at all times to stop the laser emission.)
11. Turn the  $\llbracket \llcorner \llcorner \text{AMS} \triangleright \triangleright \rrbracket$  knob to display “Top Write”(C28).
12. Press the  $\llbracket \text{YES} \rrbracket$  button. When the display becomes Ref=@@.@ (@ is an arbitrary number), press the  $\llbracket \text{YES} \rrbracket$  button to display “Measu=@@.@.@” (@ is an arbitrary number).
13. The numbers which can be changed will blink. Input the Iop value noted down at step 9.  
To select the number : Turn the  $\llbracket \llcorner \llcorner \text{AMS} \triangleright \triangleright \rrbracket$  knob.  
To select the digit : Press the  $\llbracket \llcorner \llcorner \text{AMS} \triangleright \triangleright \rrbracket$  knob.
14. When the  $\llbracket \text{YES} \rrbracket$  button is pressed, “Complete!” will be displayed momentarily. The value will be recorded in the non-volatile memory and the display will become “Top Write”.

**Note 1:** After step 4, each time the  $\llbracket \text{YES} \rrbracket$  button is pressed, the display will be switched between “LD 0.7 mW \$  $\square\square\square$ ”, “LD 6.2 mW \$  $\square\square\square$ ”, and “LD Wp ホセ イ \$  $\square\square\square$ ”. Nothing needs to be performed here.

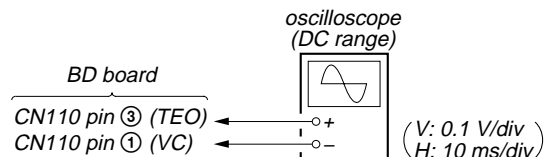
**11. TRAVERSE ADJUSTMENT**

**Note 1:**Data will be erased during MO reading if a recorded disc is used in this adjustment.

**Note 2:**If the traverse waveform is not clear, connect the oscilloscope as shown in the following figure so that it can be seen more clearly.



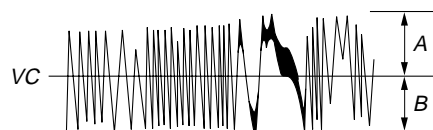
**Connection :**



**Adjusting Procedure :**

1. Connect an oscilloscope to CN110 pin ③ (TEO) and CN110 pin ① (VC) of the BD board.
2. Load a disc (any available on the market). (Refer to Note 1)
3. Press the  $\llbracket \blacktriangleright \rrbracket$  button and move the optical pick-up outside the pit.
4. Turn the  $\llbracket \llcorner \llcorner \text{AMS} \triangleright \triangleright \rrbracket$  knob and display “EF MO ADJUS” (C10).
5. Press the  $\llbracket \text{YES} \rrbracket$  button and display “EFB =  $\square\square$  MO-R”. (Laser power READ power/Focus servo ON/tracking servo OFF/spindle (S) servo ON)
6. Turn the  $\llbracket \llcorner \llcorner \text{AMS} \triangleright \triangleright \rrbracket$  knob so that the waveform of the oscilloscope becomes the specified value.  
(When the  $\llbracket \llcorner \llcorner \text{AMS} \triangleright \triangleright \rrbracket$  knob is turned, the  $\square\square$  of “EFB=  $\square\square$ ” changes and the waveform changes.) In this adjustment, waveform varies at intervals of approx. 2%. Adjust the waveform so that the specified value is satisfied as much as possible.  
(Read power traverse adjustment)

(Traverse Waveform)

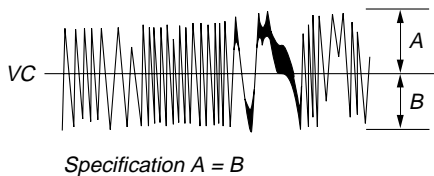


Specification A = B

7. Press the  $\llbracket \text{YES} \rrbracket$  button and save the result of adjustment to the non-volatile memory (“EFB =  $\square\square$  SAV” will be displayed for a moment. Then “EFB =  $\square\square$  MO-W” will be displayed).

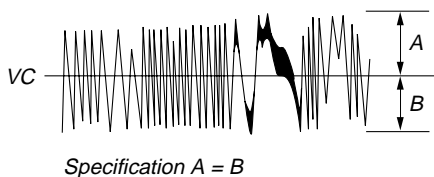
8. Turn the  $\llbracket \llcorner \text{AMS} \lrcorner \rrbracket$  knob so that the waveform of the oscilloscope becomes the specified value.  
(When the  $\llbracket \llcorner \text{AMS} \lrcorner \rrbracket$  knob is turned, the  $\llbracket \llcorner \text{EFB} \lrcorner \rrbracket$  changes and the waveform changes.) In this adjustment, waveform varies at intervals of approx. 2%. Adjust the waveform so that the specified value is satisfied as much as possible.  
(Write power traverse adjustment)

(Traverse Waveform)



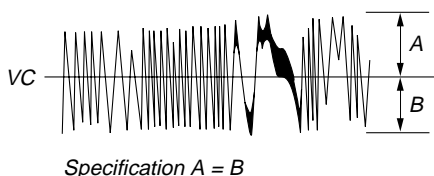
9. Press the  $\llbracket \text{YES} \rrbracket$  button, and save the adjustment results in the non-volatile memory. (“EFB =  $\llbracket \llcorner \text{SAV} \lrcorner \rrbracket$ ” will be displayed for a moment.)  
10. “EFB =  $\llbracket \llcorner \text{MO-P} \lrcorner \rrbracket$ ”. will be displayed.  
The optical pick-up moves to the pit area automatically and servo is imposed.  
11. Turn the  $\llbracket \llcorner \text{AMS} \lrcorner \rrbracket$  knob until the waveform of the oscilloscope moves closer to the specified value.  
In this adjustment, waveform varies at intervals of approx. 2%. Adjust the waveform so that the specified value is satisfied as much as possible.

(Traverse Waveform)



12. Press the  $\llbracket \text{YES} \rrbracket$  button, and save the adjustment results in the non-volatile memory. (“EFB =  $\llbracket \llcorner \text{SAV} \lrcorner \rrbracket$ ” will be displayed for a moment.)  
Next “EF MO ADJUS” is displayed. The disc stops rotating automatically.  
13. Press the  $\llbracket \text{EJECT} \rrbracket$  button and take out the disc.  
14. Load the check disc (MD) TDYS-1.  
15. Turn the  $\llbracket \llcorner \text{AMS} \lrcorner \rrbracket$  knob and display “EF CD ADJUS” (C12).  
16. Press the  $\llbracket \text{YES} \rrbracket$  button and display “EFB =  $\llbracket \llcorner \text{CD} \lrcorner \rrbracket$ ”. Servo is imposed automatically.  
17. Turn the  $\llbracket \llcorner \text{AMS} \lrcorner \rrbracket$  knob so that the waveform of the oscilloscope moves closer to the specified value.  
In this adjustment, waveform varies at intervals of approx. 2%. Adjust the waveform so that the specified value is satisfied as much as possible.

(Traverse Waveform)



18. Press the  $\llbracket \text{YES} \rrbracket$  button, display “EFB =  $\llbracket \llcorner \text{SAV} \lrcorner \rrbracket$ ” for a moment and save the adjustment results in the non-volatile memory.  
Next “EF CD ADJUS” will be displayed.  
19. Press the  $\llbracket \text{EJECT} \rrbracket$  button and take out the disc.

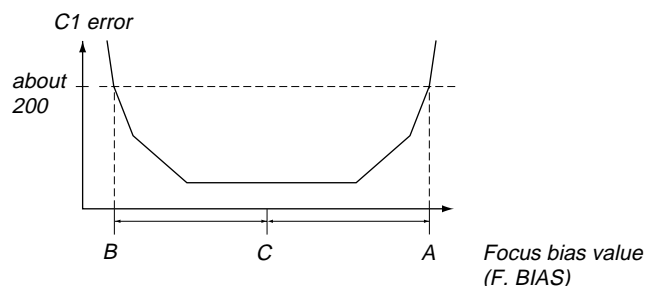
## 12. FOCUS BIAS ADJUSTMENT

### Adjusting Procedure :

1. Load the continuously-recorded disc. (Refer to “5. CREATING CONTINUOUSLY-RECORDED DISC”)
2. Turn the  $\llbracket \llcorner \text{AMS} \lrcorner \rrbracket$  knob and display “CPLAY MODE” (C29).
3. Press the  $\llbracket \text{YES} \rrbracket$  button and display “CPLAY MID”.
4. Press the  $\llbracket \text{MENU/NO} \rrbracket$  button when “C =  $\llbracket \llcorner \text{AD} \lrcorner \rrbracket$  =  $\llbracket \llcorner \rrbracket$ ” is displayed.
5. Turn the  $\llbracket \llcorner \text{AMS} \lrcorner \rrbracket$  knob and display “FBIAS ADJUS” (C13).
6. Press the  $\llbracket \text{YES} \rrbracket$  button and display “ $\llbracket \llcorner \text{a} \lrcorner \rrbracket$  =  $\llbracket \llcorner \rrbracket$ ”.  
The first four digits indicate the C1 error rate, the two digits after [ / ] indicate ADER, and the 2 digits after [ a = ] indicate the focus bias value.
7. Turn the  $\llbracket \llcorner \text{AMS} \lrcorner \rrbracket$  knob in the clockwise direction and find the focus bias value at which the C1 error rate becomes about 200 (Refer to Note 2).
8. Press the  $\llbracket \text{YES} \rrbracket$  button and display “ $\llbracket \llcorner \text{b} \lrcorner \rrbracket$  =  $\llbracket \llcorner \rrbracket$ ”.
9. Turn the  $\llbracket \llcorner \text{AMS} \lrcorner \rrbracket$  knob in the counterclockwise direction and find the focus bias value at which the C1 error rate becomes about 200.
10. Press the  $\llbracket \text{YES} \rrbracket$  button and display “ $\llbracket \llcorner \text{c} \lrcorner \rrbracket$  =  $\llbracket \llcorner \rrbracket$ ”.
11. Check that the C1 error rate is below 50 and ADER is 00. Then press the  $\llbracket \text{YES} \rrbracket$  button.
12. If the “ $\llbracket \llcorner \rrbracket$ ” in “ $\llbracket \llcorner \text{b} \lrcorner \rrbracket$  -  $\llbracket \llcorner \text{a} \lrcorner \rrbracket$  -  $\llbracket \llcorner \text{c} \lrcorner \rrbracket$ ” is above 20, press the  $\llbracket \text{YES} \rrbracket$  button.  
If below 20, press the  $\llbracket \text{MENU/NO} \rrbracket$  button and repeat the adjustment from step 2.
13. Press the  $\llbracket \text{EJECT} \rrbracket$  button and take out the disc.

**Note 1:** The relation between the C1 error and focus bias is as shown in the following figure. Find points A and B in the following figure using the above adjustment. The focal point position C is automatically calculated from points A and B.

**Note 2:** As the C1 error rate changes, perform the adjustment using the average value.



## 13.ERROR RATE CHECK

### 13-1. CD Error Rate Check

#### Checking Procedure :

1. Load the check disc (MD) TDYS-1.
2. Turn the [◀◀AMS▶▶] knob and display “CPLAY MODE” (C30).
3. Press the [YES] button twice and display “CPLAY MID”.
4. The display changes to “C = [ ] AD = [ ]”.
5. Check that the C1 error rate is below 20.
6. Press the [MENU/NO] button, stop playback, press the [EJECT] button and take out the check disc.

### 13-2. MO Error Rate Check

#### Checking Procedure :

1. Load the test disc (MDW-74/AU-1).
2. Turn the [◀◀AMS▶▶] knob and display “CPLAY MODE” (C30).
3. Press the [YES] button and display “CPLAY MID”.
4. The display changes to “C1 = [ ] AD = [ ]”.
5. If the C1 error rate is below 50, check that ADER is 00.
6. Press the [MENU/NO] button, stop playback, press the [EJECT] button and take out the test disc.

## 14. FOCUS BIAS CHECK

Change the focus bias and check the focus tolerance amount.

#### Checking Procedure :

1. Load the continuously-recorded disc. (Refer to “5. CREATING CONTINUOUSLY-RECORDED DISC”)
2. Turn the [◀◀AMS▶▶] knob and display “CPLAY MODE” (C30).
3. Press the [YES] button twice and display “CPLAY MID”.
4. Press the [MENU/NO] button when “C = [ ] AD = [ ]” is displayed.
5. Turn the [◀◀AMS▶▶] knob and display “FBIAS CHECK” (C05).
6. Press the [YES] button and display “[ ]/[ ] c = [ ]”.  
The first four digits indicate the C1 error rate, the two digits after [ / ] indicate ADER, and the 2 digits after [ c = ] indicate the focus bias value.  
Check that the C1 error is below 50 and ADER is below 2.
7. Press the [YES] button and display “[ ]/[ ] b = [ ]”.  
Check that the C1 error is about 200 and ADER is below 2.
8. Press the [YES] button and display “[ ]/[ ] a = [ ]”.  
Check that the C1 error is about 200 and ADER is below 2.
9. Press the [MENU/NO] button, next press the [EJECT] button and take out the disc.

**Note 1:** If the C1 error and ADER are above other than the specified value at points a (step 8. in the above) or b (step 7. in the above), the focus bias adjustment may not have been carried out properly. Adjust perform the beginning again.

## 15. AUTO GAIN CONTROL OUTPUT LEVEL ADJUSTMENT

Be sure to perform this adjustment when the pickup is replaced. If the adjustment results becomes “Adjust NG!”, the pickup may be faulty or the servo system circuits may be abnormal.

### 15-1. CD Auto Gain Control Output Level Adjustment

#### Adjusting Procedure :

1. Insert the check disc (MD) TDYS-1.
2. Turn the [◀◀AMS▶▶] knob to display “AG Set (CD)” (C26).
3. When the [YES] button is pressed, the adjustment will be performed automatically.  
“Complete!!” will then be displayed momentarily when the value is recorded in the non-volatile memory, after which the display changes to “AG Set (CD)”.
4. Press the [EJECT] button and take out the check disc.

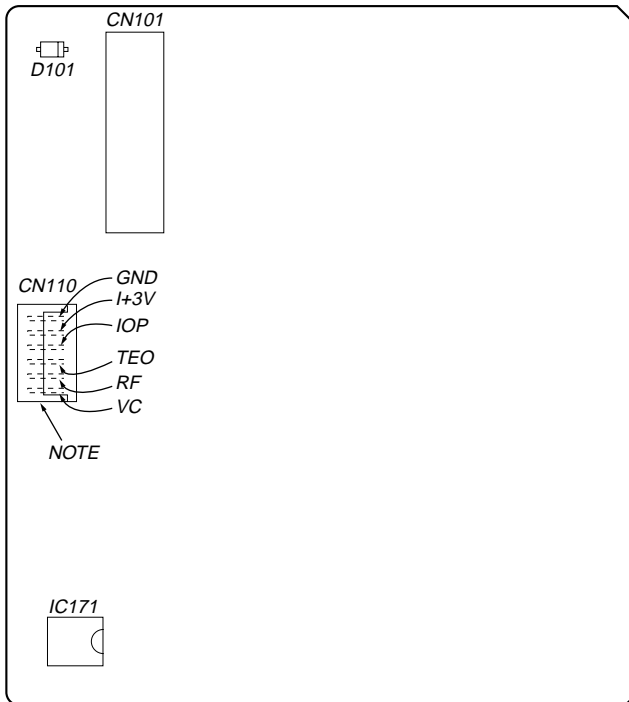
### 15-2. MO Auto Gain Control Output Level Adjustment

#### Adjusting Procedure :

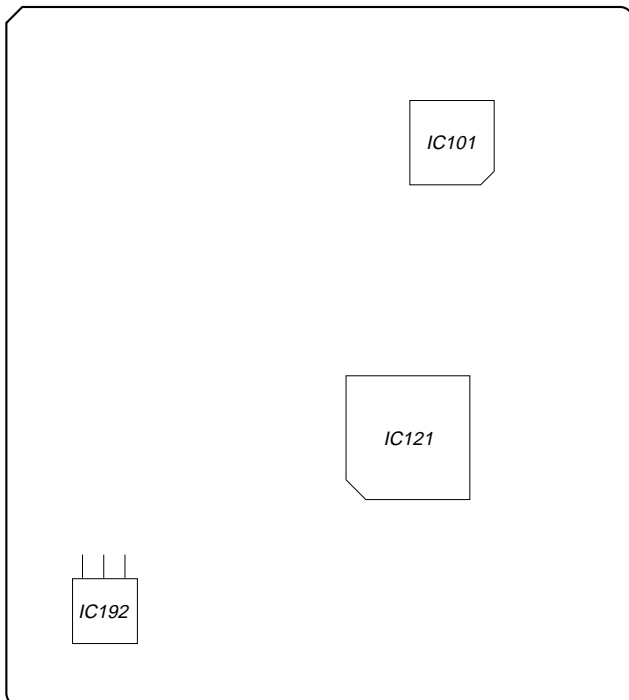
1. Insert the test disc (MDW-74/AU-1) for recording.
2. Turn the [◀◀AMS▶▶] knob to display “AG Set (MO)” (C25).
3. When the [YES] button is pressed, the adjustment will be performed automatically.  
“Complete!!” will then be displayed momentarily when the value is recorded in the non-volatile memory, after which the display changes to “AG Set (MO)”.
4. Press the [EJECT] button and take out the test disc.

**Adjustment Location:**

– **BD BOARD** (Side A) –



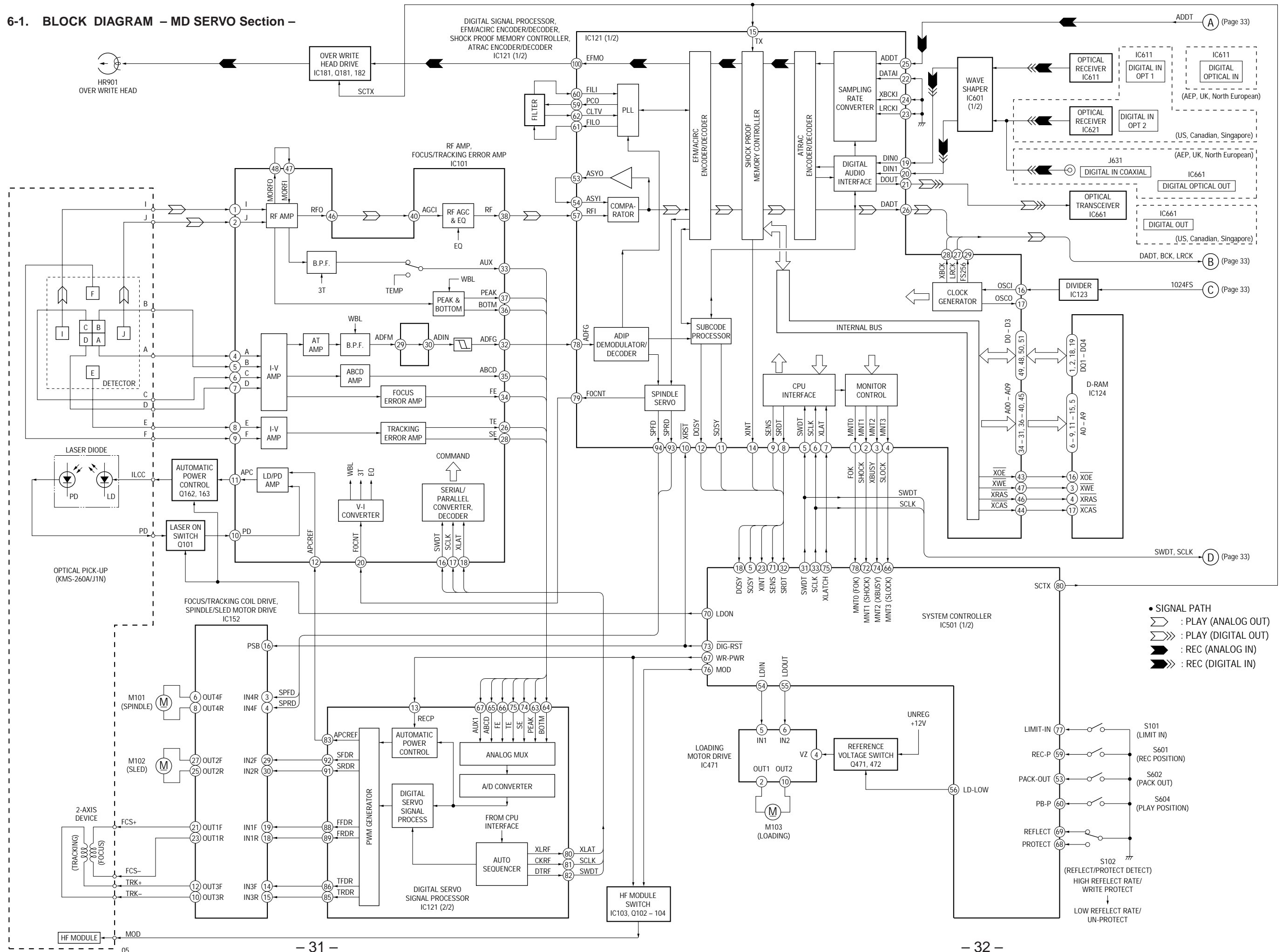
– **BD BOARD** (Side B) –



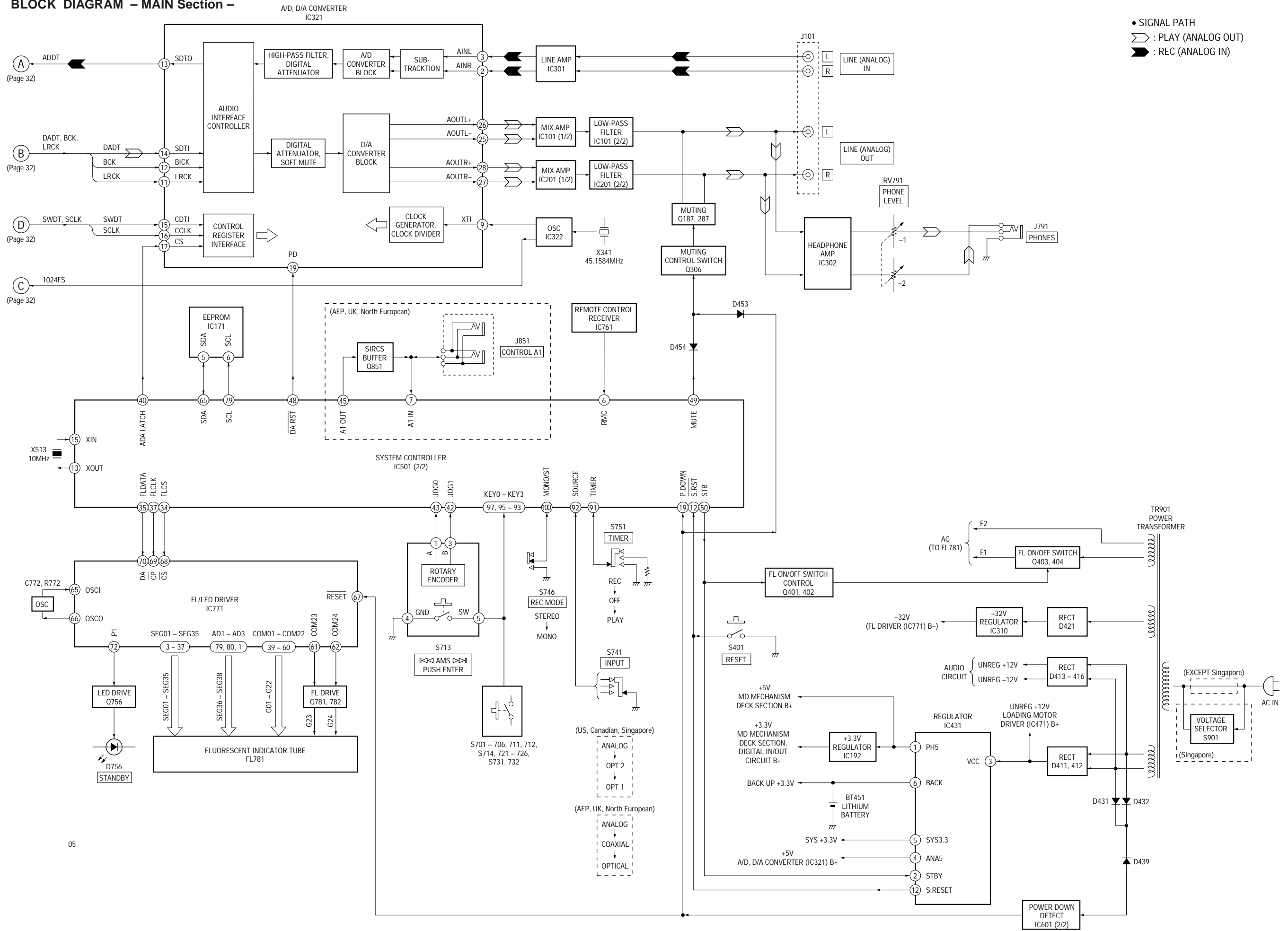
**Note:** It is useful to use the jig. for checking the waveform. (Refer to Servicing Notes on page 6)

SECTION 6  
DIAGRAMS

6-1. BLOCK DIAGRAM - MD SERVO Section -



6-2. BLOCK DIAGRAM – MAIN Section –



• SIGNAL PATH  
 ◁ ▷ : PLAY (ANALOG OUT)  
 ◁ ▷ : REC (ANALOG IN)



### 6-3. NOTE FOR PRINTED WIRING BOARDS AND SCHEMATIC DIAGRAMS

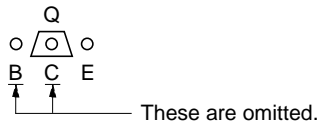
#### Note on Printed Wiring Board:

- — : parts extracted from the component side.
- : parts extracted from the conductor side.
- : parts mounted on the conductor side.
- : Through hole.
- ▒ : Pattern from the side which enables seeing.

#### Caution:

Pattern face side:	Parts on the pattern face side seen from the pattern face are indicated.
Parts face side:	Parts on the parts face side seen from the parts face are indicated.

- Indication of transistor.



- Abbreviation

CND : Canadian model  
 SP : Singapore model

#### Note on Schematic Diagram:

- All capacitors are in  $\mu\text{F}$  unless otherwise noted. pF:  $\mu\mu\text{F}$  50 WV or less are not indicated except for electrolytics and tantalums.
- All resistors are in  $\Omega$  and  $1/4\text{ W}$  or less unless otherwise specified.
- % : indicates tolerance.
- $\Delta$  : internal component.
- ◻ : panel designation.

#### Note:

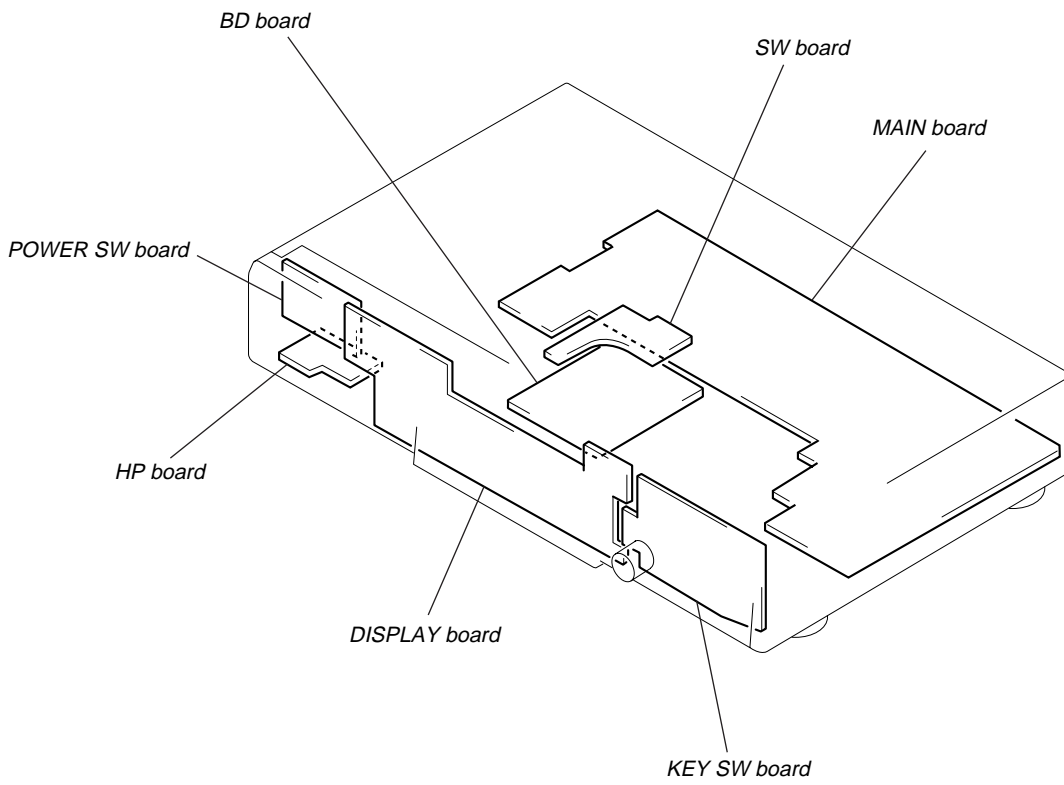
The components identified by mark  $\Delta$  or dotted line with mark  $\Delta$  are critical for safety. Replace only with part number specified.

#### Note:

Les composants identifiés par une marque  $\Delta$  sont critiques pour la sécurité. Ne les remplacer que par une pièce portant le numéro spécifié.

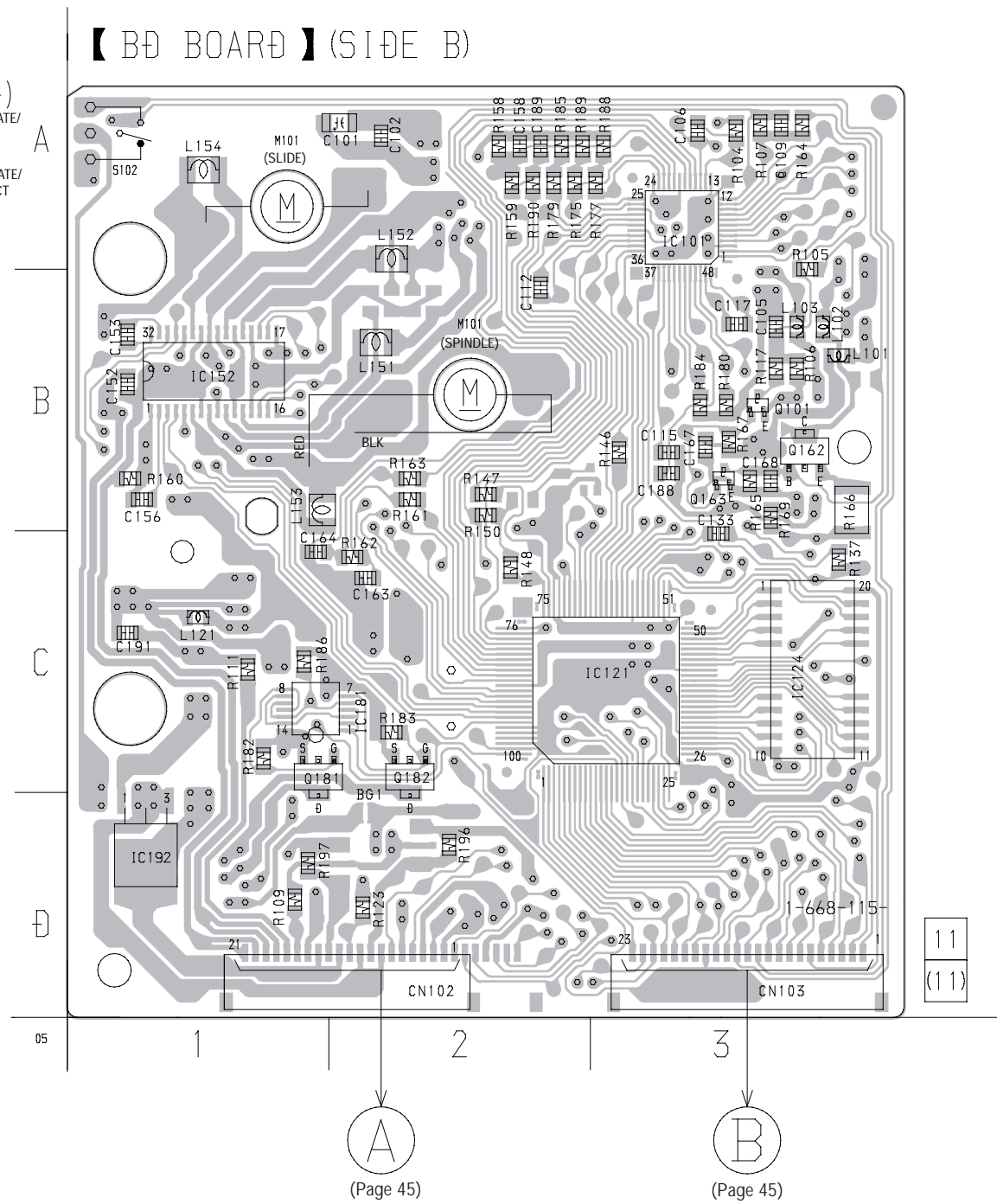
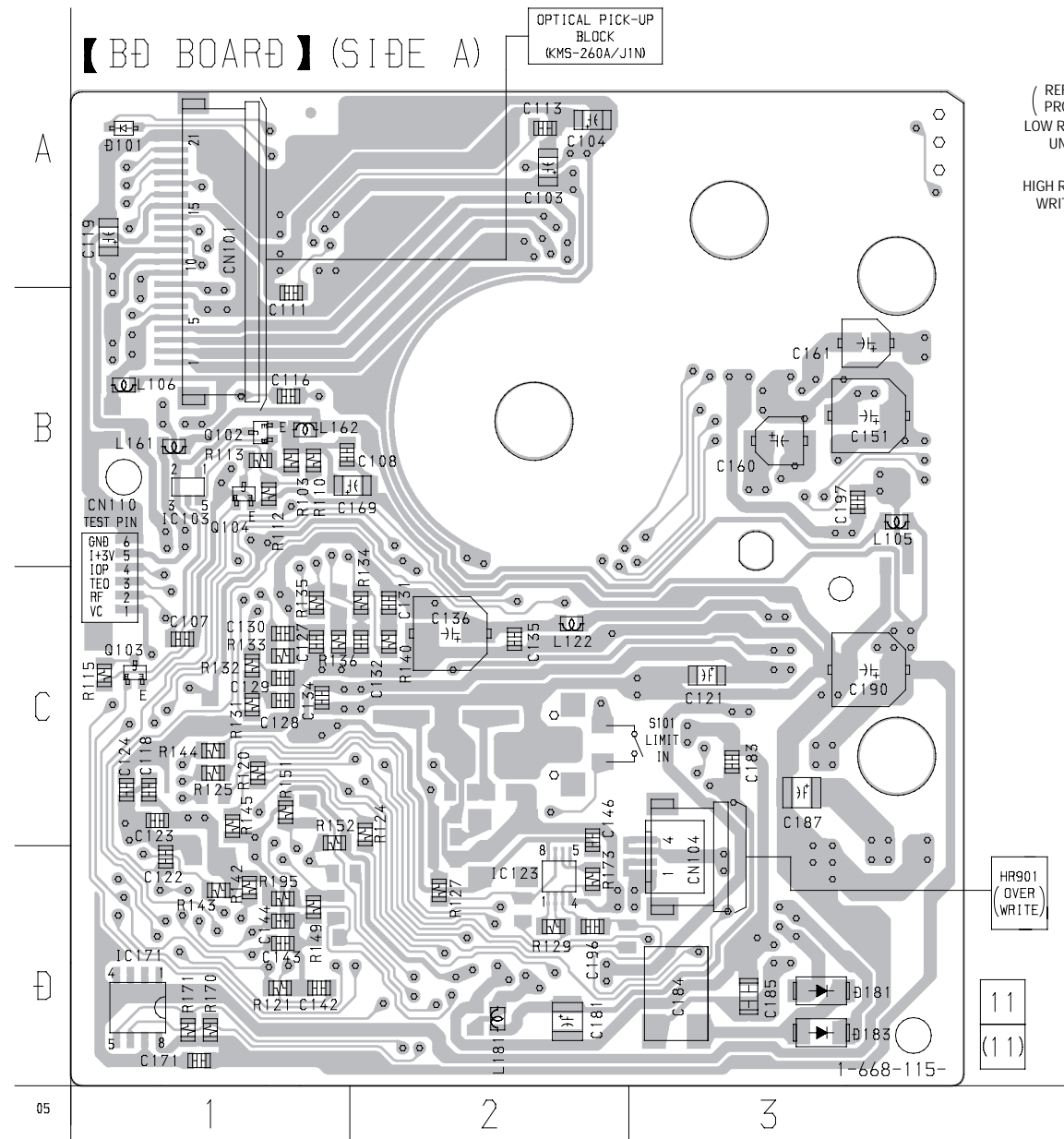
- ◻+ : B+ Line.
- ◻- : B- Line.
- Voltages are taken with a VOM (Input impedance 10 M $\Omega$ ). Voltage variations may be noted due to normal production tolerances.
- Waveforms are taken with a oscilloscope. Voltage variations may be noted due to normal production tolerances.
- Circled numbers refer to waveforms.
- Signal path.
  - ◻ : PLAY (ANALOG OUT)
  - ◻◻◻ : PLAY (DIGITAL OUT)
  - ◻◻ : REC (ANALOG IN)
  - ◻◻◻ : REC (DIGITAL IN)
- Abbreviation
  - CND : Canadian model
  - SP : Singapore model

• **Circuit Boards Location**



6-4. PRINTED WIRING BOARD – BD Board –

• See page 36 for Circuit Boards Location.



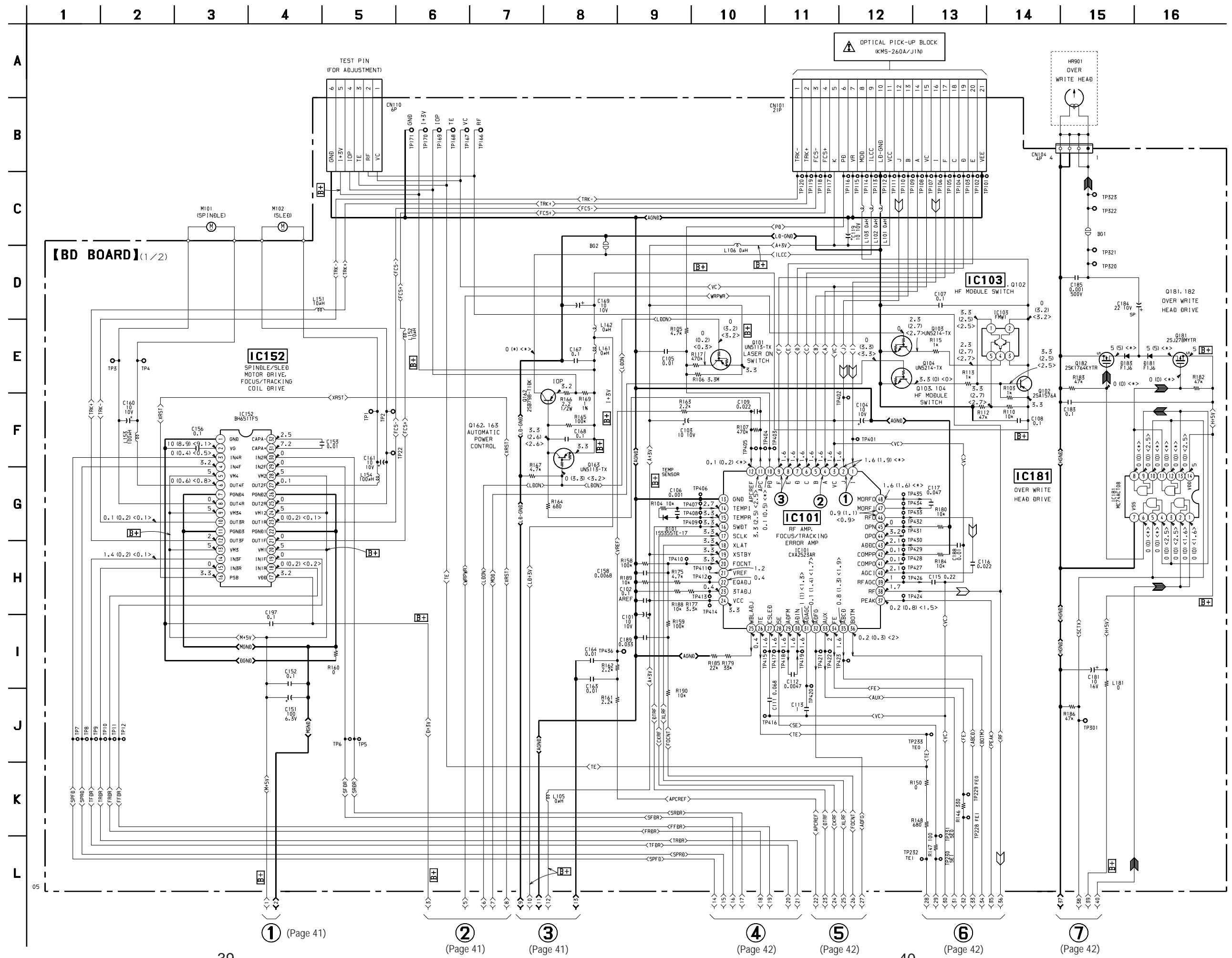
• Semiconductor Location

Ref. No.	Location
D101	A-1
D181	D-3
D183	D-3
IC103	B-1
IC123	D-2
IC171	D-1
Q102	B-1
Q103	C-1
Q104	B-1

• Semiconductor Location

Ref. No.	Location
IC101	A-3
IC121	C-3
IC124	C-3
IC152	B-1
IC181	C-1
IC192	D-1
Q101	B-3
Q162	B-3
Q163	B-3
Q181	C-1
Q182	C-2

6-5. SCHEMATIC DIAGRAM – BD Board (1/2) – • See page 43 for Waveforms. • See page 55 for IC Block Diagrams.



① (Page 41)

② (Page 41)

③ (Page 41)

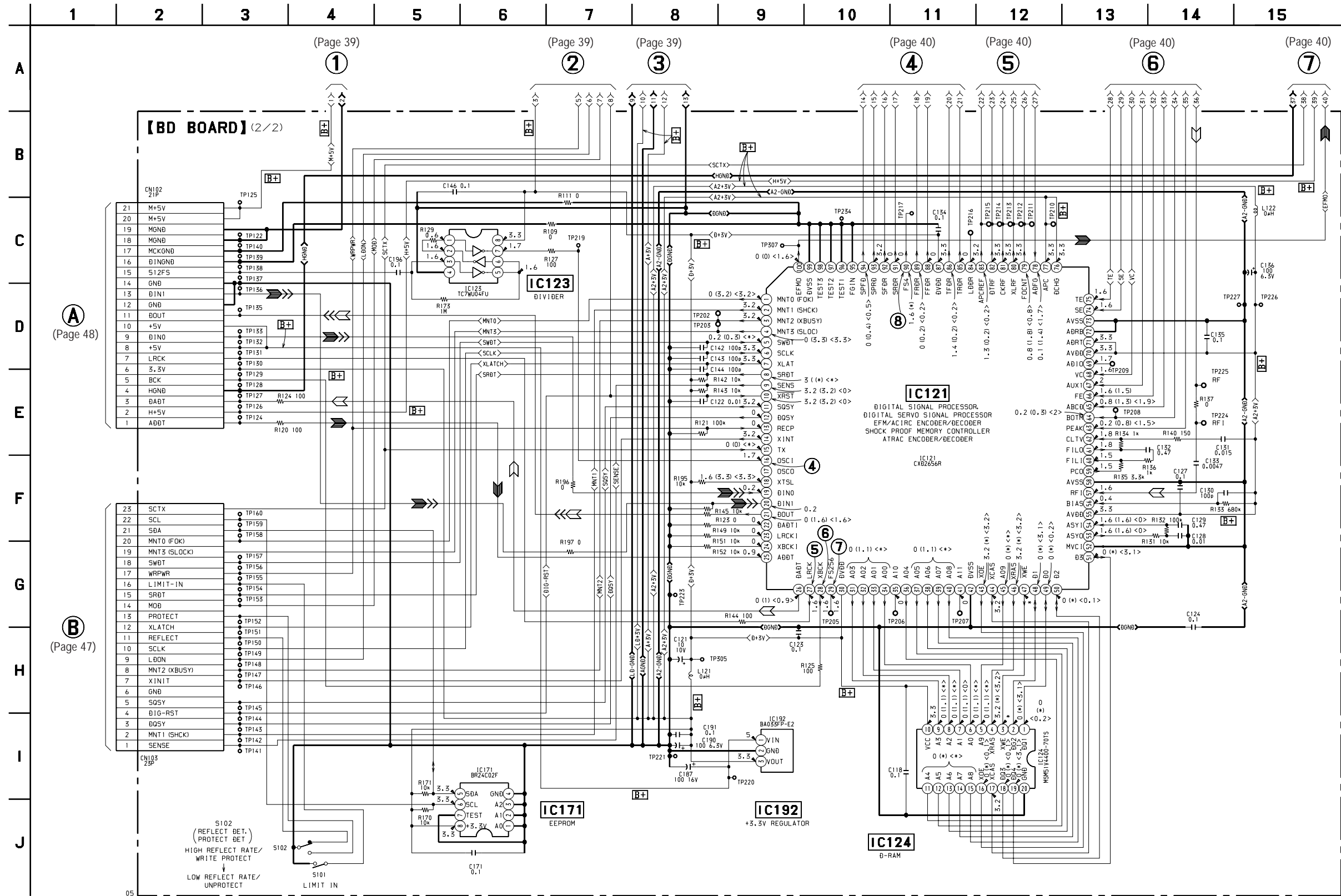
④ (Page 42)

⑤ (Page 42)

⑥ (Page 42)

⑦ (Page 42)

6-6. SCHEMATIC DIAGRAM – BD Board (2/2) – • See page 43 for Waveforms. • See page 55 for IC Block Diagrams.



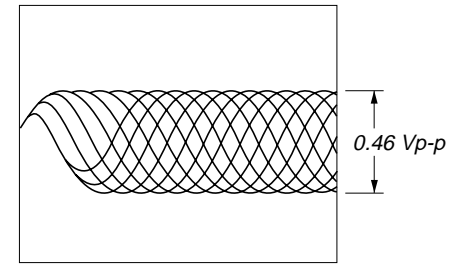
- Voltages and waveforms are dc with respect to ground under no-signal conditions.
- no mark : STOP
- ( ) : PLAY
- < > : REC
- \* : Impossible to measure

The components identified by mark  $\Delta$  or dotted line with mark  $\Delta$  are critical for safety. Replace only with part number specified.

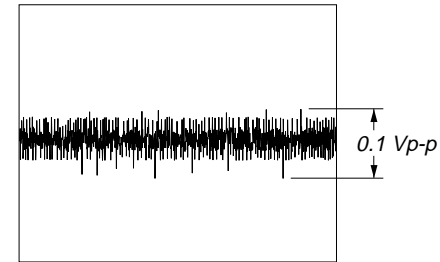
Les composants identifiés par une marque  $\Delta$  sont critiques pour la sécurité. Ne les remplacer que par une pièce portant le numéro spécifié.

• Waveforms  
– BD Board –

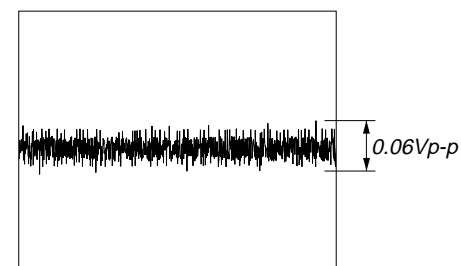
1 IC101 ①, ② (I, J) (Play mode)



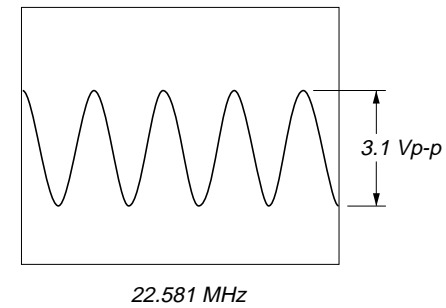
2 IC101 ④ (A) (Play mode)



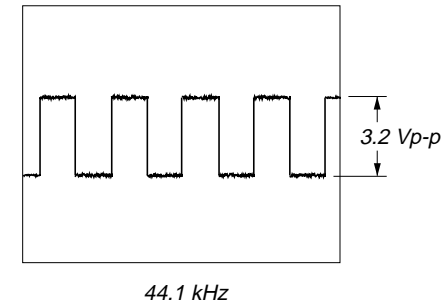
3 IC101 ⑧, ⑨ (E, F) (Play mode)



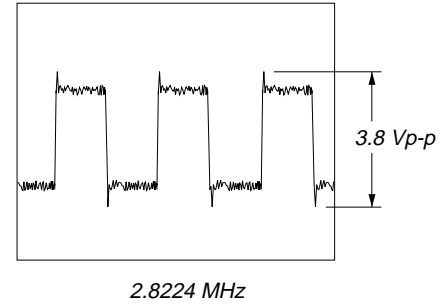
4 IC121 ⑩ (OSCI)



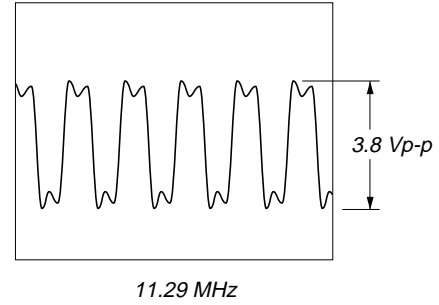
5 IC121 ⑰ (LRCK)



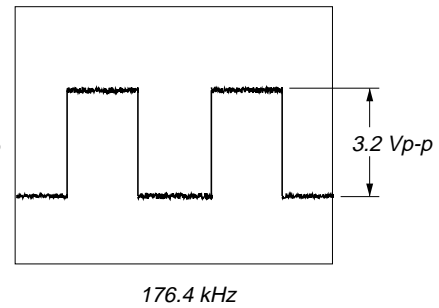
6 IC121 ⑳ (XBCK)



7 IC121 ㉑ (FS256)

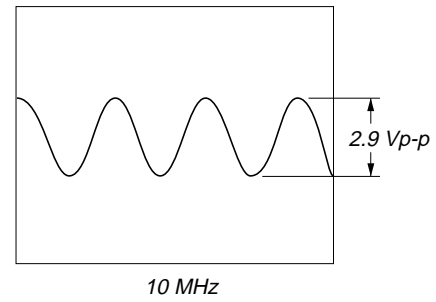


8 IC121 ㉒ (FS4)

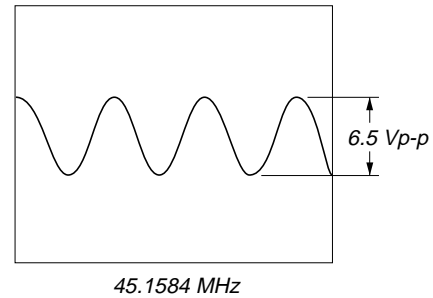


– MAIN Board –

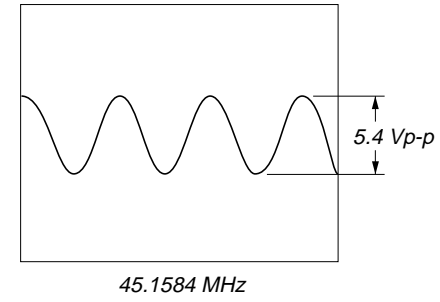
1 IC501 ⑮ (XIN)



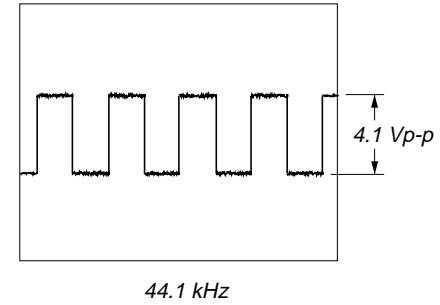
2 IC322 ②, ③, ⑤



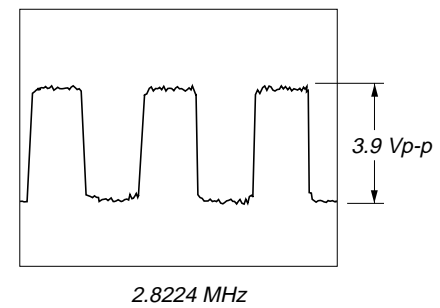
3 IC321 ⑨ (XTI)



4 IC321 ⑩ (LRCK)

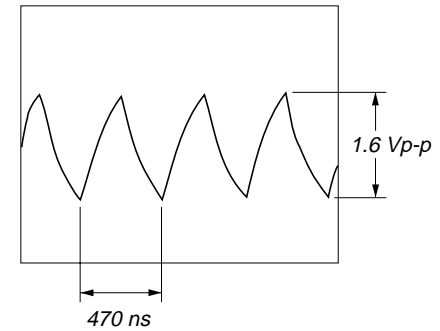


5 IC321 ⑫ (BICK)

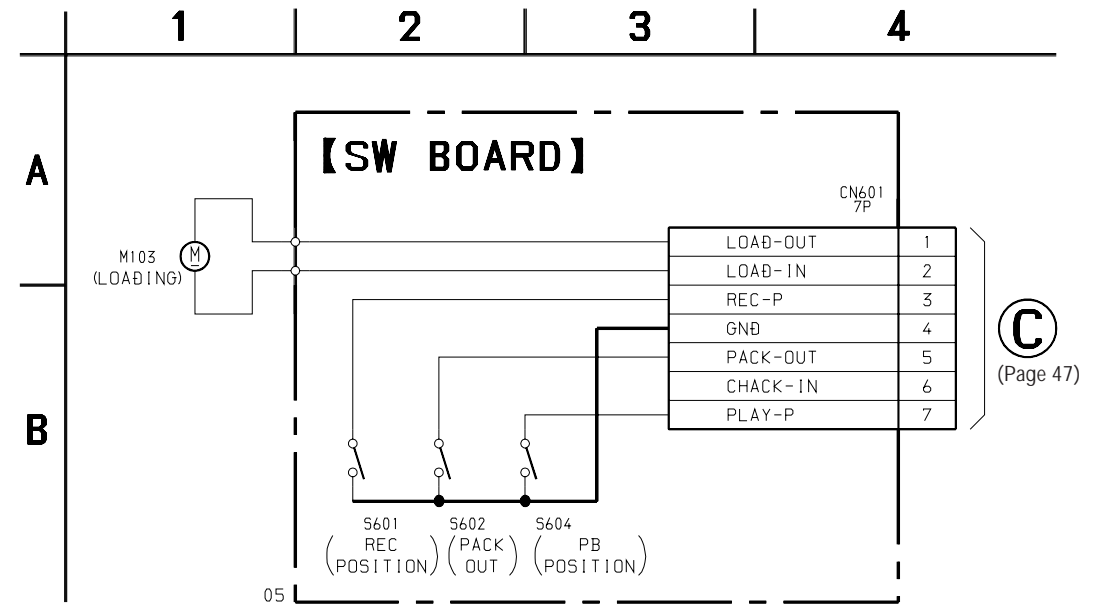


– DISPLAY Board –

1 IC711 ⑥ (OSCI)

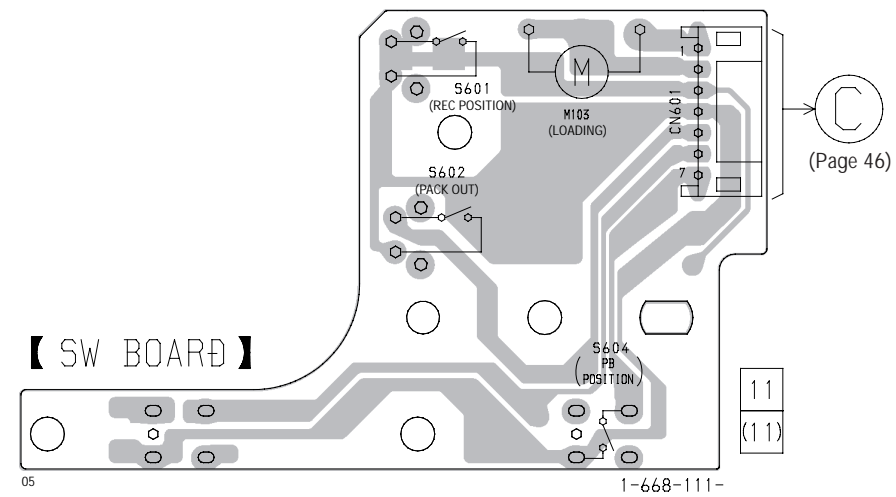


6-7. SCHEMATIC DIAGRAM – SW Board –



6-8. PRINTED WIRING BOARD – SW Board –

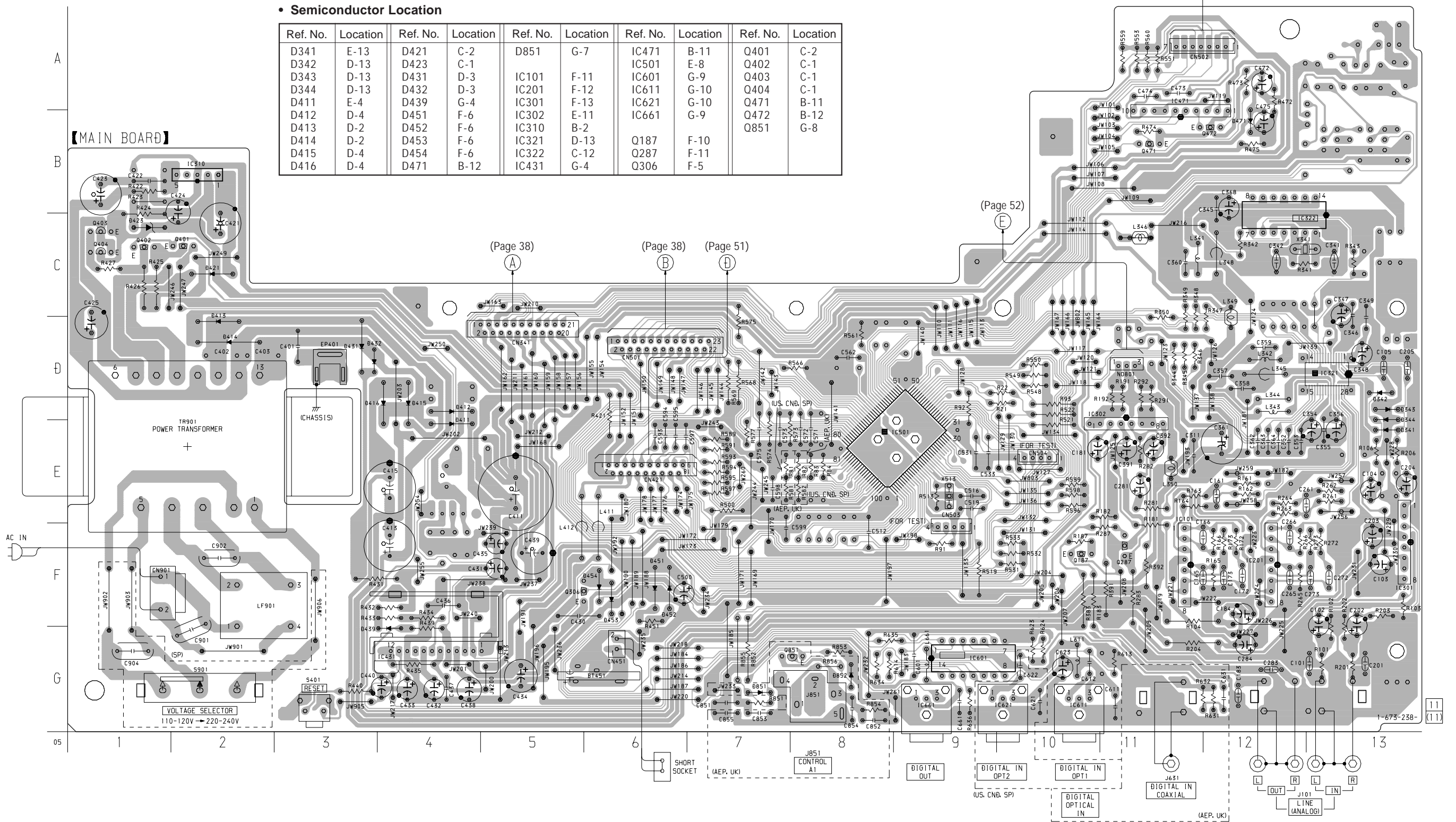
• See page 36 for Circuit Boards Location.



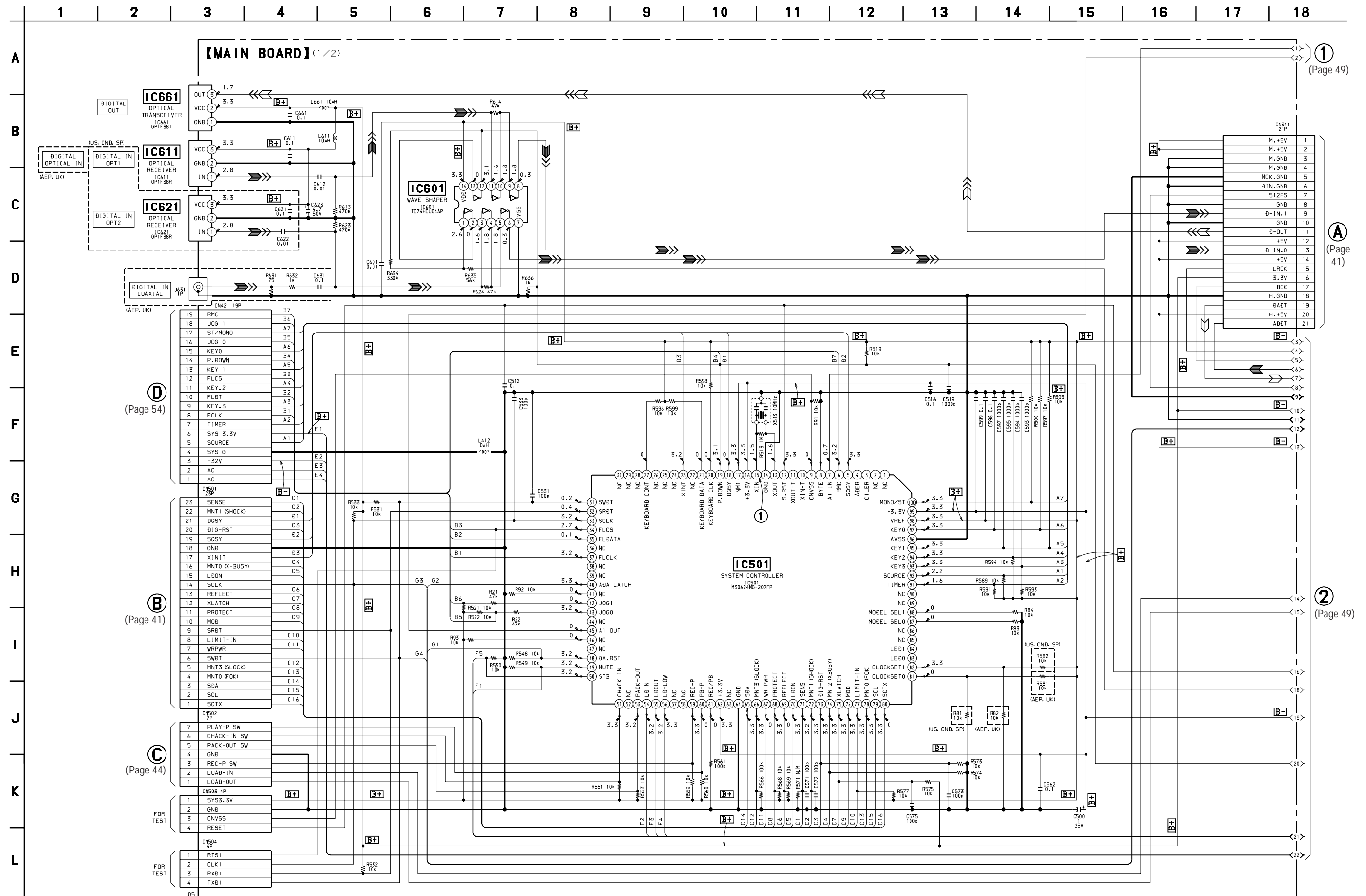
6-9. PRINTED WIRING BOARD – MAIN Board – • See page 36 for Circuit Boards Location.

• Semiconductor Location

Ref. No.	Location	Ref. No.	Location	Ref. No.	Location	Ref. No.	Location	Ref. No.	Location
D341	E-13	D421	C-2	D851	G-7	IC471	B-11	Q401	C-2
D342	D-13	D423	C-1			IC501	E-8	Q402	C-1
D343	D-13	D431	D-3	IC101	F-11	IC601	G-9	Q403	C-1
D344	D-13	D432	D-3	IC201	F-12	IC611	G-10	Q404	C-1
D411	E-4	D439	G-4	IC301	F-13	IC621	G-10	Q471	B-11
D412	D-4	D451	F-6	IC302	E-11	IC661	G-9	Q472	B-12
D413	D-2	D452	F-6	IC310	B-2			Q851	G-8
D414	D-2	D453	F-6	IC321	D-13	Q187	F-10		
D415	D-4	D454	F-6	IC322	C-12	Q287	F-11		
D416	D-4	D471	B-12	IC431	G-4	Q306	F-5		



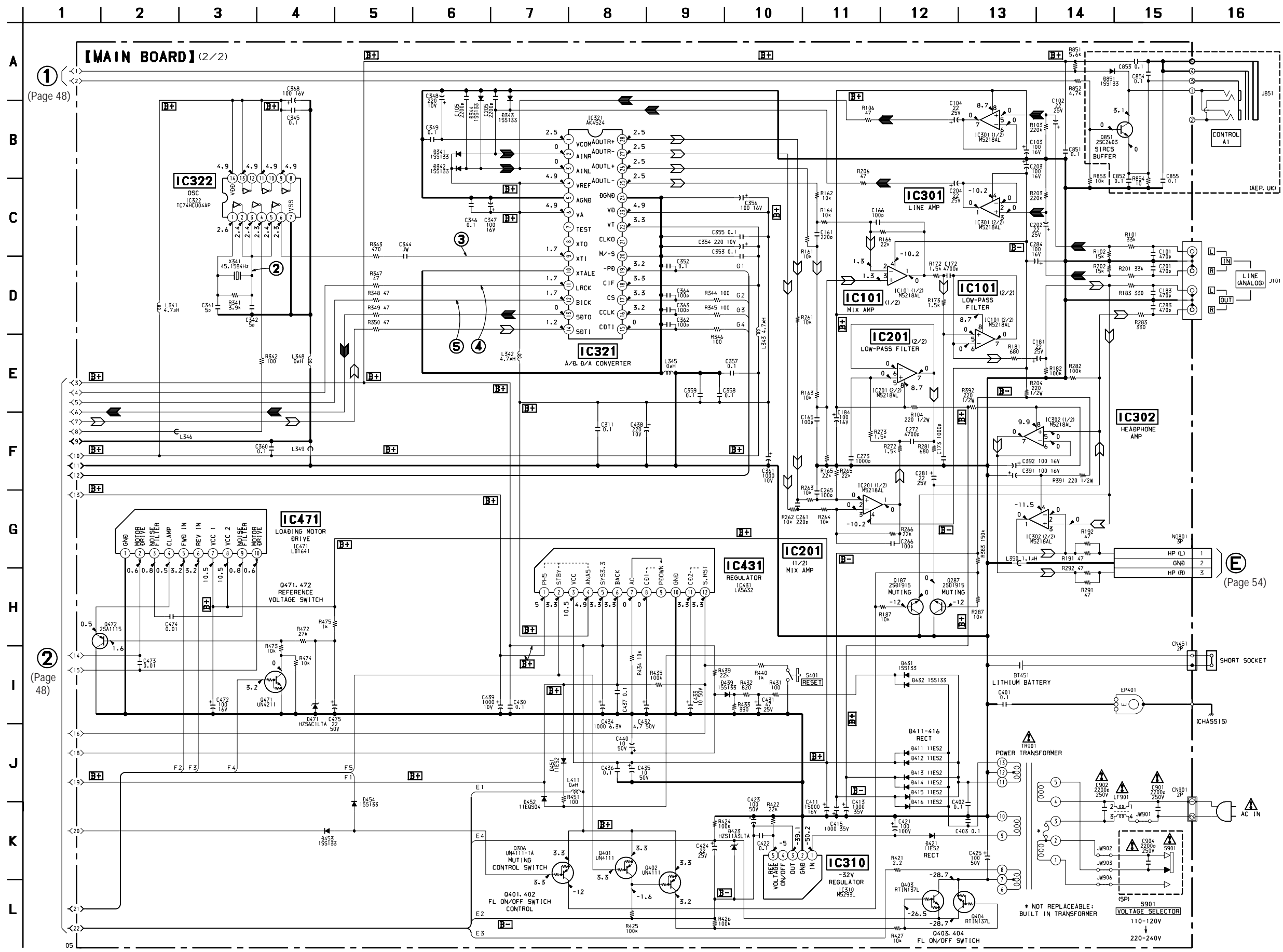
6-10. SCHEMATIC DIAGRAM – MAIN Board (1/2) – • See page 43 for Waveforms.



• Voltages and waveforms are dc with respect to ground under no-signal conditions.  
 no mark : PLAY



6-11. SCHEMATIC DIAGRAM – MAIN Board (2/2) – • See page 43 for Waveforms. • See page 57 for IC Block Diagrams.

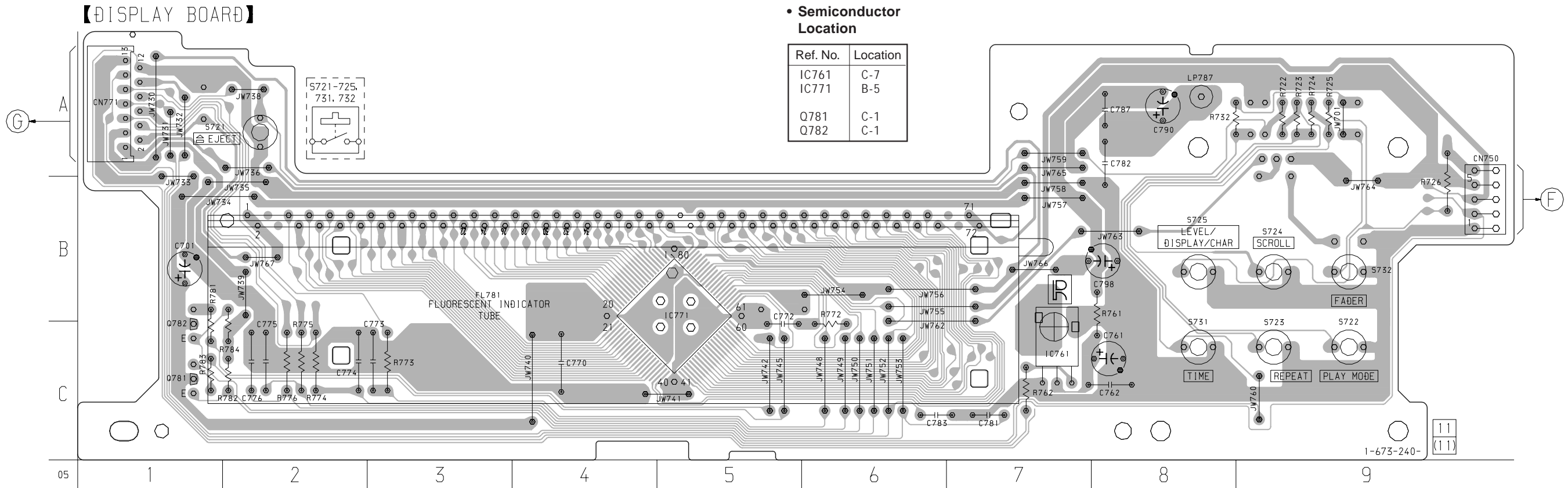


• Voltages and waveforms are dc with respect to ground under no-signal conditions.  
no mark : PLAY

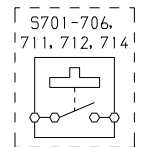
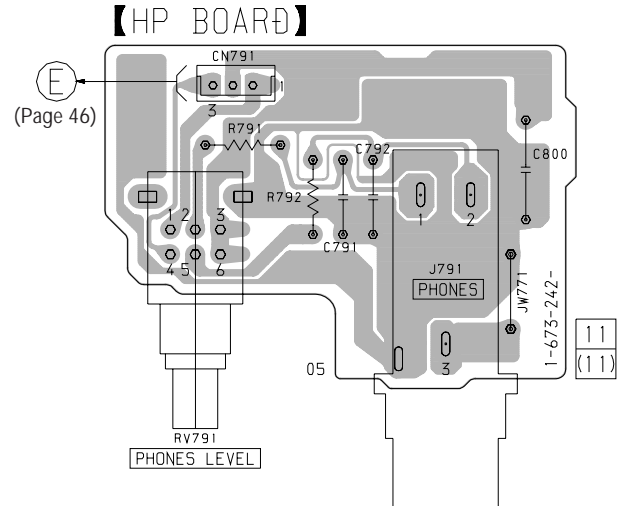
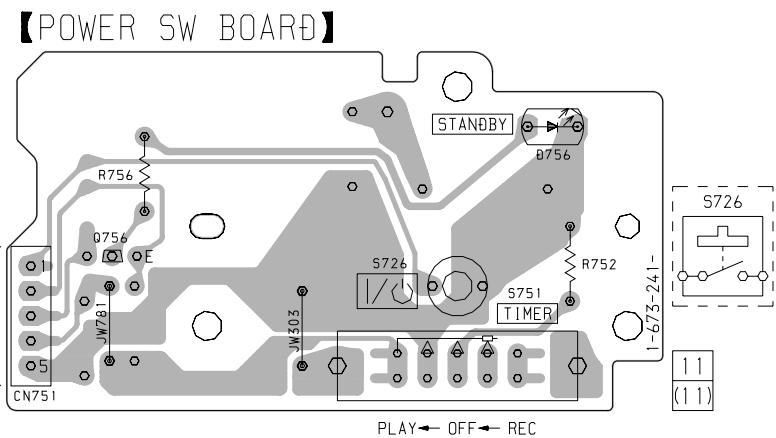
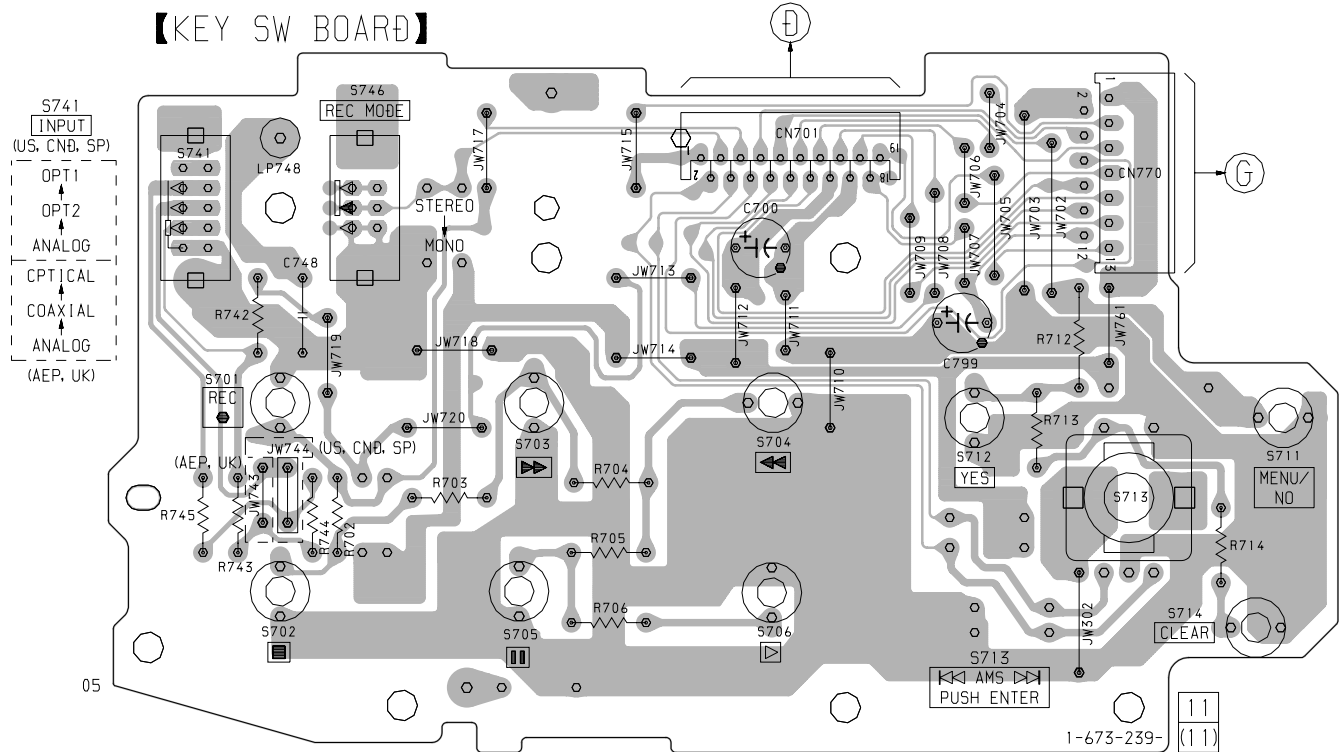
The components identified by mark  $\Delta$  or dotted line with mark  $\Delta$  are critical for safety. Replace only with part number specified.

Les composants identifiés par une marque  $\Delta$  sont critiques pour la sécurité. Ne les remplacer que par une pièce portant le numéro spécifié.

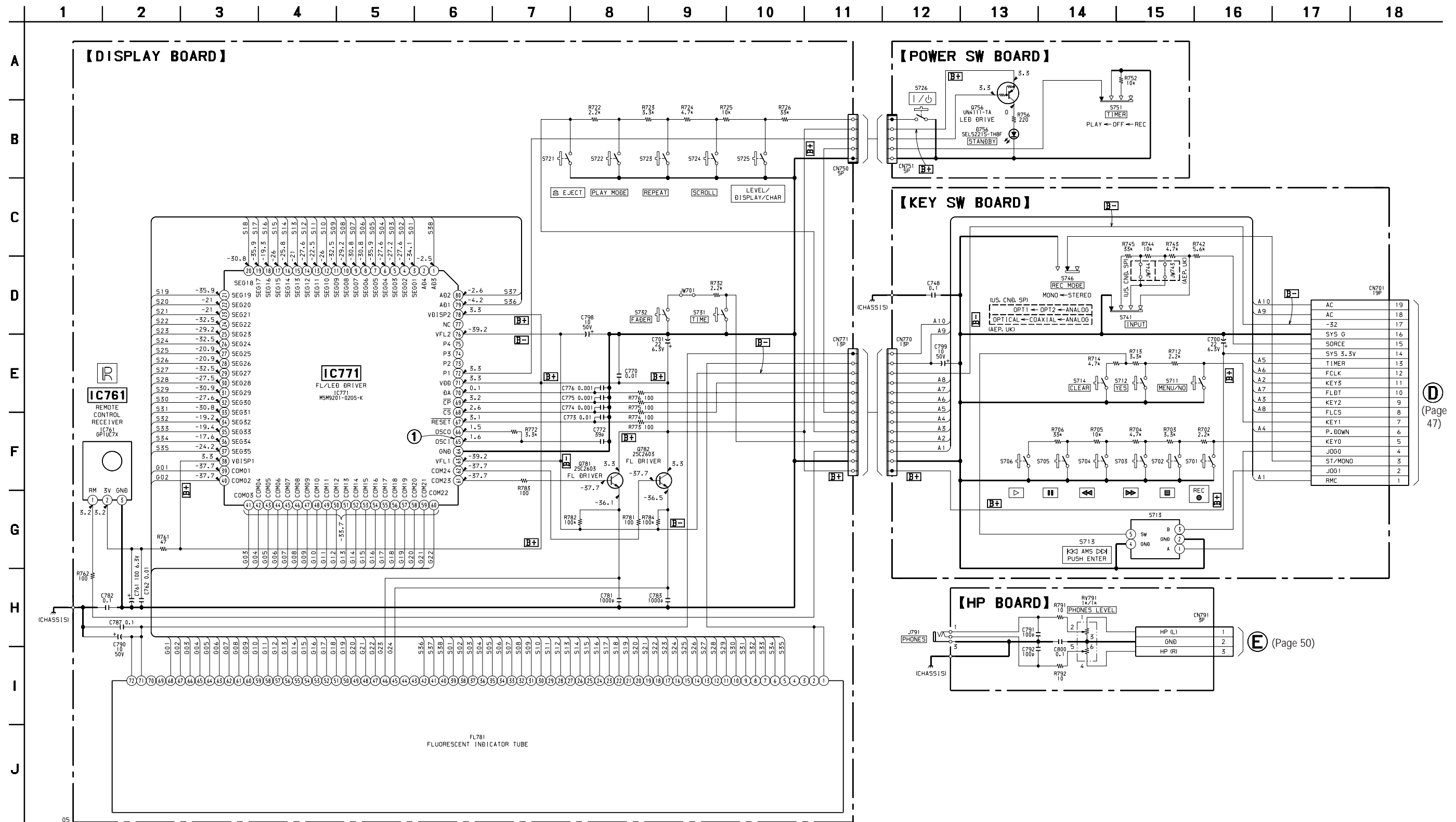
6-12. PRINTED WIRING BOARDS – PANEL Section – • See page 36 for Circuit Boards Location.



(Page 45)



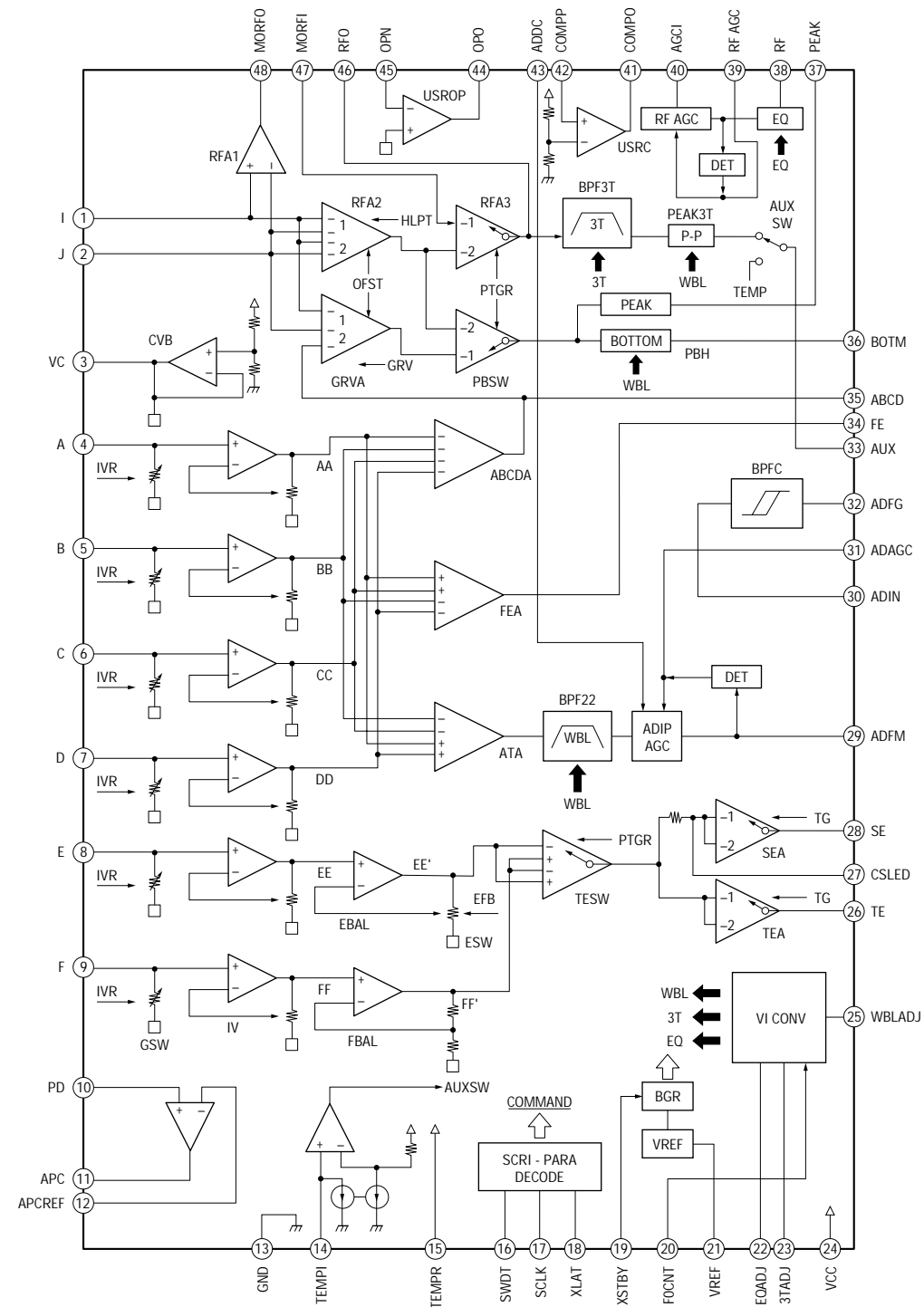
6-13. SCHEMATIC DIAGRAM – PANEL Section – • See page 43 for Waveform.



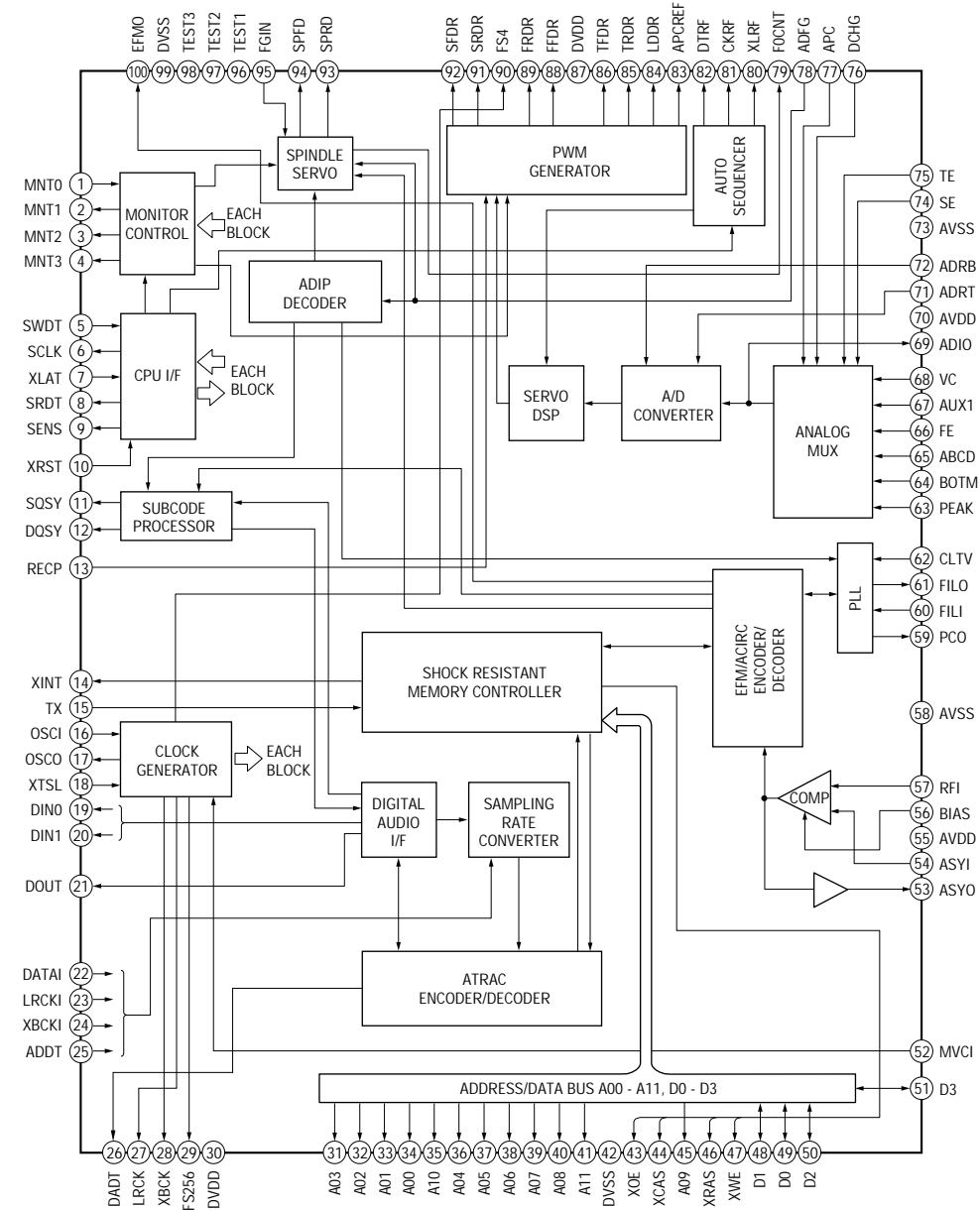
• Voltages and waveforms are dc with respect to ground under no-signal conditions.  
 no mark : STOP

• IC Block Diagrams  
- BD Board -

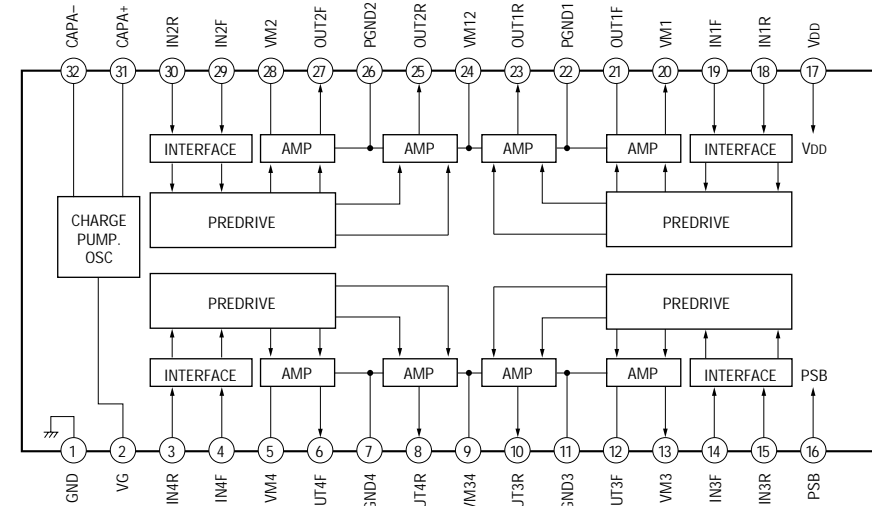
IC101 CXA2523AR



IC121 CXD2656R

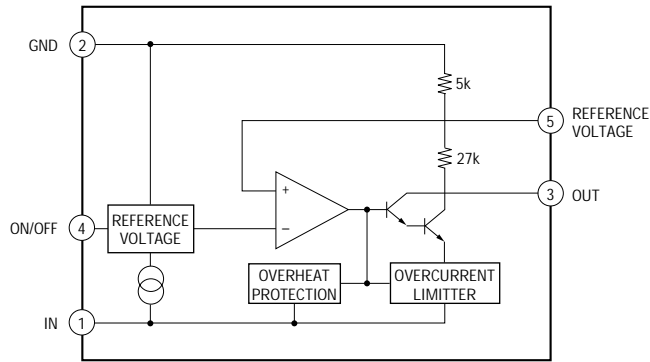


IC152 BH6511FS

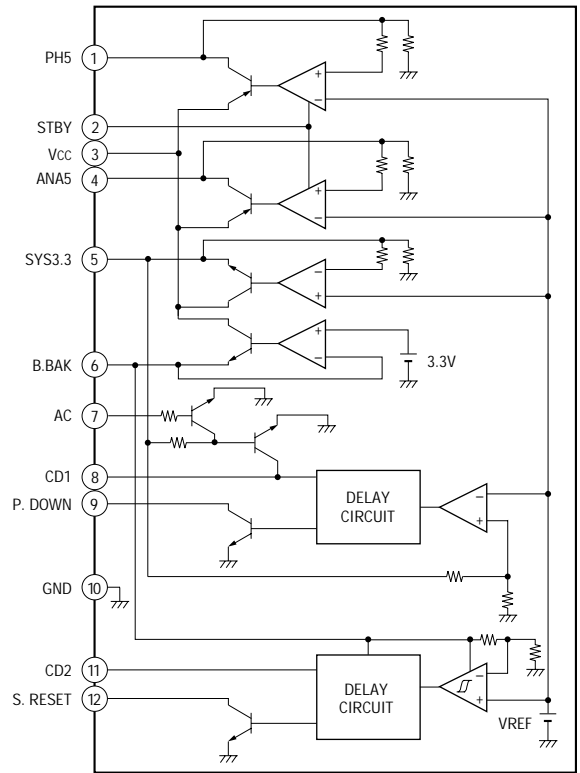


– MAIN Board –

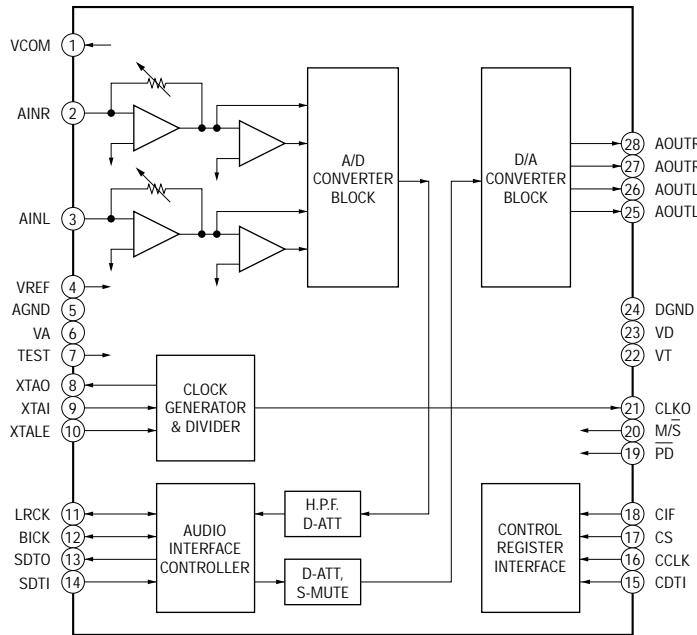
IC310 M5293L



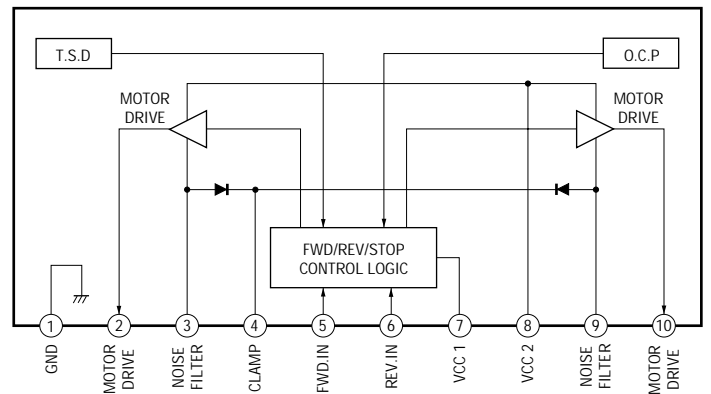
IC431 LA5632



IC321 AK4524



IC471 LB1641



## 6-14. IC PIN FUNCTION DESCRIPTION

### • BD BOARD IC101 CXA2523AR (RF AMP, FOCUS/TRACKING ERROR AMP)

Pin No.	Pin Name	I/O	Description
1	I	I	I-V converted RF signal I input from the optical pick-up block detector
2	J	I	I-V converted RF signal J input from the optical pick-up block detector
3	VC	O	Middle point voltage (+1.65V) generation output terminal
4 to 9	A to F	I	Signal input from the optical pick-up detector
10	PD	I	Light amount monitor input from the optical pick-up block laser diode
11	APC	O	Laser amplifier output terminal to the automatic power control circuit
12	APCREF	I	Reference voltage input terminal for setting laser power
13	GND	—	Ground terminal
14	TEMPI	I	Connected to the temperature sensor
15	TEMPR	O	Output terminal for a temperature sensor reference voltage
16	SWDT	I	Writing serial data input from the CXD2656R (IC121)
17	SCLK	I	Serial data transfer clock signal input from the CXD2656R (IC121)
18	XLAT	I	Serial data latch pulse signal input from the CXD2656R (IC121)
19	XSTBY	I	Standby signal input terminal “L”: standby (fixed at “H” in this set)
20	F0CNT	I	Center frequency control voltage input terminal of internal circuit (BPF22, BPF3T, EQ) input from the CXD2656R (IC121)
21	VREF	O	Reference voltage output terminal Not used (open)
22	EQADJ	I	Center frequency setting terminal for the internal circuit (EQ)
23	3TADJ	I	Center frequency setting terminal for the internal circuit (BPF3T)
24	VCC	—	Power supply terminal (+3.3V)
25	WBLADJ	I	Center frequency setting terminal for the internal circuit (BPF22)
26	TE	O	Tracking error signal output to the CXD2656R (IC121)
27	CSLED	I	Connected to the external capacitor for low-pass filter of the sled error signal
28	SE	O	Sled error signal output to the CXD2656R (IC121)
29	ADFM	O	FM signal output of the ADIP
30	ADIN	I	Receives a ADIP FM signal in AC coupling
31	ADAGC	I	Connected to the external capacitor for ADIP AGC
32	ADFG	O	ADIP duplex signal (22.05 kHz $\pm$ 1 kHz) output to the CXD2656R (IC121)
33	AUX	O	Auxiliary signal (I <sub>3</sub> signal/temperature signal) output to the CXD2656R (IC121)
34	FE	O	Focus error signal output to the CXD2656R (IC121)
35	ABCD	O	Light amount signal (ABCD) output to the CXD2656R (IC121)
36	BOTM	O	Light amount signal (RF/ABCD) bottom hold output to the CXD2656R (IC121)
37	PEAK	O	Light amount signal (RF/ABCD) peak hold output to the CXD2656R (IC121)
38	RF	O	Playback EFM RF signal output to the CXD2656R (IC121)
39	RFAGC	I	Connected to the external capacitor for RF auto gain control circuit
40	AGCI	I	Receives a RF signal in AC coupling
41	COMPO	O	User comparator output terminal Not used (open)
42	COMPP	I	User comparator input terminal Not used (fixed at “L”)
43	ADDC	I	Connected to the external capacitor for cutting the low band of the ADIP amplifier
44	OPO	O	User operational amplifier output terminal Not used (open)
45	OPN	I	User operational amplifier inversion input terminal Not used (fixed at “L”)
46	RFO	O	RF signal output terminal
47	MORFI	I	Receives a MO RF signal in AC coupling
48	MORFO	O	MO RF signal output terminal

• **BD BOARD IC121 CXD2656R**

**(DIGITAL SIGNAL PROCESSOR, DIGITAL SERVO PROCESSOR, EFM/ACIRC ENCODER/DECODER, SHOCK PROOF MEMORY CONTROLLER, ATRAC ENCODER/DECODER)**

Pin No.	Pin Name	I/O	Description
1	MNT0 (FOK)	O	Focus OK signal output to the system controller (IC501) “H” is output when focus is on (“L”: NG)
2	MNT1 (SHOCK)	O	Track jump detection signal output to the system controller (IC501)
3	MNT2 (XBUSY)	O	Busy monitor signal output to the system controller (IC501)
4	MNT3 (SLOCK)	O	Spindle servo lock status monitor signal output to the system controller (IC501)
5	SWDT	I	Writing serial data signal input from the system controller (IC501)
6	SCLK	I (S)	Serial data transfer clock signal input from the system controller (IC501)
7	XLAT	I (S)	Serial data latch pulse signal input from the system controller (IC501)
8	SRDT	O (3)	Reading serial data signal output to the system controller (IC501)
9	SENS	O (3)	Internal status (SENSE) output to the system controller (IC501)
10	XRST	I (S)	Reset signal input from the system controller (IC501) “L”: reset
11	SQSY	O	Subcode Q sync (SCOR) output to the system controller (IC501) “L” is output every 13.3 msec Almost all, “H” is output
12	DQSY	O	Digital In U-bit CD format subcode Q sync (SCOR) output to the system controller (IC501) “L” is output every 13.3 msec Almost all, “H” is output
13	RECP	I	Laser power selection signal input from the system controller (IC501) “L”: playback mode, “H”: recording mode
14	XINT	O	Interrupt status output to the system controller (IC501)
15	TX	I	Recording data output enable signal input from the system controller (IC501) Writing data transmission timing input (Also serves as the magnetic head on/off output)
16	OSCI	I	System clock signal (512Fs=22.5792 MHz) input terminal
17	OSCO	O	System clock signal (512Fs=22.5792 MHz) output terminal Not used (open)
18	XTSL	I	Input terminal for the system clock frequency setting “L”: 45.1584 MHz, “H”: 22.5792 MHz (fixed at “H” in this set)
19	DIN0	I	Digital audio signal input terminal when recording mode (for digital optical input)
20	DIN1	I	Digital audio signal input terminal when recording mode (for digital optical input or digital coaxial input)
21	DOUT	O	Digital audio signal output terminal when playback mode (for digital optical output)
22	DATAI	I	Serial data input terminal Not used (fixed at “L”)
23	LRCKI	I	L/R sampling clock signal (44.1 kHz) input terminal Not used (fixed at “L”)
24	XBCKI	I	Bit clock signal (2.8224 MHz) input terminal Not used (fixed at “L”)
25	ADDT	I	Recording data input from the A/D, D/A converter (IC321)
26	DADT	O	Playback data output to the A/D, D/A converter (IC321)
27	LRCK	O	L/R sampling clock signal (44.1 kHz) output to the A/D, D/A converter (IC321)
28	XBCK	O	Bit clock signal (2.8224 MHz) output to the A/D, D/A converter (IC321)
29	FS256	O	Clock signal (11.2896 MHz) output terminal Not used (open)
30	DVDD	—	Power supply terminal (+3.3V) (digital system)
31 to 34	A03 to A00	O	Address signal output to the D-RAM (IC124)
35	A10	O	Address signal output to the external D-RAM Not used (open)
36 to 40	A04 to A08	O	Address signal output to the D-RAM (IC124)
41	A11	O	Address signal output to the external D-RAM Not used (open)
42	DVSS	—	Ground terminal (digital system)
43	XOE	O	Output enable signal output to the D-RAM (IC124) “L” active
44	XCAS	O	Column address strobe signal output to the D-RAM (IC124) “L” active

\* I (S) stands for schmitt input, I (A) for analog input, O (3) for 3-state output, and O (A) for analog output in the column I/O.

Pin No.	Pin Name	I/O	Description
45	A09	O	Address signal output to the D-RAM (IC124)
46	<u>XRAS</u>	O	Row address strobe signal output to the D-RAM (IC124) "L" active
47	<u>XWE</u>	O	Write enable signal output to the D-RAM (IC124) "L" active
48	D1	I/O	Two-way data bus with the D-RAM (IC124)
49	D0	I/O	
50	D2	I/O	
51	D3	I/O	
52	MVCI	I (S)	Digital in PLL oscillation input from the external VCO Not used (fixed at "L")
53	ASYO	O	Playback EFM full-swing output terminal
54	ASYI	I (A)	Playback EFM asymmetry comparator voltage input terminal
55	AVDD	—	Power supply terminal (+3.3V) (analog system)
56	BIAS	I (A)	Playback EFM asymmetry circuit constant current input terminal
57	RFI	I (A)	Playback EFM RF signal input from the CXA2523AR (IC101)
58	AVSS	—	Ground terminal (analog system)
59	PCO	O (3)	Phase comparison output for master clock of the recording/playback EFM master PLL
60	FILI	I (A)	Filter input for master clock of the recording/playback master PLL
61	FILO	O (A)	Filter output for master clock of the recording/playback master PLL
62	CLTV	I (A)	Internal VCO control voltage input of the recording/playback master PLL
63	PEAK	I (A)	Light amount signal (RF/ABCD) peak hold input from the CXA2523AR (IC101)
64	BOTM	I (A)	Light amount signal (RF/ABCD) bottom hold input from the CXA2523AR (IC101)
65	ABCD	I (A)	Light amount signal (ABCD) input from the CXA2523AR (IC101)
66	FE	I (A)	Focus error signal input from the CXA2523AR (IC101)
67	AUX1	I (A)	Auxiliary signal (I <sub>3</sub> signal/temperature signal) input from the CXA2523AR (IC101)
68	VC	I (A)	Middle point voltage (+1.65V) input from the CXA2523AR (IC101)
69	ADIO	O (A)	Monitor output of the A/D converter input signal Not used (open)
70	AVDD	—	Power supply terminal (+3.3V) (analog system)
71	ADRT	I (A)	A/D converter operational range upper limit voltage input terminal (fixed at "H" in this set)
72	ADRB	I (A)	A/D converter operational range lower limit voltage input terminal (fixed at "L" in this set)
73	AVSS	—	Ground terminal (analog system)
74	SE	I (A)	Sled error signal input from the CXA2523AR (IC101)
75	TE	I (A)	Tracking error signal input from the CXA2523AR (IC101)
76	DCHG	I (A)	Connected to the +3.3V power supply
77	APC	I (A)	Error signal input for the laser automatic power control Not used (fixed at "H")
78	ADFG	I (S)	ADIP duplex FM signal (22.05 kHz ± 1 kHz) input from the CXA2523AR (IC101)
79	F0CNT	O	Filter f0 control signal output to the CXA2523AR (IC101)
80	XLRF	O	Serial data latch pulse signal output to the CXA2523AR (IC101)
81	CKRF	O	Serial data transfer clock signal output to the CXA2523AR (IC101)
82	DTRF	O	Writing serial data output to the CXA2523AR (IC101)
83	APCREF	O	Control signal output to the reference voltage generator circuit for the laser automatic power control
84	LDDR	O	PWM signal output for the laser automatic power control Not used (open)
85	TRDR	O	Tracking servo drive PWM signal (–) output to the BH6511FS (IC152)
86	TFDR	O	Tracking servo drive PWM signal (+) output to the BH6511FS (IC152)
87	DVDD	—	Power supply terminal (+3.3V) (digital system)
88	FFDR	O	Focus servo drive PWM signal (+) output to the BH6511FS (IC152)
89	FRDR	O	Focus servo drive PWM signal (–) output to the BH6511FS (IC152)

\* I (S) stands for schmitt input, I (A) for analog input, O (3) for 3-state output, and O (A) for analog output in the column I/O.

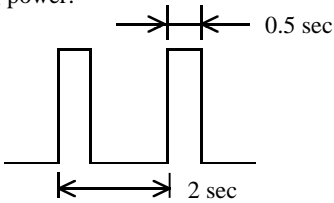


Pin No.	Pin Name	I/O	Description
90	FS4	O	Clock signal (176.4 kHz) output terminal (X'tal system) Not used (open)
91	SRDR	O	Sled servo drive PWM signal (-) output to the BH6511FS (IC152)
92	SFDR	O	Sled servo drive PWM signal (+) output to the BH6511FS (IC152)
93	SPRD	O	Spindle servo drive PWM signal (-) output to the BH6511FS (IC152)
94	SPFD	O	Spindle servo drive PWM signal (+) output to the BH6511FS (IC152)
95	FGIN	I (S)	Input terminal for the test (fixed at "L")
96	TEST1	I	
97	TEST2	I	
98	TEST3	I	
99	DVSS	—	Ground terminal (digital system)
100	EFMO	O	EFM signal output terminal when recording mode

\* I (S) stands for schmitt input, I (A) for analog input, O (3) for 3-state output, and O (A) for analog output in the column I/O.

• MAIN BOARD IC501 M30624MG-207FP (SYSTEM CONTROLLER)

Pin No.	Pin Name	I/O	Description
1, 2	NC	O	Not used (open)
3	C1	O	Monitor output terminal for the test C1 error rate is output when test mode
4	ADER	O	Monitor output terminal for the test ADER is output when test mode
5	SQSY	I	Subcode Q sync (SCOR) input from the CXD2656R (IC121) “L” is input every 13.3 msec Almost all, “H” is input
6	RMC	I	Remote control signal input from the remote control receiver (IC761)
7	A1 IN	I	Sircs remote control signal input of the CONTROL A1 Used for the AEP, UK and North European models only
8	BYTE	I	External data bus line byte selection signal input “L”: 16 bit, “H”: 8 bit (fixed at “L”)
9	CNVSS	—	Ground terminal
10	XT-IN	I	Sub system clock input terminal (32.768 kHz) Not used (open)
11	XT-OUT	O	Sub system clock output terminal (32.768 kHz) Not used (open)
12	$\overline{\text{S.RST}}$	I	System reset signal input from the LA5632 (IC431) and RESET switch (S401) “L”: reset For several hundreds msec. after the power supply rises, “L” is input, then it changes to “H”
13	XOUT	O	Main system clock output terminal (10 MHz)
14	GND	—	Ground terminal
15	XIN	I	Main system clock input terminal (10 MHz)
16	+3.3V	—	Power supply terminal (+3.3V)
17	NMI	I	Non-maskable interrupt input terminal (fixed at “H” in this set)
18	DQSY	I	Digital In U-bit CD format subcode Q sync (SCOR) input from the CXD2656R (IC121) “L” is input every 13.3 msec Almost all, “H” is input
19	P.DOWN	I	Power down detection signal input terminal “L”: power down, normally: “H”
20	KEYBOARD CLK	I	Not used (fixed at “H”)
21	KEYBOARD DATA	I	Not used (fixed at “H”)
22	NC	O	Not used (open)
23	XINT	I	Interrupt status input from the CXD2656R (IC121)
24 to 26	NC	O	Not used (open)
27	KEYBOARD CONT	O	Not used (pull up)
28 to 30	NC	O	Not used (open)
31	SWDT	O	Writing data output to the CXD2656R (IC121) and A/D, D/A converter (IC321)
32	SRDT	I	Reading data input from the CXD2656R (IC121)
33	SCLK	O	Serial clock signal output to the CXD2656R (IC121) and A/D, D/A converter (IC321)
34	FLCS	O	Chip select signal output to the FL/LED driver (IC771)
35	FLDATA	O	Serial data output to the FL/LED driver (IC771)
36	NC	O	Not used (open)
37	FLCLK	O	Serial data transfer clock signal output to the FL/LED driver (IC771)
38, 39	NC	O	Not used (open)
40	ADA LATCH	O	Serial data latch pulse signal output to the A/D, D/A converter (IC321)
41	NC	I	Not used (fixed at “L”)
42	JOG1	I	JOG dial pulse input from the rotary encoder (S713 $\llcorner \llcorner \text{AMS} \gg \gg \lrcorner$ ) (B phase input)
43	JOG0	I	JOG dial pulse input from the rotary encoder (S713 $\llcorner \llcorner \text{AMS} \gg \gg \lrcorner$ ) (A phase input)
44	NC	O	Not used (open)
45	A1 OUT	O	Sircs remote control signal output of the CONTROL A1 Used for the AEP, UK and North European models only
46	NC	I	Not used (fixed at “H”)
47	NC	O	Not used (open)

Pin No.	Pin Name	I/O	Description
48	DA RST	O	Reset signal output to the A/D, D/A converter (IC321) "L": reset
49	MUTE	O	Audio line muting on/off control signal output terminal "L": line muting on
50	STB	O	Strobe signal output to the power supply circuit "L": standby mode, "H": power on
51	CHACK IN	I	Detection input from the disc chucking-in detect switch "L": chucking Not used (fixed at "H")
52	NC	I	Not used (fixed at "L")
53	PACK-OUT	I	Detection input from the loading-out detect switch (S602) "L" at a load-out position, others: "H"
54	LDIN	O	Motor control signal output to the loading motor driver (IC471) "L" active *1
55	LDOUT	O	Motor control signal output to the loading motor driver (IC471) "L" active *1
56	LD-LOW	O	Loading motor drive voltage control signal output for the loading motor driver (IC471) "H" active
57, 58	NC	I	Not used (fixed at "L")
59	REC-P	I	Detection input from the recording position detect switch (S601) "L" active
60	PB-P	I	Detection input from the playback position detect switch (S604) "L" active
61	REC/PB	I	Not used (fixed at "L")
62	+3.3V	—	Power supply terminal (+3.3V)
63	NC	I	Not used (fixed at "L")
64	GND	—	Ground terminal
65	SDA	I/O	Two-way data bus with the EEPROM (IC171)
66	MNT3 (SLOCK)	I	Spindle servo lock status monitor signal input from the CXD2656R (IC121)
67	WR-PWR	O	Laser power select signal output to the CXD2656R (IC121) and HF module switch circuit "L": playback mode, "H": recording mode
68	PROTECT	I	Rec-proof claw detect input from the protect detect switch (S102) "H": write protect
69	REFLECT	I	Detection input from the disc reflection rate detect switch (S102) "L": high reflection rate disc, "H": low reflection rate disc
70	LDON	O	Laser diode on/off control signal output to the automatic power control circuit "H": laser on
71	SENS	I	Internal status (SENSE) input from the CXD2656R (IC121)
72	MNT1 (SHOCK)	I	Track jump detection signal input from the CXD2656R (IC121)
73	DIG-RST	O	Reset signal output to the CXD2656R (IC121) and BH6511FS (IC152) "L": reset
74	MNT2 (XBUSY)	I	Busy signal input from the CXD2656R (IC121)
75	XLATCH	O	Serial data latch pulse signal output to the CXD2656R (IC121)
76	MOD	O	Laser modulation select signal output to the HF module switch circuit Playback power: "H", Stop: "L", Recording power: 
77	LIMIT-IN	I	Detection input from the sled limit-in detect switch (S101) The optical pick-up is inner position when "L"

\*1 Loading motor (M103) control

Terminal	Mode			
	LOADING	EJECT	BRAKE	RUN IDLE
LDIN (pin ④)	"L"	"H"	"L"	"H"
LDOUT (pin ⑤)	"H"	"L"	"L"	"H"

Pin No.	Pin Name	I/O	Description
78	MNT0 (FOK)	I	Focus OK signal input from the CXD2656R (IC121) “H” is input when focus is on (“L”: NG)
79	SCL	O	Clock signal output to the EEPROM (IC171)
80	SCTX	O	Recording data output enable signal output to the CXD2656R (IC121) and overwrite head driver (IC181) Writing data transmission timing output (Also serves as the magnetic head on/off output)
81	CLOCK SET0	I	Destination setting terminal (US, Canadian and Singapore models: fixed at “L”, AEP, UK and North European models: fixed at “H”)
82	CLOCK SET1	I	Destination setting terminal (US, Canadian and Singapore models: fixed at “H”, AEP, UK and North European models: fixed at “L”)
83	LED0	O	LED drive signal output terminal Not used (open)
84	LED1	O	LED drive signal output terminal Not used (open)
85, 86	NC	O	Not used (open)
87	MODEL SEL0	I	Setting terminal for the model (fixed at “L” in this set)
88	MODEL SEL1	I	Setting terminal for the model (fixed at “L” in this set)
89, 90	NC	O	Not used (open)
91	TIMER	I	TIMER switch (S751) input terminal (A/D input) “L”: PLAY, “H”: REC (OFF: center voltage)
92	SOURCE	I	INPUT switch (S741) input terminal (A/D input)
93	KEY3	I	Key input terminal (A/D input) S731 and S732 (TIME, FADER keys input)
94	KEY2	I	Key input terminal (A/D input) S721 to S726 (≡ EJECT, PLAY MODE, REPEAT, SCROLL, LEVEL/DISPLAY/CHAR, I/⏪ keys input)
95	KEY1	I	Key input terminal (A/D input) S711 to S714 (MENU/NO, YES, PUSH ENTER, CLEAR keys input)
96	AVSS	—	Ground terminal
97	KEY0	I	Key input terminal (A/D input) S701 to S706 (REC ●, ■, ▶▶, ◀◀, II, ▷ keys input)
98	VREF	I	Reference voltage (+3.3V) input terminal (for A/D converter)
99	+3.3V	—	Power supply terminal (+3.3V) (for analog system )
100	MONO/ST	I	REC MODE switch (S746) input terminal “L”: MONO, “H”: STEREO

# SECTION 7 EXPLODED VIEWS

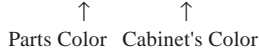
**NOTE:**

- -XX and -X mean standardized parts, so they may have some difference from the original one.

• Color Indication of Appearance Parts

Example:

KNOB, BALANCE (WHITE) . . . (RED)



• Abbreviation

AED : North European model

CND : Canadian model

EE : East European model

SP : Singapore model

- Items marked “\*” are not stocked since they are seldom required for routine service. Some delay should be anticipated when ordering these items.

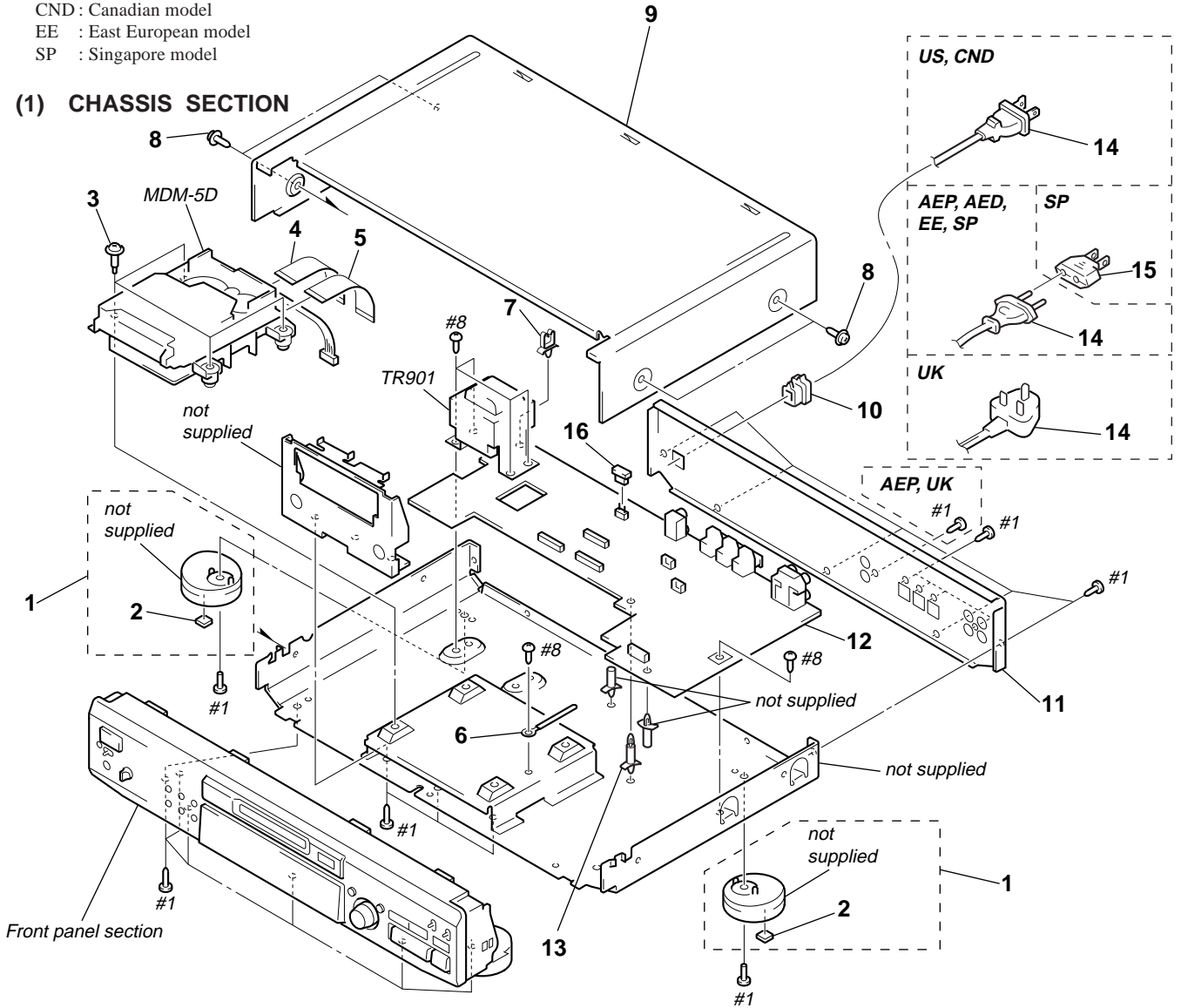
- The mechanical parts with no reference number in the exploded views are not supplied.

- Hardware (# mark) list and accessories and packing materials are given in the last of the electrical parts list.

The components identified by mark  $\Delta$  or dotted line with mark  $\Delta$  are critical for safety. Replace only with part number specified.

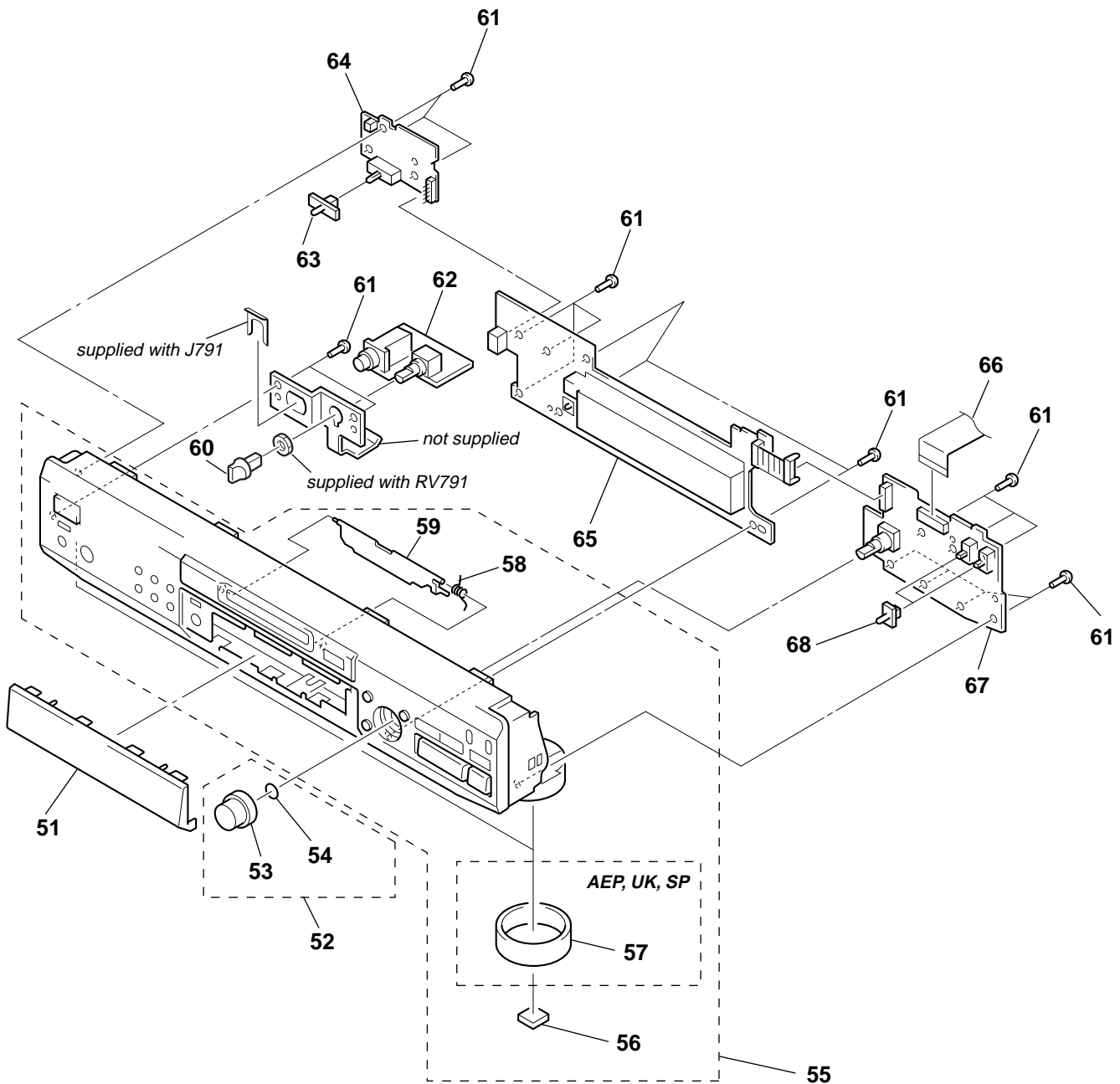
Les composants identifiés par une marque  $\Delta$  sont critiques pour la sécurité. Ne les remplacer que par une pièce portant le numéro spécifié.

**(1) CHASSIS SECTION**



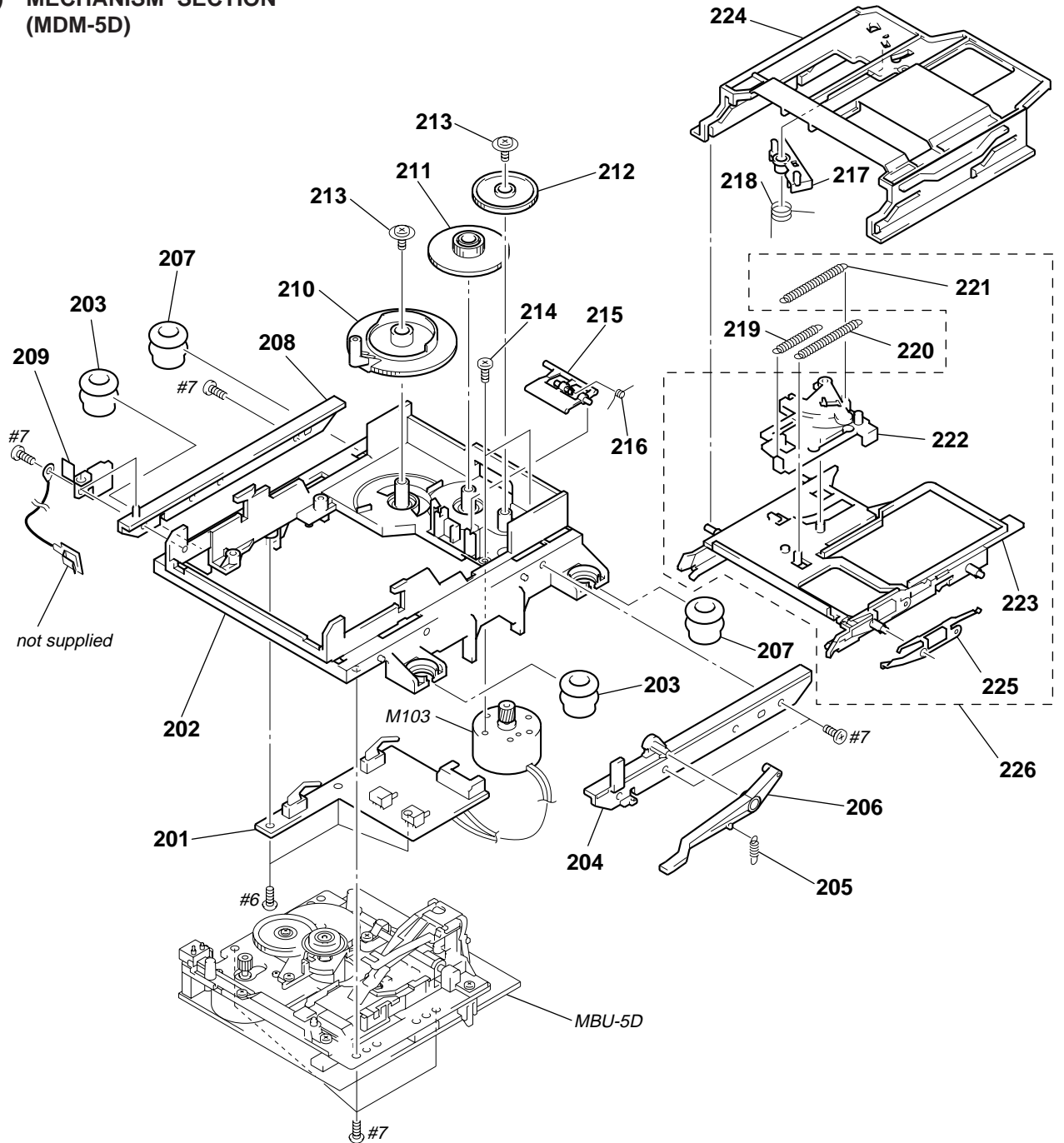
Ref. No.	Part No.	Description	Remark	Ref. No.	Part No.	Description	Remark
1	X-4947-389-1	FOOT ASSY (F50150S) (AEP, UK, SP) (BLACK)		11	4-216-907-21	PANEL, BACK (US)	
1	X-4947-390-1	FOOT ASSY (F50150S) (US, CND)		11	4-216-907-31	PANEL, BACK (CND)	
1	X-4947-748-1	FOOT ASSY (F50150S) (AEP) (SILVER)		11	4-216-907-51	PANEL, BACK (SP)	
2	4-983-762-02	CUSHION		12	A-4419-239-A	MAIN BOARD, COMPLETE (AEP, UK)	
3	4-999-839-01	SCREW (+BVTTWH M3), STEP		12	A-4419-244-A	MAIN BOARD, COMPLETE (SP)	
4	1-783-139-11	WIRE (FLAT TYPE) (21 CORE)		12	A-4419-249-A	MAIN BOARD, COMPLETE (US, CND)	
5	1-783-140-11	WIRE (FLAT TYPE) (23 CORE)		* 13	4-954-051-51	HOLDER, PC BOARD	
* 6	3-703-150-11	CLAMP		$\Delta$ 14	1-696-586-21	CORD, POWER (UK)	
* 7	3-644-407-00	CLIP, AC WIRE E		$\Delta$ 14	1-751-275-11	CORD, POWER (AEP, AED, EE, SP)	
8	4-210-291-01	SCREW (CASE 3 TP2) (for BLACK)		$\Delta$ 14	1-783-531-31	CORD, POWER (US, CND)	
8	4-210-291-11	SCREW (CASE 3 TP2) (for SILVER)		$\Delta$ 15	1-569-008-21	ADAPTOR, CONVERSION 2P (SP)	
* 9	4-983-661-01	CASE (408226) (BLACK)		16	1-569-972-21	SOCKET, SHORT 2P	
* 9	4-983-661-41	CASE (408226) (SILVER)		$\Delta$ TR901	1-433-886-11	TRANSFORMER, POWER (AEP, UK)	
10	4-966-267-11	BUSHING (FBS001), CORD		$\Delta$ TR901	1-433-887-11	TRANSFORMER, POWER (US, CND)	
11	4-216-907-01	PANEL, BACK (AEP, UK)		$\Delta$ TR901	1-433-888-11	TRANSFORMER, POWER (SP)	

(2) FRONT PANEL SECTION



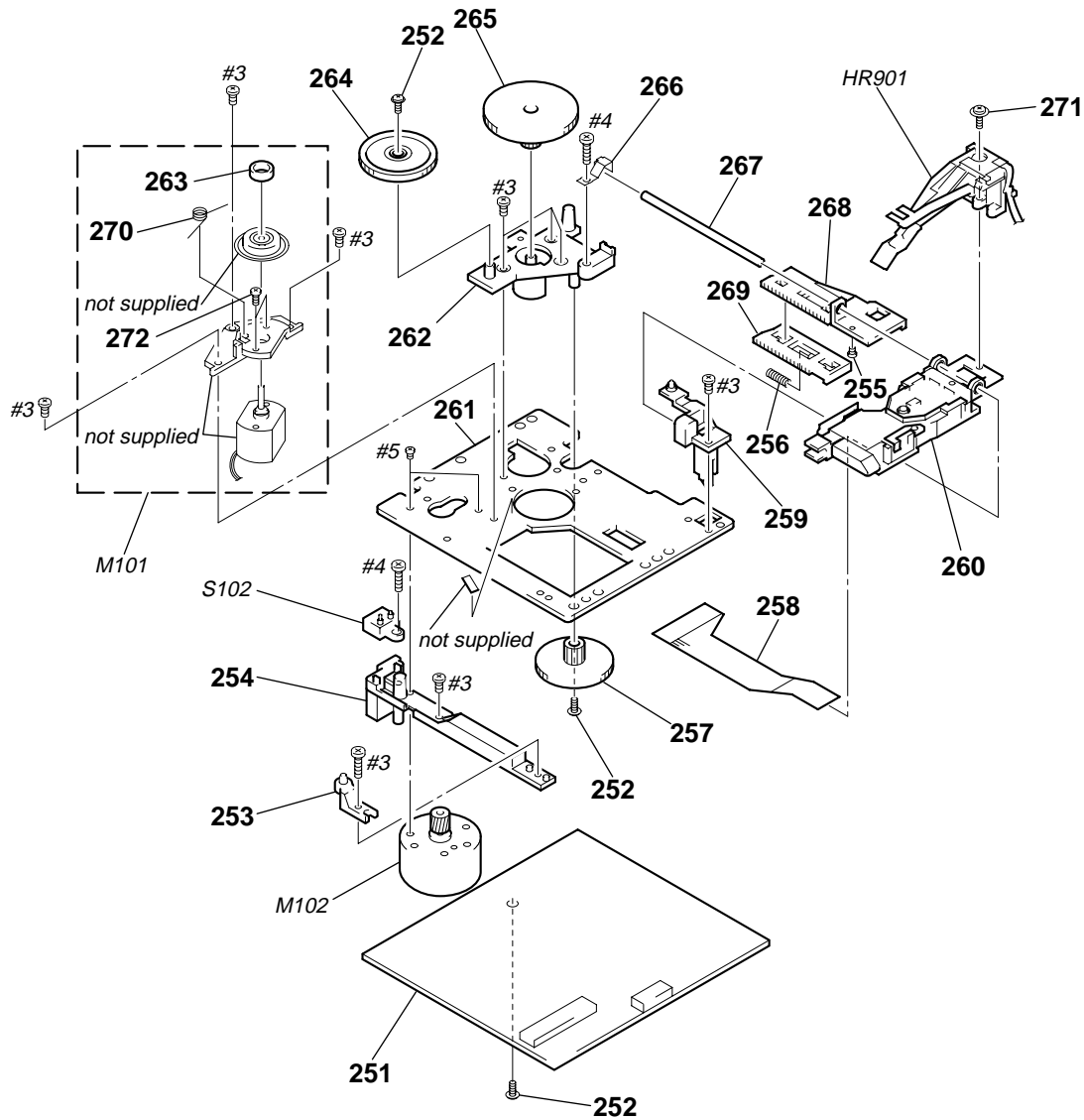
Ref. No.	Part No.	Description	Remark	Ref. No.	Part No.	Description	Remark
51	4-996-691-12	WINDOW (FL)		61	4-951-620-01	SCREW (2.6X8), +BVTP	
52	A-4672-565-A	KNOB (AMS) ASSY (BLACK)		62	1-673-242-11	HP BOARD	
53	4-996-687-61	KNOB (AMS) (SILVER)		63	3-917-216-11	KNOB (TIMER) (BLACK)	
54	3-354-981-01	SPRING (SUS), RING (for SILVER)		63	3-917-216-71	KNOB (TIMER) (SILVER)	
55	X-4951-056-1	PANEL ASSY, FRONT (AEP, UK) (BLACK)		64	1-673-241-11	POWER SW BOARD	
55	X-4951-057-1	PANEL ASSY, FRONT (AEP) (SILVER)		65	A-4419-241-A	DISPLAY BOARD, COMPLETE (AEP, UK)	
55	X-4951-060-1	PANEL ASSY, FRONT (US, CND)		65	A-4419-246-A	DISPLAY BOARD, COMPLETE (SP)	
55	X-4951-374-1	PANEL ASSY, FRONT (SP)		65	A-4419-251-A	DISPLAY BOARD, COMPLETE (US, CND)	
56	4-983-762-02	CUSHION		66	1-783-138-11	WIRE (FLAT TYPE) (19 CORE)	
57	4-981-435-11	RING (DIA. 50), ORNAMENTAL (AEP, UK, SP)		67	A-4419-240-A	KEY SW BOARD, COMPLETE (AEP, UK)	
58	4-976-593-01	SPRING (LID), TORSION		67	A-4419-245-A	KEY SW BOARD, COMPLETE (SP)	
59	4-996-690-31	LID (CARTRIDGE)		67	A-4419-250-A	KEY SW BOARD, COMPLETE (US, CND)	
60	4-950-189-01	KNOB (A) (VOL) (BLACK)		68	4-996-312-11	KNOB (TIMER) (BLACK)	
60	4-950-189-31	KNOB (A) (VOL) (SILVER)		68	4-996-312-51	KNOB (TIMER) (SILVER)	

**(3) MECHANISM SECTION  
(MDM-5D)**



Ref. No.	Part No.	Description	Remark	Ref. No.	Part No.	Description	Remark
* 201	1-668-111-11	SW BOARD		215	4-996-227-01	LEVER (HEAD)	
* 202	4-996-217-01	CHASSIS		216	4-996-229-01	SPRING (HEAD LEVER), TORSION	
203	4-996-223-01	INSULATOR (F) (BLACK)		217	4-996-212-01	LEVER (LIMITER)	
* 204	4-996-218-01	BRACKET (GUIDE R)		218	4-996-213-01	SPRING (LIMITER), TORSION	
205	4-996-277-01	SPRING (O/C), TENSION		219	4-996-214-01	SPRING (SLIDER), TENSION	
206	4-996-226-01	LEVER (O/C)		220	4-996-216-01	SPRING (HOLDER), TENSION	
207	4-999-347-01	INSULATOR (R) (GREEN)		221	4-210-396-01	SPRING (LOCK), TENSION	
* 208	4-996-225-01	BRACKET (GUIDE L)		222	X-4949-246-1	SLIDER ASSY	
209	4-988-466-21	SPRING (ELECTROSTATIC), LEAF		* 223	X-4949-245-6	HOLDER ASSY	
210	4-996-219-01	GEAR (CAM GEAR)		* 224	4-996-211-01	SLIDER (CAM)	
211	4-996-220-01	GEAR (A)		225	4-998-763-01	SPRING (SHUTTER), LEAF	
212	4-996-221-01	GEAR (B)		226	A-4680-118-1	HOLDER COMPLETE ASSY	
213	4-933-134-01	SCREW (+PTPWH M2.6X6)		M103	X-4949-264-1	MOTOR ASSY, LOADING	
214	4-996-224-01	SCREW (1.7X3), +PWH					

**(4) BASE UNIT SECTION  
(MBU-5D)**



<p>The components identified by mark <math>\Delta</math> or dotted line with mark <math>\Delta</math> are critical for safety. Replace only with part number specified.</p>	<p>Les composants identifiés par une marque <math>\Delta</math> sont critiques pour la sécurité. Ne les remplacer que par une pièce portant le numéro spécifié.</p>
---	---

Ref. No.	Part No.	Description	Remark	Ref. No.	Part No.	Description	Remark
251	A-4724-637-A	BD BOARD, COMPLETE		264	4-996-260-01	GEAR (SL-A)	
252	3-372-761-01	SCREW (M1.7), TAPPING		265	4-996-261-01	GEAR (SL-B)	
* 253	4-996-267-01	BASE (BU-D)		266	4-996-264-01	SPRING (SHAFT), LEAF	
* 254	4-996-255-01	BASE (BU-C)		267	4-996-265-01	SHAFT, MAIN	
255	4-900-590-01	SCREW, PRECISION SMALL		268	4-996-256-01	SL (BASE)	
256	4-996-258-01	SPRING, COMPRESSION		269	4-996-257-01	RACK (SL)	
257	4-996-262-01	GEAR (SL-C)		270	4-996-263-01	SPRING (CLV), TORSION	
258	1-667-954-11	FLEXIBLE BOARD		271	4-988-560-01	SCREW (+P 1.7X6)	
* 259	4-210-664-01	BASE (BU-A)		272	4-211-036-01	SCREW (1.7X2.5), +PWH	
$\Delta$ 260	8-583-028-02	OPTICAL PICK-UP KMS-260A/J1N		HR901	1-500-502-11	HEAD, OVER WRITE	
* 261	4-996-252-01	CHASSIS, BU		M101	A-4672-475-A	MOTOR ASSY, SPINDLE	
* 262	4-996-254-01	BASE (BU-B)		M102	A-4672-474-A	MOTOR ASSY, SLED	
263	4-967-688-11	MAGNET, ABSORPTION		S102	1-762-148-21	SWITCH, PUSH (2 KEY)	

(REFLECT DET, PROTECT DET)



# SECTION 8 ELECTRICAL PARTS LIST

BD

**NOTE:**

- Due to standardization, replacements in the parts list may be different from the parts specified in the diagrams or the components used on the set.
- -XX and -X mean standardized parts, so they may have some difference from the original one.
- RESISTORS  
All resistors are in ohms.  
METAL: Metal-film resistor.  
METAL OXIDE: Metal oxide-film resistor.  
F: nonflammable
- Abbreviation  
AED : North European model  
CND : Canadian model  
SP : Singapore model

- Items marked “\*” are not stocked since they are seldom required for routine service. Some delay should be anticipated when ordering these items.
- SEMICONDUCTORS  
In each case, u:  $\mu$ , for example:  
uA. . . :  $\mu$ A. . .      uPA. . . :  $\mu$ PA. . .  
uPB. . . :  $\mu$ PB. . .    uPC. . . :  $\mu$ PC. . .  
uPD. . . :  $\mu$ PD. . .
- CAPACITORS  
uF:  $\mu$ F
- COILS  
uH:  $\mu$ H

The components identified by mark  $\Delta$  or dotted line with mark  $\Delta$  are critical for safety. Replace only with part number specified.

Les composants identifiés par une marque  $\Delta$  sont critiques pour la sécurité. Ne les remplacer que par une pièce portant le numéro spécifié.

When indicating parts by reference number, please include the board.

Ref. No.	Part No.	Description	Remark	Ref. No.	Part No.	Description	Remark
	A-4724-637-A	BD BOARD, COMPLETE *****					
		< CAPACITOR >					
C101	1-125-822-11	TANTALUM	10uF 20%	C160	1-104-601-11	ELECT CHIP	10uF 20%
C102	1-163-038-00	CERAMIC CHIP	0.1uF	C161	1-104-601-11	ELECT CHIP	10uF 20%
C103	1-125-822-11	TANTALUM	10uF 20%	C163	1-163-021-11	CERAMIC CHIP	0.01uF 10%
C104	1-125-822-11	TANTALUM	10uF 20%	C164	1-163-021-11	CERAMIC CHIP	0.01uF 10%
C105	1-163-021-11	CERAMIC CHIP	0.01uF 10%	C167	1-163-038-00	CERAMIC CHIP	0.1uF 25V
C106	1-163-275-11	CERAMIC CHIP	0.001uF 5%	C168	1-163-038-00	CERAMIC CHIP	0.1uF 25V
C107	1-163-038-00	CERAMIC CHIP	0.1uF	C169	1-125-822-11	TANTALUM	10uF 20%
C108	1-163-038-00	CERAMIC CHIP	0.1uF	C171	1-163-038-00	CERAMIC CHIP	0.1uF 25V
C109	1-163-037-11	CERAMIC CHIP	0.022uF 10%	C181	1-104-913-11	TANTALUM CHIP	10uF 20%
C111	1-164-344-11	CERAMIC CHIP	0.068uF 10%	C183	1-163-038-00	CERAMIC CHIP	0.1uF 25V
C112	1-163-017-00	CERAMIC CHIP	0.0047uF 5%	C184	1-117-970-11	ELECT CHIP	22uF 20%
C113	1-109-982-11	CERAMIC CHIP	1uF 10%	C185	1-164-611-11	CERAMIC CHIP	0.001uF 10%
C115	1-164-489-11	CERAMIC CHIP	0.22uF 10%	C187	1-104-913-11	TANTALUM CHIP	10uF 20%
C116	1-163-037-11	CERAMIC CHIP	0.022uF 10%	C188	1-163-021-11	CERAMIC CHIP	0.01uF 10%
C117	1-163-809-11	CERAMIC CHIP	0.047uF 10%	C189	1-163-989-11	CERAMIC CHIP	0.033uF 10%
C118	1-163-038-00	CERAMIC CHIP	0.1uF	C190	1-126-206-11	ELECT CHIP	100uF 20%
C119	1-125-822-11	TANTALUM	10uF 20%	C191	1-163-038-00	CERAMIC CHIP	0.1uF 25V
C121	1-125-822-11	TANTALUM	10uF 20%	C196	1-163-038-00	CERAMIC CHIP	0.1uF 25V
C122	1-163-021-11	CERAMIC CHIP	0.01uF 10%	C197	1-163-038-00	CERAMIC CHIP	0.1uF 25V
C123	1-163-038-00	CERAMIC CHIP	0.1uF			< CONNECTOR >	
C124	1-163-038-00	CERAMIC CHIP	0.1uF	CN101	1-569-479-21	CONNECTOR, FPC 21P	
C127	1-163-038-00	CERAMIC CHIP	0.1uF	CN102	1-784-833-21	CONNECTOR, FFC(LIF(NON-ZIF)) 21P	
C128	1-163-021-11	CERAMIC CHIP	0.01uF 10%	CN103	1-784-834-21	CONNECTOR, FFC(LIF(NON-ZIF)) 23P	
C129	1-107-823-11	CERAMIC CHIP	0.47uF 10%	CN104	1-770-687-11	CONNECTOR, FFC/FPC 4P	
C130	1-163-251-11	CERAMIC CHIP	100PF 5%	CN110	1-695-440-21	PIN, CONNECTOR (PC BOARD) 6P	
C131	1-163-023-00	CERAMIC CHIP	0.015uF 5%			< DIODE >	
C132	1-107-823-11	CERAMIC CHIP	0.47uF 10%	D101	8-719-988-61	DIODE 1SS355TE-17	
C133	1-163-017-00	CERAMIC CHIP	0.0047uF 5%	D181	8-719-046-86	DIODE F1J6TP	
C134	1-163-038-00	CERAMIC CHIP	0.1uF	D183	8-719-046-86	DIODE F1J6TP	
C135	1-163-038-00	CERAMIC CHIP	0.1uF			< IC/TRANSISTOR >	
C136	1-126-206-11	ELECT CHIP	100uF 20%	IC101	8-752-080-95	IC CXA2523AR	
C142	1-163-251-11	CERAMIC CHIP	100PF 5%	IC103	8-729-903-10	TRANSISTOR FMW1	
C143	1-163-251-11	CERAMIC CHIP	100PF 5%	IC121	8-752-390-16	IC CXD2656R	
C144	1-163-251-11	CERAMIC CHIP	100PF 5%	IC123	8-759-096-87	IC TC7WU04FU (TE12R)	
C146	1-163-038-00	CERAMIC CHIP	0.1uF	IC124	8-759-334-38	IC MSM51V4400-70TS-K	
C151	1-126-206-11	ELECT CHIP	100uF 20%	IC152	8-759-430-25	IC BH6511FS-E2	
C152	1-163-038-00	CERAMIC CHIP	0.1uF	IC171	8-759-487-04	IC BR24C02F-E2	
C153	1-163-021-11	CERAMIC CHIP	0.01uF 10%	IC181	8-759-481-17	IC MC74ACT08DTR2	
C156	1-163-038-00	CERAMIC CHIP	0.1uF	IC192	8-759-460-72	IC BA033FP-E2	
C158	1-163-019-00	CERAMIC CHIP	0.0068uF 10%				

**BD**      **DISPLAY**

Ref. No.	Part No.	Description	Remark
< COIL/SHORT >			
L101	1-414-813-11	FERRITE      0uH	
L102	1-414-813-11	FERRITE      0uH	
L103	1-414-813-11	FERRITE      0uH	
L105	1-414-813-11	FERRITE      0uH	
L106	1-414-813-11	FERRITE      0uH	
L121	1-414-813-11	FERRITE      0uH	
L122	1-414-813-11	FERRITE      0uH	
L151	1-412-029-11	INDUCTOR CHIP 10uH	
L152	1-412-029-11	INDUCTOR CHIP 10uH	
L153	1-412-032-11	INDUCTOR CHIP 100uH	
L154	1-412-032-11	INDUCTOR CHIP 100uH	
L161	1-414-813-11	FERRITE      0uH	
L162	1-414-813-11	FERRITE      0uH	
L181	1-216-295-00	SHORT          0	
< TRANSISTOR >			
Q101	8-729-028-91	TRANSISTOR    DTA144EUA-T106	
Q102	8-729-026-53	TRANSISTOR    2SA1576A-T106-QR	
Q103	8-729-028-99	TRANSISTOR    RN1307-TE85L	
Q104	8-729-028-99	TRANSISTOR    RN1307-TE85L	
Q162	8-729-101-07	TRANSISTOR    2SB798-DL	
Q163	8-729-028-91	TRANSISTOR    DTA144EUA-T106	
Q181	8-729-018-75	FET            2SJ278MY	
Q182	8-729-017-65	FET            2SK1764KY	
< RESISTOR >			
R103	1-216-049-11	RES, CHIP      1K      5%    1/10W	
R104	1-216-073-00	METAL CHIP    10K     5%    1/10W	
R105	1-216-065-00	RES, CHIP      4.7K    5%    1/10W	
R106	1-216-133-00	METAL CHIP    3.3M    5%    1/10W	
R107	1-216-113-00	METAL CHIP    470K    5%    1/10W	
R109	1-216-295-00	SHORT          0	
R110	1-216-073-00	METAL CHIP    10K     5%    1/10W	
R111	1-216-295-00	SHORT          0	
R112	1-216-089-00	RES, CHIP      47K     5%    1/10W	
R113	1-216-049-11	RES, CHIP      1K      5%    1/10W	
R115	1-216-049-11	RES, CHIP      1K      5%    1/10W	
R117	1-216-113-00	METAL CHIP    470K    5%    1/10W	
R120	1-216-025-00	RES, CHIP      100     5%    1/10W	
R121	1-216-097-00	RES, CHIP      100K    5%    1/10W	
R123	1-216-295-00	SHORT          0	
R124	1-216-025-00	RES, CHIP      100     5%    1/10W	
R125	1-216-025-00	RES, CHIP      100     5%    1/10W	
R127	1-216-025-00	RES, CHIP      100     5%    1/10W	
R129	1-216-295-00	SHORT          0	
R131	1-216-073-00	METAL CHIP    10K     5%    1/10W	
R132	1-216-097-00	RES, CHIP      100K    5%    1/10W	
R133	1-216-117-00	METAL CHIP    680K    5%    1/10W	
R134	1-216-049-11	RES, CHIP      1K      5%    1/10W	
R135	1-216-061-00	METAL CHIP    3.3K    5%    1/10W	
R136	1-216-049-11	RES, CHIP      1K      5%    1/10W	
R137	1-216-295-00	SHORT          0	
R140	1-216-029-00	METAL CHIP    150     5%    1/10W	
R142	1-216-073-00	METAL CHIP    10K     5%    1/10W	
R143	1-216-073-00	METAL CHIP    10K     5%    1/10W	
R144	1-216-025-00	RES, CHIP      100     5%    1/10W	

Ref. No.	Part No.	Description	Remark
R145	1-216-073-00	METAL CHIP    10K     5%    1/10W	
R146	1-216-037-00	METAL CHIP    330     5%    1/10W	
R147	1-216-025-00	RES, CHIP      100     5%    1/10W	
R148	1-216-045-00	METAL CHIP    680     5%    1/10W	
R149	1-216-073-00	METAL CHIP    10K     5%    1/10W	
R150	1-216-295-00	SHORT          0	
R151	1-216-073-00	METAL CHIP    10K     5%    1/10W	
R152	1-216-073-00	METAL CHIP    10K     5%    1/10W	
R158	1-216-097-00	RES, CHIP      100K    5%    1/10W	
R159	1-216-097-00	RES, CHIP      100K    5%    1/10W	
R160	1-216-295-00	SHORT          0	
R161	1-216-057-00	METAL CHIP    2.2K    5%    1/10W	
R162	1-216-057-00	METAL CHIP    2.2K    5%    1/10W	
R163	1-216-057-00	METAL CHIP    2.2K    5%    1/10W	
R164	1-216-045-00	METAL CHIP    680     5%    1/10W	
R165	1-216-097-00	RES, CHIP      100K    5%    1/10W	
R166	1-220-149-11	REGISTER      2.2      10%    1/2W	
R167	1-216-065-00	RES, CHIP      4.7K    5%    1/10W	
R169	1-219-724-11	METAL CHIP    1        1%    1/4W	
R170	1-216-073-00	METAL CHIP    10K     5%    1/10W	
R171	1-216-073-00	METAL CHIP    10K     5%    1/10W	
R173	1-216-121-00	RES, CHIP      1M      5%    1/10W	
R175	1-216-065-00	RES, CHIP      4.7K    5%    1/10W	
R177	1-216-061-00	METAL CHIP    3.3K    5%    1/10W	
R179	1-216-085-00	METAL CHIP    33K     5%    1/10W	
R180	1-216-073-00	METAL CHIP    10K     5%    1/10W	
R182	1-216-089-00	RES, CHIP      47K     5%    1/10W	
R183	1-216-089-00	RES, CHIP      47K     5%    1/10W	
R184	1-216-073-00	METAL CHIP    10K     5%    1/10W	
R185	1-216-081-00	METAL CHIP    22K     5%    1/10W	
R186	1-216-089-00	RES, CHIP      47K     5%    1/10W	
R188	1-216-073-00	METAL CHIP    10K     5%    1/10W	
R189	1-216-073-00	METAL CHIP    10K     5%    1/10W	
R190	1-216-073-00	METAL CHIP    10K     5%    1/10W	
R195	1-216-073-00	METAL CHIP    10K     5%    1/10W	
R196	1-216-295-00	SHORT          0	
R197	1-216-295-00	SHORT          0	
< SWITCH >			
S101	1-762-596-21	SWITCH, PUSH (1 KEY) (LIMIT IN)	
S102	1-762-148-21	SWITCH, PUSH (2 KEY)	
(REFLECT DET, PROTECT DET)			
*****			
	A-4419-241-A	DISPLAY BOARD, COMPLETE (AEP, UK)	
	A-4419-246-A	DISPLAY BOARD, COMPLETE (SP)	
	A-4419-251-A	DISPLAY BOARD, COMPLETE (US,CND)	
*****			
	2-389-320-01	CUSHION	
*	4-996-686-11	HOLDER (FL)	
< CAPACITOR >			
C701	1-126-153-11	ELECT          22uF    20%    6.3V	
C761	1-124-584-00	ELECT          100uF   20%    10V	
C762	1-162-306-11	CERAMIC       0.01uF  20%    16V	
C770	1-162-306-11	CERAMIC       0.01uF  20%    16V	
C772	1-162-213-31	CERAMIC       39PF    5%    50V	
C773	1-162-306-11	CERAMIC       0.01uF  20%    16V	

Ref. No.	Part No.	Description	Remark	Ref. No.	Part No.	Description	Remark
C774	1-162-294-31	CERAMIC	0.001uF 10% 50V		1-673-242-11	HP BOARD	
C775	1-162-294-31	CERAMIC	0.001uF 10% 50V			*****	
C776	1-162-294-31	CERAMIC	0.001uF 10% 50V			< CAPACITOR >	
C781	1-162-294-31	CERAMIC	0.001uF 10% 50V				
C782	1-164-159-11	CERAMIC	0.1uF 50V	C791	1-162-282-31	CERAMIC	100PF 10% 50V
C783	1-162-294-31	CERAMIC	0.001uF 10% 50V	C792	1-162-282-31	CERAMIC	100PF 10% 50V
C787	1-164-159-11	CERAMIC	0.1uF 50V	C800	1-164-159-11	CERAMIC	0.1uF 50V
C790	1-124-261-00	ELECT	10uF 20% 50V			< CONNECTOR/JACK >	
C798	1-124-261-00	ELECT	10uF 20% 50V				
		< CONNECTOR >		CN791	1-506-468-11	PIN, CONNECTOR 3P	
CN750	1-695-994-11	HOUSING, CONNECTOR 5P		J791	1-770-306-11	JACK (LARGE TYPE) (PHONES)	
CN771	1-778-317-11	CONNECTOR, BOARD TO BOARD 13P				< RESISTOR >	
		< FLUORESCENT INDICATOR TUBE >		R791	1-249-393-11	CARBON	10 5% 1/4W
FL781	1-517-738-11	INDICATOR TUBE, FLUORESCENT		R792	1-249-393-11	CARBON	10 5% 1/4W
		< IC >				< VARIABLE RESISTOR >	
IC761	8-749-013-92	IC GP1UC7X (■)		RV791	1-225-590-11	RES, VAR 1K (PHONES LEVEL)	
IC771	8-759-525-49	IC MSM9201-02GS-K				*****	
		< LEAD >				A-4419-240-A	KEY SW BOARD, COMPLETE (AEP, UK)
LP787	1-690-880-41	LEAD (WITH CONNECTOR)				A-4419-245-A	KEY SW BOARD, COMPLETE (SP)
		< TRANSISTOR >				A-4419-250-A	KEY SW BOARD, COMPLETE (US, CND)
Q781	8-729-620-05	TRANSISTOR	2SC2603-EF			*****	
Q782	8-729-620-05	TRANSISTOR	2SC2603-EF			< CAPACITOR >	
		< RESISTOR >		C700	1-126-153-11	ELECT	22uF 20% 6.3V
R722	1-249-421-11	CARBON	2.2K 5% 1/4W	C748	1-164-159-11	CERAMIC	0.1uF 50V
R723	1-247-843-11	CARBON	3.3K 5% 1/4W	C799	1-124-261-00	ELECT	10uF 20% 50V
R724	1-249-425-11	CARBON	4.7K 5% 1/4W			< CONNECTOR >	
R725	1-249-429-11	CARBON	10K 5% 1/4W	CN701	1-779-556-11	CONNECTOR,FFC(LIF(NON-ZIF))19P	
R726	1-249-435-11	CARBON	33K 5% 1/4W	CN770	1-778-318-11	CONNECTOR, BOARD TO BOARD 13P	
R732	1-249-421-11	CARBON	2.2K 5% 1/4W			< LEAD >	
R761	1-249-401-11	CARBON	47 5% 1/4W	LP748	1-690-880-41	LEAD (WITH CONNECTOR)	
R762	1-247-807-31	CARBON	100 5% 1/4W			< RESISTOR >	
R772	1-247-843-11	CARBON	3.3K 5% 1/4W	R702	1-249-421-11	CARBON	2.2K 5% 1/4W
R773	1-247-807-31	CARBON	100 5% 1/4W	R703	1-247-843-11	CARBON	3.3K 5% 1/4W
R774	1-247-807-31	CARBON	100 5% 1/4W	R704	1-249-425-11	CARBON	4.7K 5% 1/4W
R775	1-247-807-31	CARBON	100 5% 1/4W	R705	1-249-429-11	CARBON	10K 5% 1/4W
R776	1-247-807-31	CARBON	100 5% 1/4W	R706	1-249-435-11	CARBON	33K 5% 1/4W
R781	1-247-807-31	CARBON	100 5% 1/4W	R712	1-249-421-11	CARBON	2.2K 5% 1/4W
R782	1-249-441-11	CARBON	100K 5% 1/4W	R713	1-247-843-11	CARBON	3.3K 5% 1/4W
R783	1-247-807-31	CARBON	100 5% 1/4W	R714	1-249-425-11	CARBON	4.7K 5% 1/4W
R784	1-249-441-11	CARBON	100K 5% 1/4W	R742	1-249-426-11	CARBON	5.6K 5% 1/4W
		< SWITCH >		R743	1-249-425-11	CARBON	4.7K 5% 1/4W
S721	1-762-875-21	SWITCH, KEYBOARD (≡ EJECT)		R744	1-249-429-11	CARBON	10K 5% 1/4W
S722	1-762-875-21	SWITCH, KEYBOARD (PLAY MODE)		R745	1-249-435-11	CARBON	33K 5% 1/4W
S723	1-762-875-21	SWITCH, KEYBOARD (REPEAT)				< SWITCH >	
S724	1-762-875-21	SWITCH, KEYBOARD (SCROLL)		S701	1-762-875-21	SWITCH, KEYBOARD (REC ●)	
S725	1-762-875-21	SWITCH, KEYBOARD (LEVEL/DISPLAY/CHAR)		S702	1-762-875-21	SWITCH, KEYBOARD (■)	
S731	1-762-875-21	SWITCH, KEYBOARD (TIME)		S703	1-762-875-21	SWITCH, KEYBOARD (▶▶)	
S732	1-762-875-21	SWITCH, KEYBOARD (FADER)		S704	1-762-875-21	SWITCH, KEYBOARD (◀◀)	
		*****		S705	1-762-875-21	SWITCH, KEYBOARD (▣)	

**KEY SW**

**MAIN**

Ref. No.	Part No.	Description	Remark
S706	1-762-875-21	SWITCH, KEYBOARD (▷)	
S711	1-762-875-21	SWITCH, KEYBOARD (MENU/NO)	
S712	1-762-875-21	SWITCH, KEYBOARD (YES)	
S713	1-475-543-11	ENCODER, ROTARY (◀◀ AMS ▷▷), PUSH ENTER)	
S714	1-762-875-21	SWITCH, KEYBOARD (CLEAR)	
S741	1-771-047-11	SWITCH, SLIDE (INPUT)	
S746	1-571-427-11	SWITCH, SLIDE (REC MODE)	
*****			
A-4419-239-A	MAIN BOARD, COMPLETE (AEP, UK)		
A-4419-244-A	MAIN BOARD, COMPLETE (SP)		
A-4419-249-A	MAIN BOARD, COMPLETE (US, CND) *****		
7-685-872-09	SCREW +BVTT 3X8 (S)		
	< BATTERY >		
BT451	1-528-739-11	BATTERY, LITHIUM (SECONDARY)	
	< CAPACITOR >		
C101	1-136-356-11	FILM 470PF 5%	50V
C102	1-128-551-11	ELECT 22uF 20%	25V
C103	1-126-933-11	ELECT 100uF 20%	16V
C104	1-128-551-11	ELECT 22uF 20%	25V
C105	1-137-366-11	FILM 0.0022uF 5%	50V
C161	1-137-360-11	FILM 220PF 5%	50V
C165	1-137-358-11	FILM 0.0001uF 5%	50V
C166	1-137-358-11	FILM 0.0001uF 5%	50V
C172	1-137-368-11	FILM 0.0047uF 5%	50V
C173	1-130-471-00	MYLAR 0.001uF 5%	50V
C181	1-128-551-11	ELECT 22uF 20%	25V
C183	1-136-356-11	FILM 470PF 5%	50V
C184	1-126-933-11	ELECT 100uF 20%	16V
C201	1-136-356-11	FILM 470PF 5%	50V
C202	1-128-551-11	ELECT 22uF 20%	25V
C203	1-126-933-11	ELECT 100uF 20%	16V
C204	1-128-551-11	ELECT 22uF 20%	25V
C205	1-137-366-11	FILM 0.0022uF 5%	50V
C261	1-137-360-11	FILM 220PF 5%	50V
C265	1-137-358-11	FILM 0.0001uF 5%	50V
C266	1-137-358-11	FILM 0.0001uF 5%	50V
C272	1-137-368-11	FILM 0.0047uF 5%	50V
C273	1-130-471-00	MYLAR 0.001uF 5%	50V
C281	1-128-551-11	ELECT 22uF 20%	25V
C283	1-136-356-11	FILM 470PF 5%	50V
C284	1-126-933-11	ELECT 100uF 20%	16V
C311	1-164-159-11	CERAMIC 0.1uF	50V
C341	1-102-942-00	CERAMIC 5.0PF ±0.5PF	50V
C342	1-102-942-00	CERAMIC 5.0PF ±0.5PF	50V
C345	1-164-159-11	CERAMIC 0.1uF	50V
C346	1-164-159-11	CERAMIC 0.1uF	50V
C347	1-126-933-11	ELECT 100uF 20%	16V
C348	1-126-934-11	ELECT 220uF 20%	10V
C349	1-164-159-11	CERAMIC 0.1uF	50V
C352	1-164-159-11	CERAMIC 0.1uF 10%	50V
C353	1-164-159-11	CERAMIC 0.1uF	50V
C354	1-126-934-11	ELECT 220uF 20%	10V
C355	1-164-159-11	CERAMIC 0.1uF	50V

Ref. No.	Part No.	Description	Remark
C356	1-126-933-11	ELECT 100uF 20%	16V
C357	1-164-159-11	CERAMIC 0.1uF	50V
C358	1-164-159-11	CERAMIC 0.1uF	50V
C359	1-164-159-11	CERAMIC 0.1uF	50V
C360	1-164-159-11	CERAMIC 0.1uF	50V
C361	1-126-926-11	ELECT 1000uF 20%	10V
C362	1-162-282-31	CERAMIC 100PF 10%	50V
C363	1-162-282-31	CERAMIC 100PF 10%	50V
C364	1-162-282-31	CERAMIC 100PF 10%	50V
C368	1-126-933-11	ELECT 100uF 20%	16V
C391	1-126-933-11	ELECT 100uF 20%	16V
C392	1-126-933-11	ELECT 100uF 20%	16V
C401	1-164-159-11	CERAMIC 0.1uF	50V
C402	1-164-159-11	CERAMIC 0.1uF	50V
C403	1-164-159-11	CERAMIC 0.1uF	50V
C411	1-117-850-11	ELECT 15000uF 20%	16V
C413	1-126-952-11	ELECT 1000uF 20%	35V
C415	1-126-952-11	ELECT 1000uF 20%	35V
C421	1-128-563-11	ELECT 100uF 20%	100V
C422	1-164-159-11	CERAMIC 0.1uF	50V
C423	1-126-968-11	ELECT 100uF 20%	50V
C424	1-128-551-11	ELECT 22uF 20%	25V
C425	1-126-968-11	ELECT 100uF 20%	50V
C430	1-164-159-11	CERAMIC 0.1uF	50V
C431	1-104-664-11	ELECT 47uF 20%	25V
C432	1-126-963-11	ELECT 4.7uF 20%	50V
C433	1-126-964-11	ELECT 10uF 20%	50V
C434	1-126-916-11	ELECT 1000uF 20%	6.3V
C435	1-126-964-11	ELECT 10uF 20%	50V
C436	1-164-159-11	CERAMIC 0.1uF	50V
C437	1-164-159-11	CERAMIC 0.1uF	50V
C438	1-126-934-11	ELECT 220uF 20%	10V
C439	1-126-926-11	ELECT 1000uF 20%	10V
C440	1-126-964-11	ELECT 10uF 20%	50V
C472	1-126-933-11	ELECT 100uF 20%	16V
C473	1-162-306-11	CERAMIC 0.01uF 20%	16V
C474	1-162-306-11	CERAMIC 0.01uF 20%	16V
C475	1-126-965-11	ELECT 22uF 20%	50V
C500	1-131-347-00	TANTALUM 1uF 10%	35V
C512	1-164-159-11	CERAMIC 0.1uF	50V
C516	1-164-159-11	CERAMIC 0.1uF	50V
C519	1-162-294-31	CERAMIC 0.001uF 10%	50V
C531	1-162-282-31	CERAMIC 100PF 10%	50V
C533	1-162-282-31	CERAMIC 100PF 10%	50V
C562	1-164-159-11	CERAMIC 0.1uF	50V
C571	1-162-282-31	CERAMIC 100PF 10%	50V
C572	1-162-282-31	CERAMIC 100PF 10%	50V
C573	1-162-282-31	CERAMIC 100PF 10%	50V
C575	1-162-282-31	CERAMIC 100PF 10%	50V
C593	1-162-294-31	CERAMIC 0.001uF 10%	50V
C594	1-162-294-31	CERAMIC 0.001uF 10%	50V
C595	1-162-294-31	CERAMIC 0.001uF 10%	50V
C597	1-162-294-31	CERAMIC 0.001uF 10%	50V
C598	1-164-159-11	CERAMIC 0.1uF	50V
C599	1-164-159-11	CERAMIC 0.1uF	50V
C601	1-162-306-11	CERAMIC 0.01uF 20%	16V
C611	1-164-159-11	CERAMIC 0.1uF	50V

Ref. No.	Part No.	Description	Remark	Ref. No.	Part No.	Description	Remark
C612	1-162-306-11	CERAMIC	0.01uF 20% 16V			< IC >	
C621	1-164-159-11	CERAMIC	0.1uF 50V				
			(US, CND, SP)	IC101	8-759-634-50	IC M5218AL	
C622	1-162-306-11	CERAMIC	0.01uF 20% 16V	IC201	8-759-634-50	IC M5218AL	
			(US, CND, SP)	IC301	8-759-634-50	IC M5218AL	
C623	1-126-963-11	ELECT	4.7uF 20% 50V	IC302	8-759-634-50	IC M5218AL	
				IC310	8-759-633-42	IC M5293L	
C631	1-164-159-11	CERAMIC	0.1uF 50V	IC321	8-759-579-68	IC AK4524	
			(AEP, UK)	IC322	8-759-917-18	IC SN74HCU04AN	
C661	1-164-159-11	CERAMIC	0.1uF 50V	IC431	8-759-525-48	IC LA5632	
C851	1-164-159-11	CERAMIC	0.1uF 50V	IC471	8-759-822-09	IC LB1641	
C852	1-164-159-11	CERAMIC	0.1uF 50V	IC501	8-759-577-38	IC M30624MG-207FP	
			(AEP, UK)	IC601	8-759-233-63	IC TC74HCU04AP	
C853	1-164-159-11	CERAMIC	0.1uF 50V	IC611	8-749-012-70	IC GP1F38R (DIGITAL OPTICAL IN) (AEP, UK)	
			(AEP, UK)	IC611	8-749-012-70	IC GP1F38R (DIGITAL IN OPT1)	(US, CND, SP)
C854	1-164-159-11	CERAMIC	0.1uF 50V				
			(AEP, UK)	IC621	8-749-012-70	IC GP1F38R (DIGITAL IN OPT2)	(US, CND, SP)
C855	1-164-159-11	CERAMIC	0.1uF 50V				
			(AEP, UK)	IC661	8-749-012-69	IC GP1F38T (DIGITAL OUT)	
△C901	1-113-920-11	CERAMIC	0.0022uF 20% 250V			< JACK >	
△C902	1-113-920-11	CERAMIC	0.0022uF 20% 250V	J101	1-784-429-11	JACK, PIN 4P (LINE (ANALOG))	
△C904	1-113-920-11	CERAMIC	0.0022uF 20% 250V	J631	1-784-431-11	JACK, PIN 1P(DIGITAL IN COAXIAL) (AEP, UK)	
			(SP)	J851	1-779-655-21	JACK (SMALL TYPE) (2 GANG) (CONTROL A1)	(AEP, UK)
						< COIL >	
		< CONNECTOR >		L341	1-410-324-11	INDUCTOR	4.7uH
CN341	1-784-418-11	CONNECTOR, FFC (LIF(NON-ZIF) 21P		L342	1-410-324-11	INDUCTOR	4.7uH
CN421	1-779-287-11	CONNECTOR, FFC (LIF(NON-ZIF)) 19P		L343	1-410-324-11	INDUCTOR	4.7uH
CN451	1-568-683-11	PIN, CONNECTOR (PC BAORD) 2P		L345	1-414-747-11	INDUCTOR	0uH
CN501	1-784-417-11	CONNECTOR, FFC(LIF(NON-ZIF) 23P		L346	1-414-793-21	FERRITE	0uH
* CN502	1-568-934-11	PIN, CONNECTOR 7P					
				L348	1-414-747-11	INDUCTOR	0uH
CN503	1-506-469-11	PIN, CONNECTOR 4P		L349	1-410-397-21	FERRITE BEAD INDUCTOR	
CN504	1-506-469-11	PIN, CONNECTOR 4P		L350	1-410-397-21	FERRITE BEAD INDUCTOR	
* CN901	1-580-230-11	PIN, CONNECTOR (PC BOARD) 2P		L411	1-414-747-11	INDUCTOR	0uH
				L412	1-414-747-11	INDUCTOR	0uH
		< DIODE >					
D341	8-719-911-19	DIODE 1SS119		L611	1-410-509-11	INDUCTOR	10uH
D342	8-719-911-19	DIODE 1SS119		L661	1-410-509-11	INDUCTOR	10uH
D343	8-719-911-19	DIODE 1SS119				< LINE FILTER >	
D344	8-719-911-19	DIODE 1SS119		△LF901	1-424-485-11	FILTER, LINE	
D411	8-719-024-99	DIODE 11ES2-NTA2B				< TRANSISTOR >	
				Q187	8-729-044-08	TRANSISTOR	2SD1915 (F)-T (TA). SO
D412	8-719-024-99	DIODE 11ES2-NTA2B		Q287	8-729-044-08	TRANSISTOR	2SD1915 (F)-T (TA). SO
D413	8-719-024-99	DIODE 11ES2-NTA2B		Q306	8-729-422-57	TRANSISTOR	UN4111
D414	8-719-024-99	DIODE 11ES2-NTA2B		Q401	8-729-422-57	TRANSISTOR	UN4111
D415	8-719-024-99	DIODE 11ES2-NTA2B		Q402	8-729-422-57	TRANSISTOR	UN4111
D416	8-719-024-99	DIODE 11ES2-NTA2B					
				Q403	8-729-040-19	TRANSISTOR	RT1N137L-TP
D421	8-719-024-99	DIODE 11ES2-NTA2B		Q404	8-729-040-19	TRANSISTOR	RT1N137L-TP
D423	8-719-933-65	DIODE HZS11A3LTA		Q471	8-729-900-80	TRANSISTOR	DTC114ES
D431	8-719-911-19	DIODE 1SS119		Q472	8-729-119-76	TRANSISTOR	2SA1175-HFE
D432	8-719-911-19	DIODE 1SS119		Q851	8-729-620-05	TRANSISTOR	2SC2603-EF (AEP, UK)
D439	8-719-911-19	DIODE 1SS119				< RESISTOR >	
				R21	1-249-437-11	CARBON	47K 5% 1/4W
D451	8-719-024-99	DIODE 11ES2-NTA2B		R22	1-249-437-11	CARBON	47K 5% 1/4W
D452	8-719-210-21	DIODE 11EQS04		R81	1-249-429-11	CARBON	10K 5% 1/4W
D453	8-719-911-19	DIODE 1SS119				(US, CND, SP)	
D454	8-719-911-19	DIODE 1SS119					
D471	8-719-933-39	DIODE HZS6C1L					
D851	8-719-911-19	DIODE 1SS119 (AEP, UK)					
		< GROUND PLATE >					
* EP401	4-962-200-01	PLATE (TR), GROUND					

The components identified by mark △ or dotted line with △ are critical for safety. Replace only with part number specified.	Les composants identifiés par une marque △ sont critiques pour la sécurité. Ne les remplacer que par une pièce portant le numéro spécifié.
---	--

**MAIN**

Ref. No.	Part No.	Description		Remark	Ref. No.	Part No.	Description		Remark
R82	1-249-429-11	CARBON	10K	5%	1/4W	R421	1-249-385-11	CARBON	2.2 5% 1/6W
					(AEP, UK)	R422	1-249-433-11	CARBON	22K 5% 1/4W
R83	1-249-429-11	CARBON	10K	5%	1/4W	R424	1-249-441-11	CARBON	100K 5% 1/4W
R84	1-249-429-11	CARBON	10K	5%	1/4W	R425	1-249-441-11	CARBON	100K 5% 1/4W
R91	1-249-429-11	CARBON	10K	5%	1/4W	R426	1-249-441-11	CARBON	100K 5% 1/4W
R92	1-249-429-11	CARBON	10K	5%	1/4W	R427	1-249-429-11	CARBON	10K 5% 1/4W
R93	1-249-429-11	CARBON	10K	5%	1/4W	R431	1-247-807-31	CARBON	100 5% 1/4W
R101	1-249-435-11	CARBON	33K	5%	1/4W	R432	1-249-416-11	CARBON	820 5% 1/4W
R102	1-249-431-11	CARBON	15K	5%	1/4W	R433	1-249-412-11	CARBON	390 5% 1/4W
R103	1-247-887-00	CARBON	220K	5%	1/4W	R434	1-249-429-11	CARBON	10K 5% 1/4W
R104	1-260-091-11	CARBON	220	5%	1/2W	R435	1-249-441-11	CARBON	100K 5% 1/4W
R106	1-249-401-11	CARBON	47	5%	1/4W	R439	1-249-433-11	CARBON	22K 5% 1/4W
R161	1-249-429-11	CARBON	10K	5%	1/4W	R440	1-249-417-11	CARBON	1K 5% 1/4W
R162	1-249-429-11	CARBON	10K	5%	1/4W	R451	1-247-807-31	CARBON	100 5% 1/4W
R163	1-249-429-11	CARBON	10K	5%	1/4W	R472	1-249-434-11	CARBON	27K 5% 1/4W
R164	1-249-429-11	CARBON	10K	5%	1/4W	R473	1-249-429-11	CARBON	10K 5% 1/4W
R165	1-249-433-11	CARBON	22K	5%	1/4W	R474	1-249-429-11	CARBON	10K 5% 1/4W
R166	1-249-433-11	CARBON	22K	5%	1/4W	R475	1-249-417-11	CARBON	1K 5% 1/4W
R172	1-249-419-11	CARBON	1.5K	5%	1/4W	R500	1-249-429-11	CARBON	10K 5% 1/4W
R173	1-249-419-11	CARBON	1.5K	5%	1/4W	R513	1-247-903-00	CARBON	1M 5% 1/4W
R181	1-249-415-11	CARBON	680	5%	1/4W	R519	1-249-429-11	CARBON	10K 5% 1/4W
R182	1-249-441-11	CARBON	100K	5%	1/4W	R521	1-249-429-11	CARBON	10K 5% 1/4W
R183	1-249-411-11	CARBON	330	5%	1/4W	R522	1-249-429-11	CARBON	10K 5% 1/4W
R187	1-249-429-11	CARBON	10K	5%	1/4W	R531	1-249-429-11	CARBON	10K 5% 1/4W
R191	1-249-401-11	CARBON	47	5%	1/4W	R532	1-249-429-11	CARBON	10K 5% 1/4W
R192	1-249-401-11	CARBON	47	5%	1/4W	R533	1-249-429-11	CARBON	10K 5% 1/4W
R201	1-249-435-11	CARBON	33K	5%	1/4W	R548	1-249-429-11	CARBON	10K 5% 1/4W
R202	1-249-431-11	CARBON	15K	5%	1/4W	R549	1-249-429-11	CARBON	10K 5% 1/4W
R203	1-247-887-00	CARBON	220K	5%	1/4W	R550	1-249-429-11	CARBON	10K 5% 1/4W
R204	1-260-091-11	CARBON	220	5%	1/2W	R551	1-249-429-11	CARBON	10K 5% 1/4W
R206	1-249-401-11	CARBON	47	5%	1/4W	R553	1-249-429-11	CARBON	10K 5% 1/4W
R261	1-249-429-11	CARBON	10K	5%	1/4W	R559	1-249-429-11	CARBON	10K 5% 1/4W
R262	1-249-429-11	CARBON	10K	5%	1/4W	R560	1-249-429-11	CARBON	10K 5% 1/4W
R263	1-249-429-11	CARBON	10K	5%	1/4W	R561	1-249-441-11	CARBON	100K 5% 1/4W
R264	1-249-429-11	CARBON	10K	5%	1/4W	R566	1-249-441-11	CARBON	100K 5% 1/4W
R265	1-249-433-11	CARBON	22K	5%	1/4W	R568	1-249-429-11	CARBON	10K 5% 1/4W
R266	1-249-433-11	CARBON	22K	5%	1/4W	R569	1-249-429-11	CARBON	10K 5% 1/4W
R272	1-249-419-11	CARBON	1.5K	5%	1/4W	R573	1-249-429-11	CARBON	10K 5% 1/4W
R273	1-249-419-11	CARBON	1.5K	5%	1/4W	R574	1-249-429-11	CARBON	10K 5% 1/4W
R281	1-249-415-11	CARBON	680	5%	1/4W	R575	1-249-429-11	CARBON	10K 5% 1/4W
R282	1-249-441-11	CARBON	100K	5%	1/4W	R577	1-249-429-11	CARBON	10K 5% 1/4W
R283	1-249-411-11	CARBON	330	5%	1/4W	R581	1-249-429-11	CARBON	10K 5% 1/4W
R287	1-249-429-11	CARBON	10K	5%	1/4W				(AEP, UK)
R291	1-249-401-11	CARBON	47	5%	1/4W	R582	1-249-429-11	CARBON	10K 5% 1/4W
R292	1-249-401-11	CARBON	47	5%	1/4W				(US, CND, SP)
R341	1-249-424-11	CARBON	3.9K	5%	1/4W	R589	1-249-429-11	CARBON	10K 5% 1/4W
R342	1-247-807-31	CARBON	100	5%	1/4W	R591	1-249-429-11	CARBON	10K 5% 1/4W
R343	1-249-413-11	CARBON	470	5%	1/4W	R593	1-249-429-11	CARBON	10K 5% 1/4W
R344	1-247-807-31	CARBON	100	5%	1/4W	R594	1-249-429-11	CARBON	10K 5% 1/4W
R345	1-247-807-31	CARBON	100	5%	1/4W	R595	1-249-429-11	CARBON	10K 5% 1/4W
R346	1-247-807-31	CARBON	100	5%	1/4W	R596	1-249-429-11	CARBON	10K 5% 1/4W
R347	1-249-401-11	CARBON	47	5%	1/4W	R597	1-249-429-11	CARBON	10K 5% 1/4W
R348	1-249-401-11	CARBON	47	5%	1/4W	R598	1-249-429-11	CARBON	10K 5% 1/4W
R349	1-249-401-11	CARBON	47	5%	1/4W	R599	1-249-429-11	CARBON	10K 5% 1/4W
R350	1-249-401-11	CARBON	47	5%	1/4W	R613	1-247-895-00	CARBON	470K 5% 1/4W
R383	1-247-883-00	CARBON	150K	5%	1/4W	R614	1-249-437-11	CARBON	47K 5% 1/4W
R391	1-260-091-11	CARBON	220	5%	1/2W	R623	1-247-895-00	CARBON	470K 5% 1/4W
R392	1-260-091-11	CARBON	220	5%	1/2W				



