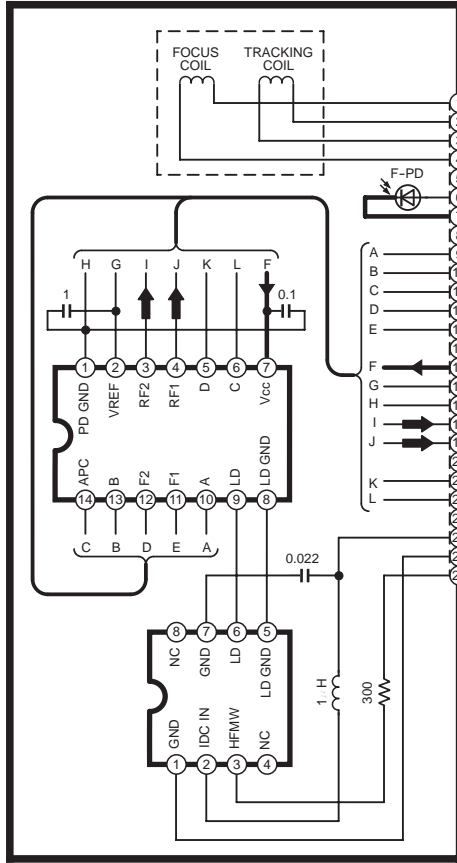


# SCHEMATIC DIAGRAM-1

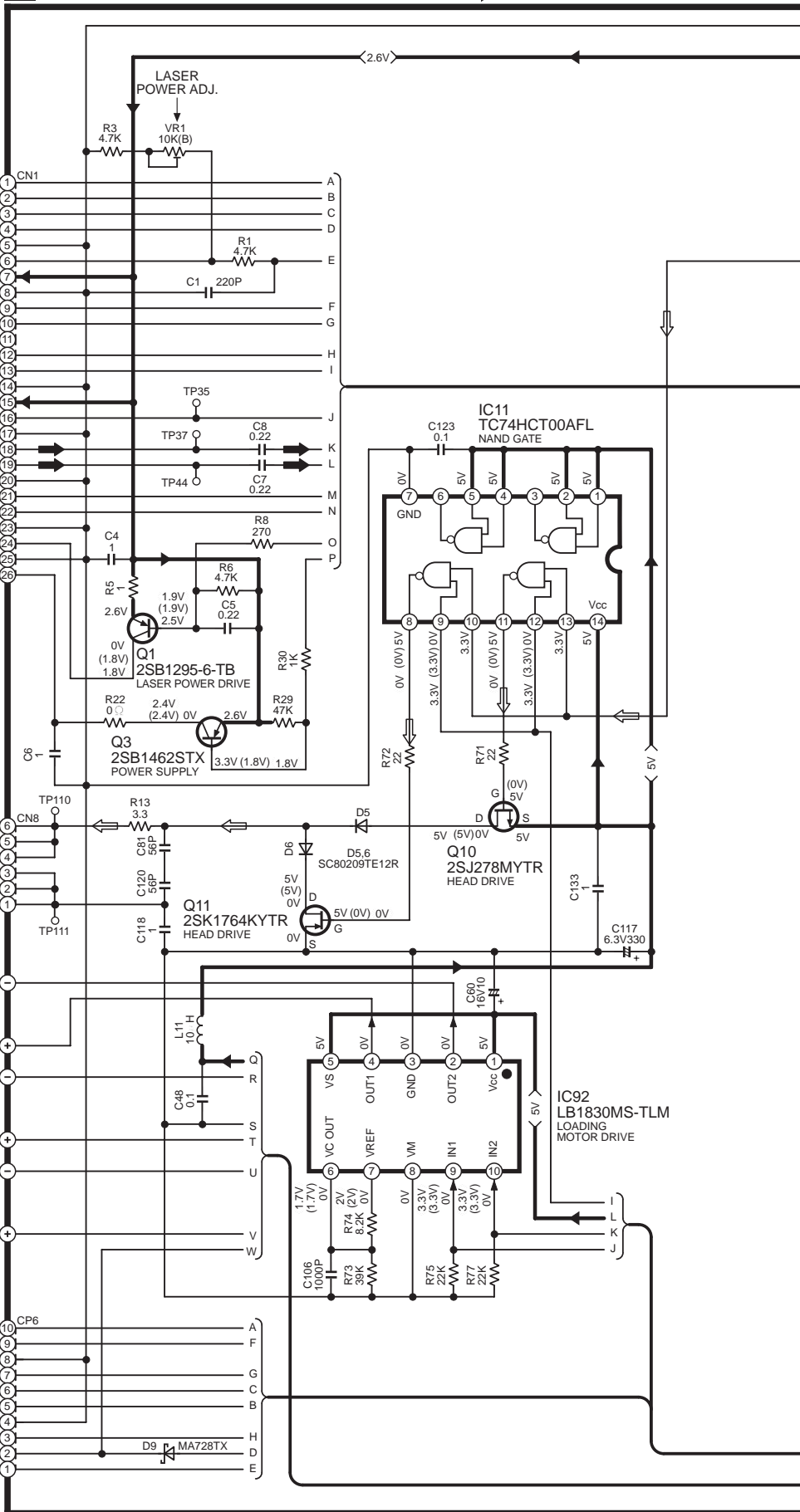
Note:

The number which noted at the connectors on the schematic diagram as "SCHEMATIC DIAGRAM-1" or "SCHEMATIC DIAGRAM-2" indicates the schematic diagram serial number located on the left corner in the schematic diagram.

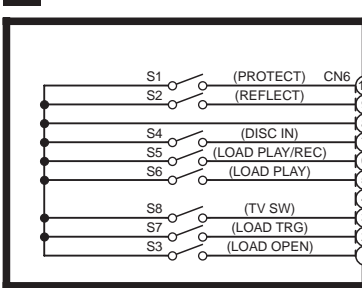
▲ MD OPTICAL PICKUP



# A MD SERVO CIRCUIT



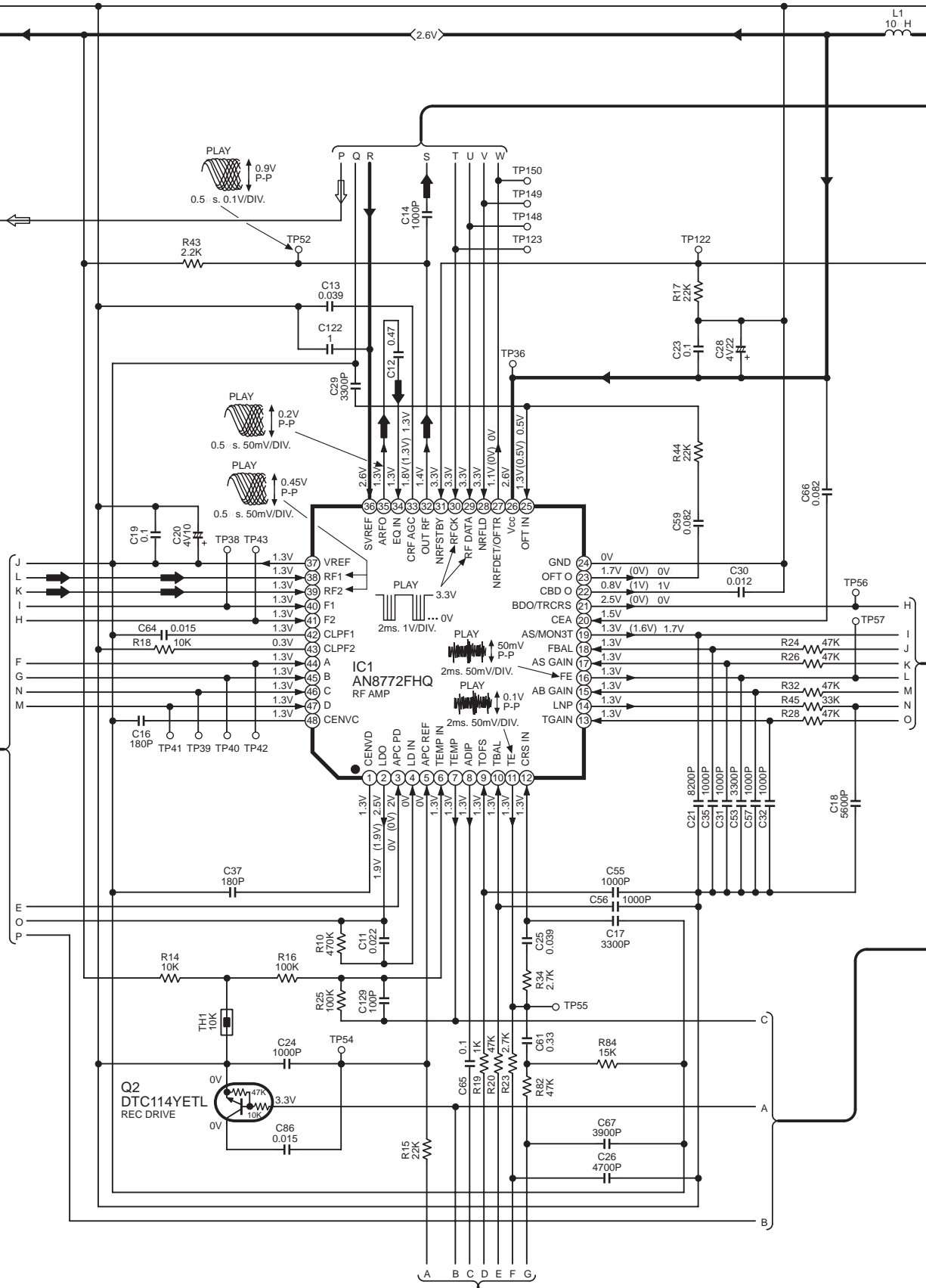
# B SWITCH CIRCUIT



→ : POSITIVE VOLTAGE LINE  
 ⇨ : PLAYBACK SIGNAL LINE  
 ⇩ : RECORDING SIGNAL LINE

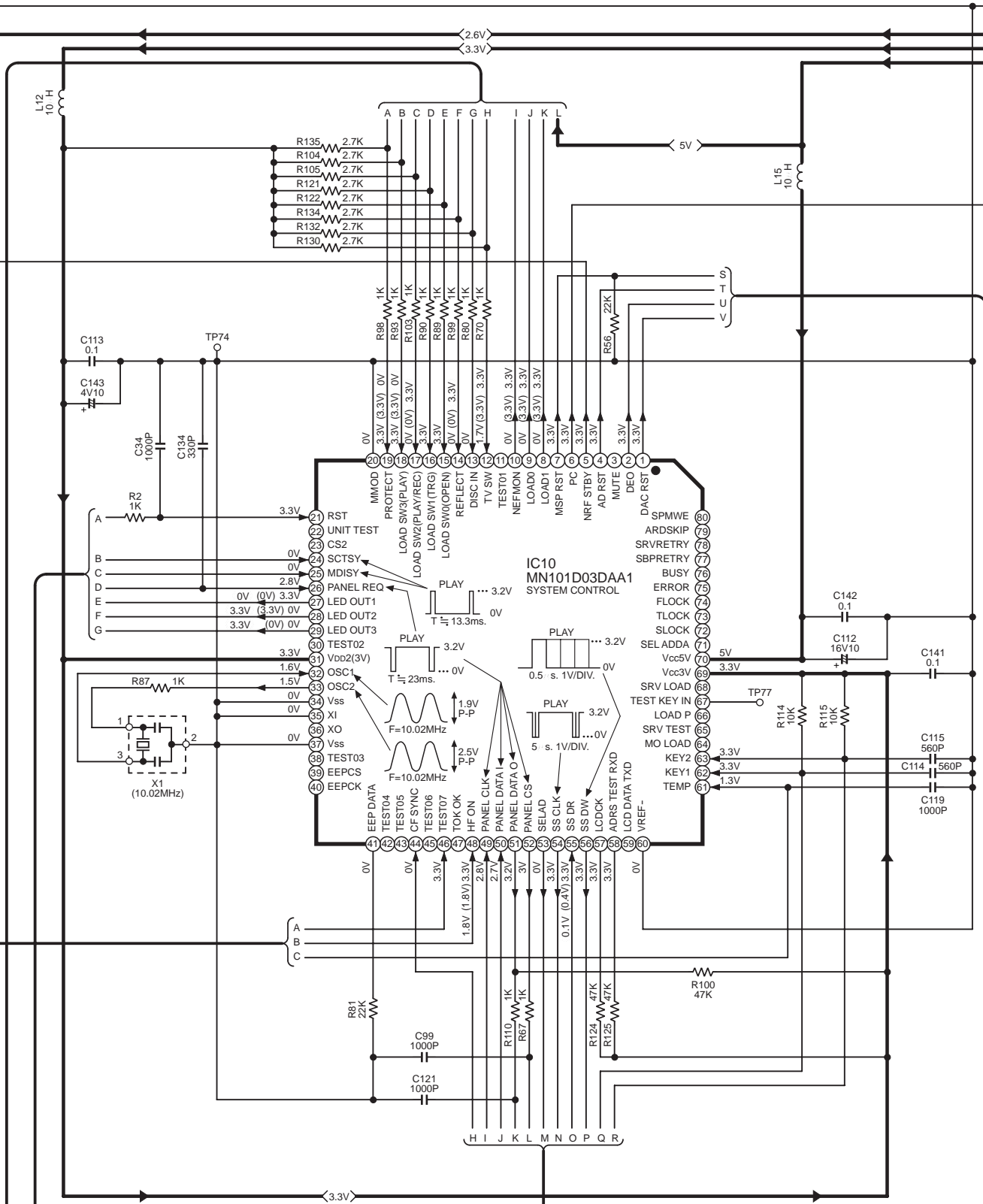
# SCHEMATIC DIAGRAM-2

➔ : POSITIVE VOLTAGE LINE   ➡ : PLAYBACK SIGNAL LINE   ⇨ : RECORDING SIGNAL LINE



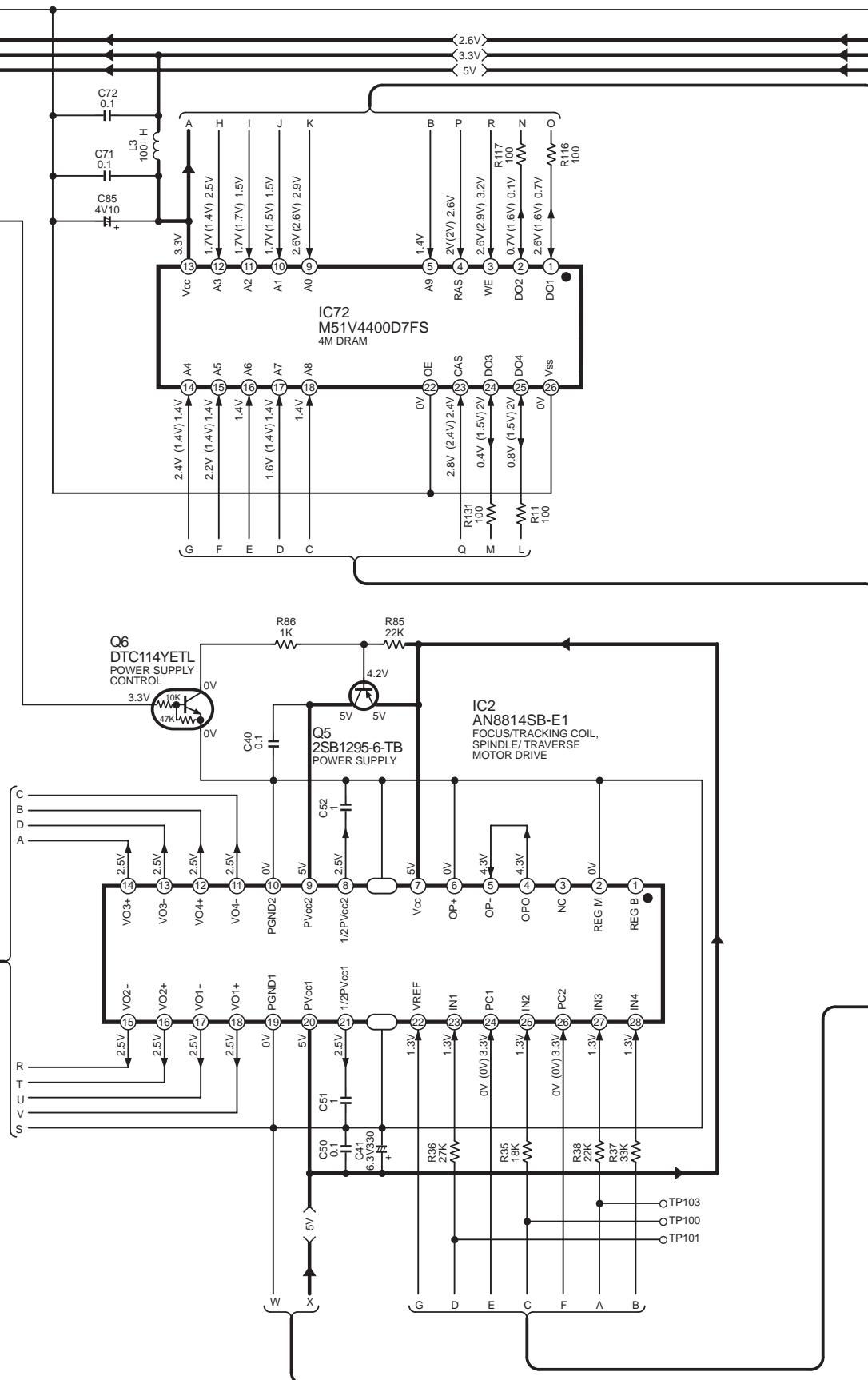
**SCHMATIC DIAGRAM-3**  
**A MD SERVO CIRCUIT**

➔ : POSITIVE VOLTAGE LINE



SCHEMATIC DIAGRAM-4

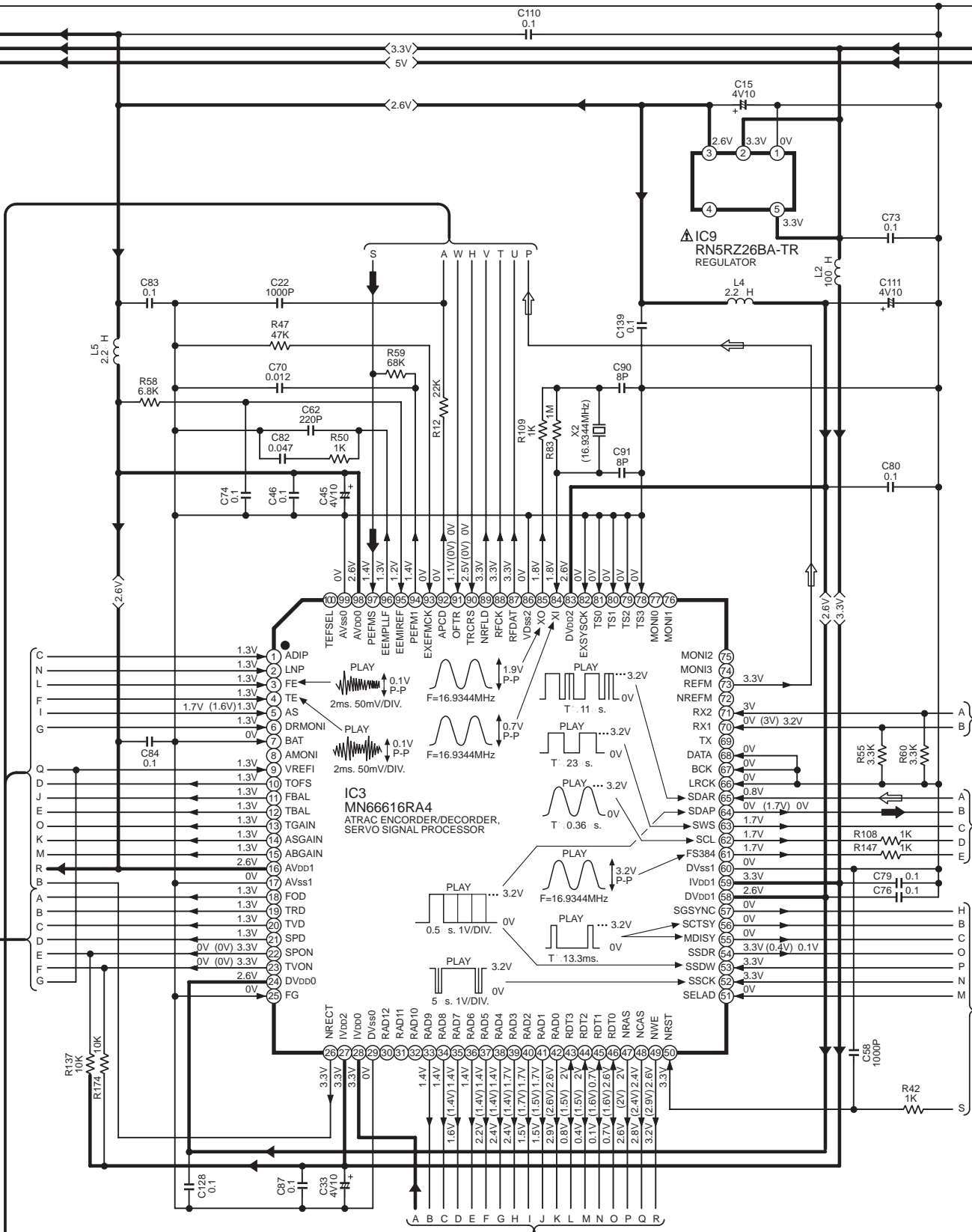
→ : POSITIVE VOLTAGE LINE



# SCHEMATIC DIAGRAM-5

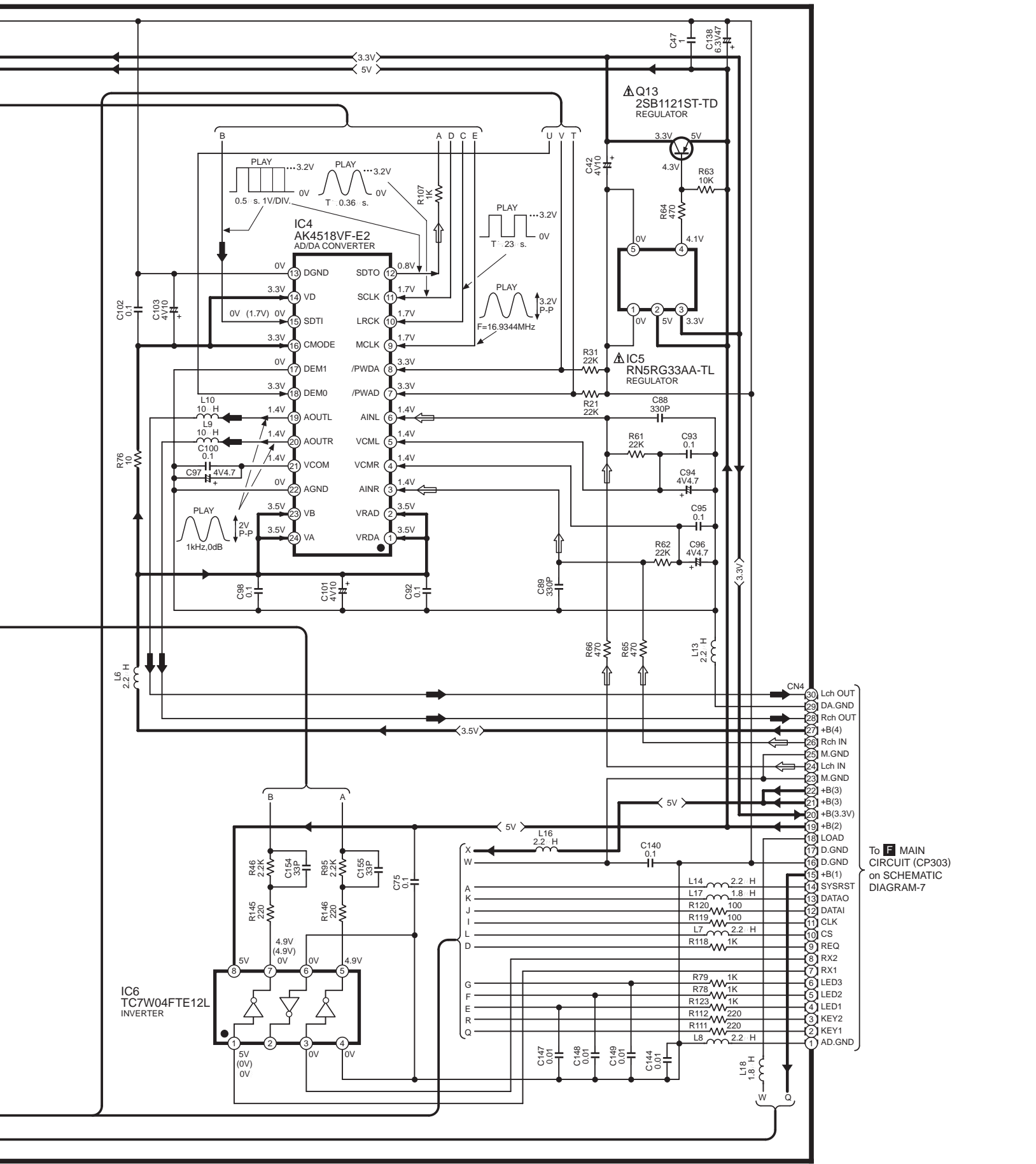
## A MD SERVO CIRCUIT

: POSITIVE VOLTAGE LINE   
  : PLAYBACK SIGNAL LINE   
  : RECORDING SIGNAL LINE



# SCHEMATIC DIAGRAM-6

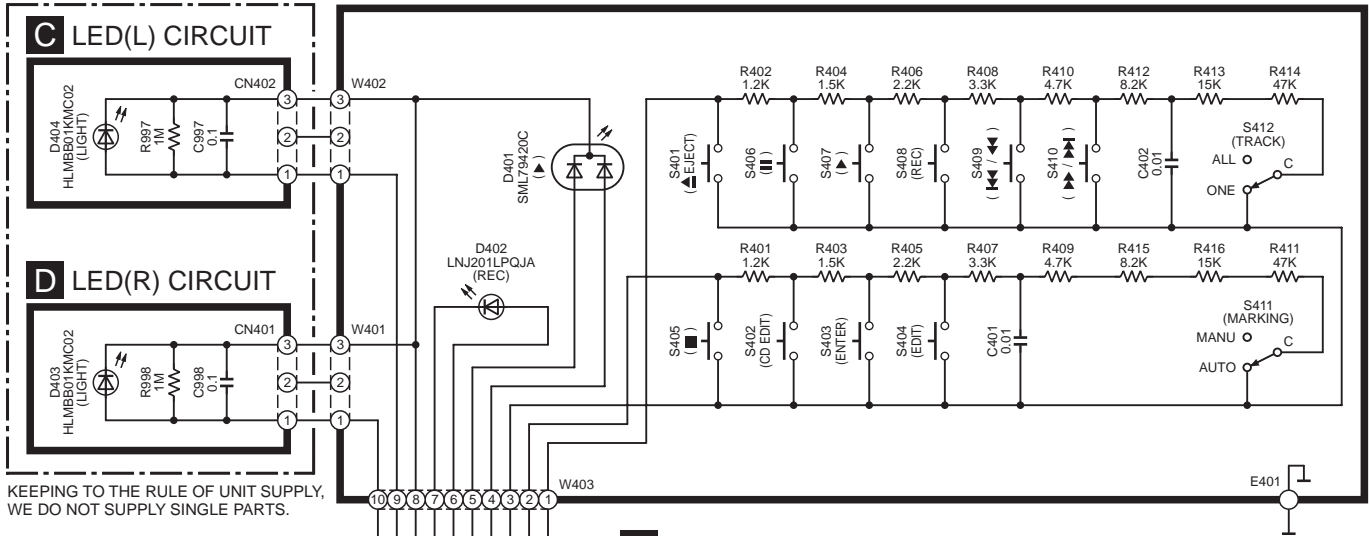
➔ : POSITIVE VOLTAGE LINE   ➡ : PLAYBACK SIGNAL LINE   ⇨ : RECORDING SIGNAL LINE



To **F** MAIN CIRCUIT (CP303) on SCHEMATIC DIAGRAM-7

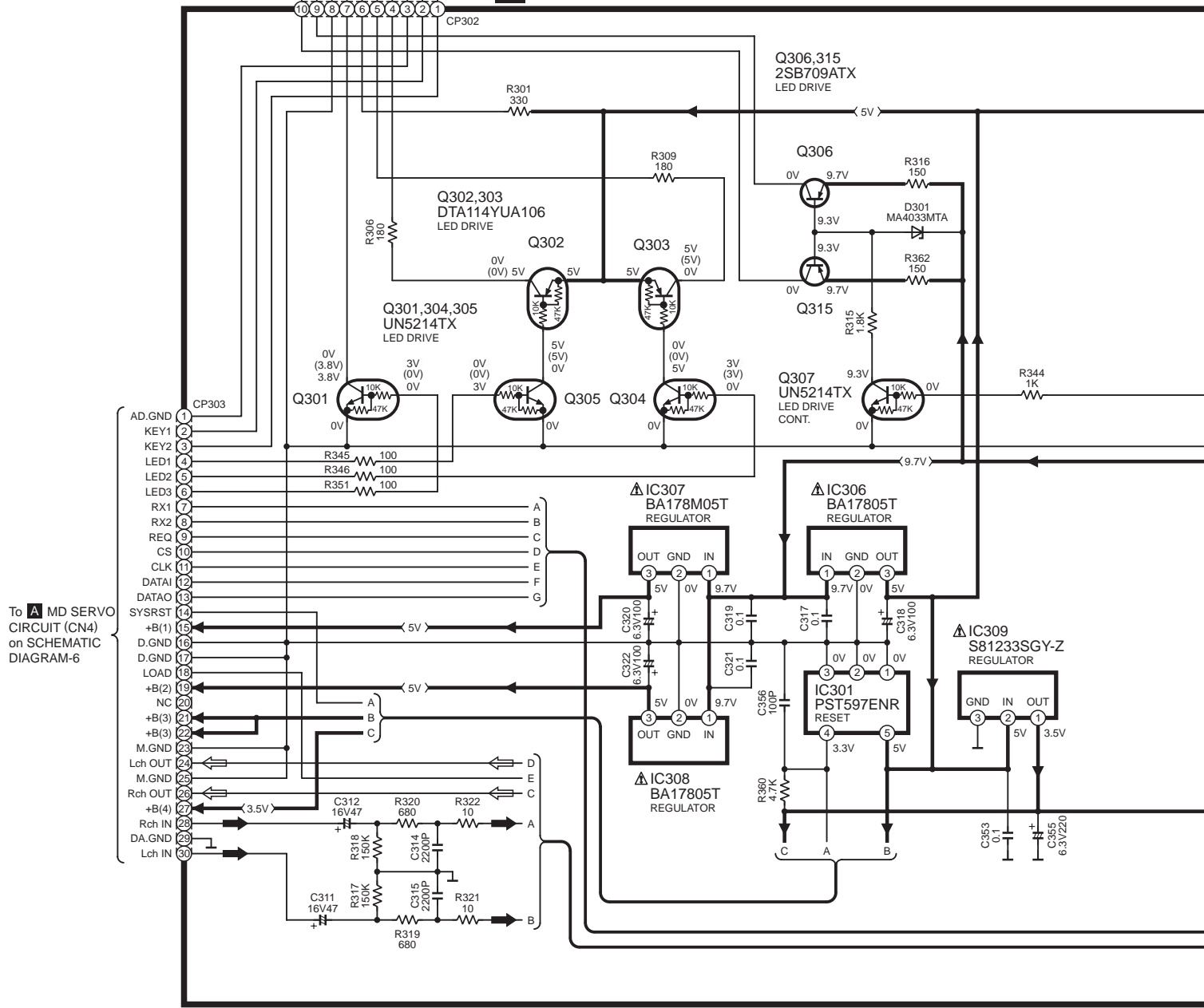
**E** OPERATION CIRCUIT

→ : POSITIVE VOLTAGE LINE  
 ⇨ : PLAYBACK SIGNAL LINE  
 ⇩ : RECORDING SIGNAL LINE



KEEPING TO THE RULE OF UNIT SUPPLY,  
 WE DO NOT SUPPLY SINGLE PARTS.

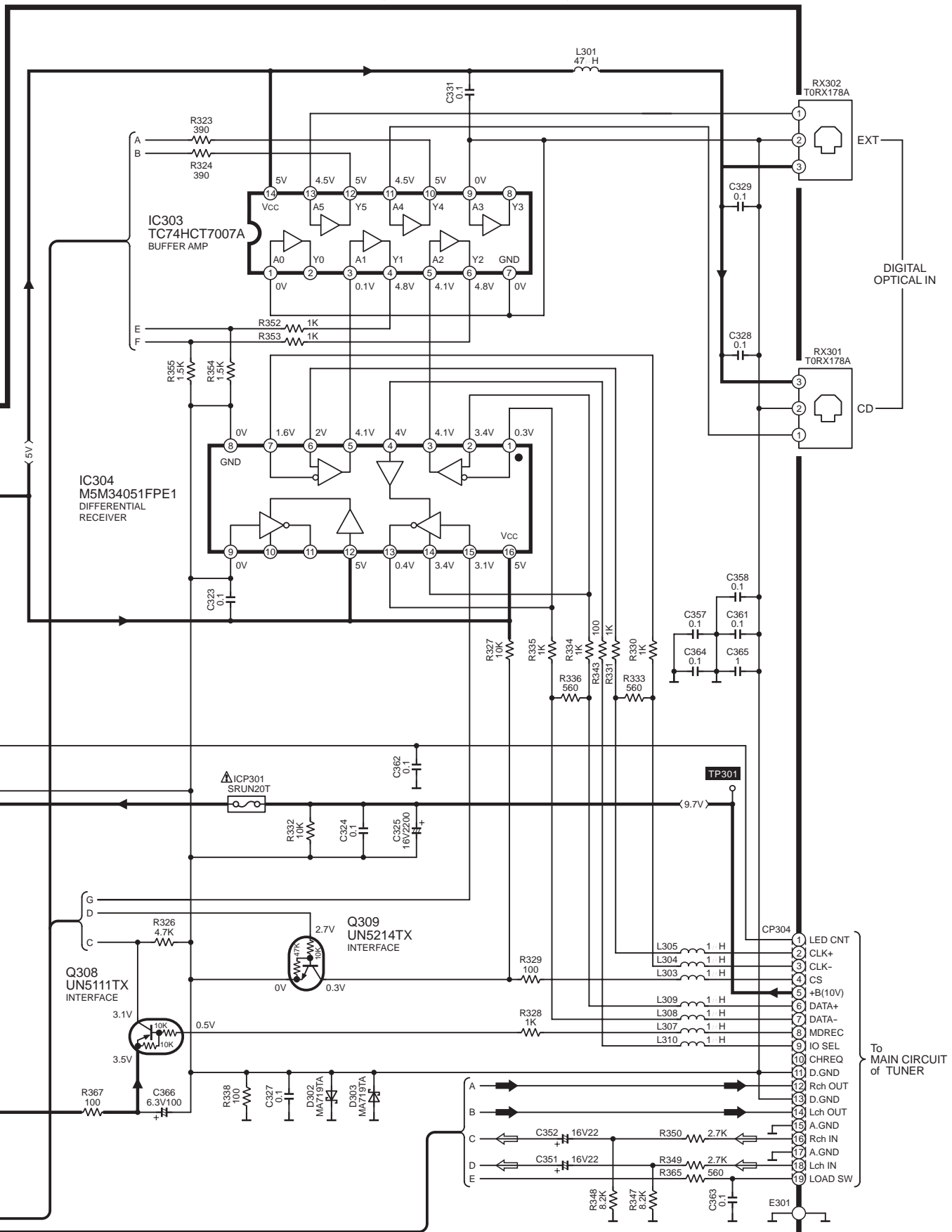
**F** MAIN CIRCUIT



To **A** MD SERVO  
 CIRCUIT (CN4)  
 on SCHEMATIC  
 DIAGRAM-6

# SCHEMATIC DIAGRAM-8

: POSITIVE VOLTAGE LINE  
 ▶ : PLAYBACK SIGNAL LINE  
 ⇨ : RECORDING SIGNAL LINE



To MAIN CIRCUIT of TUNER