

MODEL NO.	CSD-MD5
SUBJECT	Sound Distortion

REF.No. :G - A0 - 033 - E0

DATE :30. AUG. 2000

<CONTENTS>

Please take the following countermeasure when there is a complaint such as "the sound gets distorted", or "noise is reproduced", etc., when the sound volume control level is 20 or more (maximum 30).

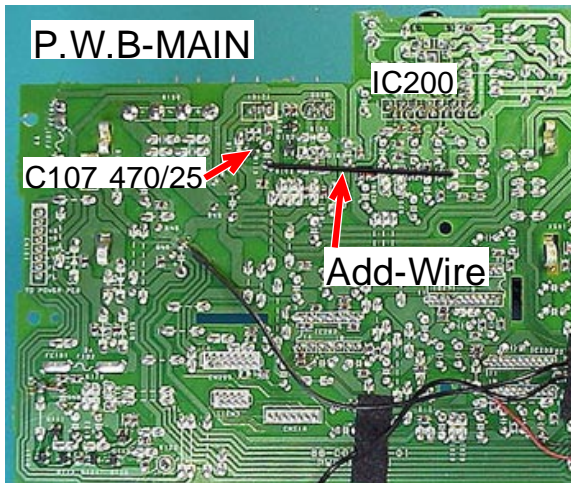
<SYMPTOM>

This occurs when a CD or an MD with a high recording level of the low frequency range is played back under the following conditions:

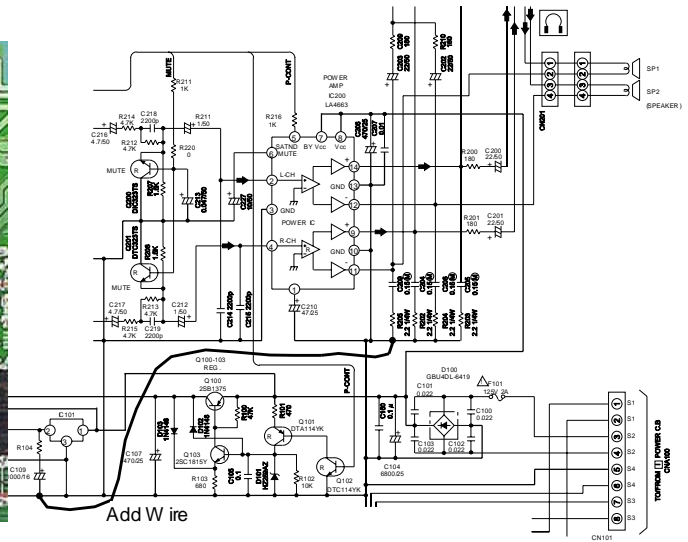
- T-BASS - MAX
- G-EQ - ROCK or JAZZ
- VOLUME - 20 or more

<COUNTERMEASURE>

Connect a wire between the pins 10, 13 (GND) of the POWER IC (IC200: LA4663) and the GND terminal of the capacitor C109 (1000μF/16V) in the main P.W.B.



MAIN P.W.B Pattern Surface



Circuit diagram

Ref.	Parts Code	Description	Remarks
-	87-610-063-310	B0-6-3	-

G	R	Code No.	Access Code	Modified Ser. No.	Parts Schedule
-	-	-	-	-	-