

# MDX-C7900/C7900R

## SERVICE MANUAL

Ver 1.1 2001.08

US Model  
Canadian Model  
E Model  
MDX-C7900  
AEP Model  
UK Model  
MDX-C7900R



Refer to RM-X4S Service Manual (9-925-698-00) issued previously for information of remote commander (RM-X4S) supplied with this set.

Photo: MDX-C7900

Model Name Using Similar Mechanism	NEW
Base Mechanism Type	MG-164KT-138
Optical Pick-Up Name	KMS-241A/J2N

### SPECIFICATIONS

#### AUDIO POWER SPECIFICATIONS (US model)

##### POWER OUTPUT AND TOTAL HARMONIC DISTORTION

17 watts per channel minimum continuous average power into 4 ohms, 4 channels driven from 20 Hz to 20 kHz with no more than 1% total harmonic distortion.

#### Other specifications

##### MD player section

Signal-to-noise ratio	90 dB
Frequency response	10 – 20,000 Hz
Wow and flutter	Below measurable limit
Laser Diode Properties	
Material	CaAlAs
Wavelength	780 nm
Emission Duration	Continuous
Laser output power	Less than 44.6 W*

\* This output is the value measured at a distance of 200 mm from the objective lens surface on the Optical Pick-up Block.

Antenna terminal	External antenna connector
Intermediate frequency	10.7 MHz
Usable sensitivity	10 dBf
Selectivity	75 dB at 400 kHz
Signal-to-noise ratio	62 dB (stereo), 65 dB (mono)
Harmonic distortion at 1 kHz	0.9 % (stereo), 0.5 % (mono)
Separation	35 dB at 1 kHz
Frequency response	30 – 15,000 Hz
Capture ratio	2 dB

– Continued on next page –

#### Tuner section

##### FM

Tuning range	87.5 – 107.9 MHz (C7900: US, Canadian) FM tuning interval: 50 kHz/200 kHz switchable 87.5 – 108.0 MHz (at 50 kHz step) 87.5 – 107.9 MHz (at 200 kHz step) (C7900: E) 87.5 – 108.0 MHz (C7900R)
--------------	---

MDX-C7900  
FM/AM MINIDISC PLAYER

MDX-C7900R  
FM/MW/LW MINIDISC PLAYER

9-925-787-12  
2001H0500-1  
© 2001.8

Sony Corporation  
e Vehicle Company  
Shinagawa Tec Service Manual Production Group

SONY®

<b>AM (MDX-C7900)</b>	
Tuning range	530 – 1,710 kHz (C7900: US, Canadian) AM tuning interval: 9 kHz/10 kHz switchable 531 – 1,602 kHz (at 9 kHz step) 530 – 1,710 kHz (at 10 kHz step) (C7900: E)
Antenna terminal	External antenna connector
Intermediate frequency	10.71 MHz/450 kHz
Sensitivity	30 $\mu$ V
<b>MW/LW (MDX-C7900R)</b>	
Tuning range	MW: 531 – 1,602 kHz LW: 153 – 281 kHz
Aerial terminal	External aerial connector
Intermediate frequency	10.71 MHz/450 kHz
Sensitivity	MW: 30 $\mu$ V LW: 50 $\mu$ V

**Power amplifier section**

Outputs	Speaker outputs (sure seal connectors)
Speaker impedance	4 – 8 ohms
Maximum power output	40 W $\times$ 4 (at 4 ohms)

**General**

Outputs	Line outputs (2) Power antenna relay control lead Power amplifier control lead Telephone ATT control lead (C7900) Illumination control lead (C7900)
Tone controls	Bass $\pm$ 8 dB at 100 Hz Treble $\pm$ 8 dB at 10 kHz
Power requirements	12 V DC car battery (negative ground)
Dimensions	Approx. 178 $\times$ 50 $\times$ 184 mm (7 <sup>1</sup> / <sub>8</sub> $\times$ 2 $\times$ 7 <sup>1</sup> / <sub>4</sub> ) (w/h/d)
Mounting dimensions	Approx. 182 $\times$ 53 $\times$ 162 mm (7 <sup>1</sup> / <sub>4</sub> $\times$ 2 <sup>1</sup> / <sub>8</sub> $\times$ 6 <sup>1</sup> / <sub>2</sub> ) (w/h/d)
Mass	Approx. 1.2 kg (2 lb 10 oz)
Supplied accessories	Parts for installation and connections (1 set) Front panel case (1) Rotary commander RM-X45 (1)

*U.S. and foreign patents licensed from Dolby laboratories Licensing Corporation.*

*Design and specifications are subject to change without notice.*

**TABLE OF CONTENTS**

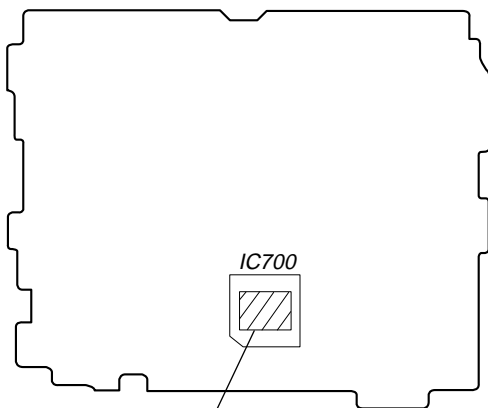
<b>1. SERVICE NOTE</b> .....	3
<b>2. GENERAL</b>	
Location of Controls (MDX-C7900) .....	4
Location of Controls (MDX-C7900R) .....	5
Resetting the Unit .....	6
Detaching the Front Panel .....	6
Preparing the Rotary Commander .....	6
Setting the Clock .....	6
Installation (US, Canadian) .....	7
Installation (AEP, UK, E) .....	8
Connections .....	10
<b>3. DISASSEMBLY</b> .....	13
<b>4. ELECTRICAL ADJUSTMENTS</b>	
Test Mode .....	18
MD Section .....	18
Tuner Section .....	18
<b>5. DIAGRAMS</b>	
5-1. Block Diagram – SERVO Section – .....	21
5-2. Block Diagram – MAIN Section – .....	23
5-3. Block Diagram – DISPLAY/KEY CONTROL Section – .....	25
5-4. Block Diagram – BUS CONTROL/POWER SUPPLY Section – .....	27
5-5. Printed Wiring Boards – MECHANISM DECK Section – .....	29
5-6. Schematic Diagram – MECHANISM DECK Section – .....	31
5-7. Schematic Diagram – MAIN Section – .....	35
5-8. Printed Wiring Board – MAIN Section – .....	39
5-9. Printed Wiring Board – PANEL Section – .....	43
5-10. Schematic Diagram – PANEL Section – .....	45
5-11. IC Pin Function Description .....	55
<b>6. EXPLODED VIEWS</b> .....	64
<b>7. ELECTRICAL PARTS LIST</b> .....	68

# SECTION 1

## SERVICE NOTE

### • Type A/B Discrimination

[MAIN BOARD] (Component Side)



MB90574PFV-G-113-BND (C7900R: Type A)  
MB90574PFV-G-114-BND (C7900: Type A)  
MB90F574PFV-G-113 (C7900R: Type B)  
MB90F574PFV-G-114 (C7900: Type B)

### Flexible Circuit Board Repairing

- Keep the temperature of the soldering iron around 270 °C during repairing.
- Do not touch the soldering iron on the same conductor of the circuit board (within 3 times).
- Be careful not to apply force on the conductor when soldering or unsoldering.

### Notes on chip component replacement

- Never reuse a disconnected chip component.
- Notice that the minus side of a tantalum capacitor may be damaged by heat.

### CAUTION

Use of controls or adjustments or performance of procedures other than those specified herein may result in hazardous radiation exposure.

### SAFETY-RELATED COMPONENT WARNING!!

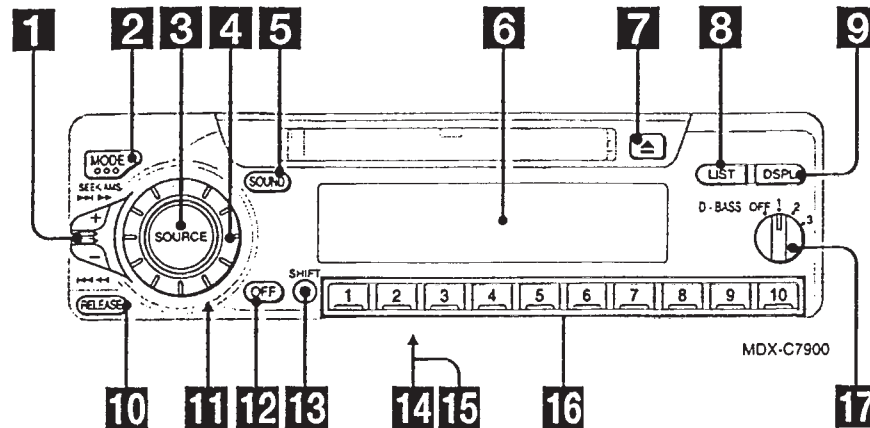
COMPONENTS IDENTIFIED BY MARK  $\triangle$  OR DOTTED LINE WITH MARK  $\triangle$  ON THE SCHEMATIC DIAGRAMS AND IN THE PARTS LIST ARE CRITICAL TO SAFE OPERATION. REPLACE THESE COMPONENTS WITH SONY PARTS WHOSE PART NUMBERS APPEAR AS SHOWN IN THIS MANUAL OR IN SUPPLEMENTS PUBLISHED BY SONY.

### ATTENTION AU COMPOSANT AYANT RAPPORT À LA SÉCURITÉ!

LES COMPOSANTS IDENTIFIÉS PAR UNE MARQUE  $\triangle$  SUR LES DIAGRAMMES SCHÉMATIQUES ET LA LISTE DES PIÈCES SONT CRITIQUES POUR LA SÉCURITÉ DE FONCTIONNEMENT. NE REMPLACER CES COMPOSANTS QUE PAR DES PIÈCES SONY DONT LES NUMÉROS SONT DONNÉS DANS CE MANUEL OU DANS LES SUPPLÉMENTS PUBLIÉS PAR SONY.

## SECTION 2 GENERAL

### Location of controls (MDX-C7900)

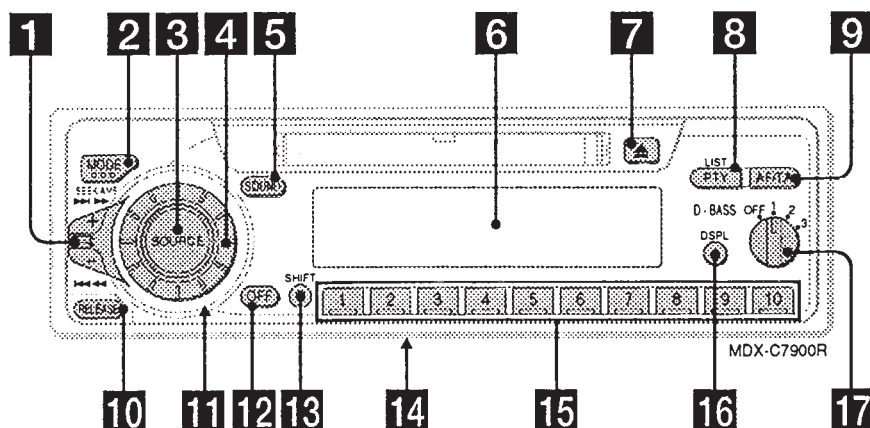


EN

Refer to the pages for details.

- 1** SEEK/AMS (seek/Automatic Music Sensor/manual search) control  
7, 9, 10, 14, 17
- 2** MODE (band/unit select) 9, 14
- 3** SOURCE (source select) button  
6, 9, 14
- 4** Dial (volume/bass/treble/left-right/  
front-rear control) 6, 10, 11, 12, 16
- 5** SOUND button 12
- 6** Display window
- 7** ▲ (eject) button 6
- 8** LIST button  
Disc Memo 16  
List-up 11, 16  
Station Memo 10, 11
- 9** DSPL (display mode change) button  
7, 10, 11, 14, 16, 17
- 10** RELEASE (front panel release) button  
5, 19
- 11** Reset button (located on the front side  
of the unit hidden by the front panel) 5
- 12** OFF button 5, 6
- 13** SHIFT button  
PLAY MODE 8, 9, 10, 15, 17  
REP 8, 15  
SET UP 6, 7, 13, 14  
SHUF 8, 15
- 14** POWER SELECT switch (located on the  
bottom of the unit)  
See "POWER SELECT switch" in the  
Installation/Connections manual.
- 15** Frequency Select switch (located on the  
bottom of the unit) (E Model)  
See "Frequency Select switch" in the  
Installation/Connections manual.
- 16** During radio reception:  
Number buttons 9  
During CD/MD playback:  
Direct disc selection buttons 14
- 17** D-BASS dial 13

## Location of controls (MDX-C7900R)



EN

Refer to the pages for details.

- 1** SEEK/AMS (seek/Automatic Music Sensor/manual search) control 7, 9, 10, 12, 14, 19, 22
- 2** MODE (band/unit select) button 9, 10, 18, 21
- 3** SOURCE (source select) button 6, 7, 9, 10, 18, 19, 21
- 4** Dial (volume/bass/treble/left-right/front-rear) 6, 17, 20, 21
- 5** SOUND button 17
- 6** Display window
- 7** ▲ (eject) button 6
- 8** PTY/LIST button  
Disc Memo 20, 21  
List-up 21  
RDS Programme 14
- 9** AF/TA button 11, 12, 13
- 10** RELEASE (front panel release) button 5, 24
- 11** Reset button (located on the front side of the unit behind by the front panel) 5
- 12** OFF button 5, 6
- 13** SHIFT button  
PLAY MODE 8, 9, 10, 12, 13, 19, 22  
REP 8, 20  
SET UP 6, 7, 15, 17, 19  
SHUF 8, 20
- 14** POWER SELECT switch (located on the bottom of the unit)  
See "POWER SELECT switch" in the Installation/Connections manual.
- 15** During radio reception:  
Number buttons 9, 10, 12, 13  
During CD/MD playback:  
Direct disc selection buttons 19
- 16** DSPL (display mode change) button 7, 10, 11, 18, 19, 21
- 17** D-BASS dial 18

## Getting Started

### Resetting the unit

Before operating the unit for the first time or after replacing the car battery, you must reset the unit. Press the reset button with a pointed object, such as a ballpoint pen.



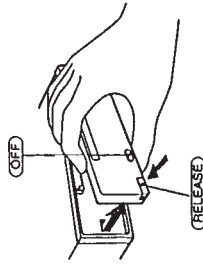
Reset button

**Note**  
Pressing the reset button will erase the clock and some memorized functions.

### Detaching the front panel

You can detach the front panel of this unit to prevent the unit from being stolen.

- 1 Press **OFF**.
- 2 Press **RELEASE** to open up the front panel. Then slide the front panel a little to the left, and pull it off towards you.

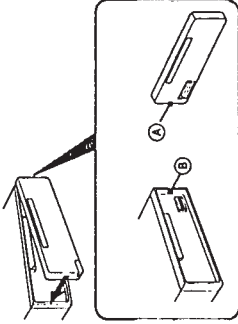


**Notes**

- Be sure not to drop the panel when detaching it from the unit.
- If you press **RELEASE** to detach the panel while the unit is still on, the unit will turn off automatically to prevent the speakers from being damaged.
- When you carry the front panel with you, put it in the supplied front panel case.

### Attaching the front panel

Align part **A** of the front panel to part **B** of the unit as illustrated, and push until it clicks.



#### Notes

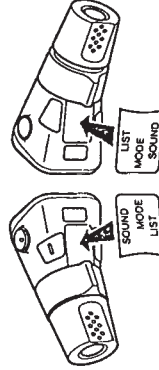
- Be sure not to attach the front panel upside down.
- Do not press the front panel hard against the unit when attaching it. Press it lightly against the unit.
- Do not press hard or put excessive pressure on the display windows of the front panel.
- Do not expose the front panel to direct sunlight, heat sources such as hot air ducts, and do not leave it in a humid place. Never leave it on the dashboard of a car parked in direct sunlight where there may be a considerable rise in temperature.

#### Caution alarm

If you turn the ignition key switch to the OFF position without removing the front panel, the caution alarm will beep for a few seconds (only when the POWER SELECT switch is set to the **A** position).

### Preparing the rotary commander

When you mount the rotary commander, attach the label in the illustration below.



## Setting the clock

The clock has a 12-hour digital indication.

Example: Set the clock to 10:08

- 1 Press **SHIFT**, then press **2 (SET UP)**.



- 1 Press **4 (→)**.



The hour digit flashes.

- 2 Set the hour.



- 3 Press **4 (→)**.



The minutes digits flash.

- 4 Set the minutes.



- 2 Press **SHIFT**.



The clock starts.

- 3 Press **SHIFT**.  
When the mode setting is complete, the normal playback mode appears.

**Note**  
If the **POWER SELECT** switch on the bottom of the unit is set to the **B** position, turn the power on first, then set the clock.

# Installation (US, Canadian)

## Precautions

- Do not tamper with the four holes on the upper surface of the unit. They are for tuner adjustments to be made only by service technicians.
- Choose the installation location carefully so that the unit will not interfere with the driver while driving.
- Avoid installing the unit where it would be subject to high temperatures, such as from direct sunlight or hot air from the heater, or where it would be subject to dust, dirt or excessive vibration.
- Use only the supplied mounting hardware for a safe and secure installation.

### Mounting angle adjustment

Adjust the mounting angle to less than 20°.

## How to Detach and Attach the Front Panel

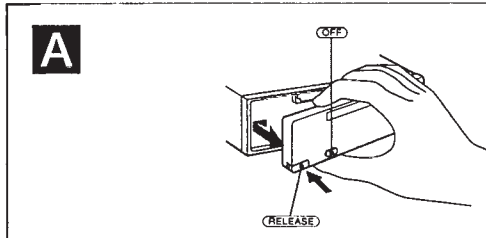
Before installing the unit, detach the front panel.

### To detach **A**

Before detaching the front panel, be sure to press **(OFF)** to turn off the unit. Then press **(RELEASE)**, slide the front panel a little to the left, and pull it off toward you.

### To attach **B**

Align the parts **A** and **B**, and push the front panel until it clicks.



# Installation

## Précautions

- Ne pas toucher les quatre orifices sur le panneau supérieur de l'appareil. Ils servent aux réglages du tuner qui ne doivent être effectués que par un technicien.
- Choisir soigneusement l'emplacement de l'installation, pour que l'appareil ne gêne pas la conduite.
- Eviter d'installer l'appareil dans un endroit exposé à des températures élevées, comme en plein soleil ou à proximité d'une bouche d'air chaud, ou à de la poussière, de la saleté ou des vibrations violentes.
- Pour garantir un montage sûr, n'utiliser que le matériel fourni.

### Réglage de l'angle de montage

Ajuster l'inclinaison à un angle inférieur à 20°.

## Retrait et pose du panneau avant

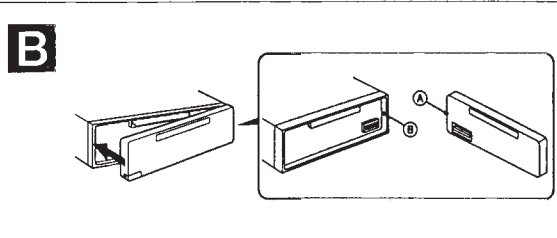
Avant d'installer l'appareil, déposer le panneau avant.

### Retrait

Avant de détacher la façade, appuyez sur **(OFF)** pour arrêter l'appareil. Ensuite, appuyez sur la touche ensuite sur **(RELEASE)**, poussez la façade légèrement vers la gauche et tirez vers vous pour l'enlever.

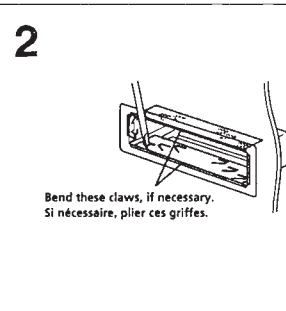
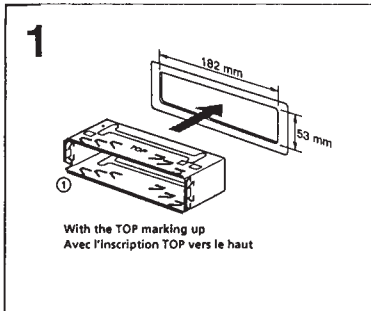
### Pose

Aligner les points **A** et **B**, puis pousser l'appareil jusqu'au dé clic.



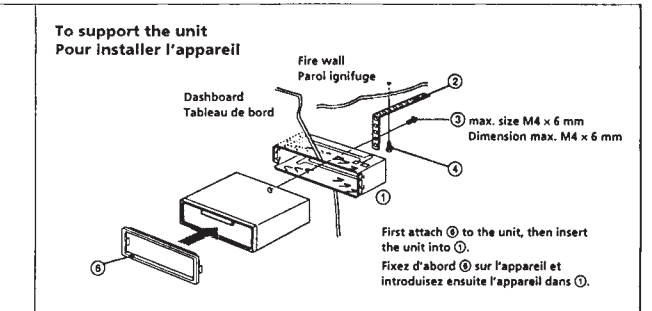
## Mounting Example

Installation in the dashboard



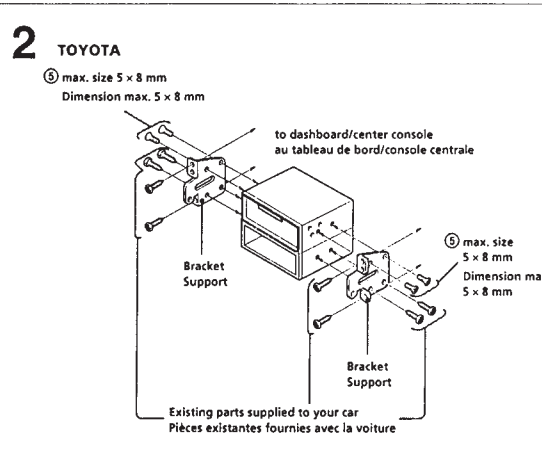
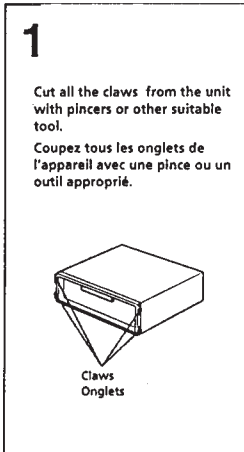
## Exemple de montage

Installation dans le tableau de bord



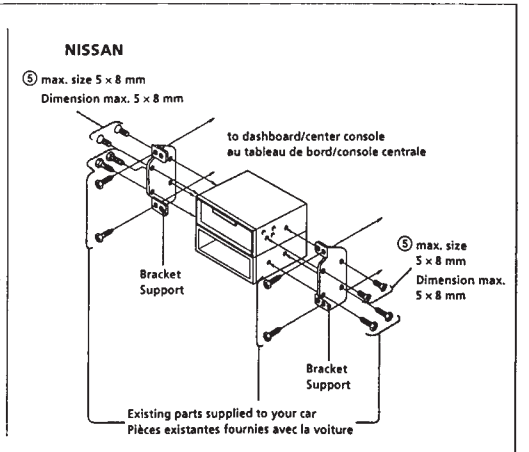
## Mounting the Unit in a Japanese Car

You may not be able to install this unit in some makes of Japanese cars. In such a case, consult your Sony dealer.



## Installation de l'appareil dans une voiture japonaise

Si vous ne pouvez pas installer l'appareil dans une voiture japonaise, consultez votre revendeur Sony.



Note  
To prevent malfunction, install only with the supplied screws ③.

Remarque  
Pour éviter tout dysfonctionnement, utilisez uniquement les vis de montage fournies ③.

# Installation (AEP, UK, E) Instalación

# 安裝

## Precautions

- Do not tamper with the four holes on the upper surface of the unit. They are used for tuner adjustments to be made only by service technicians.
- Choose the mounting location carefully so the unit does not interfere with normal driving operations.
- Avoid installing the unit where it would be subject to high temperatures, such as from direct sunlight or hot air from the heater, or where it would be subject to dust, dirt or excessive vibration.
- Use only the supplied mounting hardware for safe and secure installation.

## Mounting angle adjustment

Adjust the mounting angle to less than 20°.

## Precauciones

- No toque los cuatro orificios de la superficie superior de la unidad. Estos orificios son para ajustes del sintonizador que solamente deberán realizar técnicos de reparación.
- Elija cuidadosamente el lugar de montaje de forma que la unidad no interfiera las funciones normales de conducción.
- Evite instalar la unidad donde pueda quedar sometida a altas temperaturas, como a la luz solar directa o al aire de calefacción, o a polvo, suciedad, o vibraciones excesivas.
- Para realizar una instalación segura y firme, utilice solamente la ferretería de montaje suministrada.

## Ajuste del ángulo de montaje

Ajuste el ángulo de montaje a menos de 20°.

## 使用前注意事項

- 本機頂部的4個小孔請勿擅自觸動。它們僅供維修技術人員調整調諧器時之用。
- 本機應放在不妨礙司機駕駛之處。
- 避免把本機放在高溫之處，如陽光直射照射、暖氣機前、或灰塵極多、靜亂以及極易受震動等地方。
- 為了安全起見，安裝時請使用附送的安裝用部件。

## 安裝角度之調整

請在20度以內調整安裝角度。

## How to detach and attach the front panel

Before installing the unit, detach the front panel.

### A To detach

Before detaching the front panel, be sure to press **(OFF)** to turn off the unit. Then press **(RELEASE)**, slide the front panel a little to the left, and pull it off towards you.

### B To attach

Align the parts ① and ②, and push the front panel until it clicks.

## Forma de extraer e instalar el panel frontal

Antes de instalar la unidad, extraiga el panel frontal.

### A Para extraerlo

Antes de extraer el panel frontal, cerciórese de presionar **(OFF)** para desactivar la unidad. Después, presione **(RELEASE)**, desplace ligeramente el panel frontal hacia la izquierda y tire de él hacia sí mismo.

### B Para instalarlo

Alinee las partes ① y ②, y presione el panel frontal hasta que chasque.

## 前板之裝卸

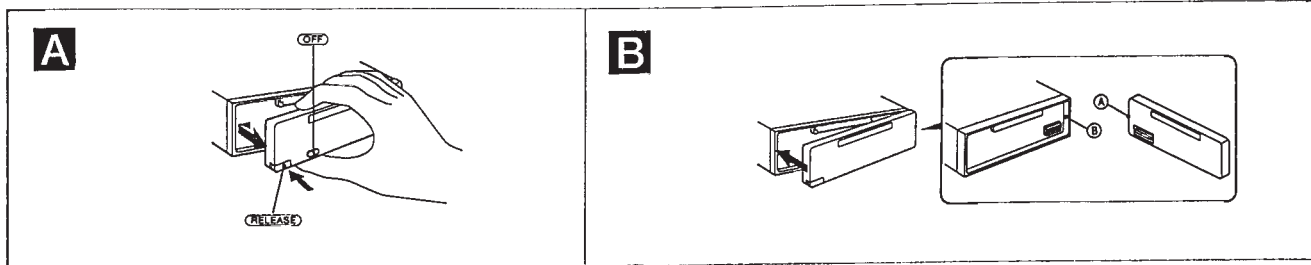
安裝本機之前，請先拆下前板。

### A 要拆卸時

拆卸前板之前，務必按下 **(OFF)** 鍵，以關閉本機。然後，按下 **(RELEASE)** 鍵，將前板稍微向左邊滑動，並向朝著您的方向卸下前板。

### B 要安裝時

將 ① 處和 ② 處對準，然後推入前板直至聽到“卡搭”一聲。



## Mounting example

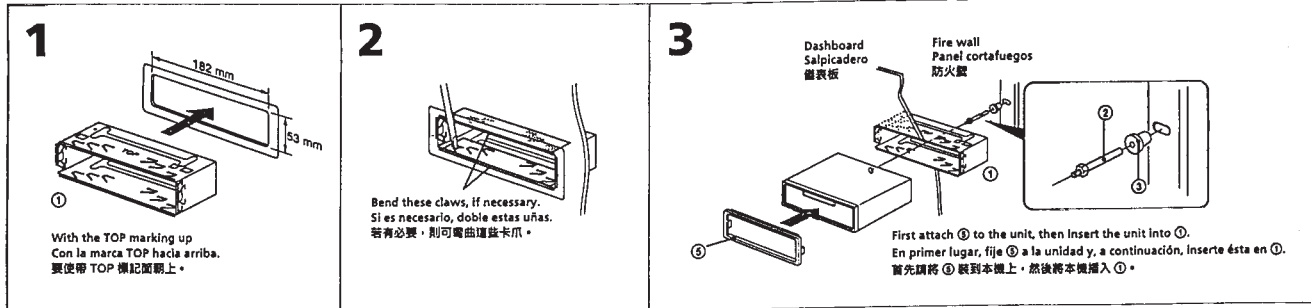
Installation in the dashboard

## Ejemplo de montaje

Instalación en el salpicadero

## 安裝示例

安裝於儀表板上



## Mounting the unit in a Japanese car

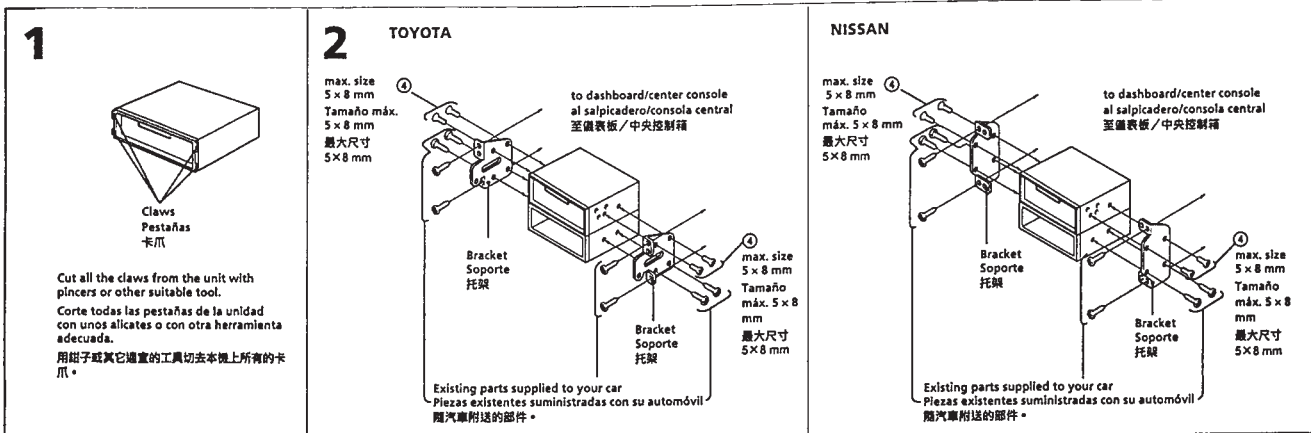
You may not be able to install this unit in some makes of Japanese cars. In such a case, consult your Sony dealer.

## Montaje de la unidad en un automóvil japonés

Usted no podrá instalar esta unidad en algunos automóviles japoneses. En tal caso, consulte a su proveedor Sony.

## 將本機安裝於日本汽車裡

有的日本產汽車不能安裝本機。在這種情形下，請您向當地的 Sony 經銷商諮詢。



**Note**  
To prevent malfunction, install only with the supplied screws ①.

**Nota**  
Para evitar que se produzcan fallos, realice la instalación solamente con los tornillos suministrados ①.

**註**  
為防止發生故障，安裝時只能使用附送的螺絲 ①。



## Installing the rotary commander

### Notes

- Choose the mounting location carefully so that the rotary commander will not interfere with operating the car.
- Do not install the rotary commander in a place where it may jeopardize the safety of the (front) passenger in anyway.
- When installing the rotary commander, be sure not to damage the electrical cables etc. on the other side of the mounting surface.
- Avoid installing the rotary commander where it may be subject to high temperatures, such as from direct sunlight or hot air from the heater etc.

## 安裝轉動式控制器

### 註

- 轉動式控制器請裝在不妨礙汽車駕駛之處。
- 不可將轉動式控制器裝在對乘客有危險的地方。
- 安裝控制器時，請注意不要損壞線路及安裝面反面的電線等。
- 避免將控制器安裝在高溫，如陽光直射照射或暖氣機前等地方。

## Instalación del mando rotativo

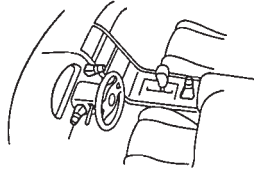
### Notas

- Elija cuidadosamente el lugar de montaje de forma que el mando rotativo no dificulte la conducción del coche.
- No instale el mando rotativo en un lugar donde pueda poner en peligro la seguridad del pasajero acompañante.
- Al instalar el mando rotativo, asegúrese de no dañar los cables de electricidad, etc., del otro lado de la superficie de montaje.
- Procure no instalar el mando rotativo en un lugar expuesto a altas temperaturas, como a la luz solar directa o al aire caliente de la calefacción, etc.

## Example of a mounting location

## Ejemplo de un lugar de montaje

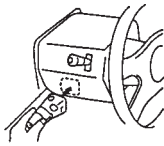
### 安裝位置舉例



- 1** Choose the exact location for mounting the rotary commander, then clean the mounting surface. Dirt or oil impair the adhesive strength of the double-sided adhesive tape.

Una vez elegido el lugar de montaje del mando rotativo, limpie previamente la superficie de montaje. La suciedad o la grasa dañan la intensidad adhesiva de la cinta adhesiva de dos caras.

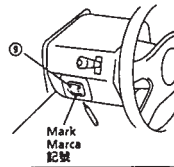
選擇一個適合安裝轉動式控制器的地方，然後擦淨安裝面。表面髒污或有油污會減低兩面膠帶的黏貼力。



- 2** Mark position for the supplied screw. Use the screw hole on the mounting hardware ① to mark the position.

Marque la posición para los tornillos suministrados. Para ello, utilice los orificios para tornillos de la ferretería de montaje ①.

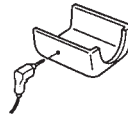
畫一個供螺絲釘鑽孔之處。按照安裝備具 ① 的螺絲釘孔位置作記號。



- 3** Remove the steering wheel column cover, and drill 2 mm diameter hole at the marked position.

Extraiga la cubierta de la columna de la dirección y haga orificio de 2 mm. de diámetro en el lugar marcado.

取下轉向柱外殼，並在所作記號之處鑽開 2mm 大小的釘孔。



- 4** Warm the mounting surface and the double-sided adhesive tape on the mounting hardware ① to the temperature of 20°C to 30°C, and attach the mounting hardware to the mounting surface applying even pressure. Then screw it down with the supplied screw ②. Attach a piece of heavy duty tape etc. on the other side of the mounting surface to cover the protruding tips of the screw so they will not interfere with any electrical cables etc. inside the steering wheel column.

Caliente la superficie de montaje y la cinta adhesiva de doble cara de la ferretería de montaje ① a una temperatura entre 20°C y 30°C, y ajuste la ferretería de montaje a la superficie de montaje ejerciendo una presión uniforme. A continuación, apriete los tornillos ② suministrados.

Adhiera un trozo de cinta adhesiva resistente, etc. en el otro lado de la superficie de montaje para cubrir los extremos de los tornillos que sobresalgan, de forma que no interfieran con los cables de electricidad, etc., del interior de la columna de dirección.

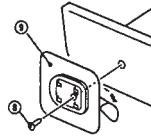
將安裝面及安裝用部件 ① 的兩面膠帶加熱至 20°C 到 30°C 程度，然後將安裝用部件貼在轉向柱外殼，貼時所施壓力須均勻。以附送的螺絲釘 ② 把安裝用部件釘緊。

在安裝面的反面之螺絲釘尖端部分，貼一強力膠帶，以免用者轉向柱裡面的電線等。

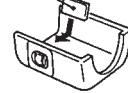
Cut the mounting hardware ①, if necessary.

Si es necesario, corte la pieza ①.

必要時，除去安裝用部件 ①。



Heavy duty tape etc.  
Cinta adhesiva resistente, etc.  
強力膠帶等



- 5** After installing the steering wheel column cover, attach the rotary commander to the mounting hardware by aligning the four holes on the bottom of the rotary commander with the four catches on the mounting hardware and sliding the rotary commander until it locks into place as illustrated.

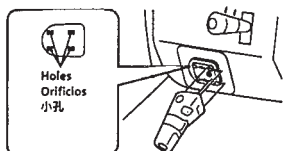
Note  
If you are mounting the rotary commander on the steering wheel column, make sure that the protruding tips of the screw on the inner surface of the column do not in any way hinder or interfere with the movement of the rotating shaft, operative parts of the switches or the electrical cables etc. inside the column.

Una vez instalada la cubierta de la columna de dirección, fije el mando rotativo a la ferretería de montaje alineando los cuatro orificios de la parte inferior del mando con los cuatro enganches de la ferretería de montaje. A continuación, deslice el mando hasta que encaje en su sitio como se muestra en la ilustración.

Nota  
Si monta el mando rotativo en la columna de dirección, asegúrese de que los extremos de los tornillos que sobresalgan de la superficie interior de la columna no dificulten el movimiento del eje de rotación ni los componentes operativos de los conmutadores o los cables de electricidad, etc., del interior de la columna.

在轉向柱外殼重新裝上以後，將控制器裝在安裝用部件裡。旋轉讓控制器底部的4個小孔對準安裝用部件的4個小鉤，然後按照插圖所示，將控制器插入部件裡。

註  
在將控制器裝在轉向柱外殼時，必須注意。轉向柱裡的螺絲釘之尖端，不可觸到或傷害到轉向柱裡的轉軸、開關的操作部分或電線等。



# Connections

## Caution

- This unit is designed for negative earth 12 V DC operation only.
- Before making connections, disconnect the earth terminal of the car battery to avoid short circuits.
- Connect the yellow and red power input leads only after all other leads have been connected.
- Be sure to connect the red power input lead to the positive 12 V power terminal which is energized when the ignition key is in the accessory position.
- Run all earth wires to a common earth point.
- Connect the yellow cord to a free car circuit rated higher than the unit's fuse rating. If you connect this unit in series with other stereo components, the car circuit they are connected to must be rated higher than the sum of the individual components' fuse rating. If there are no car circuits rated as high as the unit's fuse rating, connect the unit directly to the battery. If no car circuits are available for connecting this unit, connect the unit to a car circuit rated higher than the unit's fuse rating in such a way that if the unit blows its fuse, no other circuits will be cut off.

## If your car has no accessory position on the ignition key switch — POWER SELECT switch

The illumination on the front panel is factory set to be turned on even while the unit is not in use. However, this setting may cause some car battery wear if your car has no accessory position on the ignition key switch. To avoid this battery wear, set the POWER SELECT switch located on the bottom of the unit to the **⓪** position, then press the reset button. The illumination is reset to stay off while the unit is not in use.

**Note**  
The caution alarm for the front panel is not activated when the POWER SELECT switch is set to the **⓪** position.

## Frequency select Switch (E Model)

The AM (FM) tuning interval is factory-set to the 9K (50K) position. If the frequency allocation system of your country is based on 10 kHz (200 kHz) interval, set the switch on the bottom of the unit to the 10K (200K) position before making connections.

When you change the position of the switch, be sure to press the reset buttons after the connections are completed.

## Reset button

When the installation and connections are complete, be sure to press the reset button with a ball-point pen etc.

## Connection diagram

Equipment used in illustrations (not supplied)  
Equipo utilizado en las ilustraciones (no suministrado)  
插圖中使用的裝置 (非附送)



Front speakers  
Altavoces delanteros  
前揚聲器



Power amplifier  
Amplificador de potencia  
功率放大器



Rear speakers  
Altavoces traseros  
後揚聲器

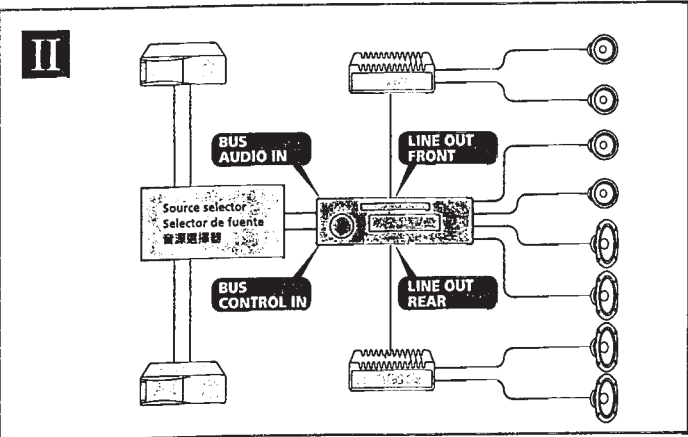
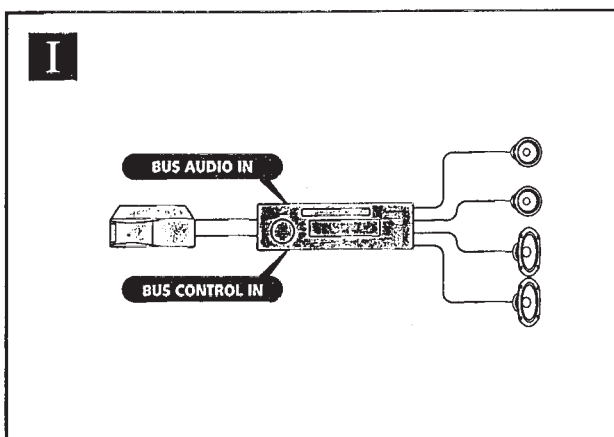


CD/MD changer  
Cambiador de CD/MD  
CD/MD 換碟機

**Note**  
For connecting two or more changers, the source selector XA-C30 (optional).

**Note**  
Cuando desee conectar dos o más cambiadores, necesitará un selector de fuente XA-C30 (opcional).

**註**  
連接2套或2套以上換碟機時，必須預判音源選擇器 XA-C30 (選購品)。



# Conexiones

## Precauciones

- Esta unidad ha sido diseñada para alimentarse con 12 V CC, negativo a masa, solamente.
- Antes de realizar las conexiones, desconecte el terminal de puesta a masa de la batería del automóvil a fin de evitar cortocircuitos.
- Conecte los cables conectores de alimentación amarillo y rojo solamente después de haber conectado los demás.
- Cerciórese de conectar el cable conector de alimentación rojo a un terminal de 12 V positivo que se energice al poner la llave de encendido en la posición para accesorios.
- Conecte todos los conductores de puesta a masa a un punto común.
- Conecte el cable amarillo a un circuito libre de automóvil de potencia nominal superior a la del fusible de la unidad. Si conecta esta unidad en serie con otros componentes estéreo, la potencia nominal del circuito del automóvil a los que dichos componentes estén conectados debe ser superior a la suma de la potencia nominal del fusible de los componentes. Si no existen circuitos de automóvil de potencia nominal igual a la del fusible de la unidad, conecte ésta directamente a la batería. Si no hay circuitos de automóvil disponibles para conectar esta unidad, conecte la misma a un circuito de automóvil de potencia nominal superior a la del fusible de la unidad de forma que no se desactiven otros circuitos si el fusible de dicha unidad se funde.

## Si el automóvil no dispone de posición para accesorios en la llave de encendido

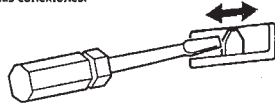
### — Selector POWER SELECT

La iluminación del panel frontal ha sido ajustada en fábrica para que esté activada aunque la unidad no se encuentre en funcionamiento. Sin embargo, este ajuste puede provocar cierta descarga de la batería del automóvil si éste no dispone de posición para accesorios en la llave de encendido. Para evitar esto, ponga el selector POWER SELECT, situado en la base de la unidad, en la posición **⓪** y, después, presione el botón de reposición. La iluminación estará desactivada cuando la unidad no se encuentre en funcionamiento.

**Nota**  
La alarma de precaución del panel frontal no se activará cuando el selector POWER SELECT se encuentre en la posición **⓪**.

## Selector de frecuencia

El intervalo de sintonía de AM (FM) ha sido ajustado en fábrica a la posición 9K (50K). Si el sistema de asignación de frecuencias de su país se basa en el intervalo de 10 kHz (200 kHz), ponga este selector, situado en la base de la unidad, en la posición 10 K (200K) antes de realizar las conexiones.



Quando haya cambiado la posición del selector, cerciórese de presionar los botones de reposición después de haber finalizado las conexiones.

## Botón de reposición

Quando haya finalizado la instalación y las conexiones, cerciórese de presionar el botón de reposición con un bolígrafo, etc.



## Diagramas de conexión

# 線路連接

## 注意

- 本機只能使用負極接地 12 V 直流電源。
- 連接前，先拔去汽車電池的接地端子，以免發生短路。
- 黃色和紅色電源輸入導線必須在所有其它導線都連接完畢以後才連接。
- 紅色電源導線務請連接至 +12 V 電源端子 (該電源端子在汽車發動機點火鑰匙處於輔助位置時才通電)。
- 將所有地線都連接到同一地點。
- 將黃色導線連接到大於機殼保險絲額定容量的未佔用的汽車電路上。若將本機和其它立體聲裝置相互串聯，所連接的汽車電路容量必須大於各組成機殼保險絲容量的總和。
- 若沒有與本機保險絲額定容量一樣大的汽車電路可資利用，可將本機直接連接到電池上。
- 若無適當的汽車電路可用於連接本機，請將本機連接到大於本機保險絲容量的汽車電路上。這樣，若本機的保險絲燒斷了，也不致於切斷其它電路。

## 若要在汽車發動機點火鑰匙開關沒具輔助位置的汽車裡使用時 — POWER SELECT 開關

前板的照明燈是出廠前設置的，即使不使用本機也會發亮。若要在汽車發動機點火鑰匙沒具輔助位置的汽車裡使用本機，此照明燈將會一直消耗微量的汽車電池電力。因此為了避免在這種狀態下的電池消耗，請將本機底部的 POWER SELECT 開關設定在 **⓪** 檔處，然後按下前板的復位鍵。這樣，不使用本機時，照明燈便不發亮。

**註**  
POWER SELECT 開關設定在 **⓪** 檔時，前板的操作提醒警告功能便失效。

## 頻率選擇開關

AM(FM) 調諧間隔在出廠前被設定在 9 K(50K) 位置上。若貴國的頻率分配系統是以 10 kHz(200kHz) 為基礎的，連接前，請將本機機底部的開關設定在 10 K(200K) 位置上。

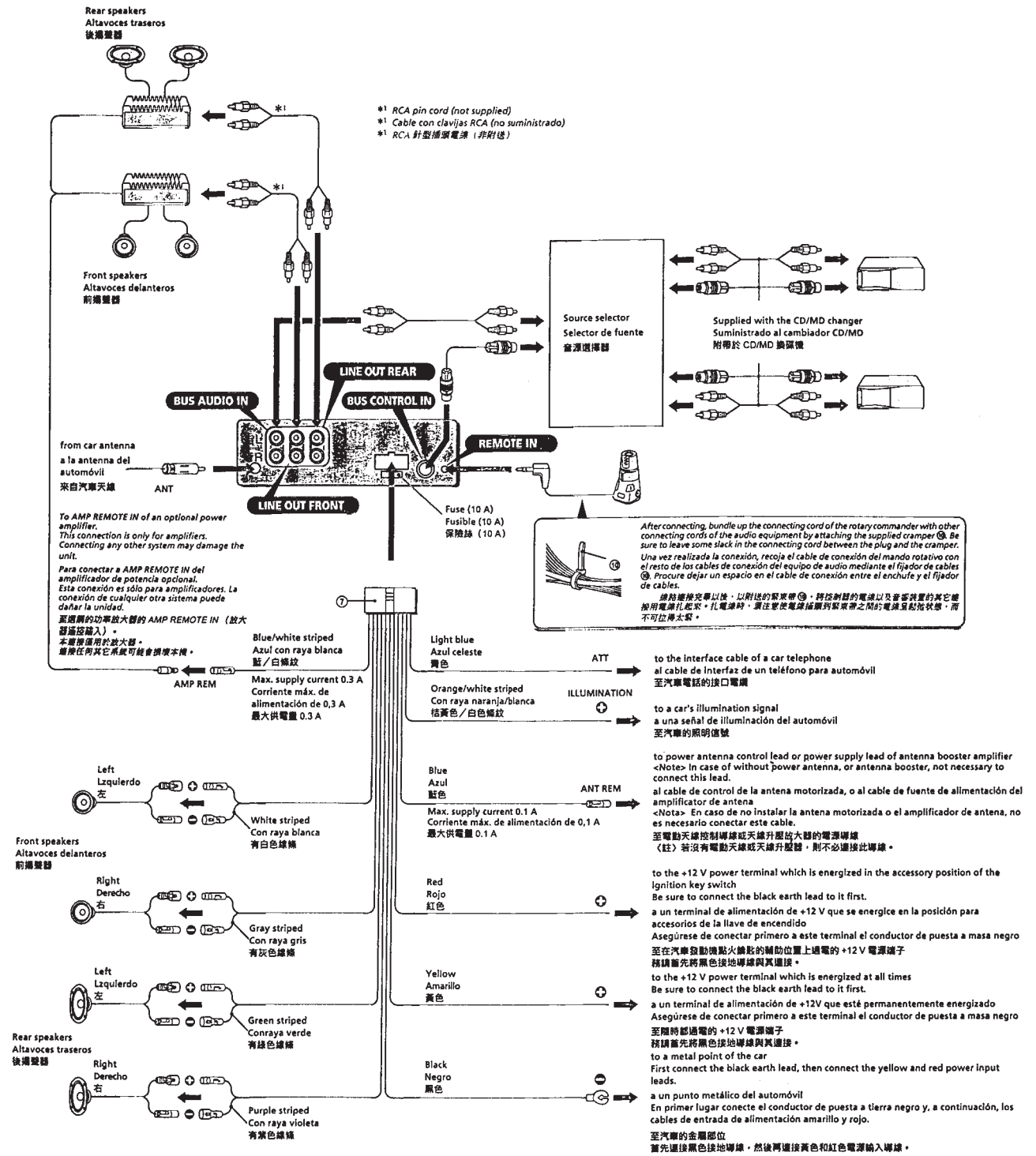
改變開關位置時，請一定在連接好機器後按下復位鍵。

## 復位鍵

當安裝和連接完成後，務請用圓珠筆等按壓復位鍵。

## 線路連接圖

**Connection example (MDX-C7900)**  
**Ejemplo de conexiones**  
**線路連接圖例**



**Note on the control leads**  
 The power antenna control lead (blue) supplies +12 V DC when you turn on the tuner.

**Memory hold connection**  
 When the yellow power input lead is connected, power will always be supplied to the memory circuit even when the ignition key is turned off.

**Notes on speaker connection**

- Before connecting the speakers, turn the unit off.
- Use speakers with an impedance of 4 to 8 ohms, and with adequate power handling capacities. Otherwise, the speakers may be damaged.
- Do not connect the terminals of the speaker system to the car chassis, and do not connect the terminals of the right speaker with those of the left speaker.
- Do not attempt to connect the speakers in parallel.
- Do not connect any active speakers (with built-in amplifiers) to the speaker terminals of the unit. Doing so may damage the active speakers. Therefore, be sure to connect passive speakers to these terminals.

**Nota sobre los conductores de control**  
 El conductor de control de la antena motorizada (azul) suministrará +12 V CC cuando conecte la alimentación del sintonizador.

**Conexión para protección de la memoria**  
 Si conecta el conductor de entrada amarillo, el circuito de la memoria recibirá siempre alimentación, incluso aunque ponga la llave de encendido en la posición OFF.

**Notas sobre la conexión de los altavoces**

- Antes de conectar los altavoces, desconecte la alimentación de la unidad.
- Utilice altavoces con una impedancia de 4 a 8 ohmios, y con la potencia máxima admisible adecuada, ya que de lo contrario podría dañarlos.
- No conecte los terminales del sistema de altavoces al chasis del automóvil, ni los del altavoz izquierdo a los del derecho.
- No intente conectar los altavoces en paralelo.
- No conecte altavoces activos (con amplificador incorporado) a los terminales de altavoces de la unidad. Si lo hiciese, podría dañar tales altavoces. Por lo tanto, cerciórese de conectar altavoces pasivos a estos terminales.

**關於控制導線**  
 接通調音器電源時，電動天線的控制導線 (藍色) 便能提供 +12 V 直流電。

**保持記憶的線路連接法**  
 當連接好黃色電源輸入導線時，即便汽車發動機點火輪匙轉在電源切斷之處，電機仍繼續將電源供給記憶用電路，以保持所記憶的數據。

**連接揚聲器時的注意事項**

- 連接揚聲器電線以前，請先切斷本機電源。
- 請使用 4 至 8 Ω 阻抗並且具有足夠功率的揚聲器。否則會損壞揚聲器。
- 不可將揚聲器的端子直接連至汽車底盤，也不可將左揚聲器和右揚聲器相連接。
- 揚聲器不可平行連接。
- 不可連接有源揚聲器 (內裝有放大器等) 至本機揚聲器端子，否則會損壞有源揚聲器。因此，這些端子只能連接無源揚聲器。

Connection example  
(MDX-C7900R)

Ejemplo de conexiones

Exemplo de ligações

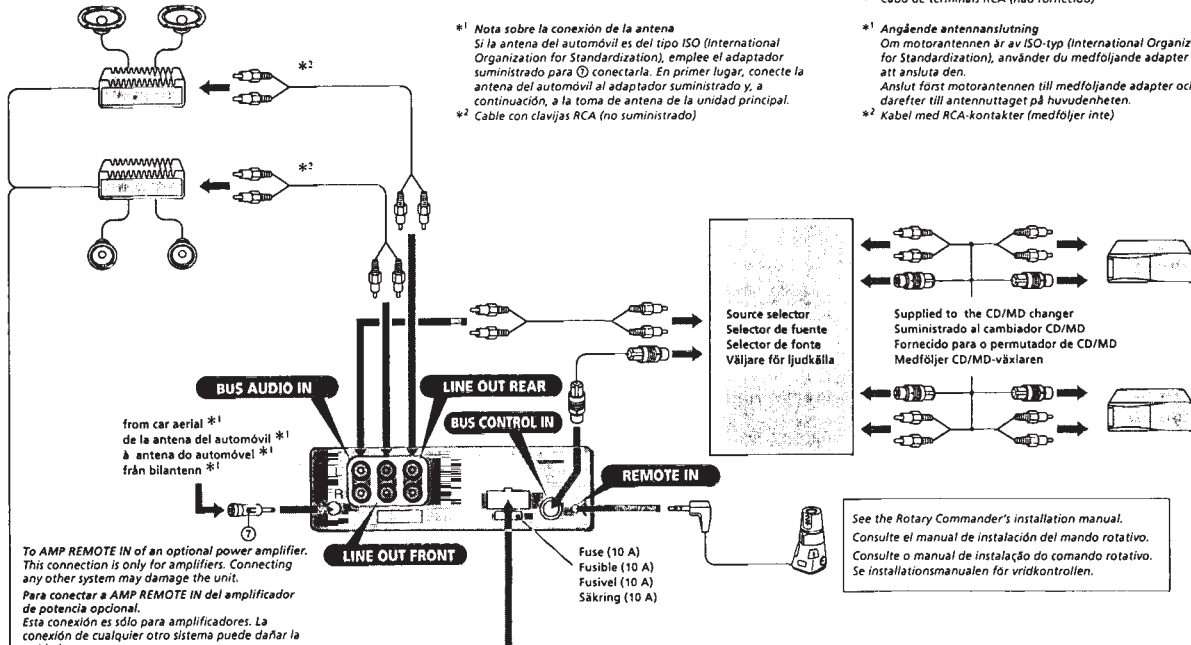
Anslutningarna enligt exemplet

\*1 Note for the aerial connecting  
If your car aerial is an ISO (International Organization for Standardization) type, use the supplied adapter to connect it. First connect the car aerial to the supplied adapter, then connect it to the aerial jack of the master unit.  
\*2 RCA pin cord (not supplied)

\*1 Nota sobre la conexión de la antena  
Si la antena del automóvil es del tipo ISO (International Organization for Standardization), emplee el adaptador suministrado para conectarla. En primer lugar, conecte la antena del automóvil al adaptador suministrado y, a continuación, a la toma de antena de la unidad principal.  
\*2 Cable con clavijas RCA (no suministrado)

\*1 Nota referente à ligação da antena  
Se a antena do automóvel for uma antena de tipo ISO (International Organization for Standardization), utilize o adaptador fornecido para fazer a ligação respectiva. Ligue primeiro a antena do automóvel ao adaptador fornecido e depois à ficha tipo jack do sistema principal.  
\*2 Cabo de terminais RCA (não fornecido)

\*1 Angående antennanslutning  
Om motorantennen är av ISO-typ (International Organization for Standardization), använd du medföljande adapter för att ansluta den.  
Anslut först motorantennen till medföljande adapter och därefter till antennuttaget på huvudenheten.  
\*2 Kabel med RCA-kontakter (medföljer inte)



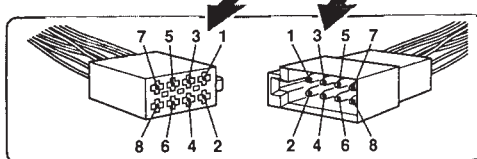
To AMP REMOTE IN of an optional power amplifier. This connection is only for amplifiers. Connecting any other system may damage the unit.  
Para conectar a AMP REMOTE IN del amplificador de potencia opcional. Esta conexión es sólo para amplificadores. La conexión de cualquier otro sistema puede dañar la unidad.

Para ligação a AMP REMOTE IN do amplificador de potência opcional. Esta ligação destina-se apenas aos amplificadores. A ligação de qualquer outro sistema pode provocar avarias no aparelho.  
Ansluta till AMP REMOTE IN på den valfria effektförstärkaren. Denna anslutning gäller endast för högtalare. Om du ansluter något annat system kan enheten skadas.

Max. supply current 0.3 A  
Corriente máx. de alimentación de 0.3 A  
Corrente máxima de 0.3 A  
Maximal strömtilförsel 0.3 A

to the interface cable of a car telephone  
al cable de interfaz de un teléfono para automóvil  
Cabo de interface do telefone celular móvel  
till mobiltelefonens gränssnittskabel

to a car's speaker connector  
a un conector de altavoces del automóvil  
a un conector de altifalante do automóvel  
till bilens högtalanslutning



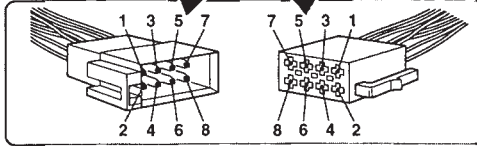
**WARNING**  
Auxiliary power connectors may vary depending on the car. Be sure to check the power connection sheet supplied with the unit. Improper connections may damage your car. If the supplied power connecting cord can not be used with your car, consult your nearest Sony dealer.

**ADVERTENCIA**  
Los conectores de alimentación auxiliar pueden variar en función del automóvil. Asegúrese de consultar el diagrama de conexión de alimentación suministrado con la unidad. Las conexiones incorrectas pueden dañar el automóvil. Si no es posible utilizar con el automóvil el cable de conexión de alimentación suministrado, póngase en contacto con el proveedor Sony más próximo.

**ATENÇÃO**  
Os conectores de corrente auxiliares podem variar de carro para carro. Não se esqueça de verificar o diagrama de ligação de corrente fornecido com o aparelho. As ligações mal executadas podem danificar o seu carro. Se não puder utilizar o cabo de alimentação fornecido no seu carro, contacte o agente Sony da sua zona.

**WARNING**  
Typen av yttre strömanslutning varierar från bil till bil. Kontrollera strömanslutningsschemat som medföljer enheten så att du ansluter på rätt sätt. Felaktig anslutning kan skada bilen. Kontakta närmaste Sony-förförsäljare om den medföljande strömkabeln inte passar till din bil.

to a car's auxiliary power connector  
a un conector de alimentación auxiliar del automóvil  
a un conector de alimentação auxiliar do automóvel  
till bilens yttre strömanslutning



Pin	Colour	Function	Pin	Colour	Function
Pin	Color	Función	Pin	Color	Función
Pin	Pol	Funktion	Pin	Pol	Funktion
1	Purple Púrpura	++ Speaker, Rear, Right ++ Altavoz, parte posterior, derecho ++ Altifalante, Parte de trás, Direito ++ Högtalare, bakre, höger	5	White Blanco	++ Speaker, Front, Left ++ Altavoz, parte frontal, izquierdo ++ Altifalante, Parte da frente, Esquerdo ++ Högtalare, främre, vänster
2	Violeta Mörkblå	-- Speaker, Rear, Right -- Altavoz, parte posterior, derecho -- Altifalante, Parte de trás, Direito -- Högtalare, bakre, höger	6	White Branco	-- Speaker, Front, Left -- Altavoz, parte frontal, izquierdo -- Altifalante, Parte da frente, Esquerdo -- Högtalare, främre, vänster
3	Gray Gris	++ Speaker, Front, Right ++ Altavoz, parte frontal, derecho ++ Altifalante, Parte da frente, Direito ++ Högtalare, främre, höger	7	Green Verde	++ Speaker, Rear, Left ++ Altavoz, parte posterior, izquierdo ++ Altifalante, Parte de trás, Esquerdo ++ Högtalare, bakre, vänster
4	Gray Gris	-- Speaker, Front, Right -- Altavoz, parte frontal, derecho -- Altifalante, Parte da frente, Direito -- Högtalare, främre, höger	8	Green Verde	-- Speaker, Rear, Left -- Altavoz, parte posterior, izquierdo -- Altifalante, Parte de trás, Esquerdo -- Högtalare, bakre, vänster

Negative polarity positions 2, 4, 6 and 8 have striped cords.  
Las posiciones de polaridad negativa 2, 4, 6 y 8 tienen cables con raya.  
As posições 2, 4, 6 e 8 (polaridade negativa) têm cabos as riscas.  
De negativa polpositionerna 2, 4, 6 och 8 har randiga kablar.

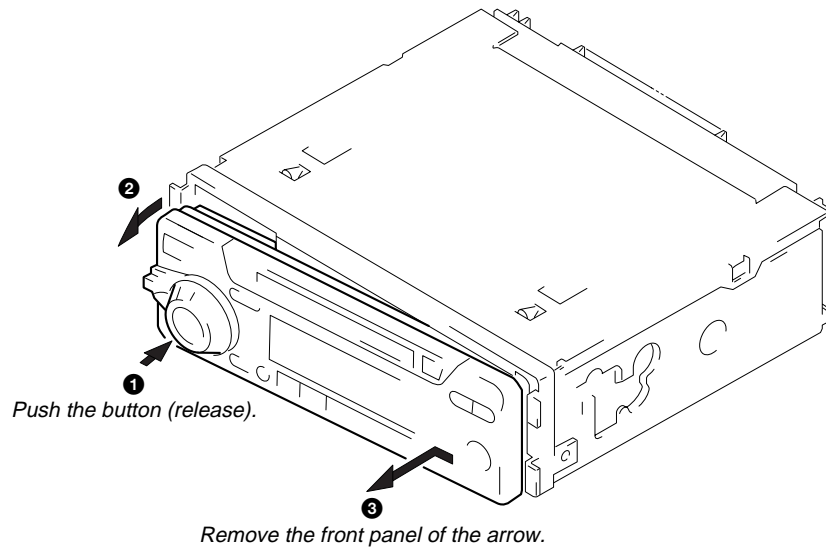
Pin	Colour	Function	Pin	Colour	Function
Pin	Color	Función	Pin	Color	Función
Pin	Pol	Funktion	Pin	Pol	Funktion
4	Yellow Amarillo Amarelo Gul	continuous power supply suministro de alimentación continua alimentação kontinuerlig strömförsörjning	7	Red Rojo Vermelho Röd	switched power supply suministro de alimentación conmutada fornecimento comutado de corrente switchad strömförsörjning
5	Blue Azul Azul Blå	power aerial control antena eléctrica antena eléctrica elektrisk antenn	8	Black Negro Preto Svart	earth toma de tierra terra jord
6	Orange/white striped Con raya naranja/blanca Com riscas cor de laranja e brancas Orange-och vitrandig	switched illumination power supply suministro de alimentación de iluminación conmutada Fonte de fornecimento de iluminação comutada strömförsörjning till belysning (växlad)			

Positions 1, 2, and 3 do not have pins.  
Las posiciones 1, 2 y 3 no disponen de pines.  
As posições 1, 2 e 3 não têm pines.  
Positionerna 1, 2 och 3 saknar stift.

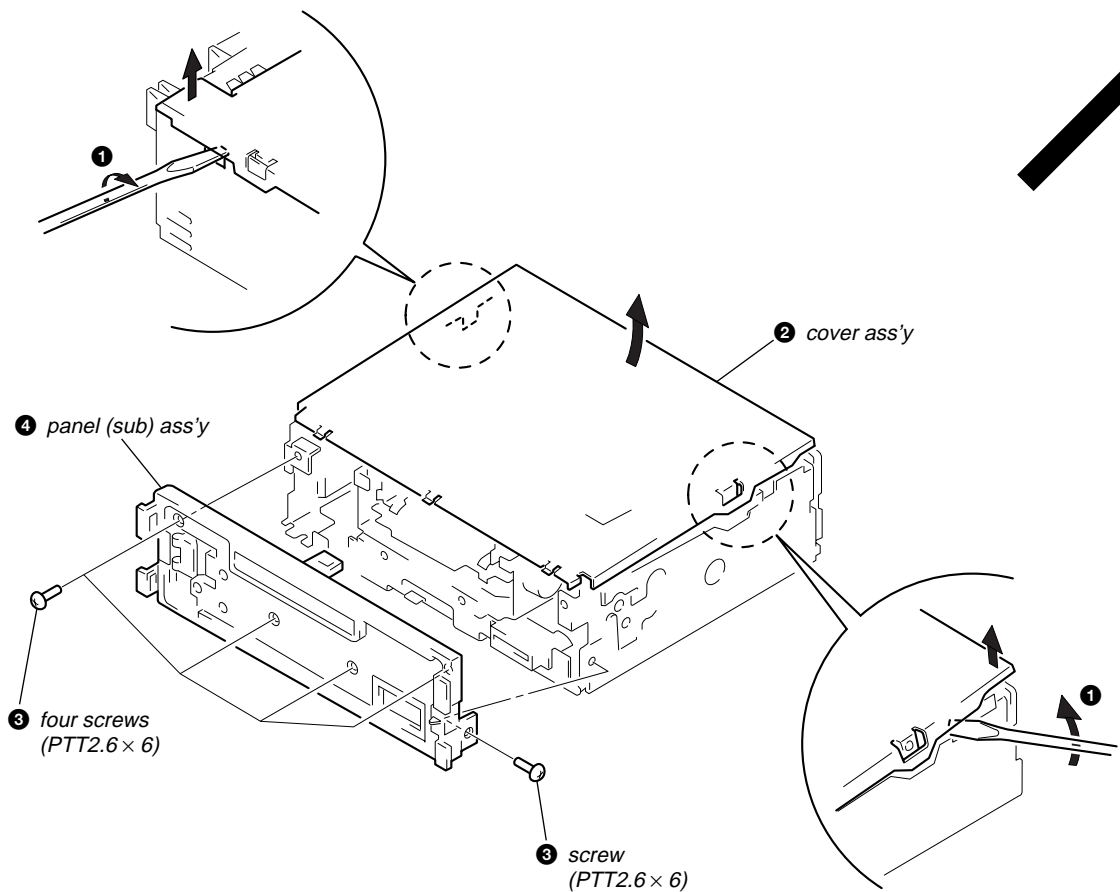
## SECTION 3 DISASSEMBLY

**Note:** Follow the disassembly procedure in the numerical order given.

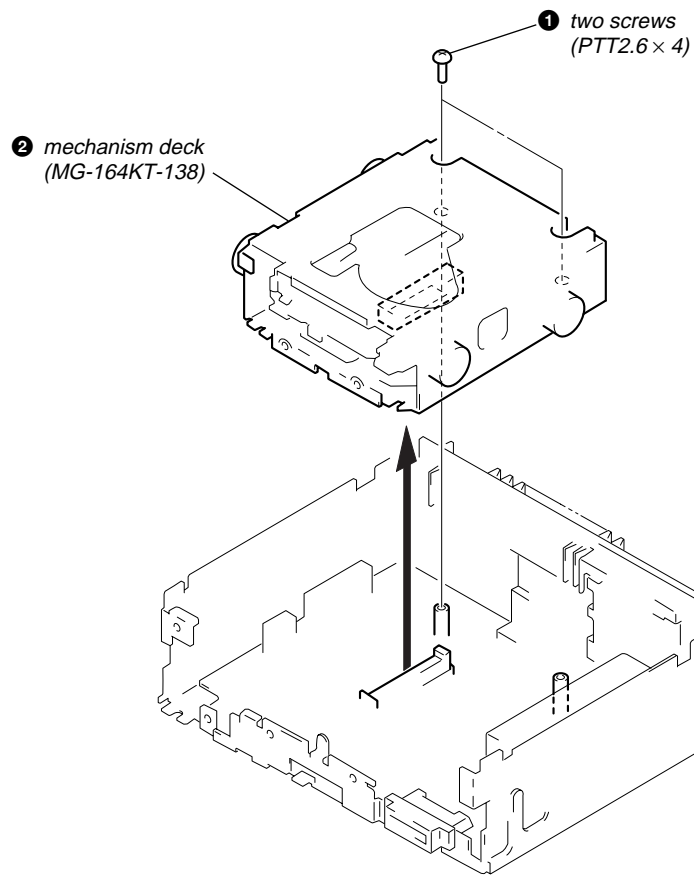
### FRONT PANEL



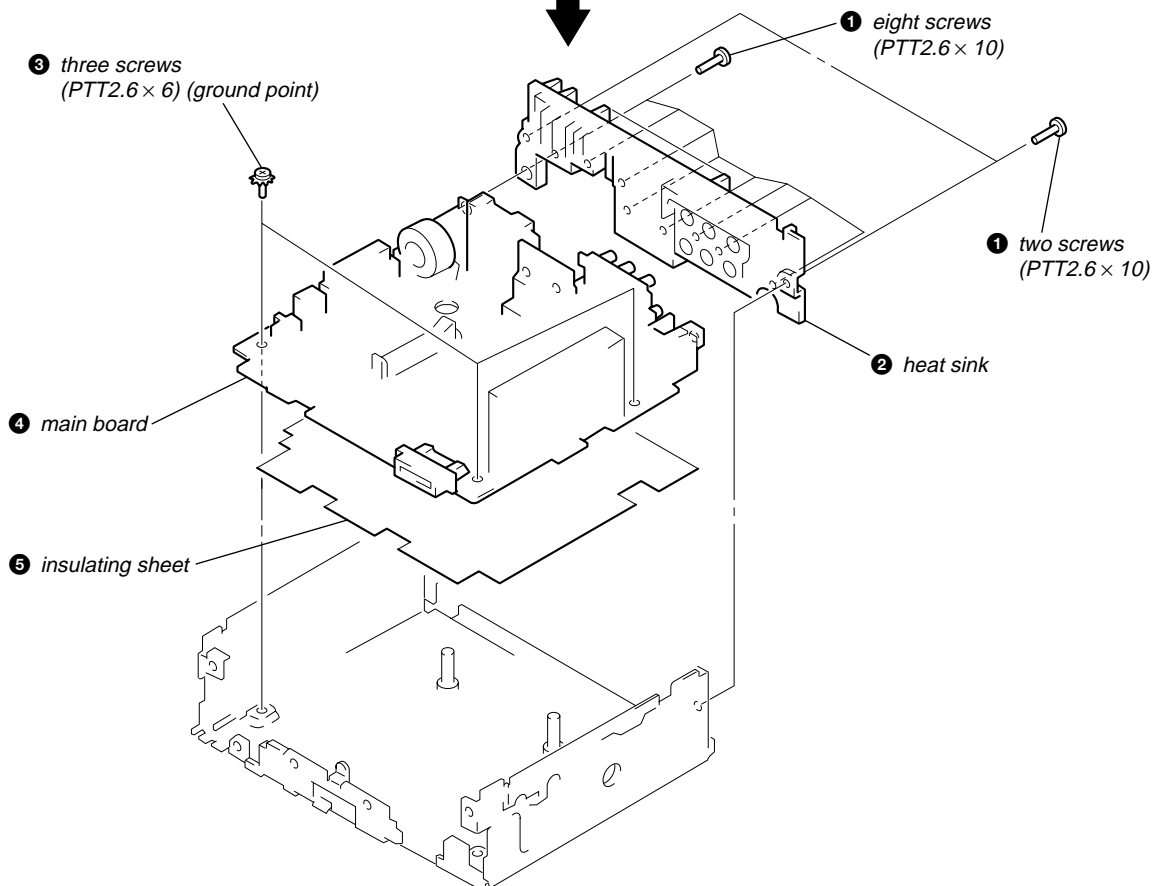
### COVER ASS'Y, PANEL (SUB) ASS'Y



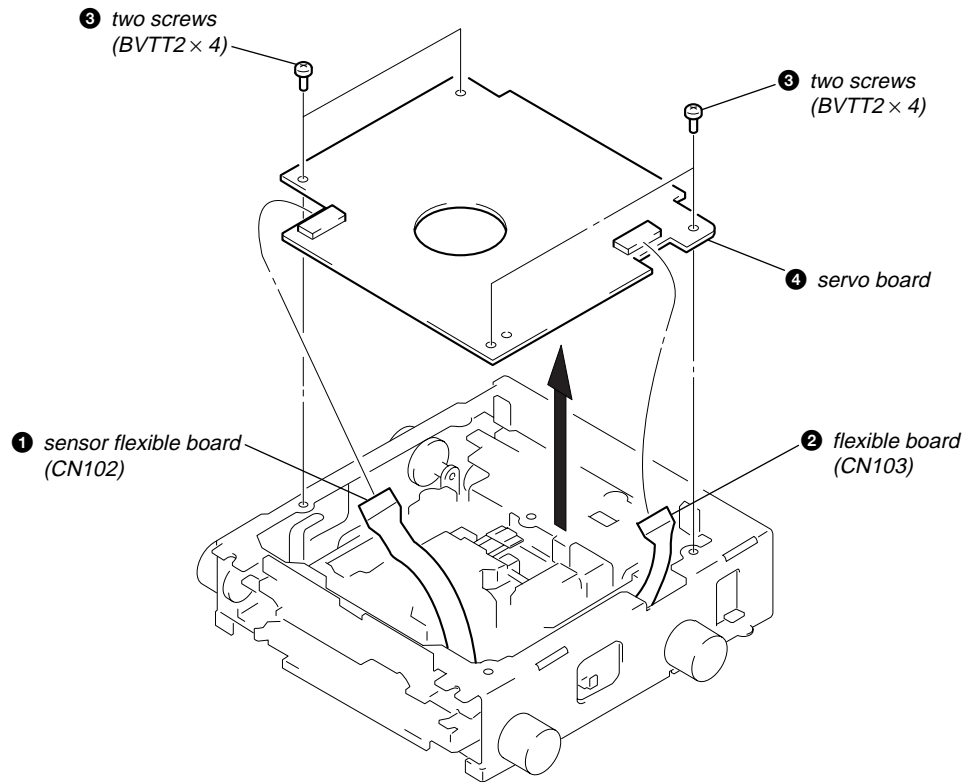
## MECHANISM DECK (MG-164KT-138)



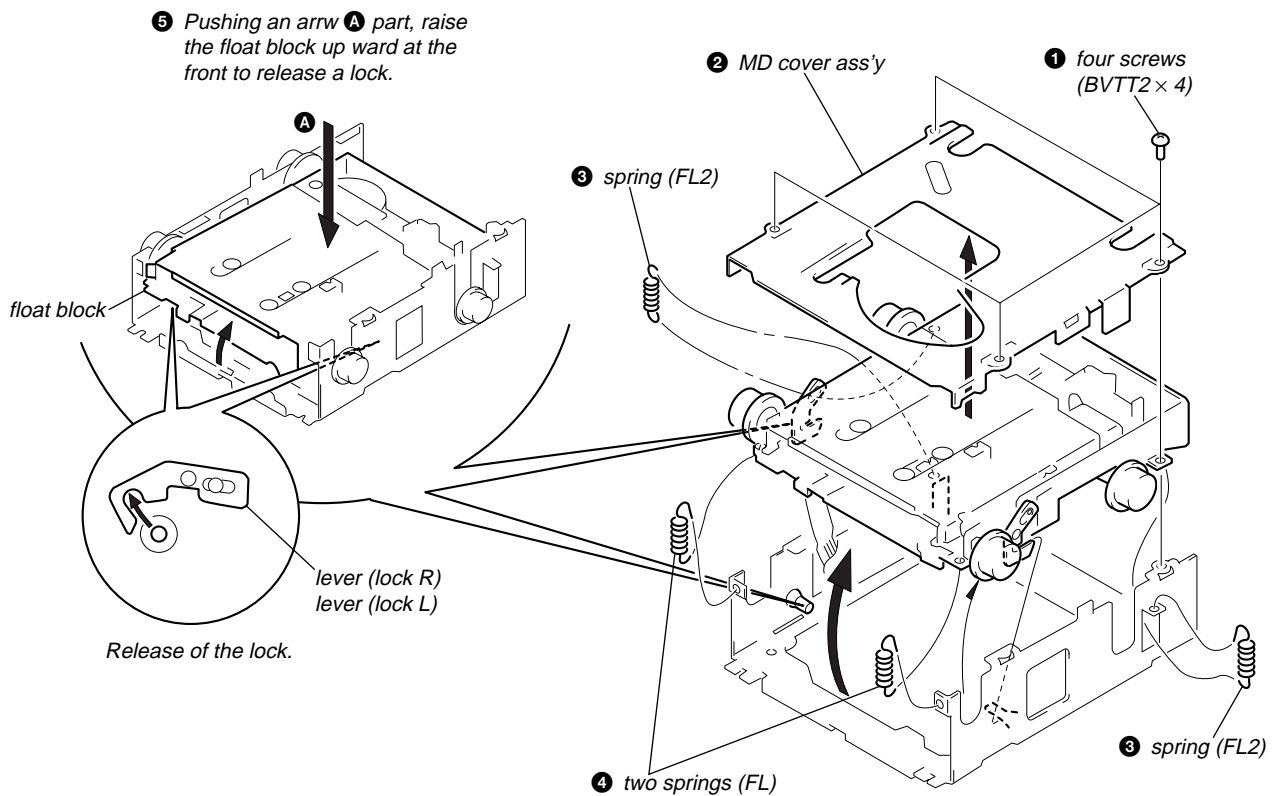
## MAIN BOARD



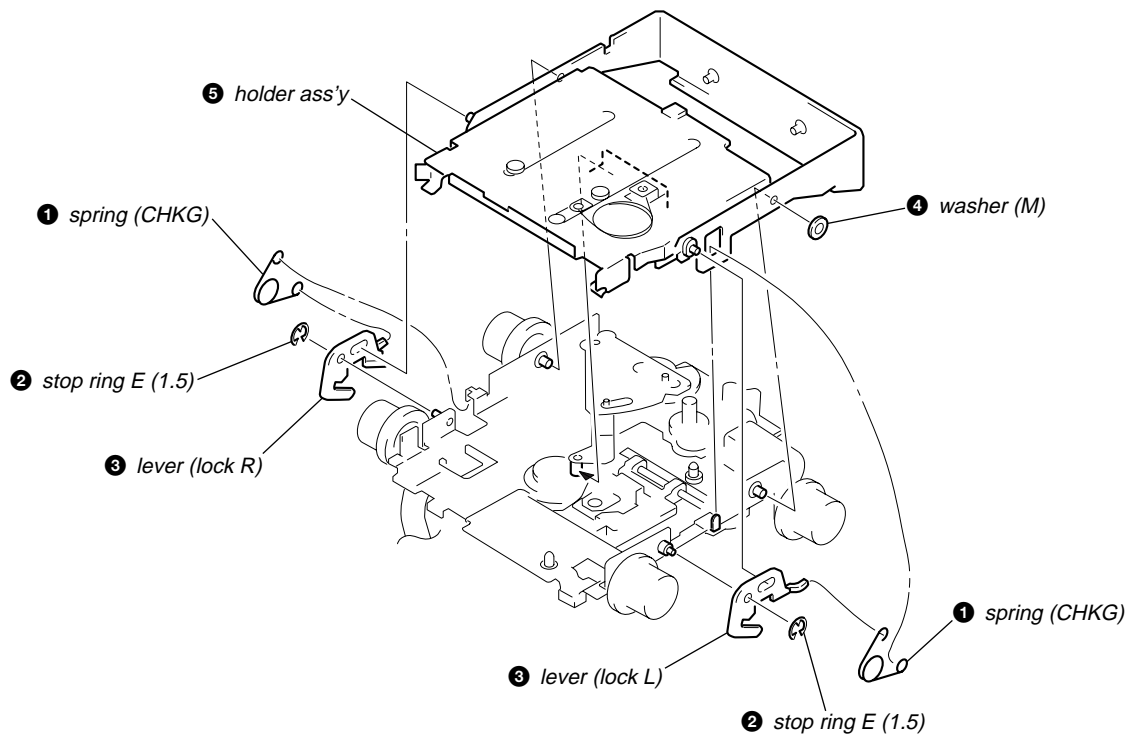
## SERVO BOARD



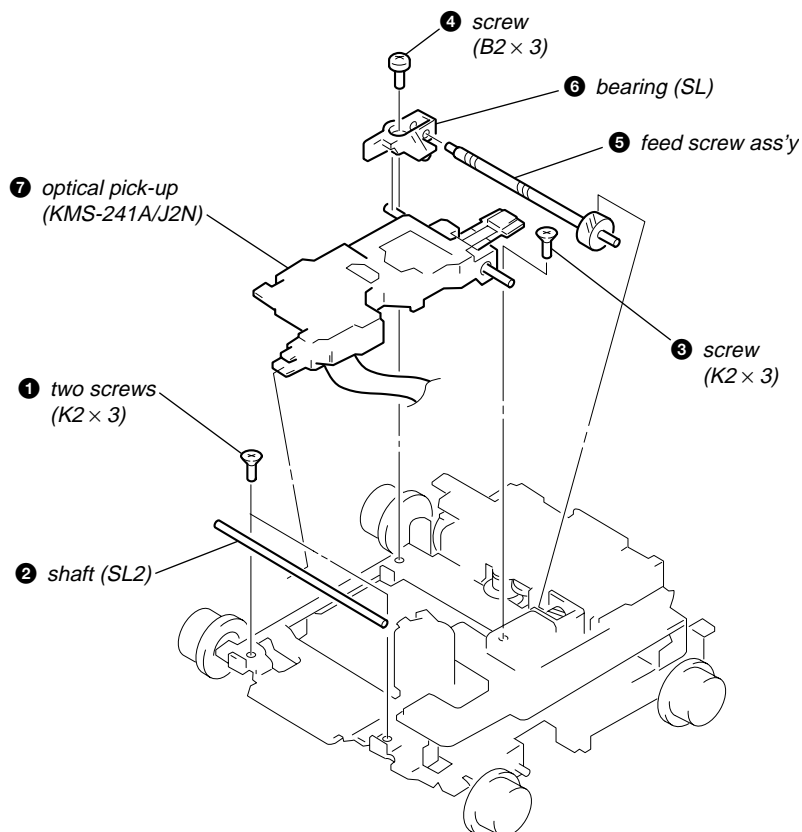
## FLOAT BLOCK



## HOLDER ASS'Y

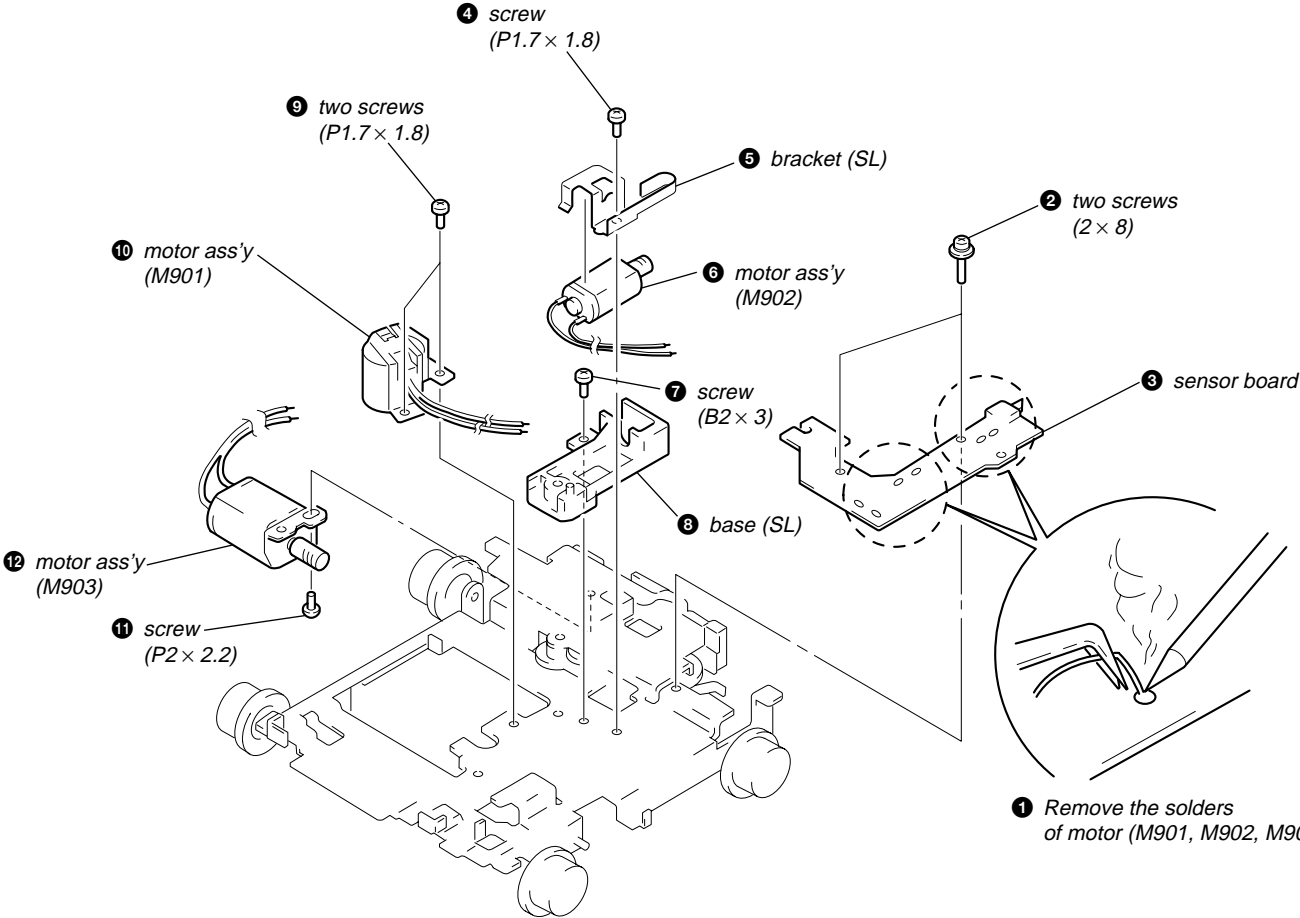


## OPTICAL PICK-UP (KMS-241A/J2N)





**MOTOR ASS'Y (M901, M902, M903), SENSOR BOARD**



# SECTION 4 ELECTRICAL ADJUSTMENTS

## TEST MODE

This set have the test mode function. In the test mode, FM Auto Scan/Stop Level and AM (MW) Auto Scan/Stop Level adjustments can be performed easier than it in ordinary procedure.

<Set the Test Mode>

1. Set the "power select" switch (S700) is "A (ON)" position.
2. Turn ON the regulated power supply. (All LEDs on the set lights up, and the clock is displayed.)  
**Note:** Press the **[OFF]** button, if the clock is not displayed.
3. Push the preset **[4]** button.
4. Push the preset **[5]** button.
5. Press the preset **[1]** button for more than two seconds.
6. Then the display indicates all lights, the test mode is set.

<Release the Test mode>

1. Push the **[OFF]** button.
2. Return the "power select" switch (S700) to initially set position.

See the adjustment location from on page 20 for the adjustment.

## MD SECTION

MD section adjustments are done automatically in this set.

## TUNER SECTION

0 dB=1  $\mu$ V

### Cautions during repair

When the tuner unit is defective, replace it by a new one because its internal block is difficult to repair.

### Note:

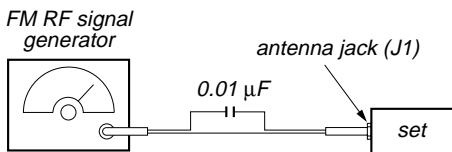
Adjust the tuner section in the sequence shown below.

1. FM Auto Scan/Stop Level Adjustment.
2. FM Stereo Separation Adjustmnet.
3. AM (MW) Auto Scan/Stop Level Adjustment.
4. RDS S-Meter Adjustment.

## FM Auto Scan/Stop Level Adjustment

### Setting:

**[SOURCE]** button: FM

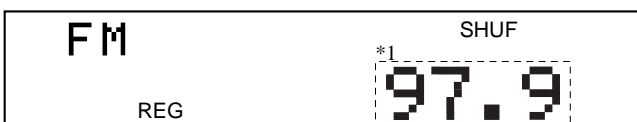


Carrier frequency: 97.9 MHz (MDX-C7900)  
98.0 MHz (MDX-C7900R)  
Output level : 22 dB (12.6  $\mu$ V)  
Mode : mono  
Modulation : 1 kHz, 22.5 kHz deviation (30%)

### Procedure:

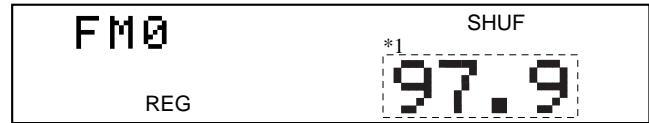
1. Set to the test mode.
2. Push the **[SOURCE]** button and set to FM.

Display



3. Adjust with the volume RV2 on TU1 so that the "FM" indication turns to "FM0" indication on the display window. But, in case of already indicated "FM0", turn the RV2 so that put out light "0" indication and adjustment.

Display



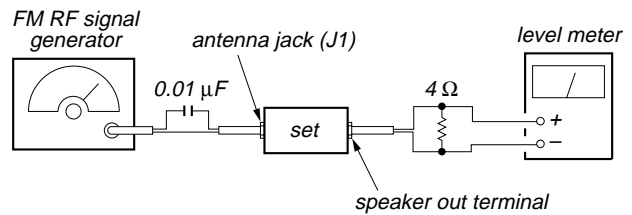
\*1: MDX-C7900R is indicates "98.00".

**Adjustment Location:** See page 20.

## FM Stereo Separation Adjustment

### Setting:

**[SOURCE]** button: FM



		MDX-C7900	MDX-C7900R
Carrier frequency		97.9 MHz	98.0 MHz
Output level		60 dB (1 mV)	70 dB (3.2 mV)
Mode		stereo	stereo
Modulation	main	1 kHz, 33.75 kHz deviation (45%)	1 kHz, 20 kHz deviation (22.6%)
	sub	1 kHz, 33.75 kHz deviation (45%)	1 kHz, 20 kHz deviation (22.6%)
	19 kHz pilot	7.5 kHz deviation (10%)	7.5 kHz deviation (10%)

### Procedure:

FM Stereo signal generator output channel	Level meter connection	Level meter reading (dB)
L-CH	L-CH	Ⓐ
R-CH	L-CH	Ⓑ Adjust RV4 on TU1 for minimum reading.
R-CH	R-CH	Ⓒ
L-CH	R-CH	Ⓓ Adjust RV4 on TU1 for minimum reading.

L-CH Stereo separation: Ⓐ-Ⓑ

R-CH Stereo separation: Ⓒ-Ⓓ

The separations of both channels should be equal.

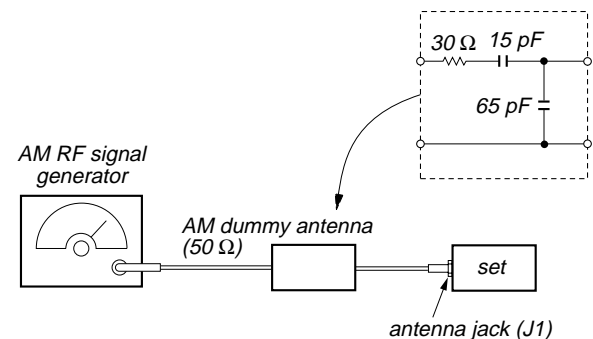
**Specification:** Separation more than 30 dB

**Adjustment Location:** See page 20.

### AM (MW) Auto Scan/Stop Level Adjustment

#### Setting:

- SOURCE** button (MDX-C7900): AM
- SOURCE** button (MDX-C7900R): MW

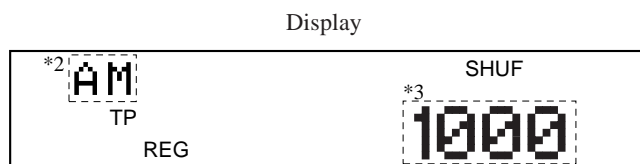


Carrier frequency: 1000 kHz (MDX-C7900)  
999 kHz (MDX-C7900R)

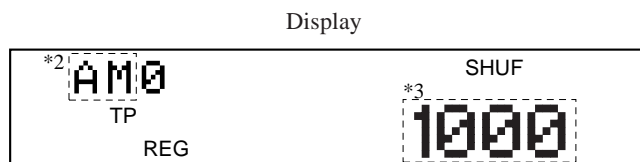
30% amplitude modulation by  
1 kHz signal  
Output level : 33 dB (44.7 μV)

#### Procedure:

1. Set to the test mode. (See page 18.)
2. Push the **SOURCE** button and set to FM.
3. Push the **MODE** button and set to AM (MDX-C7900) or MW (MDX-C7900R).



4. Adjust with the volume RV1 on TU1 so that the "AM" or "MW" indication turns to "AM0" or "MW0" indication on the display window.  
But, in case of already indicated "AM0" or "MW0", turn the RV1 so that put out light "0" indication and adjustment.



\*2: MDX-C7900R is indicates "MW".

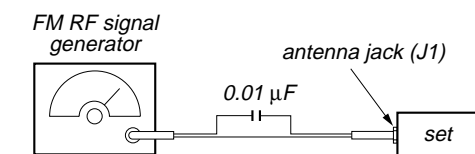
\*3: MDX-C7900R is indicates "999".

**Adjustment Location:** See page 20.

### RDS S-Meter Adjustment (MDX-C7900R)

#### Setting:

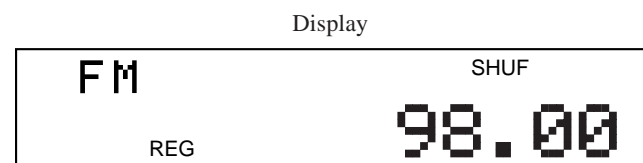
- SOURCE** button: FM



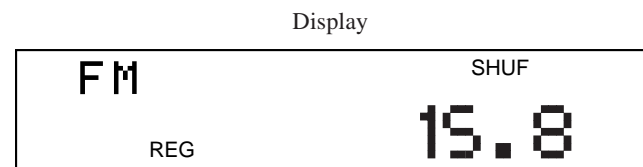
Carrier frequency: 98.0 MHz  
Output level : 35 dB (56.2 μV)  
Mode : mono  
Modulation : no modulation

#### Procedure:

1. Set to the test mode. (See page 18.)
2. Push the **SOURCE** button and set to FM.



3. Push the preset **10** button.
4. Adjust RV1 on MAIN board so that the display indication is "15.8".

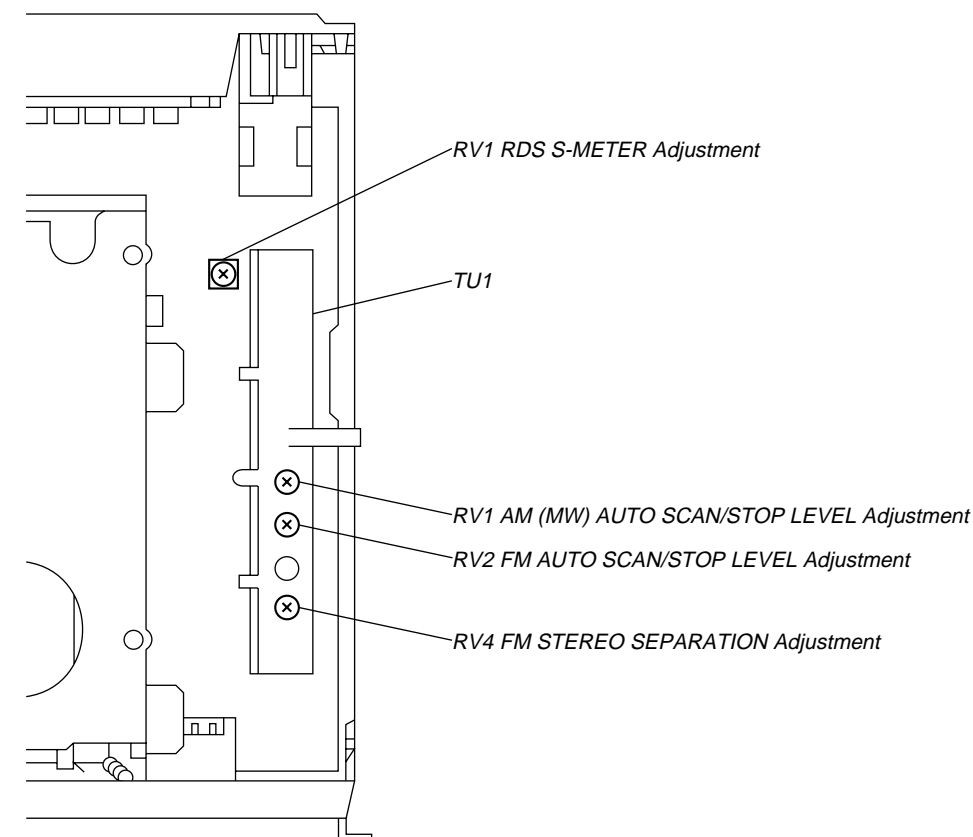


**Specification:** Display indication : 15.6 to 16.4

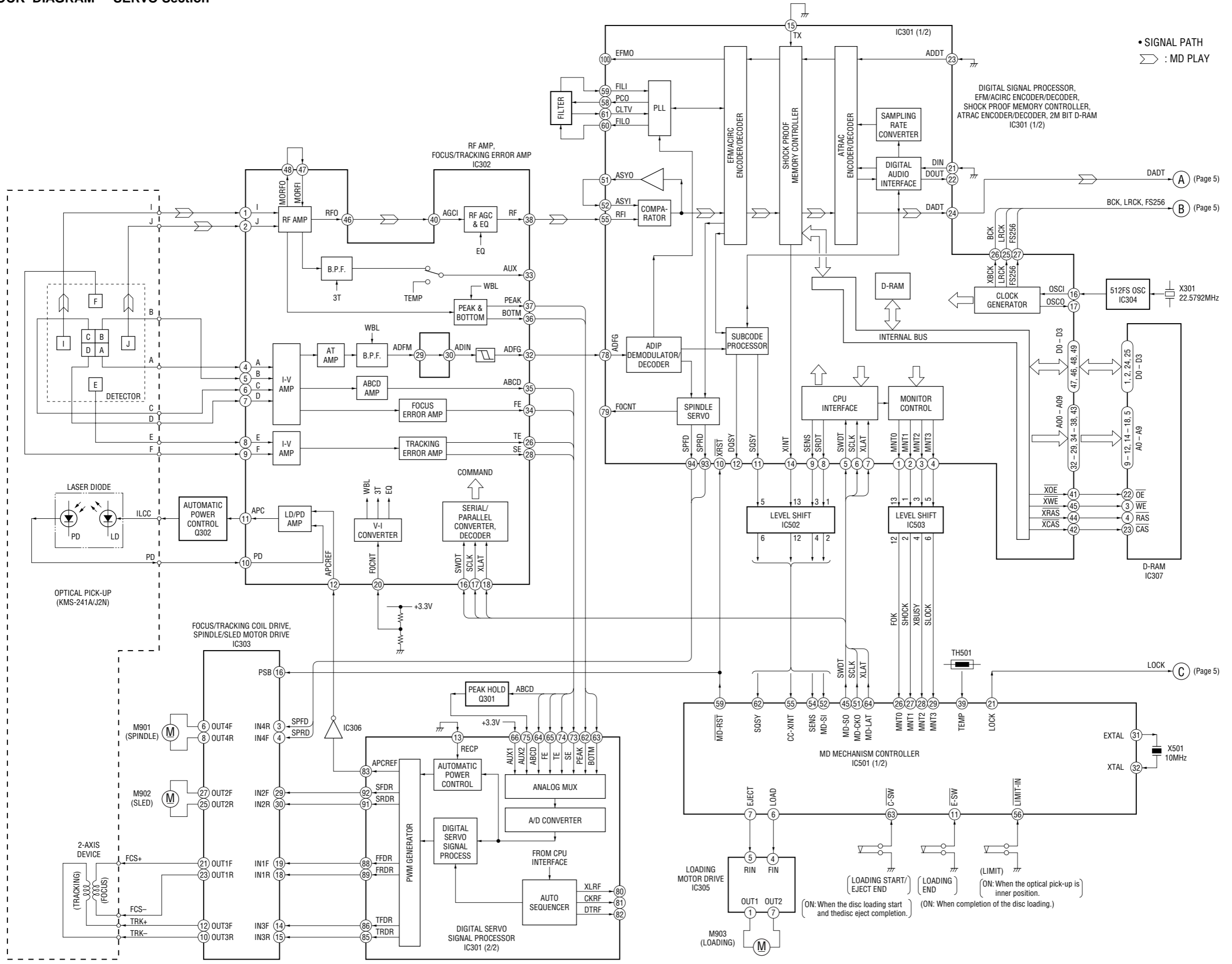
**Adjustment Location:** See page 20.

### Adjustment Location:

– SET UPPER VIEW –



5-1. BLOCK DIAGRAM - SERVO Section -



• SIGNAL PATH  
⇄ : MD PLAY

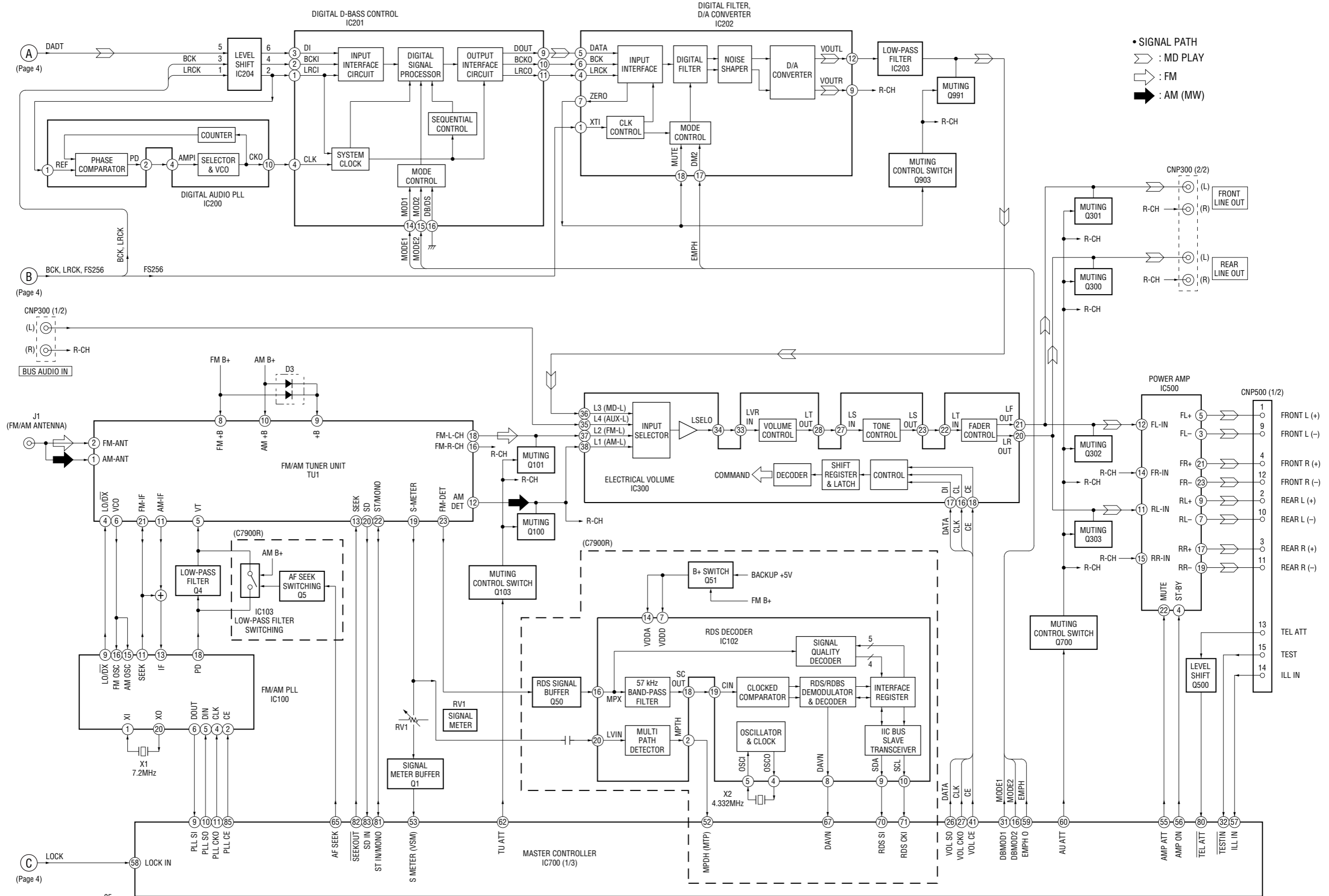
DIGITAL SIGNAL PROCESSOR,  
EFM/ACIRC ENCODER/DECODER,  
SHOCK PROOF MEMORY CONTROLLER,  
ATRAC ENCODER/DECODER, 2M BIT D-RAM  
IC301 (1/2)

DADT (A) (Page 5)  
BCK, LRCK, FS256 (B) (Page 5)

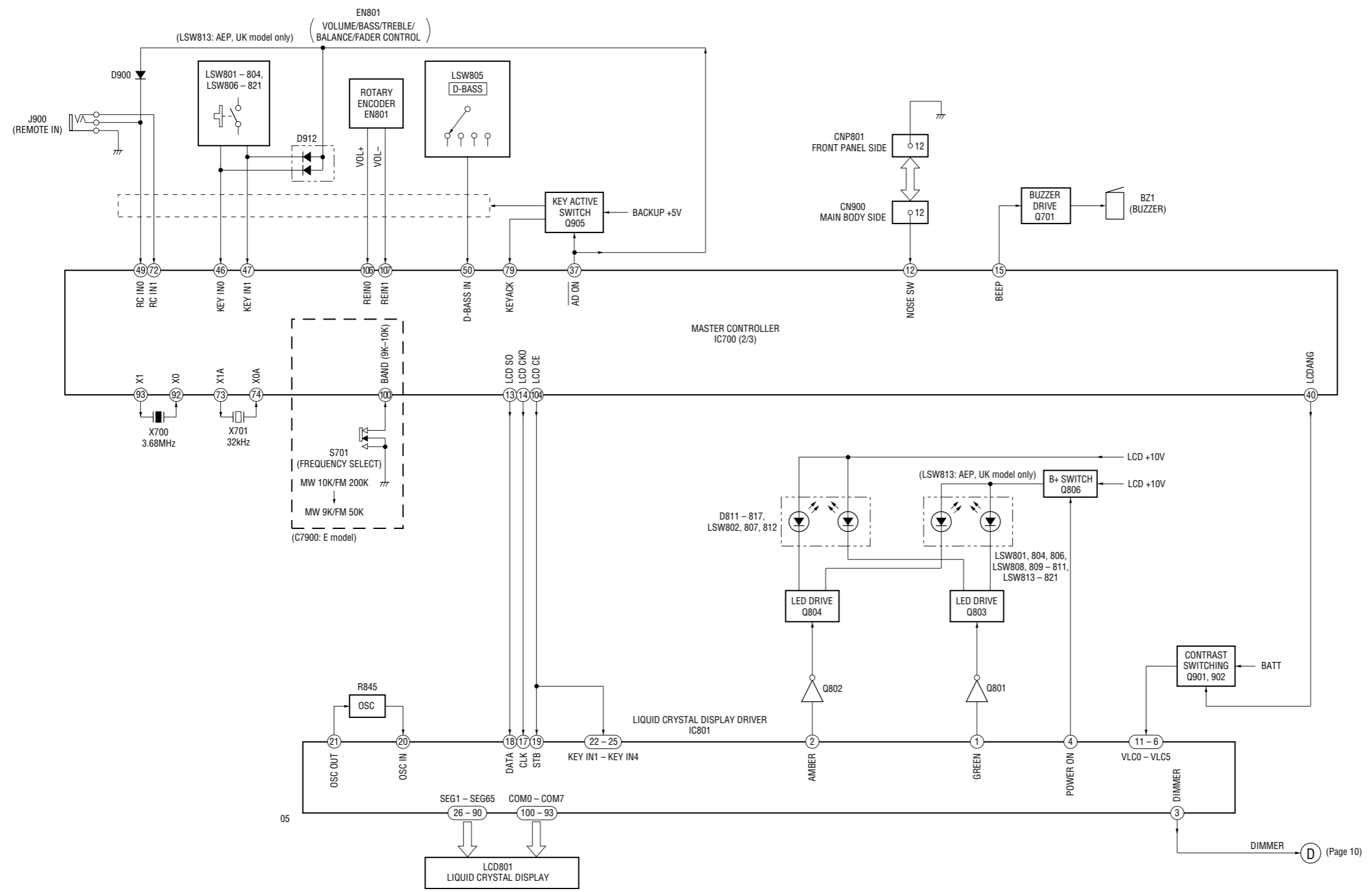
LOCK (C) (Page 5)

EXTAL (31)  
XTAL (32)

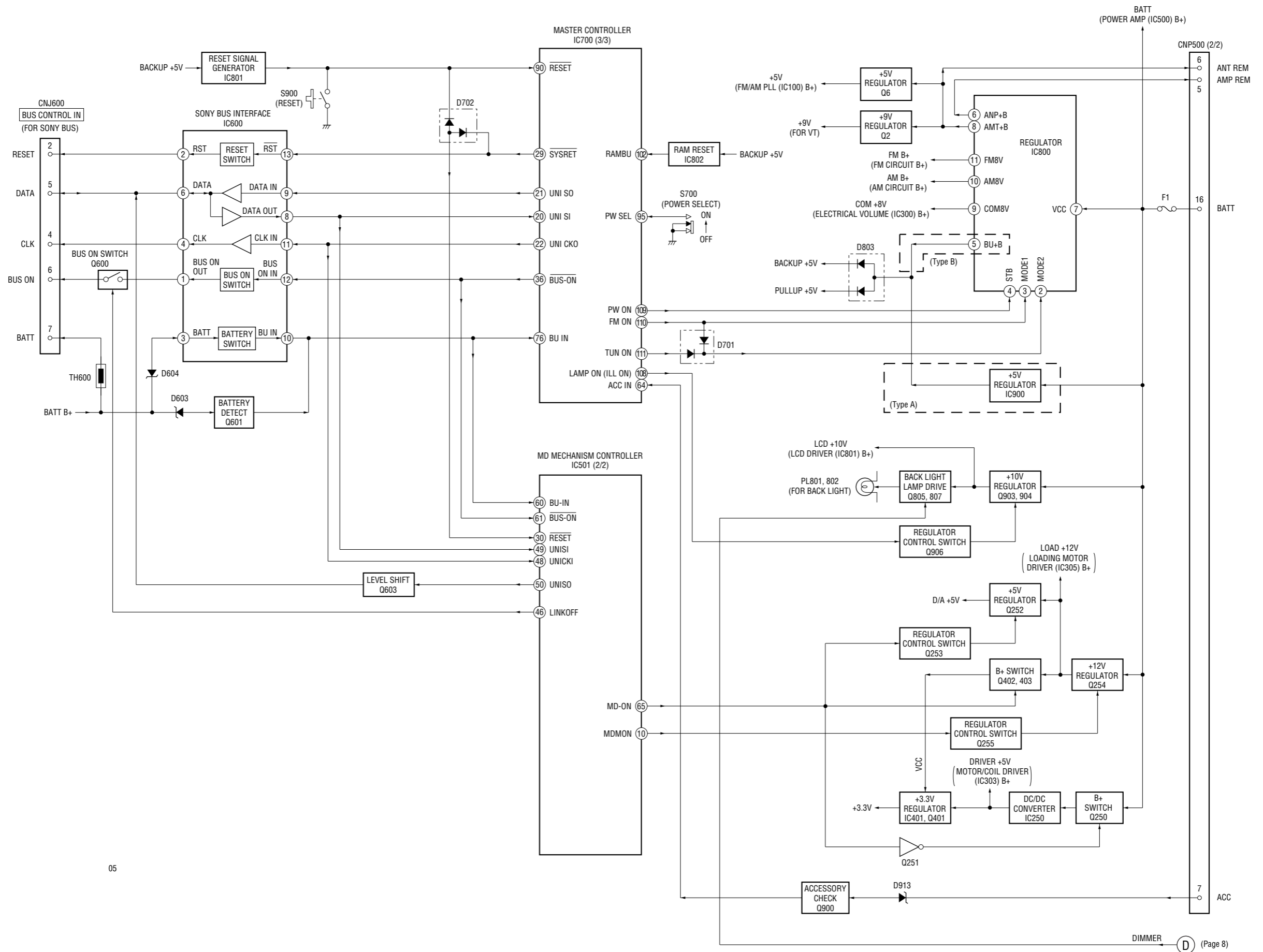
5-2. BLOCK DIAGRAM – MAIN Section –



5-3. BLOCK DIAGRAM – DISPLAY/KEY CONTROL Section –



5-4. BLOCK DIAGRAM – BUS CONTROL/POWER SUPPLY Section –

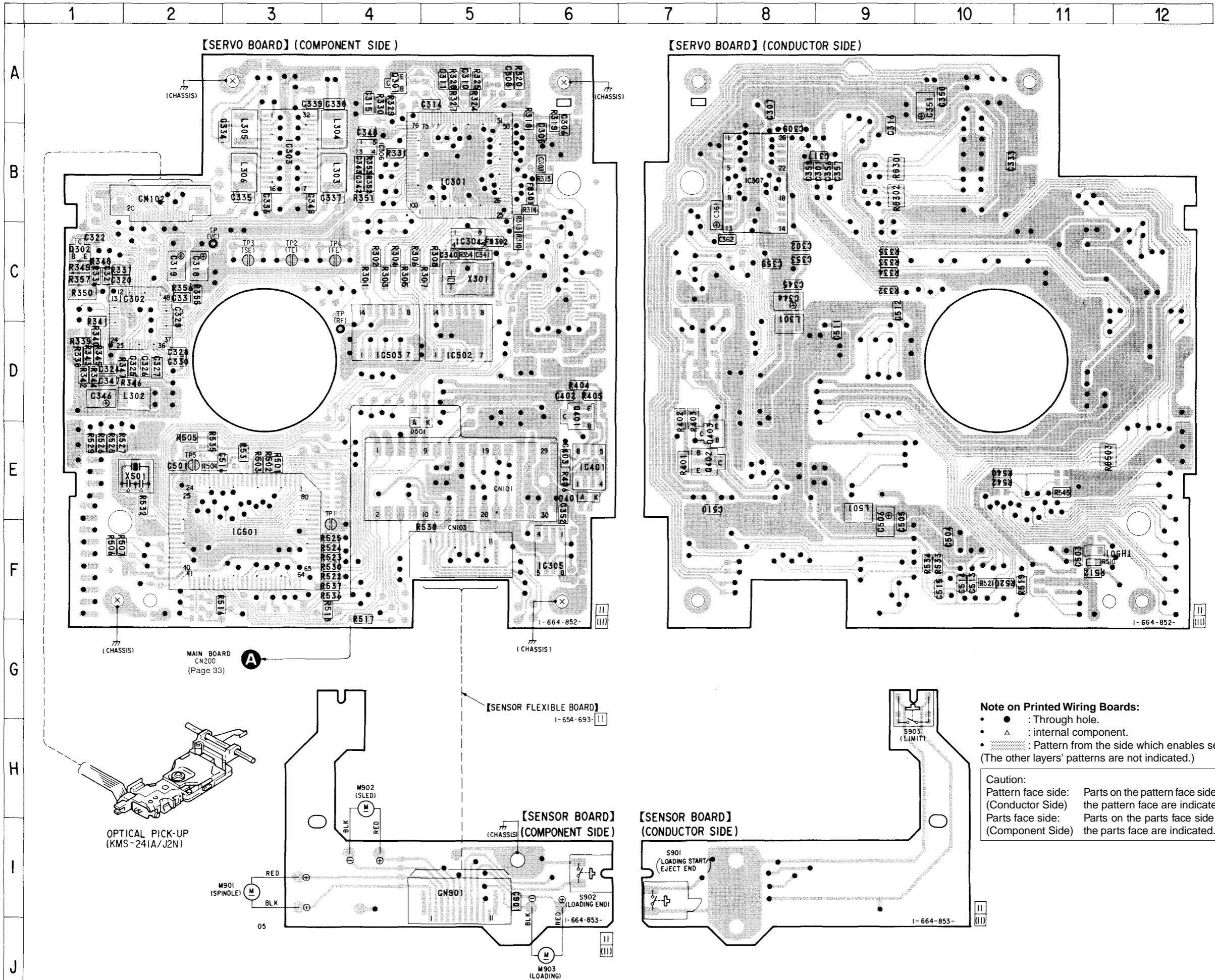


05

5-5. PRINTED WIRING BOARDS - MECHANISM DECK Section -

• Semiconductor Location

Ref. No.	Location
D401	E-6
D501	E-4
IC301	B-5
IC302	C-2
IC303	B-3
IC304	C-5
IC305	F-6
IC306	B-4
IC307	B-8
IC401	E-6
IC501	F-3
IC502	D-5
IC503	D-4
Q301	A-4
Q302	C-1
Q401	D-6
Q402	E-7
Q403	E-7



**Note on Printed Wiring Boards:**

- : Through hole.
- Δ : internal component.
- (stippled) : Pattern from the side which enables seeing. (The other layers' patterns are not indicated.)

**Caution:**

Pattern face side: Parts on the pattern face side seen from the pattern face are indicated.  
 Parts face side: Parts on the parts face side seen from the parts face are indicated.



**Note on Schematic Diagram:**

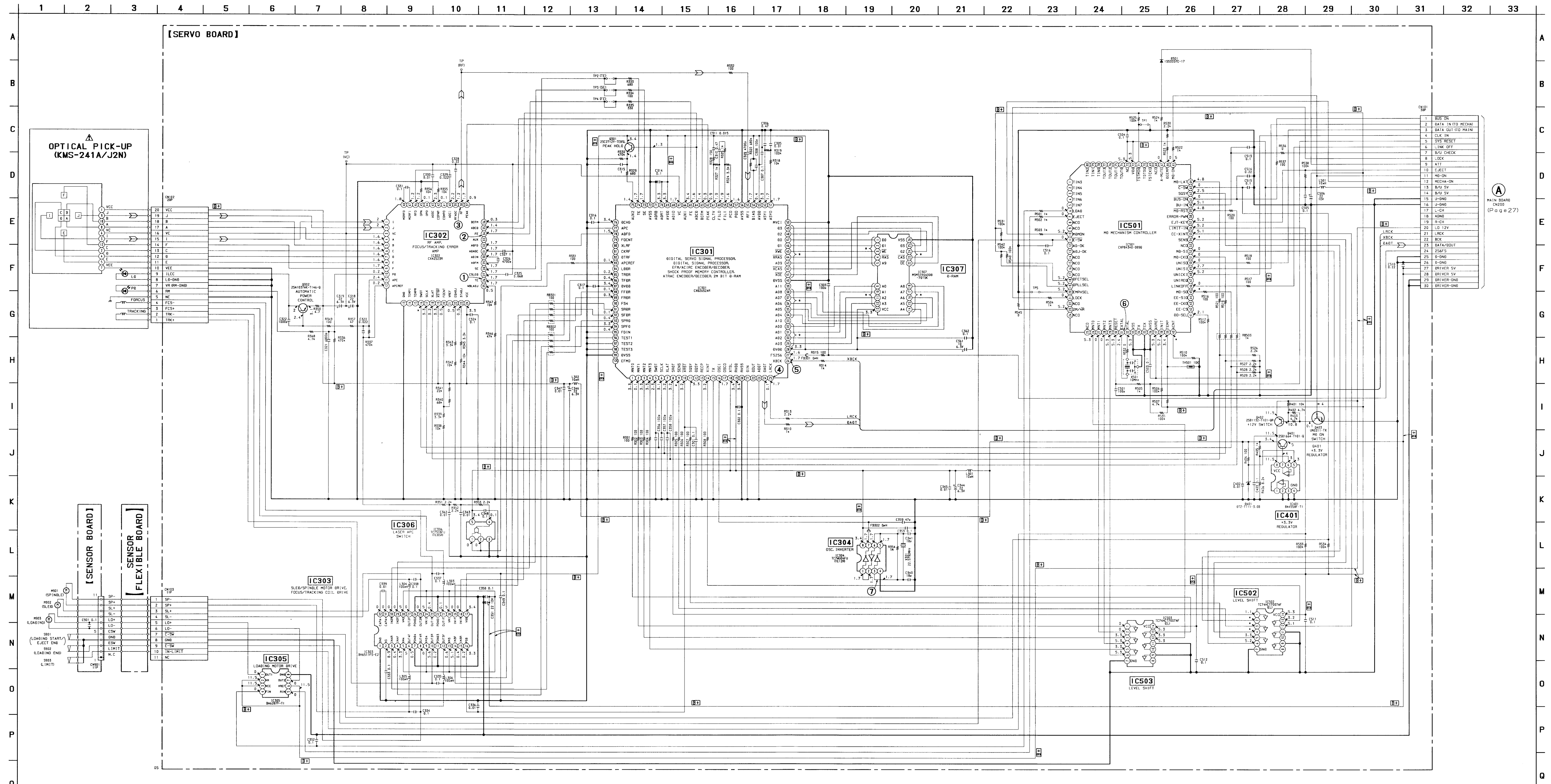
- All capacitors are in  $\mu\text{F}$  unless otherwise noted.  $\text{pF}$ ,  $\mu\text{F}$ ,  $\mu\text{F}$  50 WV or less are not indicated except for electrolytics and tantalums.
- All resistors are in  $\Omega$  and  $1/4\text{W}$  or less unless otherwise specified.
- $\Delta$  : internal component.

**Note:**  
The components identified by mark  $\Delta$  or dotted line with mark  $\Delta$  are critical for safety. Replace only with part number specified.

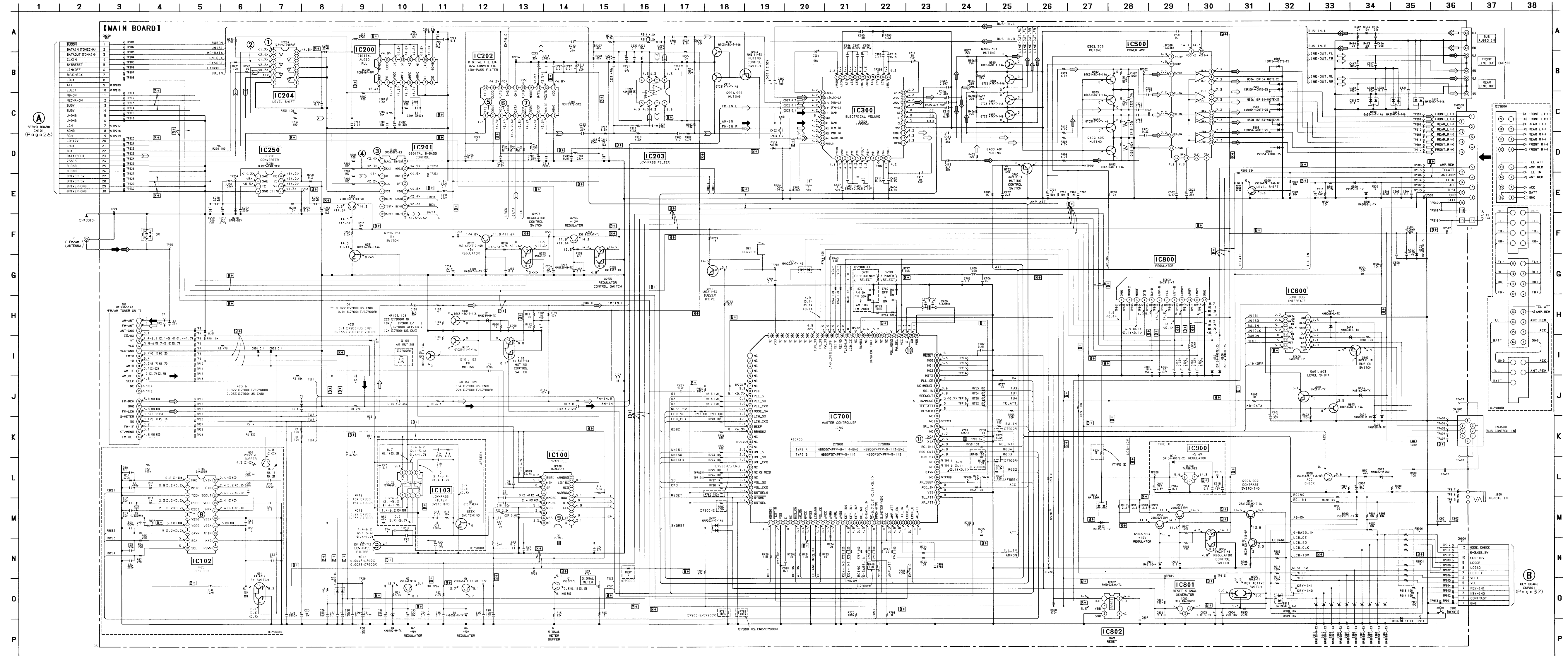
**Note:**  
Les composants identifiés par une marque  $\Delta$  sont critiques pour la sécurité. Ne les remplacer que par une pièce portant le numéro spécifié.

- $\square$  : B+ Line.
- Power voltage is dc 1.4V and fed with regulated dc power supply from ACC and BATT cords.
- Voltages and waveforms are dc with respect to ground under no-signal conditions.
- \* : Impossible to measure
- Voltages are taken with a VOM (Input impedance 10 M $\Omega$ ). Voltage variations may be noted due to normal production tolerances.
- Waveforms are taken with an oscilloscope. Voltage variations may be noted due to normal production tolerances.
- Circled numbers refer to waveforms.
- Signal path.
- $\Sigma$  : MD

5-6. SCHEMATIC DIAGRAM – MECHANISM DECK Section – • See page 39 for IC Block Diagrams and page 45 for Waveforms.



5-7. SCHEMATIC DIAGRAM – MAIN Section – • See page 3 for Type A/Type B Discrimination. • See page 42 for IC Block Diagrams and page 45 for Waveforms.



**Note on Schematic Diagram:**

- All capacitors are in  $\mu\text{F}$  unless otherwise noted.  $\text{pF}$ ;  $\mu\text{F}$  50 WV or less are not indicated except for electrolytics and tantalums.
- All resistors are in  $\Omega$  and  $1/4\text{W}$  or less unless otherwise specified.
- $\Delta$  : internal component.
- $\square$  : panel designation.
- $\square$  : B+ Line.
- $\square$  : adjustment for repair.
- Power voltage is dc 14.4V and fed with regulated dc power supply from ACC and BATT cords.
- Voltages and waveforms are dc with respect to ground under no-signal (detuned) conditions.
- no mark : FM
- ( ) : AM
- ( ) : LW
- < > : MD

- Voltages are taken with a VOM (Input impedance 10M $\Omega$ ). Voltage variations may be noted due to normal production tolerances.
- Waveforms are taken with an oscilloscope. Voltage variations may be noted due to normal production tolerances.
- Circled numbers refer to waveforms.
- Signal path:
  - $\square$  : FM
  - $\square$  : AM
  - $\square$  : MD
  - $\square$  : BUS AUDIO IN
- Abbreviation:
  - CND : Canadian
  - G : German

• Semiconductor Location (Component Side)

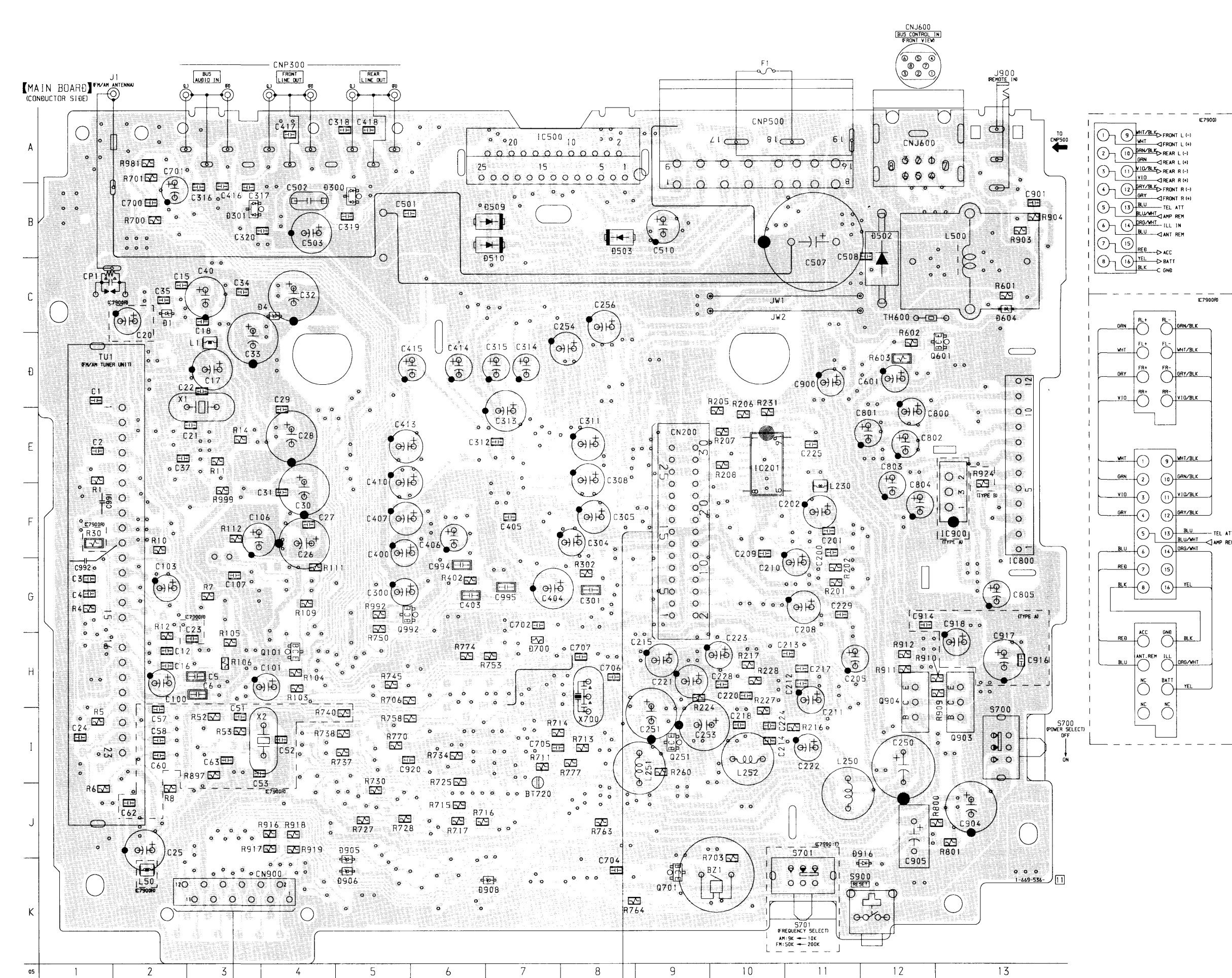
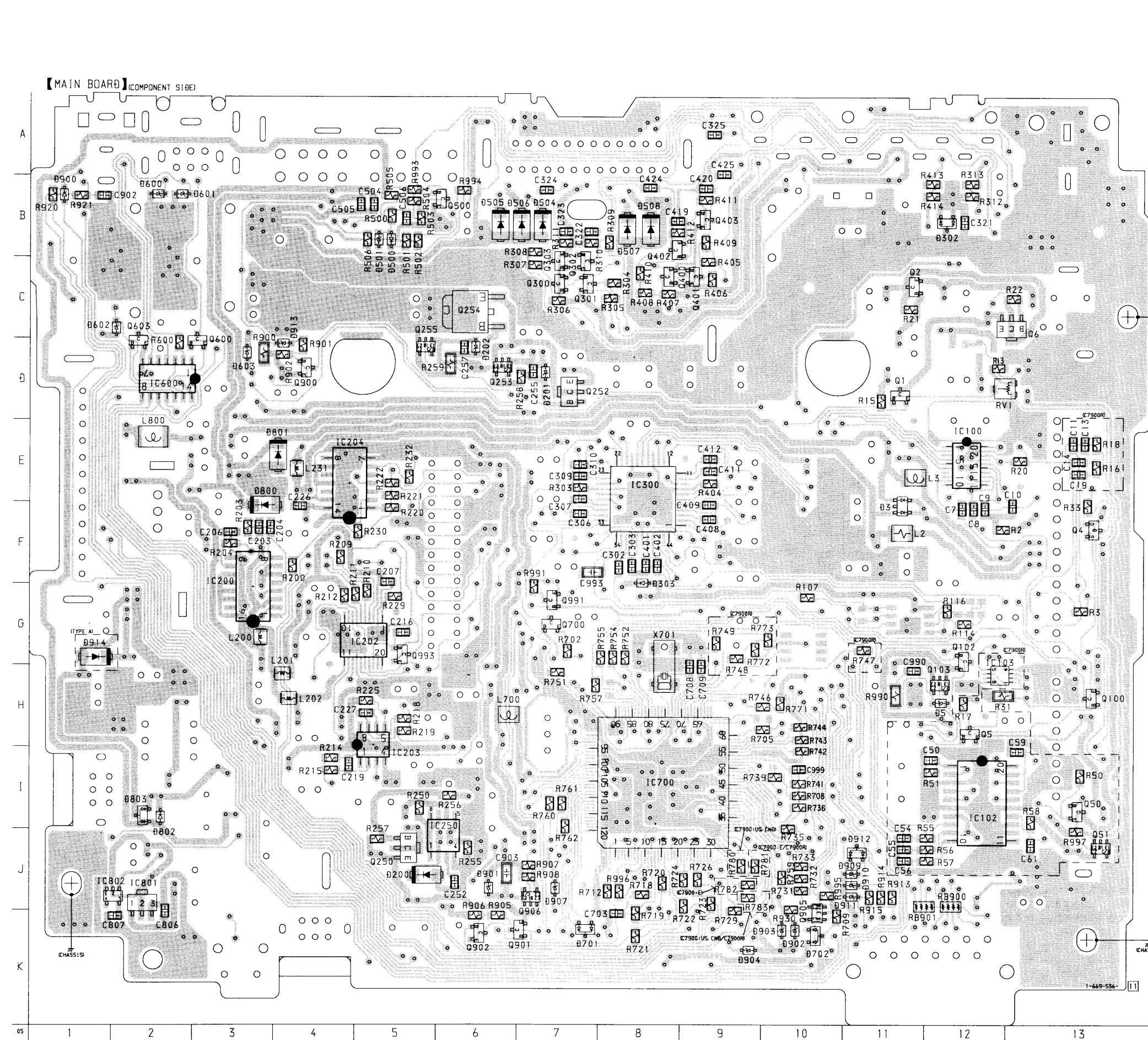
Ref. No.	Location	Ref. No.	Location
D3	F-11	IC204	E-4
D5	H-12	IC250	J-6
D200	J-5	IC300	E-8
D201	D-7	IC600	D-2
D202	D-6	IC700	I-8
D302	B-12	IC801	J-2
D303	G-8	IC802	J-2
D500	B-5		
D501	B-5	Q1	D-11
D504	B-7	Q2	C-11
D505	B-6	Q4	F-13
D506	B-7	Q5	H-12
D507	B-8	Q6	C-13
D508	B-8	Q50	I-13
D600	B-2	Q51	J-13
D601	B-2	Q100	H-13
D602	C-2	Q102	G-12
D603	D-3	Q103	H-12
D701	K-7	Q250	J-5
D702	K-10	Q252	D-7
D800	F-3	Q253	D-6
D801	E-4	Q254	C-6
D802	I-2	Q255	D-5
D803	I-2	Q300	C-7
D900	B-1	Q301	C-7
D901	J-6	Q302	C-7
D902	K-10	Q303	C-7
D903	K-10	Q400	C-8
D904	K-9	Q401	C-9
D907	J-7	Q402	B-8
D909	J-11	Q403	B-9
D910	J-11	Q500	B-6
D911	J-11	Q600	D-3
D912	J-11	Q603	D-2
D913	D-4	Q700	G-7
D914	G-1	Q800	D-4
		Q901	K-7
IC100	E-12	Q902	K-6
IC102	I-12	Q905	K-10
IC103	H-12	Q906	J-7
IC200	F-3	Q991	G-7
IC202	G-5	Q993	G-5
IC203	H-5		

**Note on Printed Wiring Board:**  
 • : parts extracted from the component side.  
 • Δ : internal component.  
 [Pattern] : Pattern from the side which enables seeing.  
 (The other layers' patterns are not indicated.)

**Caution:**  
 Pattern face side: Parts on the pattern face side seen from (Conductor Side) the pattern face are indicated.  
 Parts face side: Parts on the parts face side seen from (Component Side) the parts face are indicated.

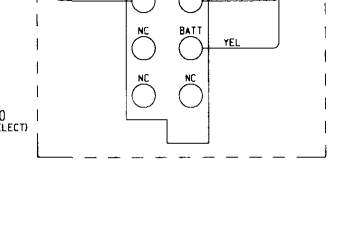
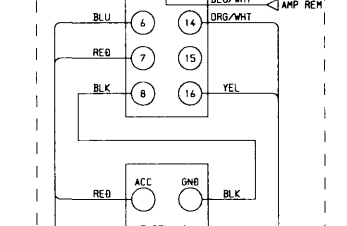
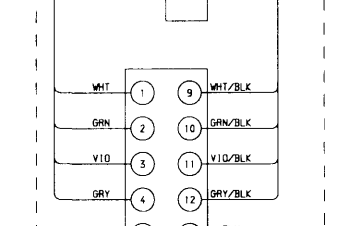
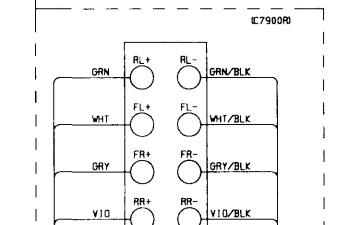
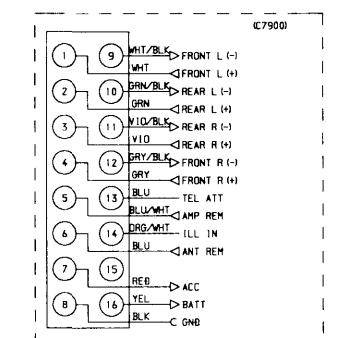
• Abbreviation  
 CND : Canadian

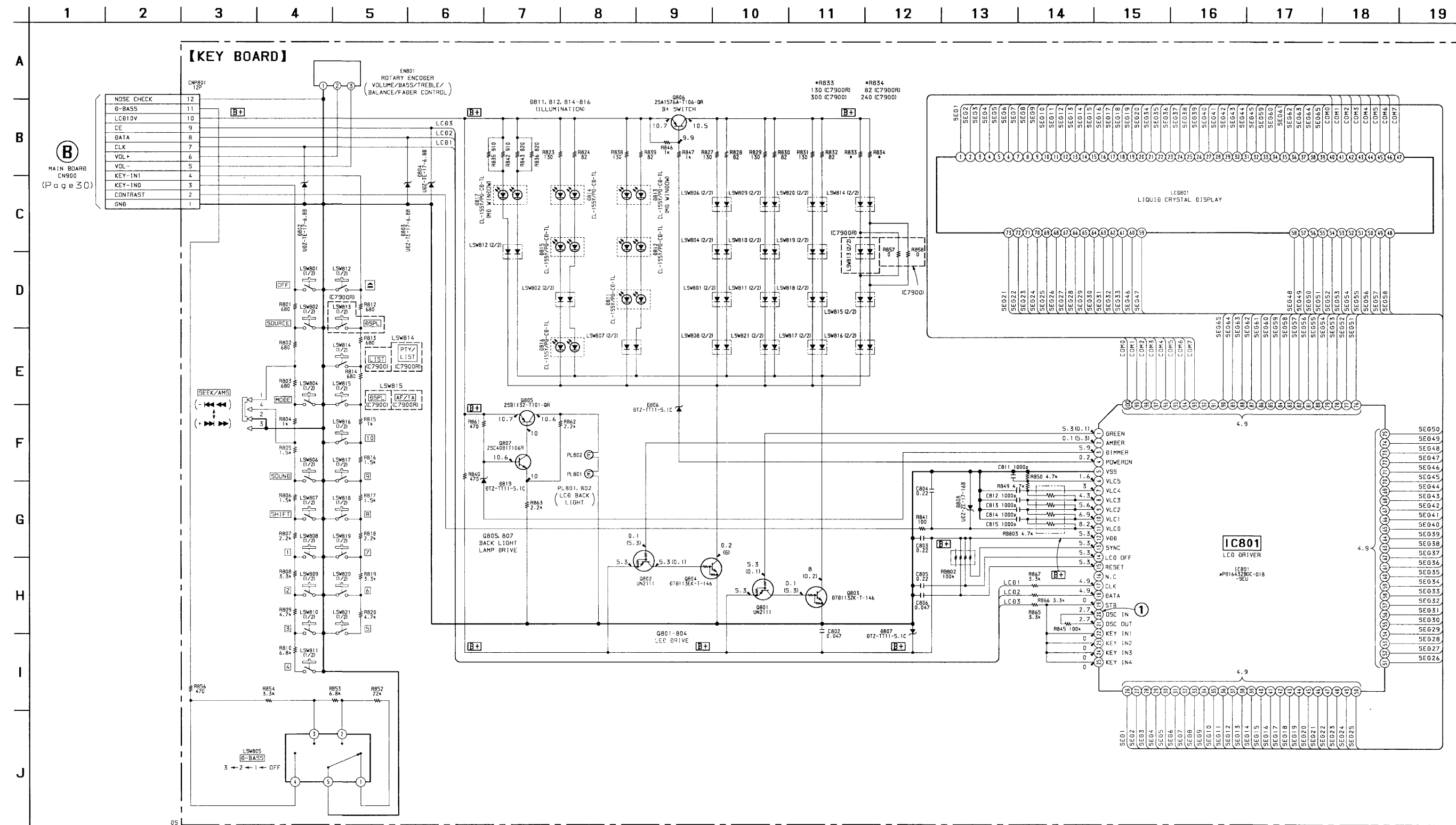
5-8. PRINTED WIRING BOARD – MAIN Section – • See page 3 for Type A/Type B Discrimination.



• Semiconductor Location (Conductor Side)

Ref. No.	Location
D1	C-2
D4	C-4
D300	B-5
D301	B-3
D502	B-12
D503	B-8
D509	B-7
D510	B-7
D604	C-13
D700	H-7
D905	K-5
D906	K-5
D908	K-7
D916	K-12
IC201	E-10
IC500	A-7
IC800	E-13
IC900	F-13
Q101	H-4
Q251	I-9
Q601	D-13
Q701	K-9
Q903	H-13
Q904	H-12
Q992	G-5

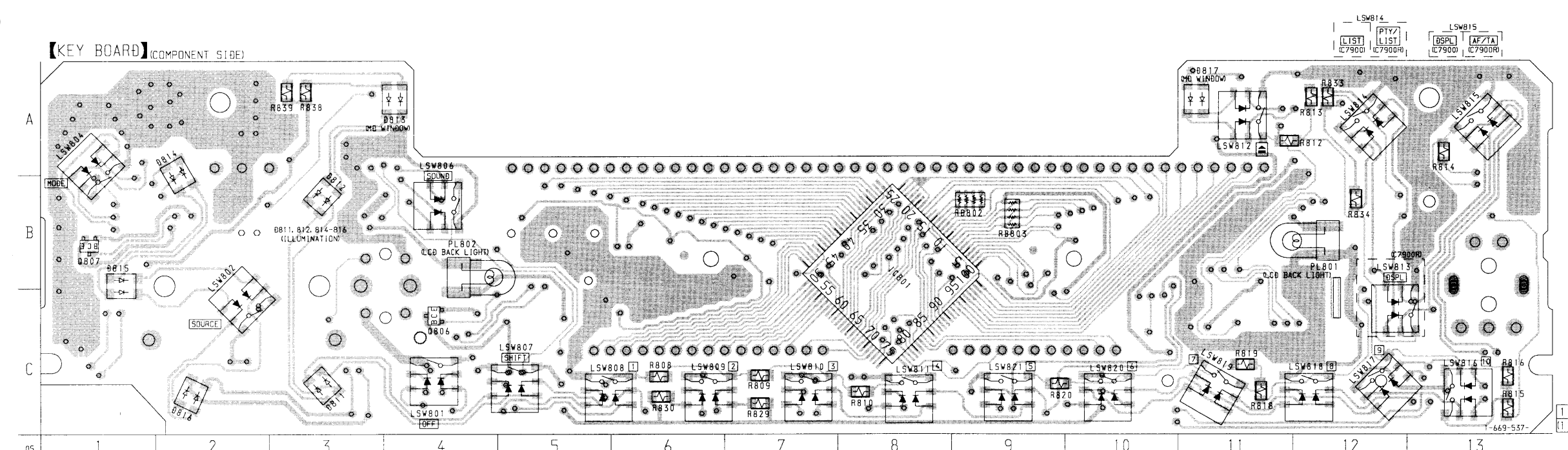




**Note on Schematic Diagram:**

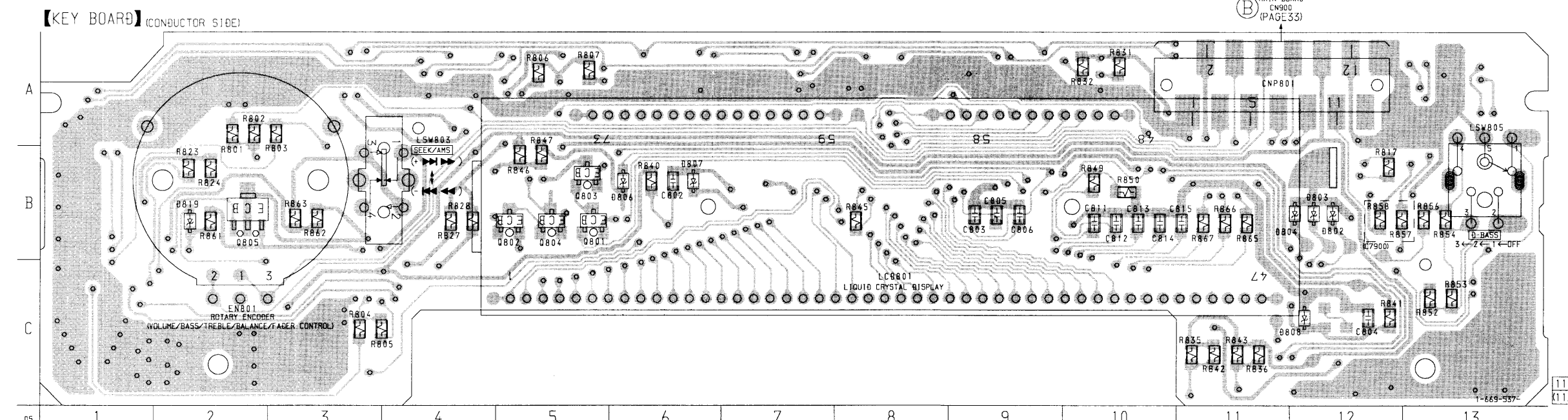
- All capacitors are in  $\mu\text{F}$  unless otherwise noted.  $\text{pF}$ ;  $\mu\text{mF}$  50 WV or less are not indicated except for electrolytics and tantalums.
- All resistors are in  $\Omega$  and  $1/4\text{W}$  or less unless otherwise specified.
- Panel designation.
- [B+]**: B+ Line.
- Power voltage is dc 14.4V and fed with regulated dc power supply from ACC and BATT cords.
- Voltages and waveforms are dc with respect to ground under no-signal (detuned) conditions. no mark: FM (AMBER illumination) ( ): FM (GREEN illumination)
- Voltages are taken with a VOM (Input impedance 10 M $\Omega$ ). Voltage variations may be noted due to normal production tolerances.
- Waveforms are taken with an oscilloscope. Voltage variations may be noted due to normal production tolerances.
- Circled numbers refer to waveforms.

**5-9. PRINTED WIRING BOARD – PANEL Section –**



**Semiconductor Location (Component Side)**

Ref. No.	Location
D811	C-3
D812	B-3
D813	A-4
D814	A-2
D815	B-1
D816	C-2
D817	A-11
IC801	B-8
Q806	C-4
Q807	B-1



**Semiconductor Location (Conductor Side)**

Ref. No.	Location
D802	B-12
D803	B-12
D804	B-12
D806	B-6
D807	B-6
D808	C-12
D819	B-2
Q801	B-5
Q802	B-5
Q803	B-5
Q804	B-5
Q805	B-2

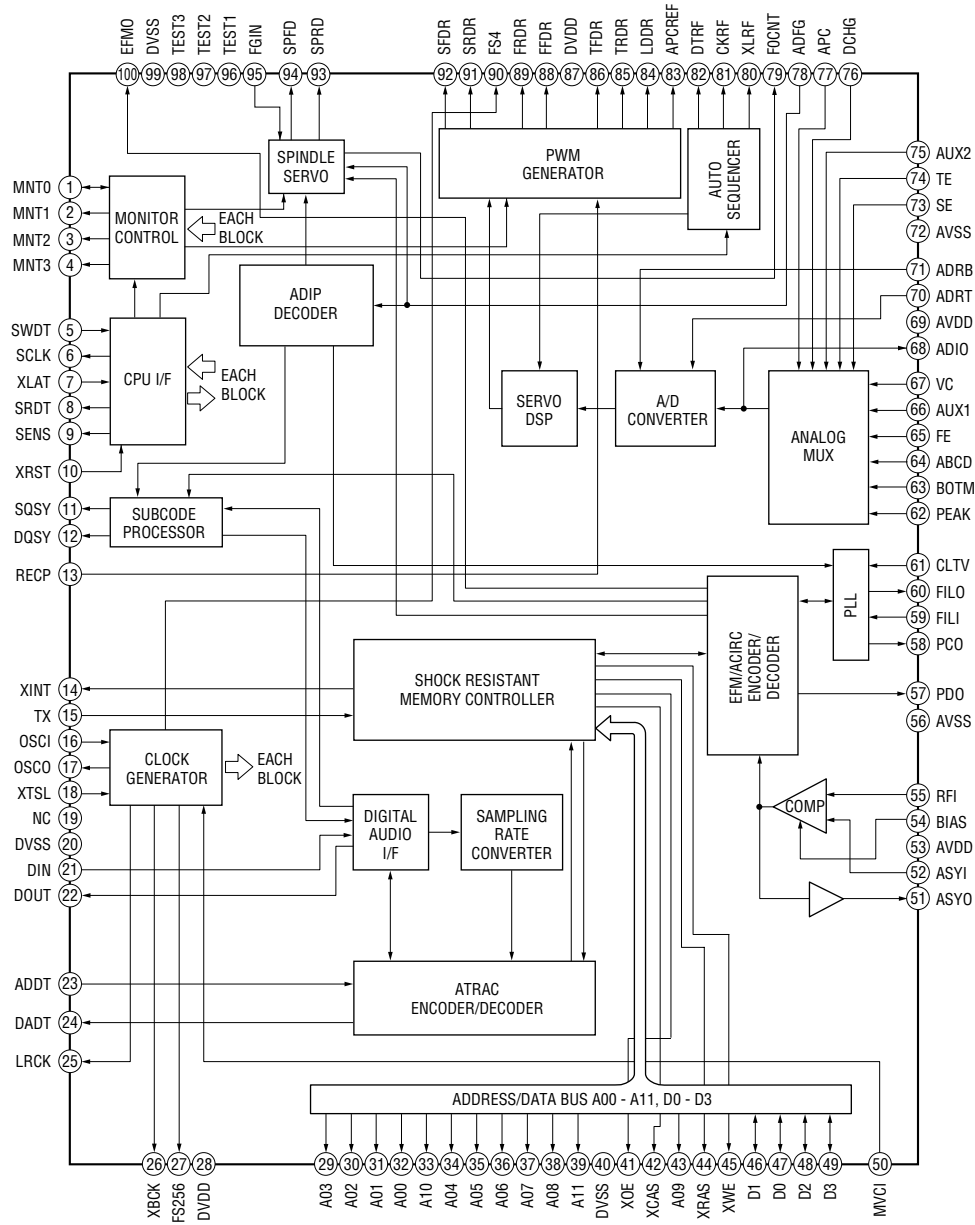
**Note on Printed Wiring Board:**

- Parts extracted from the component side.
- Pattern from the side which enables seeing. (The other layers' patterns are not indicated.)

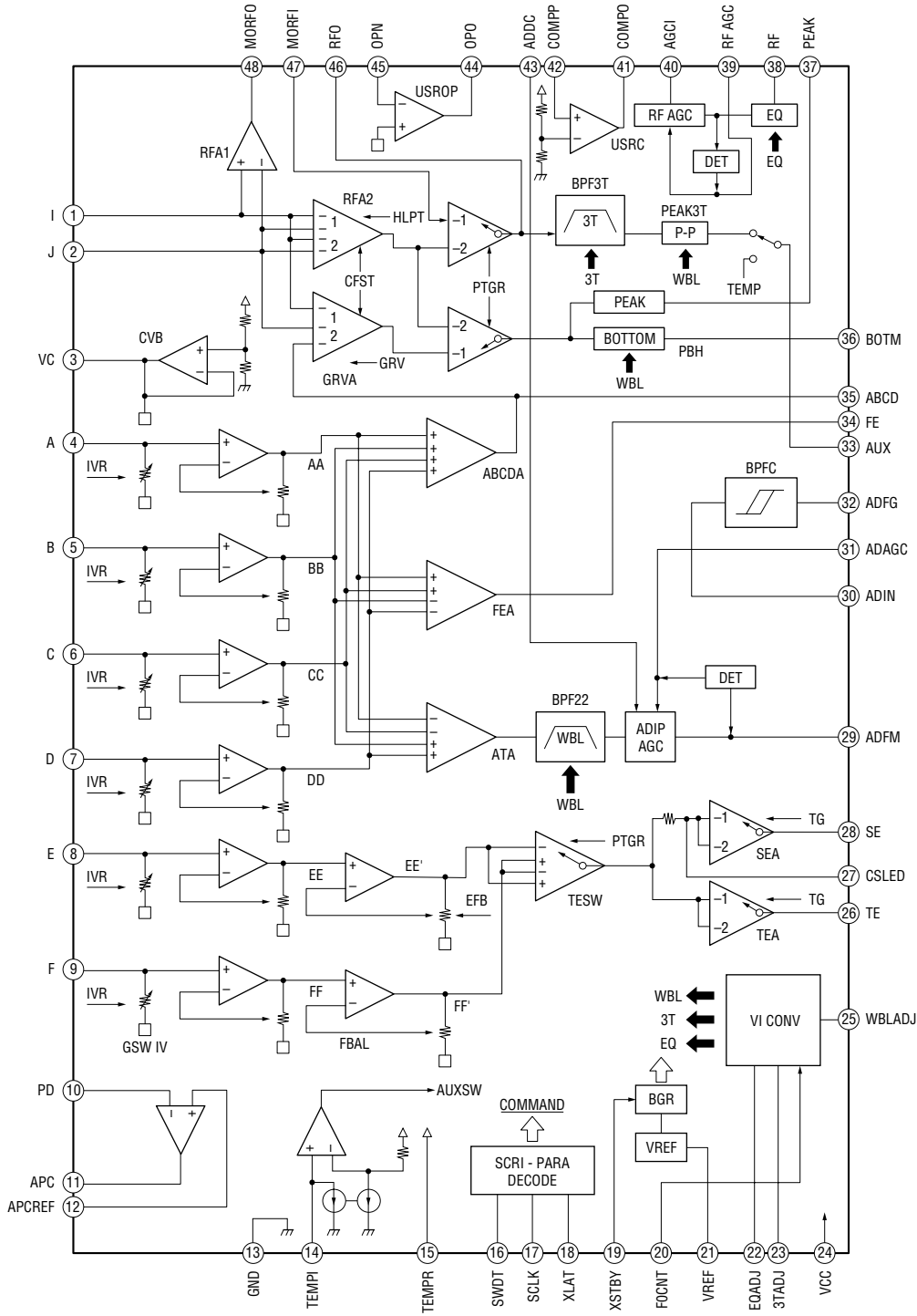
**Caution:**  
 Pattern face side: Parts on the pattern face side seen from the pattern face are indicated.  
 (Conductor Side)  
 Parts face side: Parts on the parts face side seen from the parts face are indicated.  
 (Component Side)

• IC Block Diagrams  
 – SERVO Board –

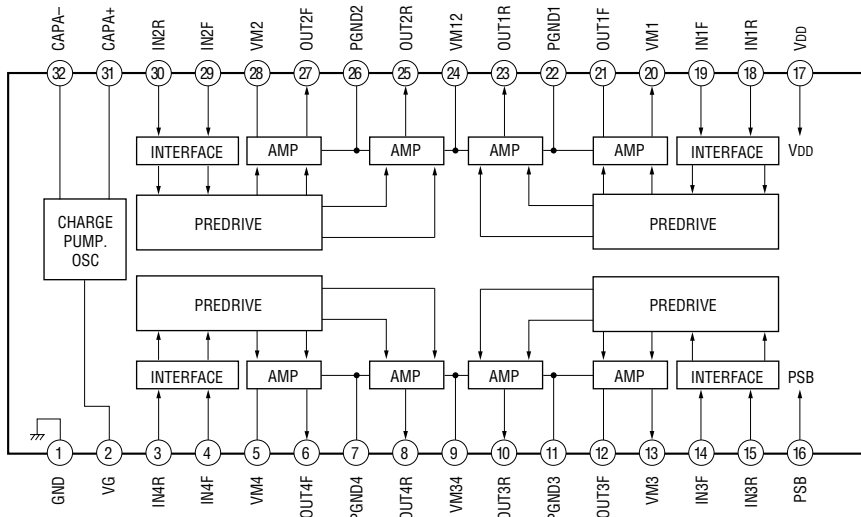
IC301 CXD2652AR



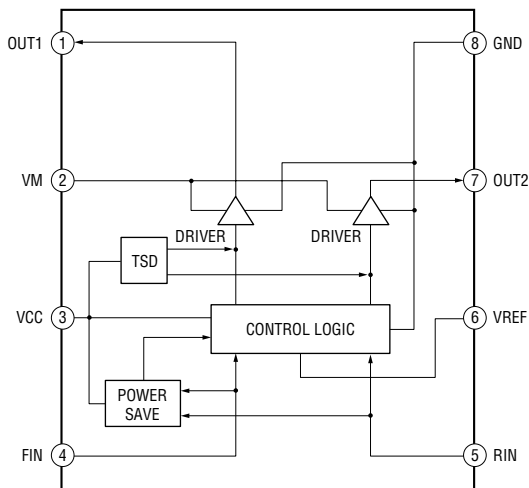
IC302 CXA2523R



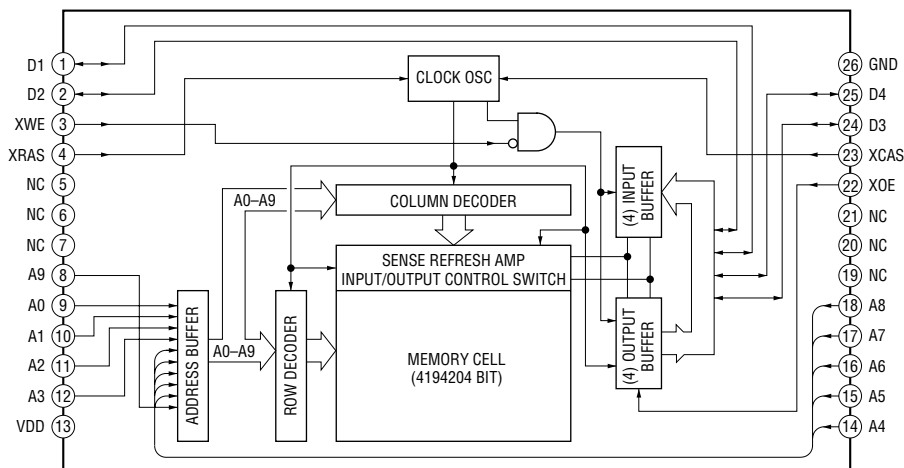
**IC303 BH6511FS-E2**



**IC305 BA6287F**

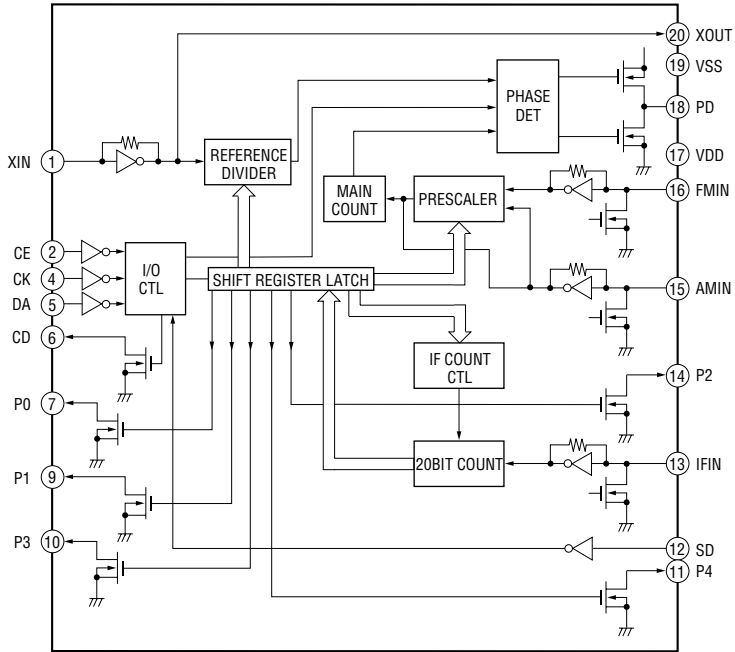


**IC307 MSM51V4400-70TS-K**

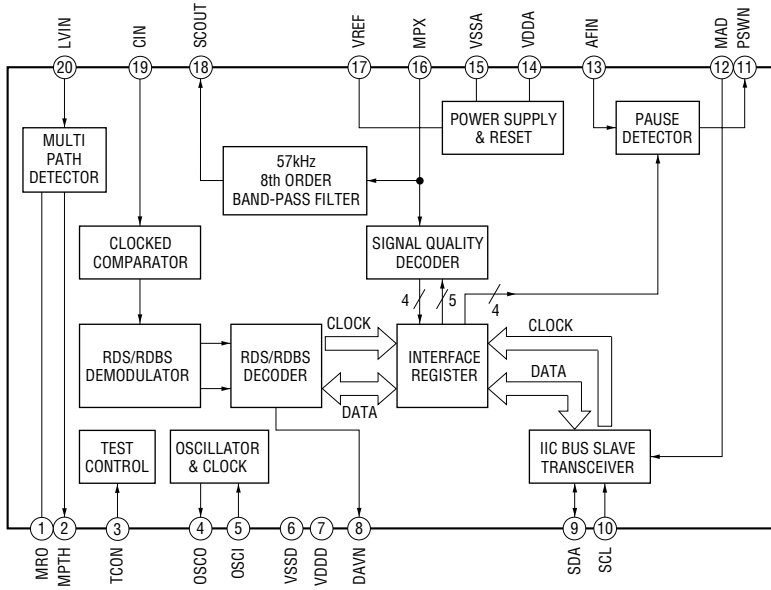


– MAIN Board –

IC100 BU2624FV-E2

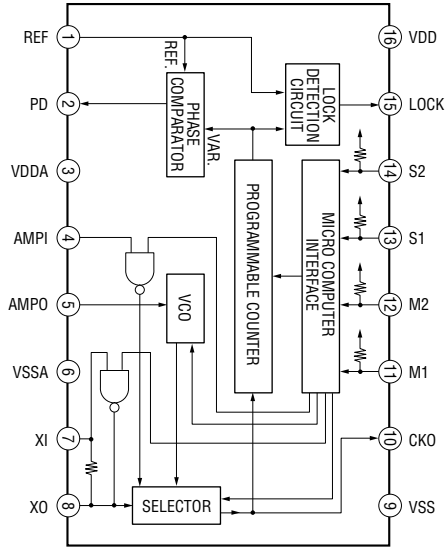


IC102 SAA6588T-118 (MDX-C7900R)

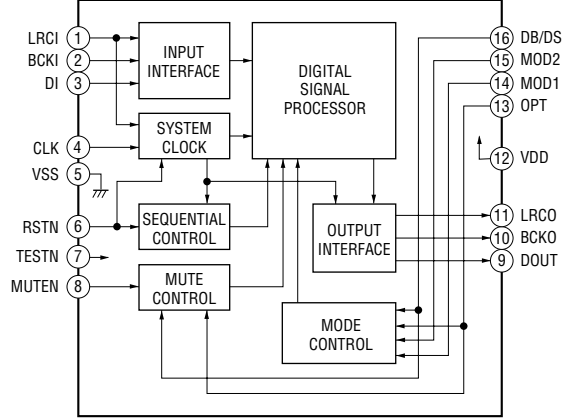




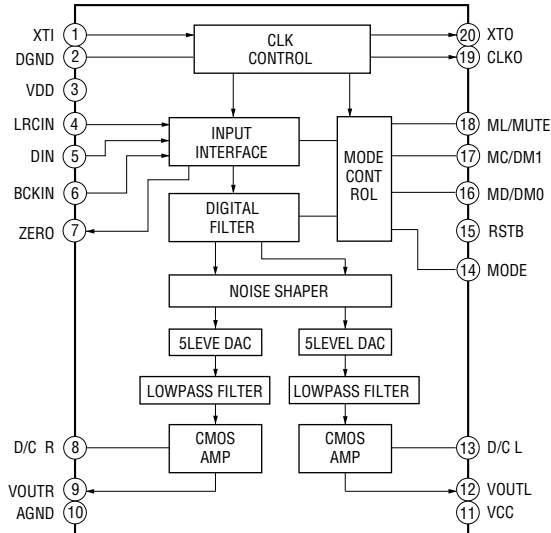
**IC200 TC9246F-TP1**



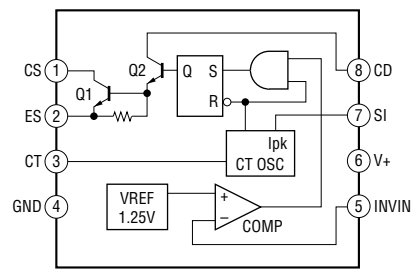
**IC201 SM5852FS-E2**



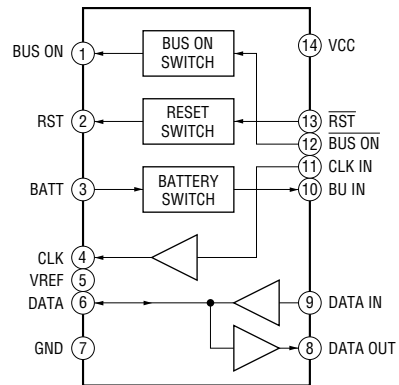
**IC202 PCM1717E-ST2**



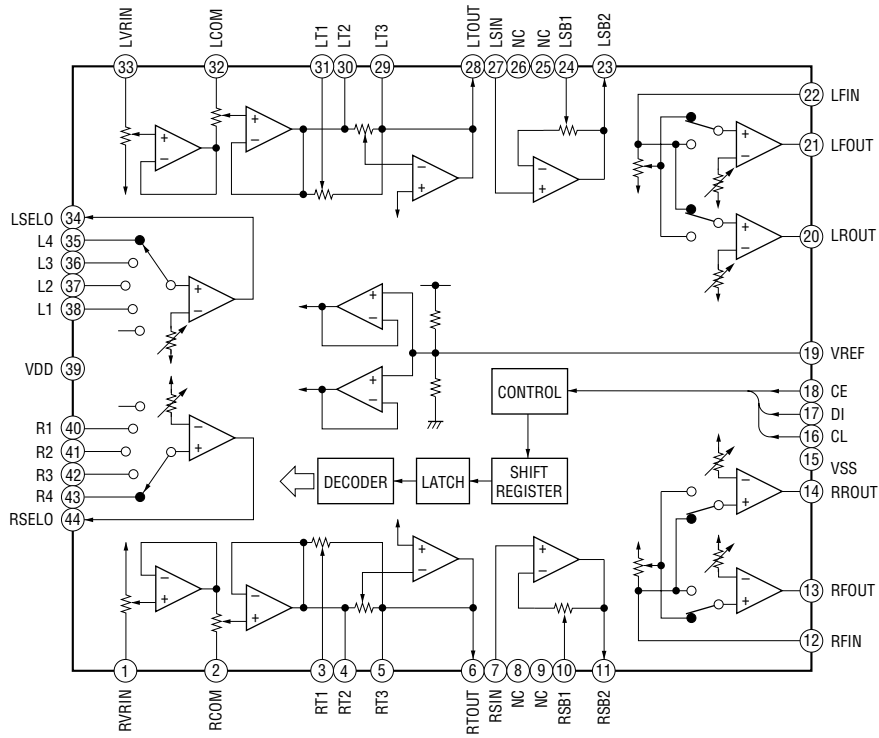
**IC250 NJM2360AM (TE2)**



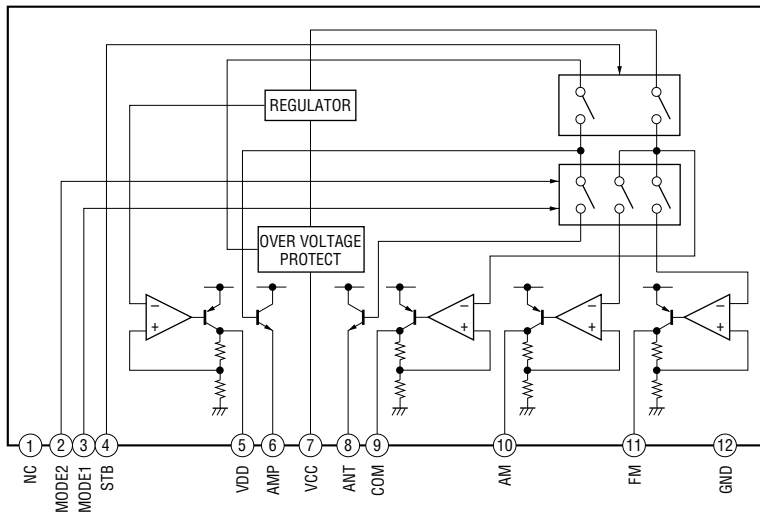
**IC600 BA8270F-E2**



**IC300 LC75374E**

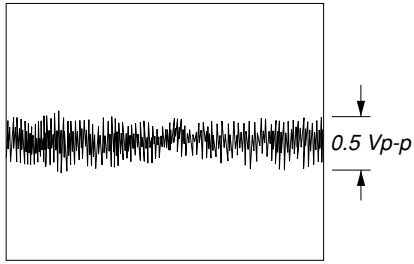


**IC800 BA3918-V3**

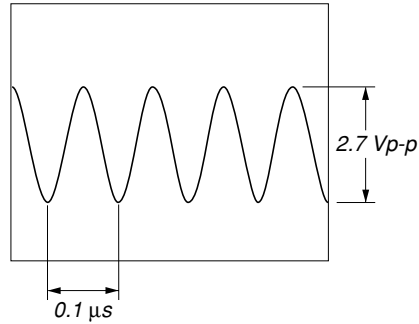


• Waveforms  
 – MECHANISM DECK Section –

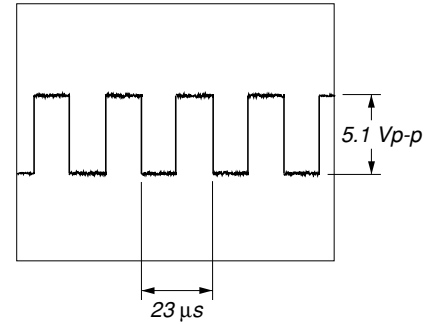
① IC302 ②⑥ (TE) (PLAY MODE)



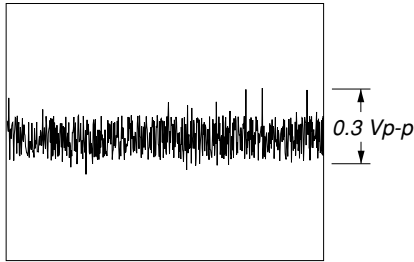
⑥ IC501 ③① (EXTAL) (PLAY MODE)



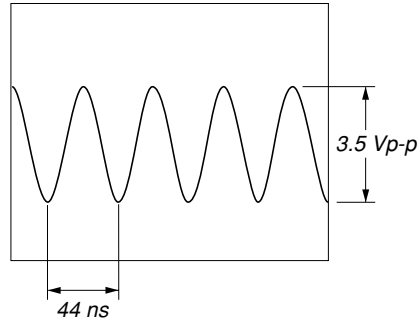
③ IC201 ① (LRCL) (PLAY MODE)



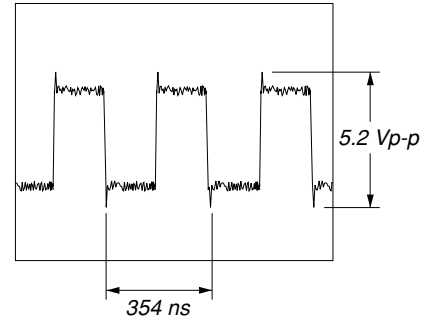
② IC302 ③④ (FE) (PLAY MODE)



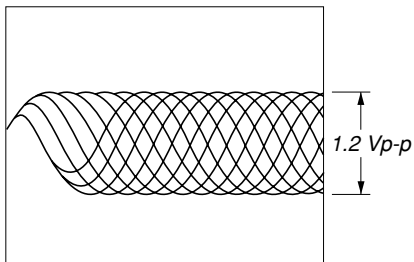
⑦ IC304 ③ (IN) (PLAY MODE)



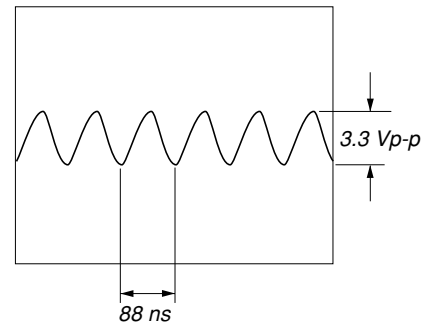
④ IC201 ② (BCKI) (PLAY MODE)



③ IC302 ③⑧ (RF) (PLAY MODE)

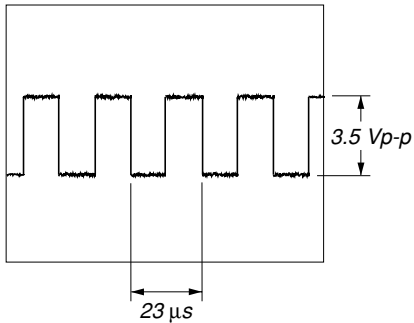


⑤ IC202 ① (XTI) (PLAY MODE)

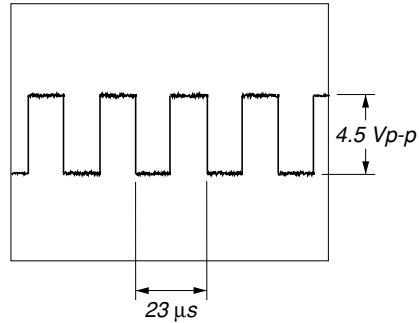


– MAIN Section –

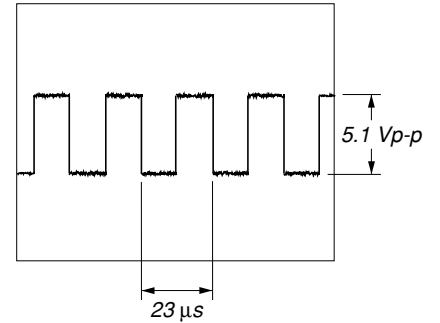
④ IC301 ②⑤ (LRCK) (PLAY MODE)



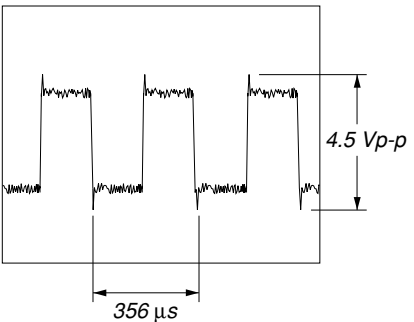
① IC204 ① (IN) (PLAY MODE)



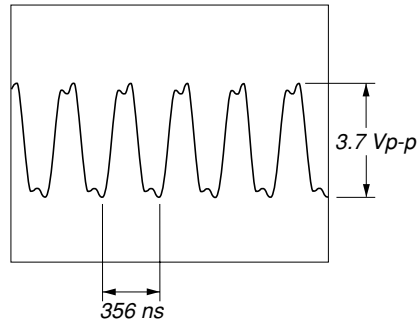
⑥ IC202 ④ (LRCK) (PLAY MODE)



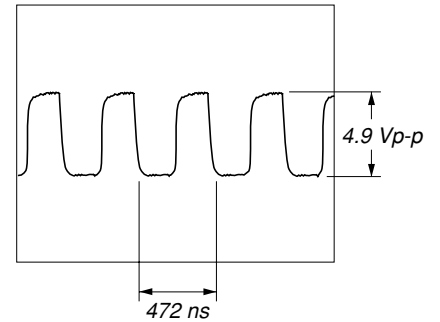
⑤ IC301 ②⑥ (XBCK) (PLAY MODE)



② IC204 ③ (IN) (PLAY MODE)

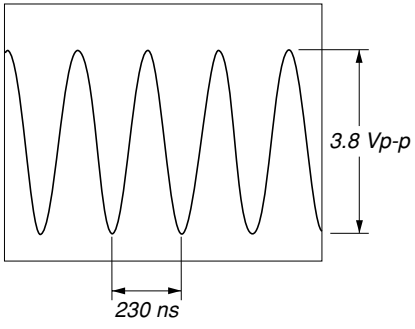


⑦ IC202 ⑥ (BCK) (PLAY MODE)

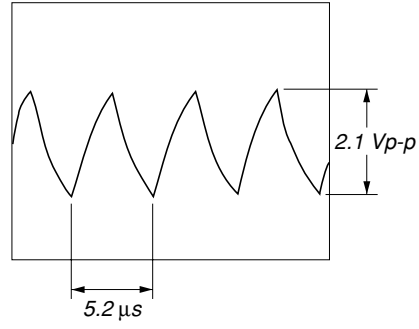


– PANEL Section –

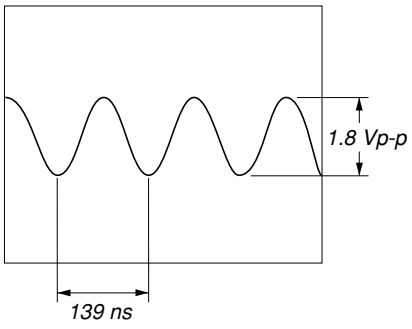
⑧ IC102 ⑤ (OSCI) (FM MODE)



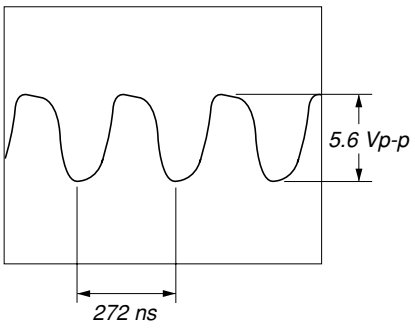
① IC801 ⑳ (OSC IN)



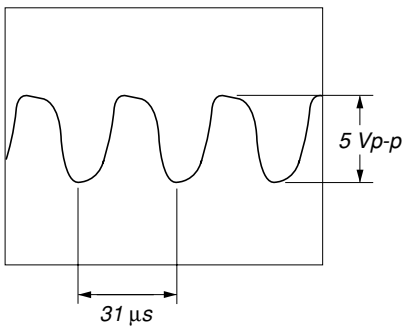
⑨ IC100 ① (XI) (RADIO MODE)



⑩ IC700 ㉓ (X1)



⑪ IC700 ㉔ (X1A)



## 5-11. IC PIN FUNCTION DESCRIPTION

- SERVO BOARD IC301 CXD2652AR  
(DIGITAL SIGNAL PROCESSOR, DIGITAL SERVO PROCESSOR, EFM/ACIRC ENCODER/DECODER, SHOCK PROOF MEMORY CONTROLLER, ATRAC ENCODER/DECODER, 2M BIT D-RAM)

Pin No.	Pin Name	I/O	Function
1	MNT0	O	Focus OK signal output to the MD mechanism controller (IC501) “H” is output when focus is on (“L”: NG)
2	MNT1	O	Track jump detection signal output to the MD mechanism controller (IC501)
3	MNT2	O	Monitor 2 signal output to the MD mechanism controller (IC501)
4	MNT3	O	Monitor 3 signal output to the MD mechanism controller (IC501)
5	SWDT	I	Writing serial data signal input from the MD mechanism controller (IC501)
6	SCLK	I	Serial data transfer clock signal input from the MD mechanism controller (IC501)
7	XLAT	I	Serial data latch pulse signal input from the MD mechanism controller (IC501)
8	SRDT	O (3)	Reading serial data signal output to the MD mechanism controller (IC501)
9	SENS	O (3)	Internal status (SENSE) output to the MD mechanism controller (IC501)
10	XRST	I	Reset signal input from the MD mechanism controller (IC501) “L”: reset
11	SQSY	O	Subcode Q sync (SCOR) output to the MD mechanism controller (IC501) “L” is output every 13.3 msec Almost all, “H” is output
12	DQSY	O	Digital In U-bit CD format subcode Q sync (SCOR) output terminal “L” is output every 13.3 msec Almost all, “H” is output Not used (open)
13	RECP	I	Laser power selection signal input terminal “H”: recording mode, “L”: playback mode (fixed at “L” in this set)
14	XINT	O	Interrupt status output to the MD mechanism controller (IC501)
15	TX	I	Recording data output enable signal input terminal Writing data transmission timing input (Also serves as the magnetic head on/off output) Not used (fixed at “L”)
16	OSCI	I	System clock signal (512Fs=22.5792 MHz) input from the oscillator circuit
17	OSCO	O	System clock signal (512Fs=22.5792 MHz) output terminal Not used (open)
18	XTSL	I	Input terminal for the system clock frequency setting “L”: 45.1584 MHz, “H”: 22.5792 MHz (fixed at “H” in this set)
19	RVDD	—	Power supply terminal (+3.3V) (digital system)
20	RVSS	—	Ground terminal (digital system)
21	DIN	I	Digital audio signal input terminal when recording mode (for optical in) Not used (fixed at “L”)
22	DOUT	O	Digital audio signal output terminal when playback mode (for optical out) Not used (open)
23	ADDT	I	Recording data input terminal Not used (fixed at “L”)
24	DADT	O	Playback data output terminal Not used (open)
25	LRCK	O	L/R sampling clock signal (44.1 kHz) output terminal Not used (open)
26	XBCK	O	Bit clock signal (2.8224 MHz) output terminal Not used (open)
27	FS256	O	Clock signal (11.2896 MHz) output to the PCM1717E (IC202)
28	DVDD	—	Power supply terminal (+3.3V) (digital system)
29	A03	O	Address signal output to the D-RAM (IC307)
30	A02	O	
31	A01	O	
32	A00	O	
33	A10	O	Address signal output to the external D-RAM Not used (open)
34	A04	O	Address signal output to the D-RAM (IC307)
35	A05	O	
36	A06	O	
37	A07	O	
38	A08	O	
39	A11	O	Address signal output to the external D-RAM Not used (open)

Pin No.	Pin Name	I/O	Function
40	DVSS	—	Ground terminal (digital system)
41	$\overline{\text{XOE}}$	O	Output enable signal output to the D-RAM (IC307) “L” active
42	$\overline{\text{XCAS}}$	O	Column address strobe signal output to the D-RAM (IC307) “L” active
43	A09	O	Address signal output to the external D-RAM Not used (open)
44	$\overline{\text{XRAS}}$	O	Row address strobe signal output to the D-RAM (IC307) “L” active
45	$\overline{\text{XWE}}$	O	Write enable signal output to the D-RAM (IC307) “L” active
46	D1	I/O	Two-way data bus with the D-RAM (IC307)
47	D0	I/O	
48	D2	I/O	
49	D3	I/O	
50	MVCI	I	Digital in PLL oscillation input from the external VCO Not used (fixed at “L”)
51	ASYO	O	Playback EFM full-swing output terminal
52	ASYI	I (A)	Playback EFM asymmetry comparator voltage input terminal
53	AVDD	—	Power supply terminal (+3.3V) (analog system)
54	BIAS	I (A)	Playback EFM asymmetry circuit constant current input terminal
55	RFI	I (A)	Playback EFM RF signal input from the CXA2523R (IC302)
56	AVSS	—	Ground terminal (analog system)
57	PDO	O (3)	Phase comparison output for clock playback analog PLL of the playback EFM Not used (open)
58	PCO	O (3)	Phase comparison output for master clock of the recording/playback EFM master PLL
59	FILI	I (A)	Filter input for master clock of the recording/playback master PLL
60	FILO	O (A)	Filter output for master clock of the recording/playback master PLL
61	CLTV	I (A)	Internal VCO control voltage input of the recording/playback master PLL
62	PEAK	I (A)	Light amount signal (RF/ABCD) peak hold input from the CXA2523R (IC302)
63	BOTM	I (A)	Light amount signal (RF/ABCD) bottom hold input from the CXA2523R (IC302)
64	ABCD	I (A)	Light amount signal (ABCD) input from the CXA2523R (IC302)
65	FE	I (A)	Focus error signal input from the CXA2523R (IC302)
66	AUX1	I (A)	Auxiliary signal (I <sub>s</sub> signal/temperature signal) input terminal Not used (fixed at “H”)
67	VC	I (A)	Middle point voltage (+1.65V) input from the CXA2523R (IC302)
68	ADIO	O (A)	Monitor output of the A/D converter input signal Not used (open)
69	AVDD	—	Power supply terminal (+3.3V) (analog system)
70	ADRT	I (A)	A/D converter operational range upper limit voltage input terminal (fixed at “H” in this set)
71	ADRB	I (A)	A/D converter operational range lower limit voltage input terminal (fixed at “L” in this set)
72	AVSS	—	Ground terminal (analog system)
73	SE	I (A)	Sled error signal input from the CXA2523R (IC302)
74	TE	I (A)	Tracking error signal input from the CXA2523R (IC302)
75	AUX2	I (A)	Auxiliary signal input terminal Light amount signal input from the CXA2523R (IC302)
76	DCHG	I (A)	Connected to the +3.3V power supply
77	APC	I (A)	Error signal input for the laser automatic power control Not used (fixed at “L”)
78	ADFG	I	ADIP duplex FM signal (22.05 kHz $\pm$ 1 kHz) input from the CXA2523R (IC302)
79	F0CNT	O	Filter f <sub>0</sub> control signal output terminal Not used (open)
80	XLRF	O	Serial data latch pulse signal output terminal Not used (open)
81	CKRF	O	Serial data transfer clock signal output terminal Not used (open)
82	DTRF	O	Writing serial data output terminal Not used (open)
83	APCREF	O	Control signal output to the reference voltage generator circuit for the laser automatic power control
84	LDDR	O	PWM signal output for the laser automatic power control Not used (open)
85	TRDR	O	Tracking servo drive PWM signal (–) output to the BH6511FS (IC303)
86	TFDR	O	Tracking servo drive PWM signal (+) output to the BH6511FS (IC303)

Pin No.	Pin Name	I/O	Function
87	DVDD	—	Power supply terminal (+3.3V) (digital system)
88	FFDR	O	Focus servo drive PWM signal (+) output to the BH6511FS (IC303)
89	FRDR	O	Focus servo drive PWM signal (–) output to the BH6511FS (IC303)
90	FS4	O	Clock signal (176.4 kHz) output terminal (X'tal system) Not used (open)
91	SRDR	O	Sled servo drive PWM signal (–) output to the BH6511FS (IC303)
92	SFDR	O	Sled servo drive PWM signal (+) output to the BH6511FS (IC303)
93	SPRD	O	Spindle servo drive PWM signal (–) output to the BH6511FS (IC303)
94	SPFD	O	Spindle servo drive PWM signal (+) output to the BH6511FS (IC303)
95	FGIN	I	Not used (fixed at “L”)
96	TEST1	I	Input terminal for the test (fixed at “L”)
97	TEST2	I	
98	TEST3	I	
99	DVSS	—	Ground terminal (digital system)
100	EFMO	O	EFM signal output terminal when recording mode Not used (open)

\* I (A) for analog input, O (3) for 3-state output, and O (A) for analog output in the column I/O.

• SERVO BOARD IC302 CXA2523R (RF AMP, FOCUS/TRACKING ERROR AMP)

Pin No.	Pin Name	I/O	Function
1	I	I	I-V converted RF signal I input from the optical pick-up block detector
2	J	I	I-V converted RF signal J input from the optical pick-up block detector
3	VC	O	Middle point voltage (+1.65V) generation output terminal
4 to 9	A to F	I	Signal input from the optical pick-up detector
10	PD	I	Light amount monitor input from the optical pick-up block laser diode
11	APC	O	Laser amplifier output terminal to the automatic power control circuit
12	APCREF	I	Reference voltage input terminal for setting laser power
13	GND	—	Ground terminal
14	TEMPI	I	Connected to the temperature sensor Not used (open)
15	TEMPR	O	Output terminal for a temperature sensor reference voltage Not used (open)
16	SWDT	I	Writing serial data input from the MD mechanism controller (IC501)
17	SCLK	I	Serial data transfer clock signal input from the MD mechanism controller (IC501)
18	XLAT	I	Serial data latch pulse signal input from the MD mechanism controller (IC501)
19	XSTBY	I	Standby signal input terminal “L”: standby (fixed at “H” in this set)
20	F0CNT	I	Center frequency control voltage input terminal of internal circuit (BPF22, BPF3T, EQ) input terminal
21	VREF	O	Reference voltage output terminal Not used (open)
22	EQADJ	I	Center frequency setting terminal for the internal circuit (EQ)
23	3TADJ	I	Center frequency setting terminal for the internal circuit (BPF3T)
24	VCC	—	Power supply terminal (+3.3V)
25	WBLADJ	I	Center frequency setting terminal for the internal circuit (BPF22)
26	TE	O	Tracking error signal output to the CXD2652AR (IC301)
27	CSLED	I	Connected to the external capacitor for low-pass filter of the sled error signal
28	SE	O	Sled error signal output to the CXD2652AR (IC301)
29	ADFM	O	FM signal output of the ADIP
30	ADIN	I	Receives a ADIP FM signal in AC coupling
31	ADAGC	I	Connected to the external capacitor for ADIP AGC
32	ADFG	O	ADIP duplex signal (22.05 kHz $\pm$ 1 kHz) output to the CXD2652AR (IC301)
33	AUX	O	Auxiliary signal (I <sub>3</sub> signal/temperature signal) output terminal Not used (open)
34	FE	O	Focus error signal output to the CXD2652AR (IC301)
35	ABCD	O	Light amount signal (ABCD) output to the CXD2652AR (IC301)
36	BOTM	O	Light amount signal (RF/ABCD) bottom hold output to the CXD2652AR (IC301)
37	PEAK	O	Light amount signal (RF/ABCD) peak hold output to the CXD2652AR (IC301)
38	RF	O	Playback EFM RF signal output to the CXD2652AR (IC301)
39	RFAGC	I	Connected to the external capacitor for RF auto gain control circuit
40	AGCI	I	Receives a RF signal in AC coupling
41	COMPO	O	User comparator output terminal Not used (open)
42	COMPP	I	User comparator input terminal Not used (fixed at “L”)
43	ADDC	I	Connected to the external capacitor for cutting the low band of the ADIP amplifier
44	OPO	O	User operational amplifier output terminal Not used (open)
45	OPN	I	User operational amplifier inversion input terminal Not used (fixed at “L”)
46	RFO	O	RF signal output terminal
47	MORFI	I	Receives a MO RF signal in AC coupling
48	MORFO	O	MO RF signal output terminal



• SERVO BOARD IC501 CXP84340-089Q (MD MECHANISM CONTROLLER)

Pin No.	Pin Name	I/O	Function
1 to 5	TIN3 to TIN7	I/O	Input of the 4×8 matrix test keys (“L” is always output, except in test mode) Not used (open)
6	LOAD	O	Loading motor control signal output to the motor driver (IC305) *1
7	EJECT	O	Loading motor control signal output to the motor driver (IC305) *1
8, 9	NCO	O	Not used (open)
10	MDMON	O	Power supply on/off control signal output of the MD mechanism deck section main power supply and loading motor drive (IC305) power supply “H”: power on
11	$\overline{\text{E-SW}}$	I	Inputs the disc loading completion detect switch (S902) detection signal “L”: When completed of the disc loading operation
12	AG-OK	O	Output of aging status in test mode “H”: aging completed, “L”: under aging Not used (open)
13	ADJ-OK	O	Output of status when aging completed in test mode “H”: aging OK, “L”: aging NG Not used (open)
14 to 17	NCO	O	Not used (open)
18	DFCTSEL	I	Select whether defect function is used for the CXD2652AR (IC301) “H”: not used this function, “L”: used this function (fixed at “H” in this set)
19	DPLSEL	I	Select whether digital pll function is used for the CXD2652AR (IC301) “H”: not used this function, “L”: used this function (fixed at “H” in this set)
20	EMPHSEL	I	Select whether emphasis signal output from pin or unilink data “H”: output from pin only, “L”: outputs from both pin and unilink data Not used (open)
21	LOCK	O	Mini-disc lock detection signal output to the master controller (IC700) “H”: lock
22	NCO	O	Not used (open)
23	$2\text{M}/4\text{M}$	I	Select whether D-RAM capacitance 2M bit or 4M bit “H”: 2M bit (internal D-RAM of CXD2652AR), “L”: 4M bit (external D-RAM) (fixed at “L” in this set)
24, 25	NCO	O	Not used (open)
26	MNT0	I	Focus OK signal input from the CXD2652AR (IC301) “H” is input when focus is on (“L”: NG)
27	MNT1	I	Track jump detection signal input from the CXD2652AR (IC301)
28	MNT2	I	Monitor 2 signal input from the CXD2652AR (IC301)
29	MNT3	I	Monitor 3 signal input from the CXD2652AR (IC301)
30	$\overline{\text{RESET}}$	I	System reset signal input from the master controller (IC700), reset signal generator (IC801) and reset switch (S900) “L”: reset For several hundreds msec. after the power supply rises, “L” is input, then it changes to “H”
31	EXTAL	O	Main system clock output terminal (10 MHz)
32	XTAL	I	Main system clock input terminal (10 MHz)
33	VSS	—	Ground terminal
34	TX	O	Sub system clock output terminal (32.768 kHz) Not used (open)
35	TEX	I	Sub system clock input terminal (32.768 kHz) Not used (fixed at “L”)
36	AVSS	—	Ground terminal (for A/D converter)
37	AVREF	I	Reference voltage input terminal (+5V) (for A/D converter)
38	INIT	I	Initial reset signal input terminal (A/D input) (fixed at “H”)
39	TEMP	I	Temperature sensor (TH501) input terminal (A/D input)
40	ACNT	I	Select the number of load/eject aging times (A/D input) 0H – 54H (30 times), 55H – OA9H (20 times), OAAH – OFFH (10 times)
41	DO-SEL	I	Select the digital output bits (A/D input)
42	EE-CS	O	Chip select signal output to the external EEPROM device Not used (open)
43	EE-CKO	O	Serial data transfer clock signal output to the external EEPROM device Not used (open)
44	EE-SIO	I/O	Two way data bus with the external EEPROM device Not used (open)
45	MD-SO	O	Writing serial data signal output to the CXD2652AR (IC301) and CXA2523R (IC302)
46	LINKOFF	O	Unilink on/off control signal output for the SONY bus “H”: link off, “L”: link on

Pin No.	Pin Name	I/O	Function
47	UNIREQ	O	Data request signal output terminal (for SONY bus) “H”: request on Not used (open)
48	UNCKI	I	Serial data transfer clock signal input from the master controller (IC700) (for SONY bus)
49	UNISI	I	Serial data input from the SONY bus interface (IC600)
50	UNISO	O	Serial data output to the SONY bus interface (IC600)
51	MD-CKO	O	Serial data transfer clock signal output to the CXD2652AR (IC301) and CXA2523R (IC302)
52	MD-SI	I	Reading serial data signal input from the CXD2652AR (IC301)
53	NCO	O	Not used (open)
54	SENS	I	Internal status (SENSE) input from the CXD2652AR (IC301)
55	CC-XINT	I	Interrupt status input from the CXD2652AR (IC301)
56	$\overline{\text{LIMIT-IN}}$	I	Detection input from the sled limit-in detect switch (S903) The optical pick-up is inner position when “L”
57	EJT-KEY	I	Eject request signal input terminal “L”: eject on Not used (fixed at “H”)
58	ERROR-PWM	O	PWM error monitor output terminal (C1 and ATER is output when test mode) Not used (open)
59	$\overline{\text{MD-RST}}$	O	Reset signal output to the CXD2652AR (IC301) and BH6511FS (IC303) “L”: reset
60	BU-IN	I	Battery detect signal input from the SONY bus interface (IC600) and battery check circuit “H”: battery on
61	$\overline{\text{BUS-ON}}$	I	SONY bus on/off control signal input from the master controller (IC700) “L”: bus on
62	SQSY	I	Subcode Q sync (SCOR) input from the CXD2652AR (IC301) “L” is input every 13.3 msec Almost all, “H” is input
63	$\overline{\text{C-SW}}$	I	Inputs the disc loading start or disc eject completion detect switch (S901) detection signal “L”: When start or eject completed of the disc loading operation
64	MD-LAT	O	Serial data latch pulse signal output to the CXD2652AR (IC301) and CXA2523R (IC302)
65	MD-ON	O	Power supply on/off control signal output of the MD mechanism deck section main power supply “H”: power on
66	DEEMP	O	Emphasis on/off control signal output terminal “H”: emphasis on Not used
67	A-MUTE	O	Audio muting on/off control signal output terminal Not used
68	NCO	O	Not used (open)
69	TSTCKO	O	Output of clock signal for the test mode display Not used (open)
70	TSTSO	O	Output of data for the test mode display Not used (open)
71	$\overline{\text{TSTMOD}}$	I	Setting terminal for the test mode “L”: test mode, “H”: normal mode
72	VCC	—	Power supply terminal (+5V)
73	NC	—	Not used (fixed at “H”)
74 to 77	TOUT0 to TOUT3	O	Output of the 4×8 matrix test keys Not used (open)
78 to 80	TIN0 to TIN2	I/O	Input of the 4×8 matrix test keys (“L” is always output, except in test mode) Not used (open)

\*1 Loading motor (M903) control

Operation Terminal	IN	OUT	BRAKE	STOP
LOAD (pin ⑥)	“H”	“L”	“H”	“L”
EJECT (pin ⑦)	“L”	“H”	“H”	“L”

• MAIN BOARD IC700 (MASTER CONTROLLER)

	MDX-C7900	MDX-C7900R
Type A	MB90574PFV-G-114-BND	MB90574PFV-G-113-BND
Type B	MB90574PFV-G-114	MB90574PFV-G-113

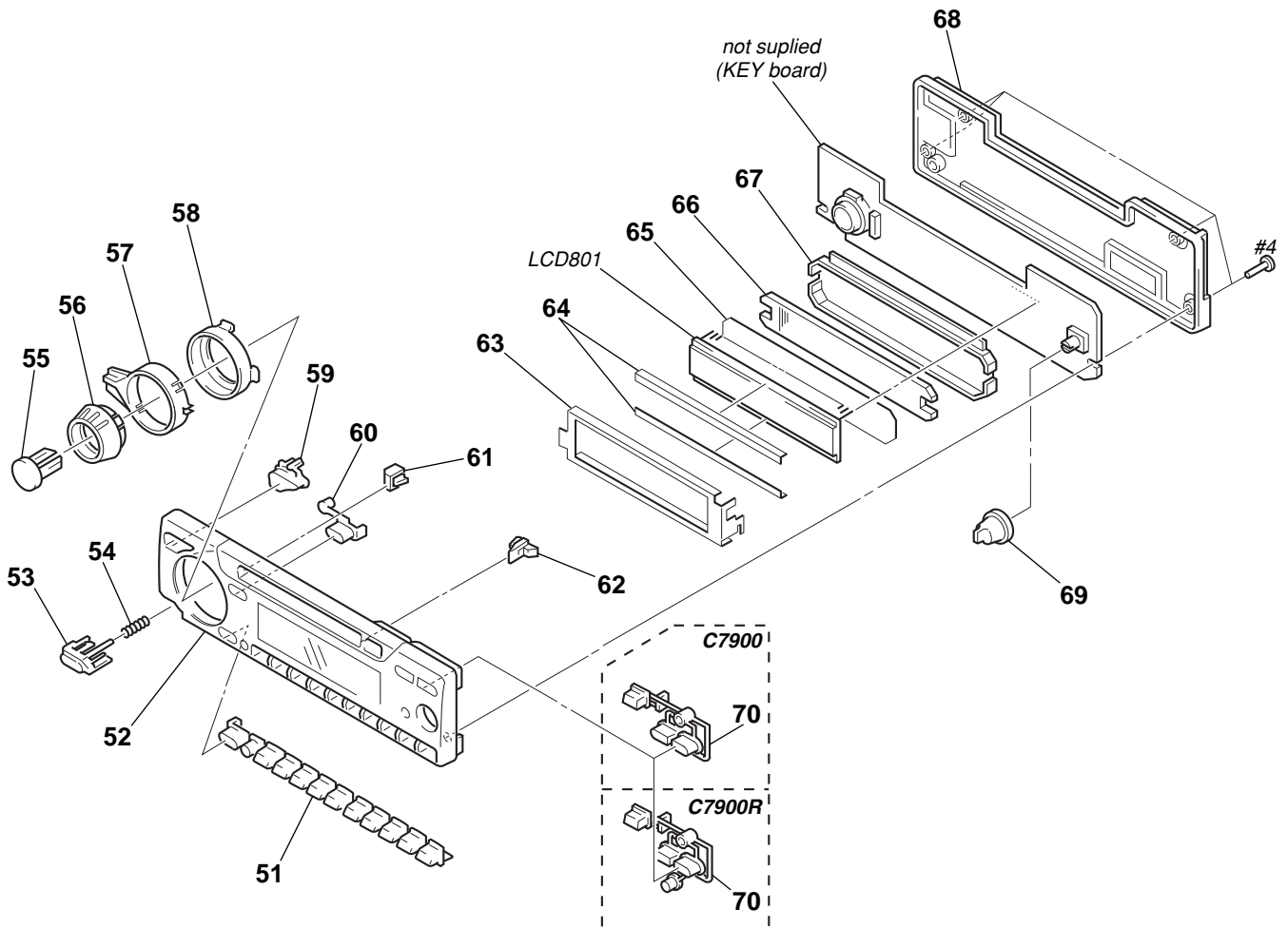
Pin No.	Pin Name	I/O	Function
1 to 7	NC	O	Not used (open)
8	VCC	—	Power supply terminal (+5V)
9	PLL SI	I	PLL serial data input from the FM/AM PLL (IC100)
10	PLL SO	O	PLL serial data output to the FM/AM PLL (IC100)
11	PLL CKO	O	PLL serial data transfer clock signal output to the FM/AM PLL (IC100)
12	NOSE SW	I	Detects the removal of the attaching and removing type front panel block “L”: attaching
13	LCD SO	O	Serial data output to the liquid crystal display driver (IC801)
14	LCD CKO	O	Serial data transfer clock signal output to the liquid crystal display driver (IC801)
15	BEEP	O	Beep sound drive signal output terminal
16	DBMOD2	O	D-BASS mode control signal output to the SM5852ES (IC201)
17 to 19	NC	O	Not used (open)
20	UNI SI	I	Serial data input from the SONY bus interface (IC600)
21	UNI SO	O	Serial data output to the SONY bus interface (IC600)
22	UNI CKO	O	Serial data transfer clock signal output to the MD mechanism controller (IC501) and SONY bus interface (IC600)
23 to 25	NC	O	Not used (open)
26	VOL SO	O	Serial data output to the electrical volume (IC300)
27	VOL CKO	O	Serial data transfer clock signal output to the electrical volume (IC300)
28	DSTSEL0	I	Destination setting terminal (US, Canadian models: fixed at “H”, E model and MDX-C7900R: fixed at “L”)
29	$\overline{\text{SYSRET}}$	O	System reset signal output to the MD mechanism controller (IC501) and SONY bus interface (IC600) “L”: reset
30	DSTSEL1	I	Destination setting terminal (US, Canadian models and MDX-C7900R: fixed at “L”, E model: fixed at “H”)
31	DMOD1	O	D-BASS mode control signal output to the SM5852ES (IC201)
32	$\overline{\text{TESTIN}}$	I	Setting terminal for the test mode “L”: test mode (normally fixed at “H”)
33	VSS	—	Ground terminal
34	C	—	Connected to capacitor (for coupling)
35	NC	O	Not used (open)
36	$\overline{\text{BUS ON}}$	O	Bus on/off control signal output to the MD mechanism controller (IC501) and SONY bus interface (IC600) “L”: bus on
37	$\overline{\text{AD ON}}$	O	Power supply on/off control signal output for the A/D converter “L”: power on
38	DVCC	—	Power supply terminal (+5V) (for D/A converter)
39	DVSS	—	Ground terminal (for D/A converter)
40	LCDANG	O	Output signal for the LCD view angle adjustment “H”: When front panel is full open
41	VOL CE	O	Chip enable signal output to the electrical volume (IC300)
42	AVCC	—	Power supply terminal (+5V) (for A/D converter)
43	AVRH	I	Reference voltage (+5V) input terminal (for A/D converter)
44	AVRL	I	Reference voltage (0V) input terminal (for A/D converter)
45	AVSS	—	Ground terminal (for A/D converter)
46	KEY IN0	I	Key input terminal (A/D input) OFF, SOURCE, SEEK/AMS $\blacktriangleright\blacktriangleright\blacktriangleright + \blacktriangleleft\blacktriangleleft\blacktriangleleft$ -, SOUND, SHIFT, 1, 2, 3, 4 keys input (LSW801 to LSW804 and LSW806 to LSW811)

Pin No.	Pin Name	I/O	Function
47	KEY IN1	I	Key input terminal (A/D input) MDX-C7900: ▲, LIST, DSPL, 10, 9, 8, 7, 6, 5 keys input (LSW812 and LSW814 to LSW821) MDX-C7900R: ▲, DSPL, LIST PTY, AF/TA, 10, 9, 8, 7, 6, 5 keys input (LSW812 to LSW821)
48	KEY IN2	I	Key input terminal (A/D input) Not used (fixed at "L")
49	RC IN0	I	Rotary remote commander shift key A/D input terminal
50	D-BASS IN	I	D-BASS switch (LSW805) input terminal (A/D input)
51	NC	I	Not used (fixed at "L")
52	MPDH (MTP)	I	Multi path input from the RDS decoder (IC102) Used for the MDX-C7900R only
53	S METER (VSM)	I	FM and AM (MW/LW) signal meter voltage detection input from the FM/AM tuner unit (TU1)
54	VCC	—	Power supply terminal (+5V)
55	AMP ATT	O	Muting control signal output to the power amplifier (IC500) "H": muting on
56	AMP ON	O	Standby control signal output to the power amplifier (IC500) "L": standby, "H": amp on
57	ILL IN	I	Illuminate line detect signal input for the auto dimmer control Dimmer is present at input of "L"
58	LOCK IN	I	Mini-disc lock detection signal input from the MD mechanism controller (IC501) "H": lock
59	EMPH ON	O	Emphasis control signal output to the D/A converter (IC202) "H": emphasis on
60	AU ATT	O	Audio line muting on/off control signal output terminal "H": muting on
61	AF ATT	O	RDS AF playing attenuate signal output terminal Not used (open)
62	TU ATT	O	Tuner signal (FM and AM) muting on/off control signal output "H": muting on
63	VSS	—	Ground terminal
64	ACC IN	I	Accessory detect signal input terminal "L": accessory on
65	AF SEEK	O	RDS AF seek control signal output terminal Used for the MDX-C7900R only
66	NC	O	Not used (open)
67	DAVN	I	Data transmit completed detect signal input from the RDS decoder (IC102) Used for the MDX-C7900R only
68, 69	NC	O	Not used (open)
70	RDS SI	I	Serial data input from the RDS decoder (IC102) Used for the MDX-C7900R only
71	RDS CKI	I	Serial data transfer clock signal input from the RDS decoder (IC102) Used for the MDX-C7900R only
72	RC IN1	I	Rotary remote commander shift key A/D input terminal
73	X1A	O	Sub system clock output terminal (32 kHz)
74	X0A	I	Sub system clock input terminal (32 kHz)
75	NC	O	Not used (open)
76	BU IN	I	Battery detect signal input from the SONY bus interface (IC600) and battery check circuit "H": battery on
77, 78	NC	O	Not used (open)
79	KEYACK	I	Input of acknowledge signal for the key entry Acknowledge signal is input to accept function and eject keys in the power off status On at input of "H"
80	TEL ATT	I	Telephone muting signal input terminal At input of "L", the signal is attenuated by -20 dB
81	ST IN/MONO	I/O	Input of FM stereo detection signal from FM/AM tuner unit (TU1), and output of forced monaural control signal to FM/AM tuner unit (TU1) (Commonly used for stereo display input and forced monaural output) FM stereo detection at input of "L", forced monaural at output of "L"
82	SEEKOUT	O	Seek control signal output to the FM/AM tuner unit (TU1) (AM mode: used for IF count output, SD request, AGC cut etc., FM mode: used for SEEK, BTM, AF playing SD speed up etc.)
83	SD IN	I	Station detector detect input from the FM/AM tuner unit (TU1) Stop level for SEEK, BTM, etc. is determined SD is present at input of "H"
84	NC (MONO)	I	Not used (open)

Pin No.	Pin Name	I/O	Function
85	PLL CE	O	PLL serial chip enable output to the FM/AM PLL (IC100)
86	HSTX	I	Hardware standby input terminal Not used (open)
87	MD2	I	Mode selection input terminal (fixed at "L")
88	MD1	I	Mode selection input terminal (fixed at "H")
89	MD0	I	Mode selection input terminal (fixed at "H")
90	$\overline{\text{RESET}}$	I	System reset signal input from the reset signal generator (IC801) and reset switch (S900) "L" is input for several 100 msec after power on, then it changes to "H"
91	VSS	—	Ground terminal
92	X0	I	Main system clock input terminal (3.68 MHz)
93	X1	O	Main system clock output terminal (3.68 MHz)
94	VCC	—	Power supply terminal (+5V)
95	PW SEL	I	Power select switch (S700) input terminal "L": on (operation mode), "H": off (halt mode)
96	POL MONO	I	Polar monaural detection signal input terminal Not used (open)
97 to 99	NC	O	Not used (open)
100	BAND (9K-10K)	I	Frequency select switch (S701) input terminal "H": MW 9k step/FM 50k step, "L": MW10k step/FM 200k step Used for the E model only
101	NC	O	Not used (open)
102	RAMBU	I	Internal RAM reset detection signal input from the RN5VD23AA (IC802) Input terminal to check that RAM data are not destroyed due to low voltage This checking is made within 100 msec after reset
103	NC	O	Not used (open)
104	LCD CE	O	Chip enable output to the liquid crystal display driver (IC801)
105	FLASH W	I	Fixed at "H" in this set
106	REIN0	I	Rotary encoder (EN801) input for volume/bass/treble/balance/fader control
107	REIN1	I	Rotary encoder (EN801) input for volume/bass/treble/balance/fader control
108	LAMP ON (ILL ON)	O	Power supply on/off control signal output terminal at the illumination and liquid crystal display driver (IC801) "H": power on At power select switch (S700) on mode: "H" output at the accessory on At power select switch (S700) off mode: "H" output at the power on
109	PW ON	O	Main system power supply on/off control signal output to the BA3918 (IC800) "H": power on
110	FM ON	O	FM system power supply on/off control signal output to the BA3918 (IC800) "H": FM on
111	TUN ON	O	Tuner system power supply on/off control signal output to the BA3918 (IC800) "H": tuner on
112 to 118	NC	O	Not used (open)
119	VSS	—	Ground terminal
120	NC	O	Not used (open)

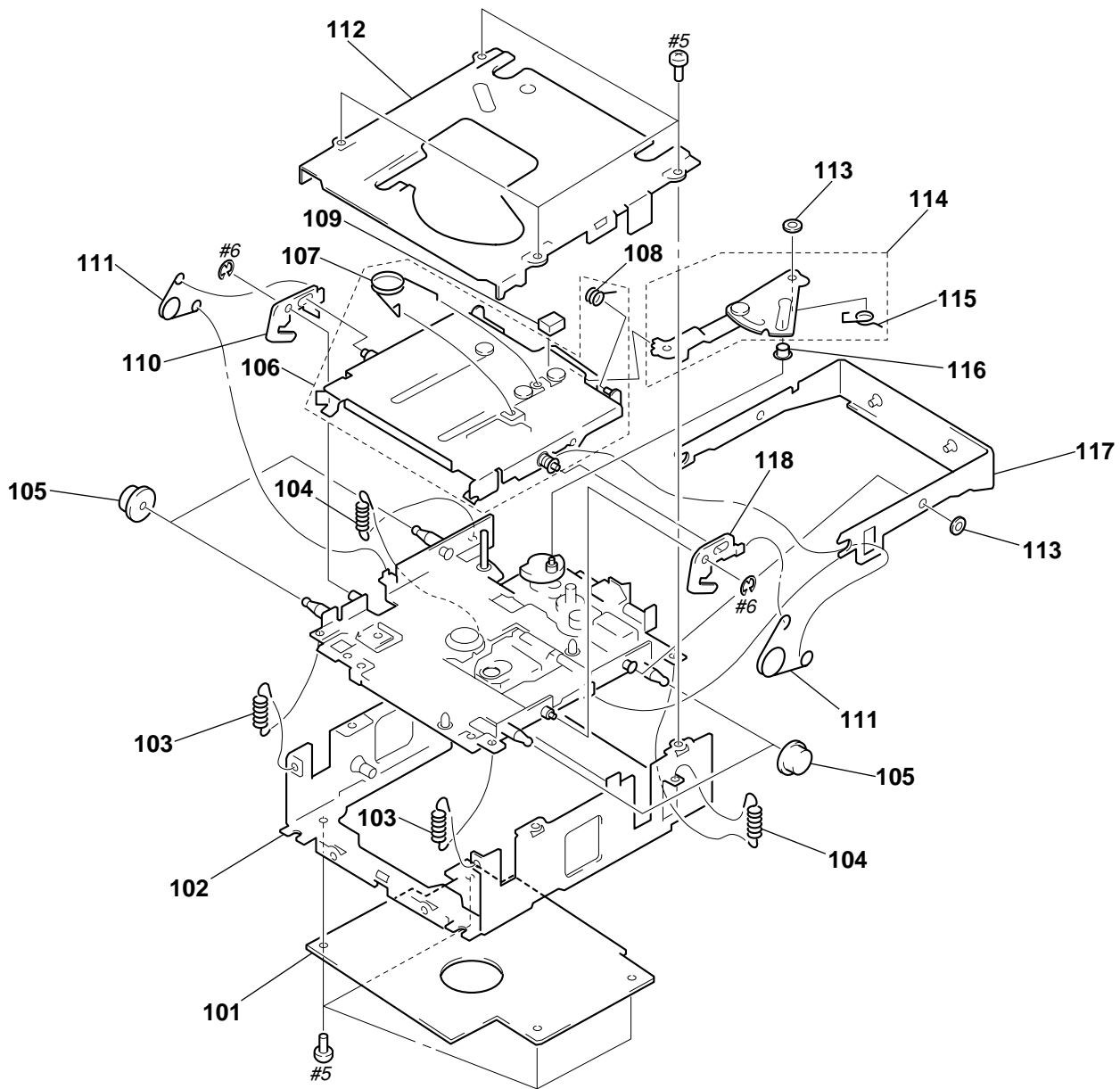


(2) FRONT PANEL SECTION



Ref. No.	Part No.	Description	Remark	Ref. No.	Part No.	Description	Remark
51	3-023-611-01	BUTTON (10KEY) (OFF. SHIFT. 1. 2. 3. 4. 5. 6. 7. 8. 9. 10)		61	3-023-618-01	PLATE (L), LIGHT GUIDE	
52	X-3375-315-1	PANEL ASSY, FRONT (C7900)		62	3-023-619-01	PLATE (R), LIGHT GUIDE	
52	X-3375-409-1	PANEL ASSY, FRONT (C7900R)		* 63	3-023-610-01	PLATE (LCD), GROUND	
53	3-023-617-01	BUTTON (RELEASE)		* 64	3-023-621-01	SHEET (LCD)	
54	3-008-667-01	SPRING (RELEASE)		* 65	3-023-624-01	ILLUMINATOR (LCD)	
55	3-023-626-01	BUTTON (SOURCE)		* 66	3-023-609-01	PLATE (LCD), LIGHT GUIDE	
56	3-023-612-01	KNOB (VOL)		* 67	3-023-608-01	HOLDER (LCD)	
57	3-023-613-01	KNOB (AMS) (C7900)		68	3-023-605-01	PANEL, BACK	
57	3-023-613-31	KNOB (AMS) (C7900R)		69	3-023-625-01	KNOB (D)	
58	3-023-615-01	RING, LIGHT GUIDE		70	3-023-622-01	BUTTON (EJ) (▲. PTY. AF/TA. DSPL) (C7900R)	
59	3-023-629-01	BUTTON (MODE)		70	3-023-627-01	BUTTON (EJ) (▲. LIST. DSPL) (C7900)	
60	3-023-616-01	BUTTON (SOUND)		LCD801	1-803-111-11	DISPLAY PANEL, LIQUID CRYSTAL	

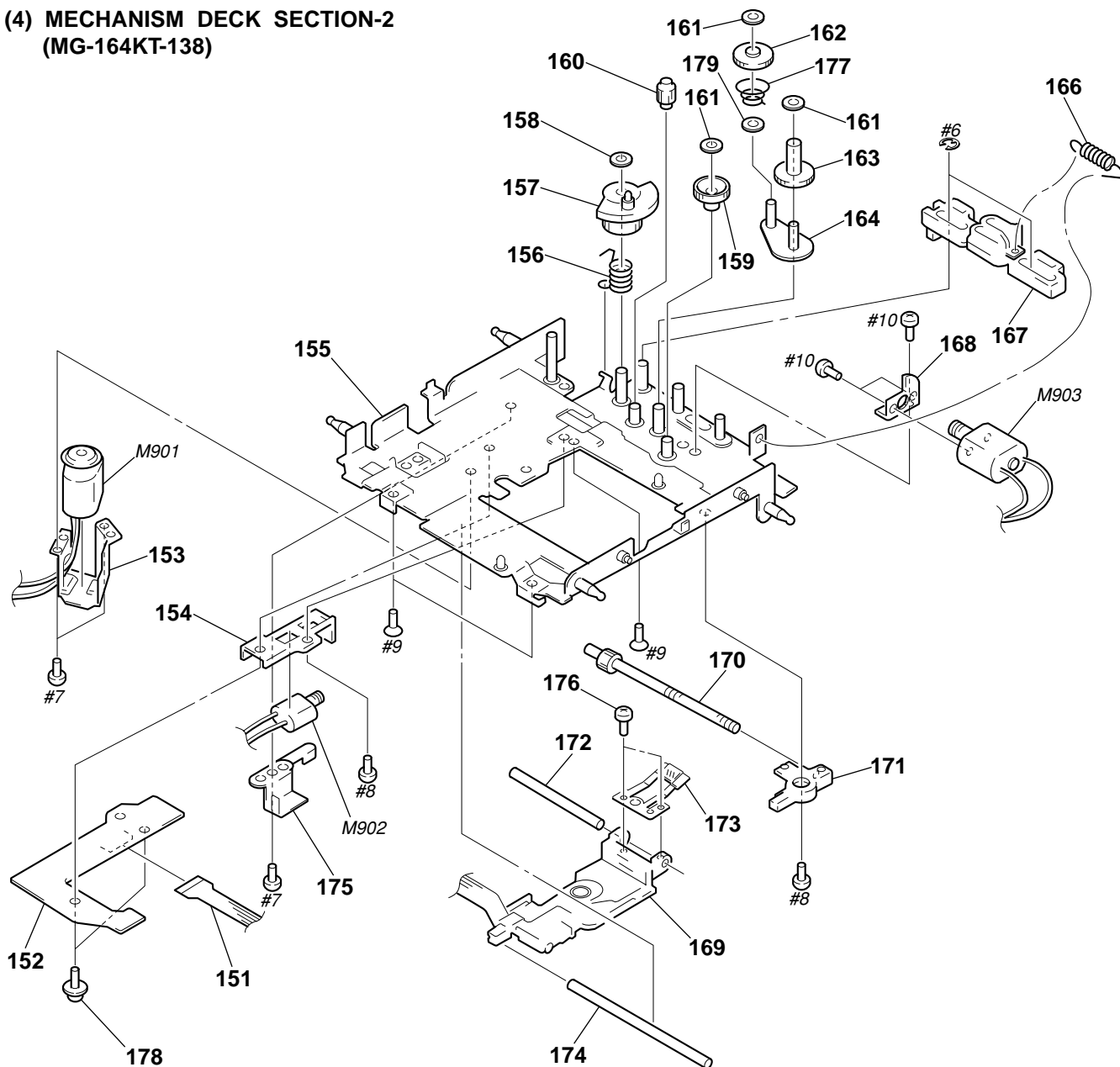
**(3) MECHANISM DECK SECTION-1  
(MG-164KT-138)**



Ref. No.	Part No.	Description	Remark	Ref. No.	Part No.	Description	Remark
* 101	A-3313-612-A	SERVO BOARD, COMPLE		* 110	3-919-280-01	LEVER (LOCK R)	
* 102	X-3369-440-1	CHASSIS ASSY, MD		111	3-919-281-01	SPRING (CHKG)	
103	3-919-296-01	SPRING (FL), TENSION		* 112	X-3369-441-1	COVER ASSY, MD	
104	3-921-111-01	SPRING (FL2), TENSION		113	3-342-940-01	WASHER (M)	
105	3-919-273-01	DAMPER, OIL		* 114	X-3369-445-1	LEVER (LE) ASSY	
* 106	X-3369-444-1	HOLDER ASSY		115	3-919-274-01	SPRING (LE)	
107	3-919-319-01	SPRING (HOLDER)		116	3-925-034-01	ROLLER (GLE)	
108	3-919-320-01	SPRING (SUB HOLDER)		* 117	X-3369-443-1	ARM ASSY, CHUCKING	
* 109	3-919-436-01	CUSHION (EJ)		* 118	3-919-279-01	LEVER (LOCK L)	



**(4) MECHANISM DECK SECTION-2  
(MG-164KT-138)**



<p>The components identified by mark <math>\Delta</math> or dotted line with mark <math>\Delta</math> are critical for safety. Replace only with part number specified.</p>	<p>Les composants identifiés par une marque <math>\Delta</math> sont critiques pour la sécurité. Ne les remplacer que par une pièce portant le numéro spécifié.</p>
---	---

Ref. No.	Part No.	Description	Remark	Ref. No.	Part No.	Description	Remark
151	1-654-693-11	SENSOR FLEXIBLE BOARD		* 168	3-919-312-01	BRACKET (MOTOR)	
152	A-3309-892-A	SENSOR BOARD, COMPLETE		$\Delta$ 169	8-583-037-02	OPTICAL PICK-UP KMS-241A/J2RP	
* 153	3-919-297-01	RETAINER (SP)		170	X-3373-213-1	SCREW ASSY, FEED	
* 154	3-919-284-01	BASE (SL)		* 171	3-919-294-01	BEARING (SL)	
* 155	X-3369-442-1	CHASSIS (OP) ASSY		* 172	3-919-293-01	SHAFT (SL)	
156	3-919-339-01	SPRING (GLE)		173	3-010-091-01	SPRING (SL FEED)	
157	3-919-317-01	GEAR (LE)		* 174	3-920-537-01	SHAFT (SL2)	
158	4-926-562-01	WASHER, STOPPER		* 175	3-919-283-01	BRACKET (SL)	
159	3-919-313-01	WHEEL, WORM		176	3-703-816-32	SCREW (M1.4X1.6), SPECIAL HEAD	
160	3-919-316-01	GEAR (R)		177	3-924-721-01	SPRING (B-T)	
161	3-342-940-01	WASHER (M)		178	2-626-617-01	SCREW (2X8)	
162	3-919-315-01	GEAR (S)		179	3-701-437-01	WASHER	
163	3-919-314-01	GEAR (F)		M901	A-3301-407-A	MOTOR ASSY, SP (SPINDLE)	
164	X-3369-446-1	LEVER (S) ASSY		M902	A-3291-190-A	MOTOR ASSY, SL (SLED)	
166	3-919-282-01	SPRING (RACK), TENSION		M903	A-3291-191-A	MOTOR ASSY, LO (LOADING)	
167	X-3369-447-1	RACK ASSY					

**KEY**

**SECTION 7  
ELECTRICAL PARTS LIST**

**NOTE:**

- Due to standardization, replacements in the parts list may be different from the parts specified in the diagrams or the components used on the set.
- -XX and -X mean standardized parts, so they may have some difference from the original one.
- RESISTORS  
All resistors are in ohms.  
METAL: Metal-film resistor.  
METAL OXIDE: Metal oxide-film resistor.  
F: nonflammable
- Abbreviation  
Type A: See page 3 for Type A/B Discrimination.  
Type B: See page 3 for Type A/B Discrimination.

- Items marked “\*” are not stocked since they are seldom required for routine service. Some delay should be anticipated when ordering these items.
- SEMICONDUCTORS  
In each case, u:  $\mu$ , for example:  
uA. . . :  $\mu$ A. . .    uPA. . . :  $\mu$ PA. . .  
uPB. . . :  $\mu$ PB. . .    uPC. . . :  $\mu$ PC. . .  
uPD. . . :  $\mu$ PD. . .
- CAPACITORS  
uF:  $\mu$ F
- COILS  
uH:  $\mu$ H

The components identified by mark  $\Delta$  or dotted line with mark  $\Delta$  are critical for safety. Replace only with part number specified.

Les composants identifiés par une marque  $\Delta$  sont critiques pour la sécurité. Ne les remplacer que par une pièce portant le numéro spécifié.

When indicating parts by reference number, please include the board.

Ref. No.	Part No.	Description	Remark	Ref. No.	Part No.	Description	Remark
		KEY BOARD *****				< IC >	
*	3-023-608-01	HOLDER (LCD)		IC801	8-759-496-75	IC uPD16432BGC-018-9EU	
*	3-023-609-01	PLATE (LCD), LIGHT GUIDE				< LIQUID CRYSTAL DISPLAY >	
*	3-023-610-01	PLATE (LCD), GROUND		LCD801	1-803-111-11	DISPLAY PANEL, LIQUID CRYSTAL	
*	3-023-621-01	SHEET (LCD)				< SWITCH >	
*	3-023-624-01	ILLUMINATOR (LCD)		LSW801	1-762-620-11	SWITCH, KEY BOARD (WITH LED)(OFF)	
		< CAPACITOR >		LSW802	1-762-620-11	SWITCH, KEY BOARD (WITH LED)(SOURCE)	
C802	1-163-809-11	CERAMIC CHIP 0.047uF 10% 25V		LSW803	1-771-290-11	SWITCH, SLIDE (SEEK/AMS)	
C803	1-164-489-11	CERAMIC CHIP 0.22uF 10% 16V		LSW804	1-762-620-11	SWITCH, KEY BOARD (WITH LED)(MODE)	
C804	1-164-489-11	CERAMIC CHIP 0.22uF 10% 16V		LSW805	1-762-937-11	SWITCH, ROTARY (D-BASS)	
C805	1-164-489-11	CERAMIC CHIP 0.22uF 10% 16V		LSW806	1-762-620-11	SWITCH, KEY BOARD (WITH LED)(SOUND)	
C806	1-163-809-11	CERAMIC CHIP 0.047uF 10% 25V		LSW807	1-762-620-11	SWITCH, KEY BOARD (WITH LED)(SHIFT)	
C811	1-163-009-11	CERAMIC CHIP 0.001uF 10% 50V		LSW808	1-762-620-11	SWITCH, KEY BOARD (WITH LED)(1)	
C812	1-163-009-11	CERAMIC CHIP 0.001uF 10% 50V		LSW809	1-762-620-11	SWITCH, KEY BOARD (WITH LED)(2)	
C813	1-163-009-11	CERAMIC CHIP 0.001uF 10% 50V		LSW810	1-762-620-11	SWITCH, KEY BOARD (WITH LED)(3)	
C814	1-163-009-11	CERAMIC CHIP 0.001uF 10% 50V		LSW811	1-762-620-11	SWITCH, KEY BOARD (WITH LED)(4)	
C815	1-163-009-11	CERAMIC CHIP 0.001uF 10% 50V		LSW812	1-762-620-11	SWITCH, KEY BOARD (WITH LED)( $\Delta$ )	
		< CONNECTOR >		LSW813	1-762-620-11	SWITCH, KEY BOARD (WITH LED)(DSPL)	(C7900R)
CNP801	1-764-423-11	PIN, CONNECTOR 12P		LSW814	1-762-620-11	SWITCH, KEY BOARD (WITH LED)(LIST)	(C7900)
		< DIODE >		LSW814	1-762-620-11	SWITCH, KEY BOARD (WITH LED) (PTY/LIST)	(C7900R)
D802	8-719-056-83	DIODE UDZ-TE-17-6.8B		LSW815	1-762-620-11	SWITCH, KEY BOARD (WITH LED)(DSPL)	(C7900)
D803	8-719-056-83	DIODE UDZ-TE-17-6.8B		LSW815	1-762-620-11	SWITCH, KEY BOARD (WITH LED)(AF/TA)	(C7900R)
D804	8-719-056-83	DIODE UDZ-TE-17-6.8B		LSW816	1-762-620-11	SWITCH, KEY BOARD (WITH LED)(10)	
D806	8-719-977-00	DIODE DTZ5.1C		LSW817	1-762-620-11	SWITCH, KEY BOARD (WITH LED)(9)	
D807	8-719-977-00	DIODE DTZ5.1C		LSW818	1-762-620-11	SWITCH, KEY BOARD (WITH LED)(8)	
D808	8-719-978-69	DIODE DTZ-TT11-16B		LSW819	1-762-620-11	SWITCH, KEY BOARD (WITH LED)(7)	
D811	8-719-987-45	DIODE CL-155Y/PG-CD (ILLUMINATION)		LSW820	1-762-620-11	SWITCH, KEY BOARD (WITH LED)(6)	
D812	8-719-987-45	DIODE CL-155Y/PG-CD (ILLUMINATION)		LSW821	1-762-620-11	SWITCH, KEY BOARD (WITH LED)(5)	
D813	8-719-987-45	DIODE CL-155Y/PG-CD (MD WINDOW)				< PILOT LAMP >	
D814	8-719-987-45	DIODE CL-155Y/PG-CD (ILLUMINATION)		PL801	1-517-630-31	LAMP, PILOT (LCD BACK LIGHT)	
D815	8-719-987-45	DIODE CL-155Y/PG-CD (ILLUMINATION)		PL802	1-517-630-31	LAMP, PILOT (LCD BACK LIGHT)	
D816	8-719-987-45	DIODE CL-155Y/PG-CD (ILLUMINATION)					
D817	8-719-987-45	DIODE CL-155Y/PG-CD (MD WINDOW)					
D819	8-719-977-00	DIODE DTZ5.1C					
		< ROTARY ENCODER >					
EN801	1-475-014-11	ENCODER, ROTARY (VOLUME/BASS/TREBLE/BALANCE/FADER CONTROL)					

Ref. No.	Part No.	Description	Remark	Ref. No.	Part No.	Description	Remark
		< TRANSISTOR >		R852	1-216-081-00	METAL CHIP 22K 5%	1/10W
Q801	8-729-424-08	TRANSISTOR UN2111		R853	1-216-069-00	METAL CHIP 6.8K 5%	1/10W
Q802	8-729-424-08	TRANSISTOR UN2111		R854	1-216-061-00	METAL CHIP 3.3K 5%	1/10W
Q803	8-729-904-78	TRANSISTOR DTD113ZK		R856	1-216-049-00	METAL CHIP 470 5%	1/10W
Q804	8-729-904-66	TRANSISTOR DTD113EK		R857	1-216-295-00	SHORT 0 (C7900)	
Q805	8-729-106-60	TRANSISTOR 2SB1115A-YQ		R858	1-216-295-00	SHORT 0 (C7900)	
Q806	8-729-026-53	TRANSISTOR 2SA1576A-T106-QR		R861	1-216-041-00	METAL CHIP 470 5%	1/10W
Q807	8-729-905-35	TRANSISTOR 2SC4081T106R		R862	1-216-659-11	METAL CHIP 2.2K 0.5%	1/10W
		< RESISTOR >		R863	1-216-659-11	METAL CHIP 2.2K 0.5%	1/10W
R801	1-216-647-11	METAL CHIP 680 0.5%	1/10W	R865	1-216-061-00	METAL CHIP 3.3K 5%	1/10W
R802	1-216-647-11	METAL CHIP 680 0.5%	1/10W	R866	1-216-061-00	METAL CHIP 3.3K 5%	1/10W
R803	1-216-647-11	METAL CHIP 680 0.5%	1/10W	R867	1-216-061-00	METAL CHIP 3.3K 5%	1/10W
R804	1-216-651-11	METAL CHIP 1K 0.5%	1/10W			< COMPOSITION CIRCUIT BLOCK >	
R805	1-216-655-11	METAL CHIP 1.5K 0.5%	1/10W	RB802	1-233-810-21	RES, NETWORK 100K (3216)	
R806	1-216-655-11	METAL CHIP 1.5K 0.5%	1/10W	RB803	1-233-414-11	RES, CHIP NETWORK 4.7K (3216)	
R807	1-216-659-11	METAL CHIP 2.2K 0.5%	1/10W	*****			
R808	1-216-663-11	METAL CHIP 3.3K 0.5%	1/10W	*	A-3294-393-A	MAIN BOARD, COMPLETE (C7900R: AEP, UK)	
R809	1-216-667-11	METAL CHIP 4.7K 0.5%	1/10W	*	A-3294-394-A	MAIN BOARD, COMPLETE (C7900R: German)	
R810	1-216-671-11	METAL CHIP 6.8K 0.5%	1/10W	*	A-3294-410-A	MAIN BOARD, COMPLETE (C7900: US, Canadian)	
R812	1-216-647-11	METAL CHIP 680 0.5%	1/10W	*	A-3294-412-A	MAIN BOARD, COMPLETE (C7900: E)	
R813	1-216-647-11	METAL CHIP 680 0.5%	1/10W			*****	
R814	1-216-647-11	METAL CHIP 680 0.5%	1/10W	*	3-011-078-01	BRACKET (POWER IC)	
R815	1-216-651-11	METAL CHIP 1K 0.5%	1/10W	*	3-022-317-01	BRACKET (AMP)	
R816	1-216-655-11	METAL CHIP 1.5K 0.5%	1/10W	*	3-023-604-01	HEAT SINK	
R817	1-216-655-11	METAL CHIP 1.5K 0.5%	1/10W		7-685-794-09	SCREW +PTT 2.6X10 (S)	
R818	1-216-659-11	METAL CHIP 2.2K 0.5%	1/10W			< BUZZER >	
R819	1-216-663-11	METAL CHIP 3.3K 0.5%	1/10W	BZ1	1-504-920-11	BUZZER	
R820	1-216-667-11	METAL CHIP 4.7K 0.5%	1/10W			< CAPACITOR >	
R823	1-216-028-00	METAL CHIP 130 5%	1/10W	C1	1-163-235-11	CERAMIC CHIP 22PF 5%	50V
R824	1-216-023-00	METAL CHIP 82 5%	1/10W	C2	1-164-232-11	CERAMIC CHIP 0.01uF	50V
R827	1-216-028-00	METAL CHIP 130 5%	1/10W	C3	1-164-004-11	CERAMIC CHIP 0.1uF 10%	25V
R828	1-216-023-00	METAL CHIP 82 5%	1/10W			(C7900: US, Canadian)	
R829	1-216-028-00	METAL CHIP 130 5%	1/10W	C3	1-163-989-11	CERAMIC CHIP 0.033uF 10%	25V
R830	1-216-023-00	METAL CHIP 82 5%	1/10W			(C7900: E/C7900R)	
R831	1-216-028-00	METAL CHIP 130 5%	1/10W	C4	1-163-063-00	CERAMIC CHIP 0.022uF 10%	50V
R832	1-216-023-00	METAL CHIP 82 5%	1/10W			(C7900: US, Canadian)	
R833	1-216-028-00	METAL CHIP 130 5%	1/10W	C4	1-164-232-11	CERAMIC CHIP 0.01uF	50V
R833	1-216-036-00	METAL CHIP 300 5%	1/10W (C7900R)			(C7900: E/C7900R)	
R834	1-216-023-00	METAL CHIP 82 5%	1/10W (C7900R)	C5	1-163-063-00	CERAMIC CHIP 0.022uF 10%	50V
R834	1-216-034-00	METAL CHIP 240 5%	1/10W (C7900)			(C7900: E/C7900R)	
R835	1-216-048-00	RES, CHIP 910 5%	1/10W	C5	1-163-078-11	CERAMIC CHIP 0.033uF 10%	25V
R836	1-216-047-00	METAL CHIP 820 5%	1/10W			(C7900: US, Canadian)	
R838	1-216-028-00	METAL CHIP 130 5%	1/10W	C6	1-163-063-00	CERAMIC CHIP 0.022uF 10%	50V
R839	1-216-023-00	METAL CHIP 82 5%	1/10W			(C7900: E/C7900R)	
R840	1-216-041-00	METAL CHIP 470 5%	1/10W	C6	1-163-078-11	CERAMIC CHIP 0.033uF 10%	25V
R841	1-216-025-00	RES, CHIP 100 5%	1/10W			(C7900: US, Canadian)	
R842	1-216-048-00	RES, CHIP 910 5%	1/10W	C7	1-163-009-11	CERAMIC CHIP 0.001uF 10%	50V
R843	1-216-047-00	METAL CHIP 820 5%	1/10W	C8	1-163-251-11	CERAMIC CHIP 100PF 5%	50V
R845	1-216-699-11	RES, CHIP 100K 0.5%	1/10W	C9	1-163-251-11	CERAMIC CHIP 100PF 5%	50V
R846	1-216-651-11	METAL CHIP 1K 0.5%	1/10W	C10	1-163-251-11	CERAMIC CHIP 100PF 5%	50V
R847	1-216-651-11	METAL CHIP 1K 0.5%	1/10W	C11	1-163-009-11	CERAMIC CHIP 0.001uF 10%	50V
R849	1-216-667-11	METAL CHIP 4.7K 0.5%	1/10W			(C7900R)	
R850	1-216-667-11	METAL CHIP 4.7K 0.5%	1/10W	C12	1-163-017-00	CERAMIC CHIP 0.0047uF 10%	50V
						(C7900)	

**MAIN**

Ref. No.	Part No.	Description	Remark	Ref. No.	Part No.	Description	Remark
C12	1-164-161-11	CERAMIC CHIP	0.0022uF 10% 100V (C7900R)	C63	1-164-004-11	CERAMIC CHIP	0.1uF 10% 25V (C7900R)
C13	1-164-232-11	CERAMIC CHIP	0.01uF 50V (C7900R)	C100	1-115-866-11	ELECT	4.7uF 20% 35V
C14	1-115-340-11	CERAMIC CHIP	0.22uF 10% 25V (C7900R)	C101	1-115-866-11	ELECT	4.7uF 20% 35V
C15	1-164-004-11	CERAMIC CHIP	0.1uF 10% 25V	C103	1-115-866-11	ELECT	4.7uF 20% 35V
C16	1-115-340-11	CERAMIC CHIP	0.22uF 10% 25V (C7900)	C106	1-104-946-11	ELECT	10uF 20% 35V
C16	1-163-989-11	CERAMIC CHIP	0.033uF 10% 25V (C7900R)	C107	1-164-004-11	CERAMIC CHIP	0.1uF 10% 25V
C17	1-126-785-11	ELECT	47uF 20% 10V	C200	1-163-231-11	CERAMIC CHIP	15PF 5% 50V
C18	1-164-232-11	CERAMIC CHIP	0.01uF 50V	C201	1-164-232-11	CERAMIC CHIP	0.01uF 50V
C19	1-164-004-11	CERAMIC CHIP	0.1uF 10% 25V (C7900R)	C202	1-104-946-11	ELECT	10uF 20% 35V
C20	1-126-514-11	ELECT	22uF 20% 16V (C7900R)	C203	1-164-492-11	CERAMIC CHIP	0.15uF 10% 16V
C21	1-163-237-11	CERAMIC CHIP	27PF 5% 50V	C204	1-164-182-11	CERAMIC CHIP	0.0033uF 10% 50V
C22	1-163-237-11	CERAMIC CHIP	27PF 5% 50V	C205	1-126-794-11	ELECT	4.7uF 20% 25V
C23	1-164-004-11	CERAMIC CHIP	0.1uF 10% 25V (C7900R)	C206	1-163-235-11	CERAMIC CHIP	22PF 5% 50V
C24	1-164-182-11	CERAMIC CHIP	0.0033uF 10% 50V	C207	1-164-222-11	CERAMIC CHIP	0.22uF 25V
C25	1-126-785-11	ELECT	47uF 20% 10V	C208	1-104-946-11	ELECT	10uF 20% 35V
C26	1-126-382-11	ELECT	100uF 20% 16V	C209	1-164-232-11	CERAMIC CHIP	0.01uF 50V
C27	1-164-004-11	CERAMIC CHIP	0.1uF 10% 25V	C210	1-126-514-11	ELECT	22uF 20% 16V
C28	1-126-382-11	ELECT	100uF 20% 16V	C211	1-126-514-11	ELECT	22uF 20% 16V
C29	1-164-004-11	CERAMIC CHIP	0.1uF 10% 25V	C212	1-164-232-11	CERAMIC CHIP	0.01uF 50V
C30	1-126-382-11	ELECT	100uF 20% 16V	C213	1-163-014-00	CERAMIC CHIP	0.0027uF 10% 50V
C31	1-164-004-11	CERAMIC CHIP	0.1uF 10% 25V	C214	1-163-014-00	CERAMIC CHIP	0.0027uF 10% 50V
C32	1-126-382-11	ELECT	100uF 20% 16V	C215	1-104-946-11	ELECT	10uF 20% 35V
C33	1-128-241-11	ELECT	220uF 20% 10V	C216	1-163-031-11	CERAMIC CHIP	0.01uF 50V
C34	1-164-004-11	CERAMIC CHIP	0.1uF 10% 25V	C217	1-164-232-11	CERAMIC CHIP	0.01uF 50V
C35	1-164-004-11	CERAMIC CHIP	0.1uF 10% 25V	C218	1-164-004-11	CERAMIC CHIP	0.1uF 10% 25V
C37	1-164-232-11	CERAMIC CHIP	0.01uF 50V	C219	1-163-259-00	CERAMIC CHIP	220PF 5% 50V
C40	1-104-955-11	ELECT	100uF 20% 10V	C220	1-163-038-00	CERAMIC CHIP	0.1uF 25V
C50	1-163-038-00	CERAMIC CHIP	0.1uF 25V (C7900R)	C221	1-104-946-11	ELECT	10uF 20% 35V
C51	1-163-133-00	CERAMIC CHIP	470PF 5% 50V (C7900R)	C222	1-126-794-11	ELECT	4.7uF 20% 25V
C52	1-163-104-00	CERAMIC CHIP	30PF 5% 50V (C7900R)	C223	1-126-794-11	ELECT	4.7uF 20% 25V
C53	1-163-104-00	CERAMIC CHIP	30PF 5% 50V (C7900R)	C224	1-163-133-00	CERAMIC CHIP	470PF 5% 50V
C54	1-163-011-11	CERAMIC CHIP	0.0015uF 10% 50V (C7900R)	C225	1-164-004-11	CERAMIC CHIP	0.1uF 10% 25V
C55	1-163-125-00	CERAMIC CHIP	220PF 5% 50V (C7900R)	C226	1-164-004-11	CERAMIC CHIP	0.1uF 10% 25V
C56	1-163-125-00	CERAMIC CHIP	220PF 5% 50V (C7900R)	C227	1-163-259-00	CERAMIC CHIP	220PF 5% 50V
C57	1-164-161-11	CERAMIC CHIP	0.0022uF 10% 100V (C7900R)	C228	1-163-133-00	CERAMIC CHIP	470PF 5% 50V
C58	1-163-135-00	CERAMIC CHIP	560PF 5% 50V (C7900R)	C229	1-164-004-11	CERAMIC CHIP	0.1uF 10% 25V
C59	1-164-505-11	CERAMIC CHIP	2.2uF 16V (C7900R)	C250	1-126-767-11	ELECT	1000uF 20% 16V
C60	1-163-263-11	CERAMIC CHIP	330PF 5% 50V (C7900R)	C251	1-124-635-00	ELECT	220uF 20% 6.3V
C61	1-164-004-11	CERAMIC CHIP	0.1uF 10% 25V (C7900R)	C252	1-163-259-00	CERAMIC CHIP	220PF 5% 50V
C62	1-163-038-00	CERAMIC CHIP	0.1uF 25V (C7900R)	C253	1-126-382-11	ELECT	100uF 20% 16V
				C254	1-126-514-11	ELECT	22uF 20% 16V
				C255	1-164-004-11	CERAMIC CHIP	0.1uF 10% 25V
				C256	1-126-796-11	ELECT	22uF 20% 25V
				C257	1-163-038-00	CERAMIC CHIP	0.1uF 25V
				C300	1-115-872-11	ELECT	2.2uF 20% 50V
				C301	1-164-506-11	CERAMIC CHIP	4.7uF 16V
				C302	1-164-004-11	CERAMIC CHIP	0.1uF 10% 25V
				C303	1-164-004-11	CERAMIC CHIP	0.1uF 10% 25V
				C304	1-115-871-11	ELECT	1uF 20% 50V
				C305	1-115-871-11	ELECT	1uF 20% 50V
				C306	1-164-182-11	CERAMIC CHIP	0.0033uF 10% 50V
				C307	1-163-037-11	CERAMIC CHIP	0.022uF 10% 25V
				C308	1-128-428-11	ELECT	10uF 20% 35V
				C309	1-164-492-11	CERAMIC CHIP	0.15uF 10% 16V
				C310	1-164-492-11	CERAMIC CHIP	0.15uF 10% 16V
				C311	1-128-428-11	ELECT	10uF 20% 35V
				C312	1-163-809-11	CERAMIC CHIP	0.047uF 10% 25V

Ref. No.	Part No.	Description	Remark	Ref. No.	Part No.	Description	Remark
C313	1-126-382-11	ELECT	100uF 20% 6.3V	C801	1-128-428-11	ELECT	10uF 20% 35V
C314	1-115-866-11	ELECT	4.7uF 20% 35V	C802	1-128-428-11	ELECT	10uF 20% 35V
C315	1-115-866-11	ELECT	4.7uF 20% 35V	C803	1-128-428-11	ELECT	10uF 20% 35V
C316	1-163-251-11	CERAMIC CHIP	100PF 5% 50V	C804	1-128-428-11	ELECT	10uF 20% 35V
C317	1-163-251-11	CERAMIC CHIP	100PF 5% 50V	C805	1-128-428-11	ELECT	10uF 20% 35V
C318	1-163-251-11	CERAMIC CHIP	100PF 5% 50V	C806	1-164-004-11	CERAMIC CHIP	0.1uF 10% 25V
C319	1-164-004-11	CERAMIC CHIP	0.1uF 10% 25V	C807	1-164-346-11	CERAMIC CHIP	1uF 16V
C320	1-164-004-11	CERAMIC CHIP	0.1uF 10% 25V	C900	1-115-866-11	ELECT	4.7uF 20% 35V
C321	1-164-004-11	CERAMIC CHIP	0.1uF 10% 25V	C901	1-163-133-00	CERAMIC CHIP	470PF 5% 50V
C322	1-163-251-11	CERAMIC CHIP	100PF 5% 50V	C902	1-163-133-00	CERAMIC CHIP	470PF 5% 50V
C323	1-163-251-11	CERAMIC CHIP	100PF 5% 50V	C903	1-104-329-11	CERAMIC CHIP	0.1uF 10% 50V
C324	1-164-222-11	CERAMIC CHIP	0.22uF 25V	C904	1-128-241-11	ELECT	220uF 20% 10V
C325	1-164-222-11	CERAMIC CHIP	0.22uF 25V	C905	1-125-710-11	DOUBLE LAYER	0.1F 5.5V
C400	1-115-872-11	ELECT	2.2uF 20% 50V	C914	1-163-038-00	CERAMIC CHIP	0.1uF 25V
C401	1-164-004-11	CERAMIC CHIP	0.1uF 10% 25V	C916	1-163-038-00	CERAMIC CHIP	0.1uF 25V
C402	1-164-004-11	CERAMIC CHIP	0.1uF 10% 25V				(Type A)
C403	1-164-506-11	CERAMIC CHIP	4.7uF 16V				(Type A)
C404	1-104-955-11	ELECT	100uF 20% 10V	C917	1-124-635-00	ELECT	220uF 20% 6.3V
C405	1-163-809-11	CERAMIC CHIP	0.047uF 10% 25V	C918	1-126-514-11	ELECT	22uF 20% 16V
C406	1-115-871-11	ELECT	1uF 20% 50V				(Type A)
C407	1-115-871-11	ELECT	1uF 20% 50V	C920	1-164-004-11	CERAMIC CHIP	0.1uF 10% 25V
C408	1-164-182-11	CERAMIC CHIP	0.0033uF 10% 50V	C990	1-164-346-11	CERAMIC CHIP	1uF 16V
C409	1-163-037-11	CERAMIC CHIP	0.022uF 10% 25V	C991	1-164-004-11	CERAMIC CHIP	0.1uF 10% 25V
C410	1-126-791-11	ELECT	10uF 20% 16V	C992	1-113-342-11	CERAMIC CHIP	0.1uF 50V
C411	1-164-492-11	CERAMIC CHIP	0.15uF 10% 16V	C993	1-164-506-11	CERAMIC CHIP	4.7uF 16V
C412	1-164-492-11	CERAMIC CHIP	0.15uF 10% 16V	C994	1-164-506-11	CERAMIC CHIP	4.7uF 16V
C413	1-126-791-11	ELECT	10uF 20% 16V	C995	1-164-506-11	CERAMIC CHIP	4.7uF 16V
C414	1-115-866-11	ELECT	4.7uF 20% 35V	C999	1-163-133-00	CERAMIC CHIP	470PF 5% 50V
C415	1-115-866-11	ELECT	4.7uF 20% 35V				< CONNECTOR >
C416	1-163-251-11	CERAMIC CHIP	100PF 5% 50V	CN200	1-764-617-12	PIN, CONNECTOR (PC BOARD)	30P
C417	1-163-251-11	CERAMIC CHIP	100PF 5% 50V	CN900	1-764-422-11	PLUG, CONNECTOR	12P
C418	1-163-251-11	CERAMIC CHIP	100PF 5% 50V	CNJ600	1-580-907-31	PLUG, CONNECTOR (BUS CONTROL IN)	
C419	1-163-251-11	CERAMIC CHIP	100PF 5% 50V	CNP300	1-774-700-11	JACK, PIN 6P (BUS AUDIO IN/LINE OUT)	
C420	1-163-251-11	CERAMIC CHIP	100PF 5% 50V	CNP500	1-774-701-11	PIN, CONNECTOR	16P
C424	1-164-222-11	CERAMIC CHIP	0.22uF 25V				< CONPOSITION CIRCUIT BLOCK >
C425	1-164-222-11	CERAMIC CHIP	0.22uF 25V	CP1	1-519-504-11	GAP, DISCHARGE	
C501	1-163-038-00	CERAMIC CHIP	0.1uF 25V				< DIODE >
C502	1-115-334-11	FILM	0.47uF 5% 50V	D1	8-719-977-03	DIODE DTZ5.6B	
C503	1-107-888-11	ELECT	47uF 20% 25V	D3	8-719-981-59	DIODE FC805	
C504	1-164-004-11	CERAMIC CHIP	0.1uF 10% 25V	D4	8-719-423-10	DIODE MA8100-M-TX	
C505	1-164-004-11	CERAMIC CHIP	0.1uF 10% 25V	D5	8-719-421-24	DIODE MA8039-H	
C506	1-164-232-11	CERAMIC CHIP	0.01uF 50V	D200	8-719-313-73	DIODE SFPB-52	
C507	1-126-016-11	ELECT	4700uF 20% 16V	D201	8-719-422-31	DIODE MA8047-M	
C508	1-164-004-11	CERAMIC CHIP	0.1uF 10% 25V	D202	8-719-423-32	DIODE MA8120-M	
C510	1-126-786-11	ELECT	47uF 20% 16V	D300	8-719-914-42	DIODE DA204K	
C601	1-115-866-11	ELECT	4.7uF 20% 35V	D301	8-719-914-42	DIODE DA204K	
C700	1-164-346-11	CERAMIC CHIP	1uF 16V	D302	8-719-914-42	DIODE DA204K	
C701	1-115-871-11	ELECT	1uF 20% 50V	D303	8-719-421-27	DIODE MA728	
C702	1-164-505-11	CERAMIC CHIP	2.2uF 16V	D500	8-719-988-62	DIODE 1SS355	
C703	1-163-133-00	CERAMIC CHIP	470PF 5% 50V	D501	8-719-017-62	DIODE MA8068-L-TX	
C704	1-164-004-11	CERAMIC CHIP	0.1uF 10% 25V	D502	8-719-052-59	DIODE 1N5404TU-15	
C705	1-164-004-11	CERAMIC CHIP	0.1uF 10% 25V	D503	8-719-053-18	DIODE 1SR154-400TE-25	
C706	1-164-004-11	CERAMIC CHIP	0.1uF 10% 25V	D504	8-719-053-18	DIODE 1SR154-400TE-25	
C707	1-164-232-11	CERAMIC CHIP	0.01uF 50V	D505	8-719-053-18	DIODE 1SR154-400TE-25	
C708	1-163-231-11	CERAMIC CHIP	15PF 5% 50V	D506	8-719-053-18	DIODE 1SR154-400TE-25	
C709	1-163-091-00	CERAMIC CHIP	8PF 0.25PF 50V				
C800	1-128-428-11	ELECT	10uF 20% 35V				

**MAIN**

Ref. No.	Part No.	Description	Remark	Ref. No.	Part No.	Description	Remark
D507	8-719-053-18	DIODE 1SR154-400TE-25		J900	1-566-822-41	JACK (REMOTE IN)	
D508	8-719-053-18	DIODE 1SR154-400TE-25				< COIL >	
D509	8-719-053-18	DIODE 1SR154-400TE-25		L1	1-412-951-11	INDUCTOR CHIP 10uH	
D510	8-719-053-18	DIODE 1SR154-400TE-25		L2	1-216-296-00	SHORT 0	
D600	8-719-057-80	DIODE MA8160-M-TX		L3	1-412-055-11	INDUCTOR CHIP 3.3uH	
D601	8-719-057-80	DIODE MA8160-M-TX		L50	1-412-951-11	INDUCTOR 10uH (C7900R)	
D602	8-719-017-62	DIODE MA8068-L-TX		L200	1-412-955-11	INDUCTOR 22uH	
D603	8-719-022-90	DIODE MA8160M		L201	1-412-955-11	INDUCTOR 22uH	
D604	8-719-017-62	DIODE MA8068-L-TX		L202	1-412-955-11	INDUCTOR 22uH	
D700	1-216-049-11	RES, CHIP 1K	5% 1/10W	L230	1-412-955-11	INDUCTOR 22uH	
D701	8-719-914-43	DIODE DAN202K		L231	1-412-955-11	INDUCTOR 22uH	
D702	8-719-914-44	DIODE DAP202K		L250	1-412-533-21	INDUCTOR 47uH	
D800	8-719-053-18	DIODE 1SR154-400TE-25		L251	1-412-537-31	INDUCTOR 100uH	
D801	8-719-053-18	DIODE 1SR154-400TE-25		L252	1-412-533-21	INDUCTOR 47uH	
D802	8-719-988-62	DIODE 1SS355		L500	1-416-712-21	COIL, CHOKE 4700uH	
D803	8-719-400-20	DIODE MA152WA		L700	1-412-058-11	INDUCTOR CHIP 10uH	
D900	8-719-988-62	DIODE 1SS355		L800	1-414-546-11	INDUCTOR 22uH	
D901	8-719-423-23	DIODE MA8110-M				< TRANSISTOR >	
D902	8-719-017-62	DIODE MA8068-L-TX		Q1	8-729-230-49	TRANSISTOR 2SC2712-YG	
D903	8-719-017-62	DIODE MA8068-L-TX		Q2	8-729-120-28	TRANSISTOR 2SC1623-L5L6	
D904	8-719-017-62	DIODE MA8068-L-TX		Q4	8-729-021-94	TRANSISTOR 2SK1657-T1B	
D905	8-719-017-62	DIODE MA8068-L-TX		Q5	8-729-900-53	TRANSISTOR DTC114EK (C7900R)	
D906	8-719-017-62	DIODE MA8068-L-TX		Q6	8-729-920-85	TRANSISTOR 2SD1664-QR	
D907	8-719-017-62	DIODE MA8068-L-TX		Q50	8-729-230-49	TRANSISTOR 2SC2712-YG (C7900R)	
D908	8-719-017-62	DIODE MA8068-L-TX		Q51	8-729-020-67	TRANSISTOR XN1A312-TX (C7900R)	
D909	8-719-017-62	DIODE MA8068-L-TX		Q100	8-729-920-21	TRANSISTOR DTC314TKH04	
D910	8-719-017-62	DIODE MA8068-L-TX		Q101	8-729-920-21	TRANSISTOR DTC314TKH04	
D911	8-719-423-32	DIODE MA8120-M		Q102	8-729-920-21	TRANSISTOR DTC314TKH04	
D912	8-719-914-44	DIODE DAP202K		Q103	8-729-020-67	TRANSISTOR XN1A312-TX	
D913	8-719-420-14	DIODE MA8082-M		Q250	8-729-106-60	TRANSISTOR 2SB1115A	
D914	8-719-053-18	DIODE 1SR154-400TE-25 (Type A)		Q251	8-729-900-53	TRANSISTOR DTC114EK	
D916	8-719-404-49	DIODE MA111		Q252	8-729-920-85	TRANSISTOR 2SD1664-QR	
		< IC >		Q253	8-729-020-67	TRANSISTOR XN1A312-TX	
IC100	8-759-448-85	IC BU2624FV-E2		Q254	8-729-807-12	TRANSISTOR 2SD1802-S	
IC102	8-759-492-59	IC SAA6588T-118 (C7900R)		Q255	8-729-020-67	TRANSISTOR XN1A312-TX	
IC103	8-759-184-64	IC TC4W66FU (C7900R)		Q300	8-729-920-21	TRANSISTOR DTC314TKH04	
IC200	8-759-158-96	IC TC9246F-TP1		Q301	8-729-920-21	TRANSISTOR DTC314TKH04	
IC201	8-759-473-70	IC SM5852FS-E2		Q302	8-729-920-21	TRANSISTOR DTC314TKH04	
IC202	8-759-464-81	IC PCM1717E-ST2		Q303	8-729-920-21	TRANSISTOR DTC314TKH04	
IC203	8-759-711-82	IC NJM4580E		Q400	8-729-920-21	TRANSISTOR DTC314TKH04	
IC204	8-759-238-47	IC TC74HCT7007AF(EL)		Q401	8-729-920-21	TRANSISTOR DTC314TKH04	
IC250	8-759-337-67	IC NJM2360AM(TE2)		Q402	8-729-920-21	TRANSISTOR DTC314TKH04	
IC300	8-759-487-82	IC LC75374E		Q403	8-729-920-21	TRANSISTOR DTC314TKH04	
IC500	8-759-490-74	IC TDA7384		Q500	8-729-120-28	TRANSISTOR 2SC1623-L5L6	
IC600	8-759-449-89	IC BA8270F-E2		Q600	8-729-424-08	TRANSISTOR UN2111	
IC700	8-759-532-49	IC MB90574PFV-G-113-BND	(C7900R: Type A)	Q601	8-729-421-22	TRANSISTOR UN2211	
IC700	8-759-532-50	IC MB90574PFV-G-114-BND	(C7900: Type A)	Q603	8-729-920-21	TRANSISTOR DTC314TKH04	
IC700	8-759-536-84	IC MB90F574PFV-G-113	(C7900R: Type B)	Q700	8-729-424-08	TRANSISTOR UN2111	
IC700	8-759-536-85	IC MB90F574PFV-G-114	(C7900: Type B)	Q701	8-729-421-22	TRANSISTOR UN2211	
IC800	8-759-347-50	IC BA3918-V3		Q900	8-729-120-28	TRANSISTOR 2SC1623-L5L6	
IC801	8-759-363-81	IC XC61AN4002PR		Q901	8-729-026-49	TRANSISTOR 2SA1037AK-T146-R	
IC802	8-759-344-91	IC RN5VD23AA-TL		Q902	8-729-120-28	TRANSISTOR 2SC1623-L5L6	
IC900	8-759-496-74	IC TA78DL06S (Type A)		Q903	8-729-026-68	TRANSISTOR 2SD2525(TP)	
		< JACK >		Q904	8-729-026-68	TRANSISTOR 2SD2525(TP)	
J1	1-764-808-31	JACK (ANT)(FM/AM ANTENNA)		Q905	8-729-924-73	TRANSISTOR FMA9	
				Q906	8-729-921-25	TRANSISTOR FMC2	

Ref. No.	Part No.	Description	Remark	Ref. No.	Part No.	Description	Remark
Q991	8-729-920-21	TRANSISTOR	DTC314TKH04	R104	1-216-081-00	METAL CHIP	22K 5% 1/10W
Q992	8-729-920-21	TRANSISTOR	DTC314TKH04				(C7900: E/C7900R)
Q993	8-729-424-08	TRANSISTOR	UN2111	R105	1-216-077-00	METAL CHIP	15K 5% 1/10W
		< RESISTOR >					(C7900: US, Canadian)
R1	1-216-049-11	RES, CHIP	1K 5% 1/10W	R106	1-216-081-00	METAL CHIP	22K 5% 1/10W
R2	1-216-041-11	METAL CHIP	470 5% 1/10W				(C7900: E/C7900R)
R3	1-216-077-00	METAL CHIP	15K 5% 1/10W	R106	1-216-073-00	METAL CHIP	10K 5% 1/10W
R4	1-216-081-00	METAL CHIP	22K 5% 1/10W				(C7900: E/C7900R: AEP, UK)
R5	1-216-049-11	RES, CHIP	1K 5% 1/10W	R106	1-216-075-00	METAL CHIP	12K 5% 1/10W
							(C7900: US, Canadian)
R6	1-216-037-00	METAL CHIP	330 5% 1/10W	R107	1-216-295-00	SHORT	0
R7	1-216-073-00	METAL CHIP	10K 5% 1/10W	R109	1-216-089-00	RES, CHIP	47K 5% 1/10W
R8	1-216-073-00	METAL CHIP	10K 5% 1/10W	R111	1-216-073-00	METAL CHIP	10K 5% 1/10W
R10	1-216-073-00	METAL CHIP	10K 5% 1/10W				
R11	1-216-065-00	RES, CHIP	4.7K 5% 1/10W	R112	1-216-073-00	METAL CHIP	10K 5% 1/10W
				R114	1-216-089-00	RES, CHIP	47K 5% 1/10W
R12	1-216-073-00	METAL CHIP	10K 5% 1/10W	R116	1-216-295-00	SHORT	0
			(C7900)	R200	1-216-025-00	RES, CHIP	100 5% 1/10W
R12	1-216-077-00	METAL CHIP	15K 5% 1/10W	R201	1-216-053-00	METAL CHIP	1.5K 5% 1/10W
			(C7900R)				
R13	1-216-295-00	SHORT	0	R202	1-216-091-00	METAL CHIP	56K 5% 1/10W
R14	1-216-061-00	METAL CHIP	3.3K 5% 1/10W	R203	1-216-025-00	RES, CHIP	100 5% 1/10W
R15	1-216-081-00	METAL CHIP	22K 5% 1/10W	R204	1-216-027-00	METAL CHIP	120 5% 1/10W
				R205	1-216-025-00	RES, CHIP	100 5% 1/10W
R16	1-216-065-00	RES, CHIP	4.7K 5% 1/10W	R206	1-216-025-00	RES, CHIP	100 5% 1/10W
			(C7900R)				
R17	1-216-065-00	RES, CHIP	4.7K 5% 1/10W	R207	1-216-025-00	RES, CHIP	100 5% 1/10W
			(C7900R)	R208	1-216-025-00	RES, CHIP	100 5% 1/10W
R18	1-216-073-00	METAL CHIP	10K 5% 1/10W	R209	1-216-025-00	RES, CHIP	100 5% 1/10W
			(C7900R)	R210	1-216-025-00	RES, CHIP	100 5% 1/10W
R20	1-216-057-00	METAL CHIP	2.2K 5% 1/10W	R211	1-216-025-00	RES, CHIP	100 5% 1/10W
R21	1-216-057-00	METAL CHIP	2.2K 5% 1/10W				
				R212	1-216-073-00	METAL CHIP	10K 5% 1/10W
R22	1-216-057-00	METAL CHIP	2.2K 5% 1/10W	R214	1-216-064-00	METAL CHIP	4.3K 5% 1/10W
R30	1-216-238-00	RES, CHIP	47K 5% 1/8W	R215	1-216-061-00	METAL CHIP	3.3K 5% 1/10W
			(C7900R)	R216	1-216-061-00	METAL CHIP	3.3K 5% 1/10W
R31	1-216-198-00	RES, CHIP	1K 5% 1/8W	R217	1-216-061-00	METAL CHIP	3.3K 5% 1/10W
R33	1-216-295-00	SHORT	0				
R50	1-216-097-00	RES, CHIP	100K 5% 1/10W	R218	1-216-061-00	METAL CHIP	3.3K 5% 1/10W
			(C7900R)	R219	1-216-064-00	METAL CHIP	4.3K 5% 1/10W
				R220	1-216-025-00	RES, CHIP	100 5% 1/10W
R51	1-216-113-00	METAL CHIP	470K 5% 1/10W	R221	1-216-025-00	RES, CHIP	100 5% 1/10W
			(C7900R)	R222	1-216-025-00	RES, CHIP	100 5% 1/10W
R52	1-216-049-11	RES, CHIP	1K 5% 1/10W				
			(C7900R)	R224	1-216-073-00	METAL CHIP	10K 5% 1/10W
R53	1-216-049-11	RES, CHIP	1K 5% 1/10W	R225	1-216-073-00	METAL CHIP	10K 5% 1/10W
			(C7900R)	R227	1-216-089-00	RES, CHIP	47K 5% 1/10W
R55	1-216-041-00	METAL CHIP	470 5% 1/10W	R228	1-216-089-00	RES, CHIP	47K 5% 1/10W
			(C7900R)	R229	1-216-295-00	SHORT	0
R56	1-216-035-00	METAL CHIP	270 5% 1/10W				
			(C7900R)	R230	1-216-025-00	RES, CHIP	100 5% 1/10W
R57	1-216-035-00	METAL CHIP	270 5% 1/10W	R231	1-216-025-00	RES, CHIP	100 5% 1/10W
			(C7900R)	R232	1-216-025-00	RES, CHIP	100 5% 1/10W
R58	1-216-001-00	METAL CHIP	10 5% 1/10W	R250	1-219-986-11	METAL CHIP	0.2 1% 1/4W
			(C7900R)	R255	1-216-663-11	METAL CHIP	3.3K 0.5% 1/10W
R103	1-216-033-00	METAL CHIP	220 5% 1/10W				
			(C7900R: German)	R256	1-216-057-00	METAL CHIP	2.2K 5% 1/10W
R103	1-216-073-00	METAL CHIP	10K 5% 1/10W	R257	1-216-073-00	METAL CHIP	10K 5% 1/10W
			(C7900: E/C7900R: AEP, UK)	R258	1-216-065-00	RES, CHIP	4.7K 5% 1/10W
R103	1-216-075-00	METAL CHIP	12K 5% 1/10W	R259	1-216-190-00	RES, CHIP	470 5% 1/8W
			(C7900: US, Canadian)	R260	1-216-675-11	METAL CHIP	10K 0.5% 1/10W
R104	1-216-077-00	METAL CHIP	15K 5% 1/10W	R302	1-216-065-00	RES, CHIP	4.7K 5% 1/10W
			(C7900: US, Canadian)	R303	1-216-062-00	METAL CHIP	3.6K 5% 1/10W
				R304	1-216-033-00	METAL CHIP	220 5% 1/10W
				R305	1-216-081-00	METAL CHIP	22K 5% 1/10W

**MAIN**

Ref. No.	Part No.	Description	Remark	Ref. No.	Part No.	Description	Remark
R306	1-216-081-00	METAL CHIP	22K 5% 1/10W	R729	1-216-025-00	RES, CHIP	100 5% 1/10W
R307	1-216-033-00	METAL CHIP	220 5% 1/10W	R730	1-216-025-00	RES, CHIP	100 5% 1/10W
R308	1-216-065-00	METAL CHIP	4.7K 5% 1/10W	R731	1-216-025-00	RES, CHIP	100 5% 1/10W
R309	1-216-065-00	METAL CHIP	4.7K 5% 1/10W	R732	1-216-025-00	RES, CHIP	100 5% 1/10W
R310	1-216-089-00	RES, CHIP	47K 5% 1/10W	R733	1-216-049-11	RES, CHIP	1K 5% 1/10W
R311	1-216-089-00	RES, CHIP	47K 5% 1/10W	R734	1-216-025-00	RES, CHIP	100 5% 1/10W
R312	1-216-075-00	METAL CHIP	12K 5% 1/10W	R735	1-216-033-00	RES, CHIP	220 5% 1/10W
R313	1-216-073-00	METAL CHIP	10K 5% 1/10W	R736	1-216-033-00	RES, CHIP	220 5% 1/10W
R402	1-216-065-00	RES, CHIP	4.7K 5% 1/10W	R737	1-216-025-00	RES, CHIP	100 5% 1/10W
R404	1-216-062-00	METAL CHIP	3.6K 5% 1/10W	R738	1-216-025-00	RES, CHIP	100 5% 1/10W
R405	1-216-033-00	METAL CHIP	220 5% 1/10W	R739	1-216-025-00	RES, CHIP	100 5% 1/10W
R406	1-216-081-00	METAL CHIP	22K 5% 1/10W	R740	1-216-025-00	RES, CHIP	100 5% 1/10W (C7900R)
R407	1-216-081-00	METAL CHIP	22K 5% 1/10W	R741	1-216-025-00	RES, CHIP	100 5% 1/10W
R408	1-216-033-00	METAL CHIP	220 5% 1/10W	R742	1-216-025-00	RES, CHIP	100 5% 1/10W
R409	1-216-065-00	METAL CHIP	4.7K 5% 1/10W	R743	1-216-025-00	RES, CHIP	100 5% 1/10W
R410	1-216-065-00	METAL CHIP	4.7K 5% 1/10W	R744	1-216-025-00	RES, CHIP	100 5% 1/10W
R411	1-216-089-00	RES, CHIP	47K 5% 1/10W	R745	1-216-025-00	RES, CHIP	100 5% 1/10W
R412	1-216-089-00	RES, CHIP	47K 5% 1/10W	R746	1-216-025-00	RES, CHIP	100 5% 1/10W
R413	1-216-073-00	METAL CHIP	10K 5% 1/10W	R747	1-216-025-00	RES, CHIP	100 5% 1/10W (C7900R)
R414	1-216-075-00	METAL CHIP	12K 5% 1/10W	R748	1-216-025-00	RES, CHIP	100 5% 1/10W (C7900R)
R500	1-216-049-11	RES, CHIP	1K 5% 1/10W	R749	1-216-025-00	RES, CHIP	100 5% 1/10W (C7900R)
R501	1-216-057-00	METAL CHIP	2.2K 5% 1/10W	R750	1-216-025-00	RES, CHIP	100 5% 1/10W
R502	1-216-073-00	METAL CHIP	10K 5% 1/10W	R751	1-216-025-00	RES, CHIP	100 5% 1/10W
R503	1-216-073-00	METAL CHIP	10K 5% 1/10W	R752	1-216-025-00	RES, CHIP	100 5% 1/10W
R504	1-216-073-00	METAL CHIP	10K 5% 1/10W	R753	1-216-025-00	RES, CHIP	100 5% 1/10W
R505	1-216-085-00	METAL CHIP	33K 5% 1/10W	R754	1-216-025-00	RES, CHIP	100 5% 1/10W
R506	1-216-073-00	METAL CHIP	10K 5% 1/10W	R755	1-216-025-00	RES, CHIP	100 5% 1/10W
R600	1-216-025-00	RES, CHIP	100 5% 1/10W	R757	1-216-025-00	RES, CHIP	100 5% 1/10W
R601	1-216-073-00	METAL CHIP	10K 5% 1/10W	R758	1-216-025-00	RES, CHIP	100 5% 1/10W
R602	1-216-097-00	RES, CHIP	100K 5% 1/10W	R759	1-216-025-00	RES, CHIP	100 5% 1/10W
R603	1-216-150-00	RES, CHIP	10 5% 1/8W	R760	1-216-025-00	RES, CHIP	100 5% 1/10W
R700	1-216-073-00	METAL CHIP	10K 5% 1/10W	R761	1-216-025-00	RES, CHIP	100 5% 1/10W
R701	1-216-073-00	METAL CHIP	10K 5% 1/10W	R762	1-216-025-00	RES, CHIP	100 5% 1/10W
R702	1-216-037-00	METAL CHIP	330 5% 1/10W	R763	1-216-025-00	RES, CHIP	100 5% 1/10W
R703	1-216-049-11	RES, CHIP	1K 5% 1/10W	R764	1-216-025-00	RES, CHIP	100 5% 1/10W
R705	1-216-295-00	SHORT	0	R770	1-216-097-00	RES, CHIP	100K 5% 1/10W
R706	1-216-097-00	RES, CHIP	100K 5% 1/10W	R771	1-216-097-00	RES, CHIP	100K 5% 1/10W
R708	1-216-295-00	SHORT	0	R772	1-216-061-00	METAL CHIP	3.3K 5% 1/10W (C7900R)
R709	1-216-089-00	RES, CHIP	47K 5% 1/10W	R773	1-216-061-00	METAL CHIP	3.3K 5% 1/10W (C7900R)
R711	1-216-295-00	SHORT	0	R774	1-216-097-00	RES, CHIP	100K 5% 1/10W
R712	1-216-037-00	METAL CHIP	330 5% 1/10W	R775	1-216-097-00	RES, CHIP	100K 5% 1/10W
R713	1-216-097-00	RES, CHIP	100K 5% 1/10W	R777	1-216-097-00	RES, CHIP	100K 5% 1/10W
R714	1-216-097-00	RES, CHIP	100K 5% 1/10W	R780	1-216-097-00	RES, CHIP	100K 5% 1/10W (C7900: US, Canadian)
R715	1-216-025-00	RES, CHIP	100 5% 1/10W	R781	1-216-097-00	RES, CHIP	100K 5% 1/10W (C7900: E/C7900R)
R716	1-216-025-00	RES, CHIP	100 5% 1/10W	R782	1-216-097-00	RES, CHIP	100K 5% 1/10W (C7900: E)
R717	1-216-025-00	RES, CHIP	100 5% 1/10W	R783	1-216-097-00	RES, CHIP	100K 5% 1/10W (C7900: US, Canadian/C7900R)
R718	1-216-025-00	RES, CHIP	100 5% 1/10W	R800	1-216-113-00	METAL CHIP	470K 5% 1/10W
R719	1-216-025-00	RES, CHIP	100 5% 1/10W	R801	1-216-097-00	RES, CHIP	100K 5% 1/10W
R720	1-216-025-00	RES, CHIP	100 5% 1/10W	R897	1-216-001-00	RES, CHIP	10 5% 1/10W (C7900R)
R721	1-216-025-00	RES, CHIP	100 5% 1/10W	R900	1-216-222-00	RES, CHIP	10K 5% 1/8W
R722	1-216-025-00	RES, CHIP	100 5% 1/10W				
R723	1-216-025-00	RES, CHIP	100 5% 1/10W				
R724	1-216-025-00	RES, CHIP	100 5% 1/10W				
R725	1-216-025-00	RES, CHIP	100 5% 1/10W				
R726	1-216-025-00	RES, CHIP	100 5% 1/10W				
R727	1-216-049-11	RES, CHIP	1K 5% 1/10W				
R728	1-216-049-11	RES, CHIP	1K 5% 1/10W				



Ref. No.	Part No.	Description	Remark	Ref. No.	Part No.	Description	Remark
R901	1-216-089-00	RES, CHIP	47K 5% 1/10W	X701	1-579-886-21	VIBRATOR, CRYSTAL (32kHz)	
R902	1-216-089-00	RES, CHIP	47K 5% 1/10W	*****			
R903	1-216-675-11	METAL CHIP	10K 0.5% 1/10W				
R904	1-216-675-11	METAL CHIP	10K 0.5% 1/10W	*	A-3313-612-A	SERVO BOARD, COMPLETE	
R905	1-216-073-00	METAL CHIP	10K 5% 1/10W	*****			
R906	1-216-067-00	METAL CHIP	5.6K 5% 1/10W	< CAPACITOR >			
R907	1-216-037-00	METAL CHIP	330 5% 1/10W	C301	1-107-826-11	CERAMIC CHIP 0.1uF	10% 16V
R908	1-216-037-00	METAL CHIP	330 5% 1/10W	C302	1-107-826-11	CERAMIC CHIP 0.1uF	10% 16V
R909	1-216-298-00	METAL CHIP	2.2 5% 1/10W	C303	1-162-927-11	CERAMIC CHIP 100PF	5% 50V
R910	1-216-298-00	METAL CHIP	2.2 5% 1/10W	C305	1-162-970-11	CERAMIC CHIP 0.01uF	10% 25V
R911	1-216-298-00	METAL CHIP	2.2 5% 1/10W	C306	1-107-823-11	CERAMIC CHIP 0.47uF	10% 16V
R912	1-216-298-00	METAL CHIP	2.2 5% 1/10W	C307	1-107-826-11	CERAMIC CHIP 0.1uF	10% 16V
R913	1-216-025-00	RES, CHIP	100 5% 1/10W	C308	1-162-927-11	CERAMIC CHIP 100PF	5% 50V
R914	1-216-025-00	RES, CHIP	100 5% 1/10W	C309	1-162-968-11	CERAMIC CHIP 0.0047uF	10% 50V
R915	1-216-025-00	RES, CHIP	100 5% 1/10W	C310	1-107-823-11	CERAMIC CHIP 0.47uF	10% 16V
R916	1-216-097-00	RES, CHIP	100K 5% 1/10W	C311	1-164-245-11	CERAMIC CHIP 0.015uF	10% 25V
R917	1-216-097-00	RES, CHIP	100K 5% 1/10W	C314	1-107-826-11	CERAMIC CHIP 0.1uF	10% 16V
R918	1-216-675-11	METAL CHIP	10K 0.5% 1/10W	C315	1-109-982-11	CERAMIC CHIP 1uF	10% 10V
R919	1-216-675-11	METAL CHIP	10K 0.5% 1/10W	C316	1-107-826-11	CERAMIC CHIP 0.1uF	10% 16V
R920	1-216-025-00	RES, CHIP	100 5% 1/10W	C317	1-107-826-11	CERAMIC CHIP 0.1uF	10% 16V
R921	1-216-025-00	RES, CHIP	100 5% 1/10W	C318	1-104-852-11	TANTAL. CHIP 22uF	20% 6.3V
R924	1-216-295-00	SHORT	0 (Type B)	C319	1-104-852-11	TANTAL. CHIP 22uF	20% 6.3V
R930	1-216-073-00	METAL CHIP	10K 5% 1/10W	C320	1-164-227-11	CERAMIC CHIP 0.022uF	10% 25V
R981	1-216-121-00	METAL CHIP	1M 5% 1/10W	C321	1-162-969-11	CERAMIC CHIP 0.0068uF	10% 25V
R990	1-216-198-00	METAL CHIP	1K 5% 1/8W	C322	1-162-964-11	CERAMIC CHIP 0.001uF	10% 50V
R991	1-216-097-00	METAL CHIP	100K 5% 1/10W	C324	1-107-826-11	CERAMIC CHIP 0.1uF	10% 16V
R992	1-216-097-00	METAL CHIP	100K 5% 1/10W	C325	1-110-563-11	CERAMIC CHIP 0.068uF	10% 16V
R993	1-216-097-00	METAL CHIP	100K 5% 1/10W	C326	1-162-968-11	CERAMIC CHIP 0.0047uF	10% 50V
R994	1-216-097-00	METAL CHIP	100K 5% 1/10W	C327	1-109-982-11	CERAMIC CHIP 1uF	10% 10V
R995	1-216-057-00	METAL CHIP	2.2K 5% 1/10W	C328	1-115-467-11	CERAMIC CHIP 0.22uF	10% 10V
R996	1-216-097-00	METAL CHIP	100K 5% 1/10W	C329	1-164-227-11	CERAMIC CHIP 0.022uF	10% 25V
R997	1-216-295-00	SHORT	0 (C7900R)	C330	1-162-970-11	CERAMIC CHIP 0.01uF	10% 25V
R999	1-216-061-00	METAL CHIP	3.3K 5% 1/10W	C331	1-107-826-11	CERAMIC CHIP 0.1uF	10% 16V
< CONPOSITION CIRCUIT BLOCK >				C333	1-107-826-11	CERAMIC CHIP 0.1uF	10% 16V
RB900	1-233-412-11	RES, CHIP NETWORK 1.0K (3216)		C334	1-164-004-11	CERAMIC CHIP 0.1uF	10% 25V
RB901	1-233-412-11	RES, CHIP NETWORK 1.0K (3216)		C335	1-164-004-11	CERAMIC CHIP 0.1uF	10% 25V
< VARIABLE RESISTOR >				C336	1-162-970-11	CERAMIC CHIP 0.01uF	10% 25V
RV1	1-223-591-11	RES, ADJ, CARBON 470K		C337	1-164-004-11	CERAMIC CHIP 0.1uF	10% 25V
< SWITCH >				C338	1-164-004-11	CERAMIC CHIP 0.1uF	10% 25V
S700	1-572-552-21	SWITCH, SLIDE (POWER SELECT)		C339	1-162-970-11	CERAMIC CHIP 0.01uF	10% 25V
S701	1-572-552-21	SWITCH, SLIDE (FREQUENCY SELECT)	(C7900: E)	C340	1-162-918-11	CERAMIC CHIP 18PF	5% 50V
S900	1-692-431-21	SWITCH, TACTILE (RESET)		C341	1-162-918-11	CERAMIC CHIP 18PF	5% 50V
< THERMISTOR >				C342	1-162-970-11	CERAMIC CHIP 0.01uF	10% 25V
TH600	1-801-792-21	THERMISTOR, POSITIVE		C343	1-162-970-11	CERAMIC CHIP 0.01uF	10% 25V
< TUNER >				C344	1-104-852-11	TANTAL. CHIP 22uF	20% 6.3V
TU1	A-3282-029-A	TUNER UNIT TUX-006/2 (E)		C345	1-162-970-11	CERAMIC CHIP 0.01uF	10% 25V
< VIBRATOR >				C346	1-104-852-11	TANTAL. CHIP 22uF	20% 6.3V
X1	1-760-838-21	VIBRATOR, CRYSTAL (7.2MHz)		C347	1-162-970-11	CERAMIC CHIP 0.01uF	10% 25V
X2	1-579-242-11	VIBRATOR, CRYSTAL (4.332MHz)(C7900R)		C348	1-107-826-11	CERAMIC CHIP 0.1uF	10% 16V
X700	1-767-833-21	VIBRATOR, CERAMIC (3.68MHz)		C349	1-107-826-11	CERAMIC CHIP 0.1uF	10% 16V
				C350	1-107-826-11	CERAMIC CHIP 0.1uF	10% 16V
				C351	1-104-852-11	TANTAL. CHIP 22uF	20% 10V
				C352	1-107-826-11	CERAMIC CHIP 0.1uF	10% 16V
				C353	1-107-826-11	CERAMIC CHIP 0.1uF	10% 16V
				C356	1-162-927-11	CERAMIC CHIP 100PF	5% 50V
				C357	1-162-927-11	CERAMIC CHIP 100PF	5% 50V
				C358	1-162-927-11	CERAMIC CHIP 100PF	5% 50V

# SERVO

Ref. No.	Part No.	Description	Remark	Ref. No.	Part No.	Description	Remark
C359	1-162-923-11	CERAMIC CHIP 47PF	5%	50V	Q402	8-729-106-60	TRANSISTOR 2SB1115A
C361	1-135-259-11	TANTAL. CHIP 10uF	20%	6.3V	Q403	8-729-421-22	TRANSISTOR UN2211
C362	1-107-826-11	CERAMIC CHIP 0.1uF	10%	16V			
C402	1-162-970-11	CERAMIC CHIP 0.01uF	10%	25V		< RESISTOR >	
C403	1-107-826-11	CERAMIC CHIP 0.1uF	10%	16V	R301	1-216-809-11	METAL CHIP 100 5% 1/16W
C501	1-162-927-11	CERAMIC CHIP 100PF	5%	50V	R302	1-216-809-11	METAL CHIP 100 5% 1/16W
C503	1-107-826-11	CERAMIC CHIP 0.1uF	10%	16V	R303	1-216-809-11	METAL CHIP 100 5% 1/16W
C504	1-107-826-11	CERAMIC CHIP 0.1uF	10%	16V	R304	1-216-809-11	METAL CHIP 100 5% 1/16W
C505	1-107-826-11	CERAMIC CHIP 0.1uF	10%	16V	R305	1-216-809-11	METAL CHIP 100 5% 1/16W
C506	1-104-852-11	TANTAL. CHIP 22uF	20%	10V	R306	1-216-809-11	METAL CHIP 100 5% 1/16W
C510	1-115-467-11	CERAMIC CHIP 0.22uF	10%	10V	R307	1-216-809-11	METAL CHIP 100 5% 1/16W
C511	1-107-826-11	CERAMIC CHIP 0.1uF	10%	16V	R308	1-216-809-11	METAL CHIP 100 5% 1/16W
C512	1-107-826-11	CERAMIC CHIP 0.1uF	10%	16V	R310	1-216-821-11	METAL CHIP 1K 5% 1/16W
C513	1-107-826-11	CERAMIC CHIP 0.1uF	10%	16V	R313	1-216-825-11	METAL CHIP 2.2K 5% 1/16W
C514	1-115-467-11	CERAMIC CHIP 0.22uF	10%	10V	R314	1-216-821-11	METAL CHIP 1K 5% 1/16W
C515	1-107-826-11	CERAMIC CHIP 0.1uF	10%	16V	R315	1-216-809-11	METAL CHIP 100 5% 1/16W
C516	1-107-826-11	CERAMIC CHIP 0.1uF	10%	16V	R318	1-216-833-11	METAL CHIP 10K 5% 1/16W
		< CONNECTOR >			R319	1-216-845-11	METAL CHIP 100K 5% 1/16W
CN101	1-779-389-21	HOUSING,CONNECTOR(PC BOARD)30P			R320	1-216-855-11	METAL CHIP 680K 5% 1/16W
CN102	1-573-929-11	CONNECTOR, FFC/FPC (ZIF) 20P			R324	1-216-827-11	METAL CHIP 3.3K 5% 1/16W
CN103	1-764-439-21	CONNECTOR, FPC 11P			R325	1-216-821-11	METAL CHIP 1K 5% 1/16W
		< DIODE >			R327	1-216-821-11	METAL CHIP 1K 5% 1/16W
D401	8-719-157-93	DIODE RD3.OSB2			R328	1-216-811-11	METAL CHIP 150 5% 1/16W
D501	8-719-988-62	DIODE 1SS355			R329	1-216-819-11	METAL CHIP 680 5% 1/16W
		< FERRITE BEAD >			R330	1-216-853-11	METAL CHIP 470K 5% 1/16W
FB301	1-414-235-11	INDUCTOR CHIP 0uH			R331	1-216-809-11	METAL CHIP 100 5% 1/16W
FB302	1-414-385-11	INDUCTOR CHIP 0uH			R332	1-216-809-11	METAL CHIP 100 5% 1/16W
		< IC >			R333	1-216-819-11	METAL CHIP 680 5% 1/16W
IC301	8-752-384-47	IC CXD2652AR			R334	1-216-809-11	METAL CHIP 100 5% 1/16W
IC302	8-752-074-77	IC CXA2523R			R335	1-216-815-11	METAL CHIP 330 5% 1/16W
IC303	8-759-430-25	IC BH6511FS-E2			R336	1-216-853-11	METAL CHIP 470K 5% 1/16W
IC304	8-759-096-87	IC TC7WU04FU(TE12R)			R337	1-216-853-11	METAL CHIP 470K 5% 1/16W
IC305	8-759-040-83	IC BA6287F			R338	1-216-833-11	METAL CHIP 10K 5% 1/16W
IC306	8-759-058-62	IC TC7S08FU(TE85R)			R339	1-216-827-11	METAL CHIP 3.3K 5% 1/16W
IC307	8-759-498-44	IC MSM51V4400-70TS-K			R340	1-216-843-11	METAL CHIP 68K 5% 1/16W
IC401	8-759-909-71	IC BA4558F			R341	1-216-837-11	METAL CHIP 22K 5% 1/16W
IC501	8-752-893-33	IC CXP84340-089Q			R342	1-216-833-11	METAL CHIP 10K 5% 1/16W
IC502	8-759-238-47	IC TC74HCT7007AF(EL)			R343	1-216-827-11	METAL CHIP 3.3K 5% 1/16W
IC503	8-759-238-47	IC TC74HCT7007AF(EL)			R344	1-216-833-11	METAL CHIP 10K 5% 1/16W
		< COIL >			R345	1-216-827-11	METAL CHIP 3.3K 5% 1/16W
L301	1-412-058-11	INDUCTOR CHIP 10uH			R346	1-216-841-11	METAL CHIP 47K 5% 1/16W
L302	1-412-058-11	INDUCTOR CHIP 10uH			R347	1-216-833-11	METAL CHIP 10K 5% 1/16W
L303	1-412-039-51	INDUCTOR CHIP 100uH			R348	1-218-708-11	METAL CHIP 4.7K 0.50% 1/16W
L304	1-412-039-51	INDUCTOR CHIP 100uH			R349	1-216-025-00	RES, CHIP 100 5% 1/10W
L305	1-412-039-51	INDUCTOR CHIP 100uH			R350	1-216-142-00	RES, CHIP 4.7 5% 1/8W
L306	1-412-039-51	INDUCTOR CHIP 100uH			R351	1-218-700-11	METAL CHIP 2.2K 0.50% 1/16W
L501	1-412-058-11	INDUCTOR CHIP 10uH			R352	1-218-700-11	METAL CHIP 2.2K 0.50% 1/16W
		< TRANSISTOR >			R353	1-218-700-11	METAL CHIP 2.2K 0.50% 1/16W
Q301	8-729-230-49	TRANSISTOR 2SC2712-YG			R354	1-216-857-11	METAL CHIP 1M 5% 1/16W
Q302	8-729-026-49	TRANSISTOR 2SA1037AK-T146-R			R355	1-216-833-11	METAL CHIP 10K 5% 1/16W
Q401	8-729-920-85	TRANSISTOR 2SD1664-QR			R356	1-216-833-11	METAL CHIP 10K 5% 1/16W
					R357	1-216-017-00	RES, CHIP 47 5% 1/10W
					R401	1-216-073-00	METAL CHIP 10K 5% 1/10W
					R402	1-216-065-00	RES, CHIP 4.7K 5% 1/10W
					R403	1-216-065-00	RES, CHIP 4.7K 5% 1/10W
					R404	1-216-809-11	METAL CHIP 100 5% 1/16W
					R405	1-218-692-11	METAL CHIP 1K 0.50% 1/16W
					R406	1-218-714-11	METAL CHIP 8.2K 0.50% 1/16W

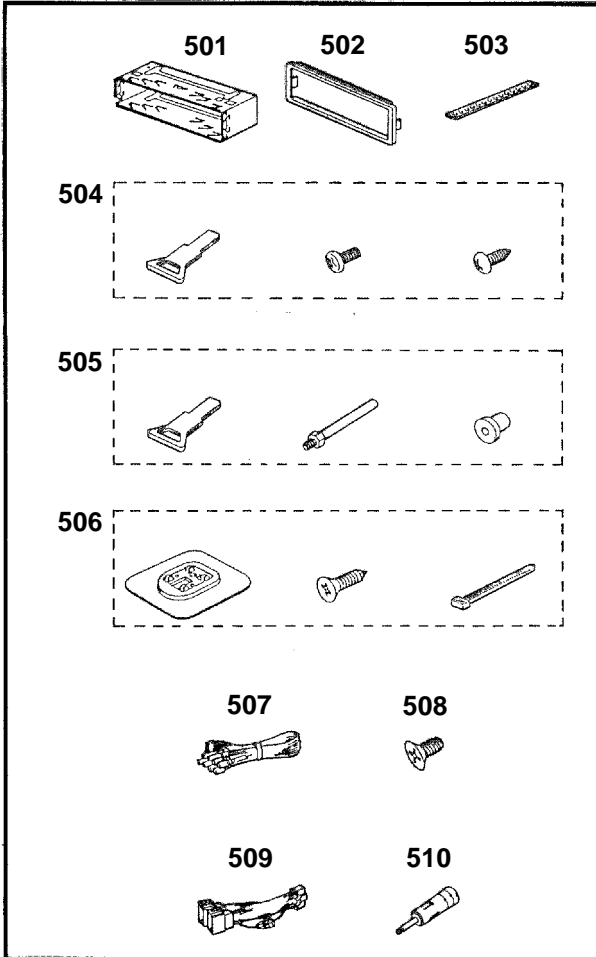
Ref. No.	Part No.	Description	Remark
R501	1-216-821-11	METAL CHIP	1K 5% 1/16W
R502	1-216-821-11	METAL CHIP	1K 5% 1/16W
R503	1-216-821-11	METAL CHIP	1K 5% 1/16W
R504	1-216-821-11	METAL CHIP	1K 5% 1/16W
R505	1-216-821-11	METAL CHIP	1K 5% 1/16W
R506	1-216-845-11	METAL CHIP	100K 5% 1/16W
R507	1-218-708-11	METAL CHIP	4.7K 0.50% 1/16W
R510	1-216-845-11	METAL CHIP	100K 5% 1/16W
R512	1-216-845-11	METAL CHIP	100K 5% 1/16W
R516	1-216-809-11	METAL CHIP	100 5% 1/16W
R517	1-216-809-11	METAL CHIP	100 5% 1/16W
R518	1-216-809-11	METAL CHIP	100 5% 1/16W
R519	1-216-809-11	METAL CHIP	100 5% 1/16W
R520	1-216-809-11	METAL CHIP	100 5% 1/16W
R521	1-216-809-11	METAL CHIP	100 5% 1/16W
R522	1-216-821-11	METAL CHIP	1K 5% 1/16W
R523	1-216-821-11	METAL CHIP	1K 5% 1/16W
R524	1-216-821-11	METAL CHIP	1K 5% 1/16W
R525	1-216-845-11	METAL CHIP	100K 5% 1/16W
R526	1-216-825-11	METAL CHIP	2.2K 5% 1/16W
R527	1-216-825-11	METAL CHIP	2.2K 5% 1/16W
R528	1-216-825-11	METAL CHIP	2.2K 5% 1/16W
R529	1-216-825-11	METAL CHIP	2.2K 5% 1/16W
R530	1-216-825-11	METAL CHIP	2.2K 5% 1/16W
R531	1-216-845-11	METAL CHIP	100K 5% 1/16W
R532	1-216-864-11	METAL CHIP	0 5% 1/16W
R533	1-216-845-11	METAL CHIP	100K 5% 1/16W
R534	1-216-845-11	METAL CHIP	100K 5% 1/16W
R535	1-216-845-11	METAL CHIP	100K 5% 1/16W
R536	1-216-864-11	METAL CHIP	0 5% 1/16W
R537	1-216-809-11	METAL CHIP	100 5% 1/16W
R538	1-216-845-11	METAL CHIP	100K 5% 1/16W
R540	1-216-845-11	METAL CHIP	100K 5% 1/16W
R542	1-216-845-11	METAL CHIP	100K 5% 1/16W
R545	1-216-864-11	METAL CHIP	0 5% 1/16W
< CONPOSITION CIRCUIT BLOCK >			
RB301	1-233-576-11	RES. CHIP NETWORK 100	
RB302	1-233-576-11	RES. CHIP NETWORK 100	
RB503	1-233-412-11	RES. CHIP NETWORK 1.0K (3216)	
< THERMISTOR >			
TH501	1-810-421-11	THERMISTOR NTH5G36B103K01TE	
< VIBRATOR >			
X301	1-767-429-21	VIBRATOR, CRYSTAL (22.5792MHz)	
X501	1-760-365-11	VIBRATOR, CERAMIC (10MHz)	
*****			
MISCELLANEOUS			
*****			
13	1-776-207-71	CORD (WITH CONNECTOR) (POWER) (C7900)	
13	1-776-527-71	CORD (WITH CONNECTOR) (ISO) (POWER) (C7900R)	
151	1-654-693-11	SENSOR FLEXIBLE BOARD	
△ 169	8-583-037-02	OPTICAL PICK-UP KMS-241A/J2RP	
F1	1-532-877-11	FUSE (BLADE TYPE) (AUTO FUSE) (10A)	

Ref. No.	Part No.	Description	Remark
M901	A-3301-407-A	MOTOR ASSY, SP (SPINDLE)	
M902	A-3291-190-A	MOTOR ASSY, SL (SLED)	
M903	A-3291-191-A	MOTOR ASSY, LO (LOADING)	
*****			
*****			
HARDWARE LIST			
*****			
#1	7-621-772-10	SCREW +B 2X4	
#2	7-685-792-09	SCREW +PTT 2.6X6 (S)	
#3	7-685-794-09	SCREW +PTT 2.6X10 (S)	
#4	7-685-106-19	SCREW +P 2X10 TYPE2 NON-SLIT	
#5	7-685-851-04	SCREW +BVTT 2X4 (S)	
#6	7-624-102-04	STOP RING 1.5, TYPE-E	
#7	7-627-852-37	PRECISION SCREW +P 1.7X1.8 TYPE3	
#8	7-621-772-08	SCREW +B 2X3	
#9	7-621-555-10	SCREW +K 2X3	
#10	7-627-554-07	SCREW,PRECISION +P 2X2.2	
*****			
ACCESSORIES & PACKING MATERIALS			
*****			
1-473-067-71	REMOTE COMMANDER (RM-X4S)		
3-012-070-01	LABEL (SOUND) (2) (for RM-X4S)		
X-3373-617-1	CASE ASSY (for FRONT PANEL)		
3-862-552-11	MANUAL, INSTRUCTION (ENGLISH, SPANISH, CHINESE) (C7900: E)		
3-862-552-21	MANUAL, INSTRUCTION (ENGLISH, SPANISH, SWEDISH, PORTUGUESE) (C7900R: AEP, UK)		
3-862-552-31	MANUAL, INSTRUCTION (FRENCH, GERMAN, DUTCH, ITALIAN) (C7900R: AEP)		
3-862-552-41	MANUAL, INSTRUCTION (GERMAN) (C7900R: German)		
3-862-552-51	MANUAL, INSTRUCTION (ENGLISH) (C7900: US, Canadian)		
3-862-552-61	MANUAL, INSTRUCTION (FRENCH) (C7900: Canadian)		
3-862-553-11	MANUAL, INSTRUCTION, INSTALL (ENGLISH, SPANISH, CHINESE) (C7900: E)		
3-862-553-21	MANUAL, INSTRUCTION, INSTALL (ENGLISH, SPANISH, SWEDISH, PORTUGUESE) (C7900R: AEP, UK)		
3-862-553-31	MANUAL, INSTRUCTION, INSTALL (FRENCH, GERMAN, DUTCH, ITALIAN) (C7900R: AEP, German)		
3-862-553-41	MANUAL, INSTRUCTION, INSTALL (ENGLISH, FRENCH) (C7900: US, Canadian)		
*****			
PARTS FOR INSTALLATION AND CONNECTIONS			
*****			
501	3-009-613-21	FRAME	
502	3-932-910-11	COLLAR (CDX)	
503	3-924-961-01	SUPPORT (ND), FITTING (C7900: US, Canadian)	
504	X-3370-076-1	SCREW ASSY (U.KEY), FITTING (C7900: US, Canadian)	
505	X-3370-077-1	SCREW ASSY (AE.KEY), FITTING (C7900: E/C7900R)	
506	X-3373-432-1	BRACKET ASSY (for RM-X4S)	

The components identified by mark $\Delta$ or dotted line with mark $\Delta$ are critical for safety. Replace only with part number specified.	Les composants identifiés par une marque $\Delta$ sont critiques pour la sécurité. Ne les remplacer que par une pièce portant le numéro spécifié.
--	---

# MDX-C7900/C7900R

Ref. No.	Part No.	Description	Remark
507	1-776-207-71	CORD (WITH CONNECTOR) (POWER) (C7900)	
508	3-934-325-01	SCREW, +K (5X8) TAPPING (C7900)	
509	1-776-527-71	CORD (WITH CONNECTOR) (ISO) (POWER)	(C7900R)
510	1-465-459-21	ADAPTER, ANTENNA (C7900R)	



MEMO

